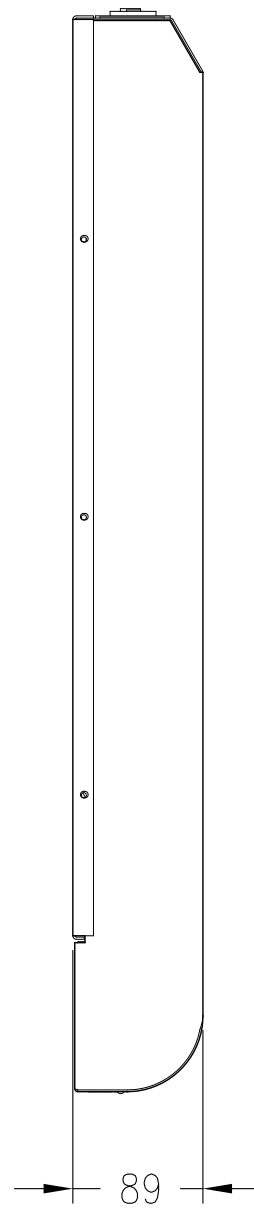
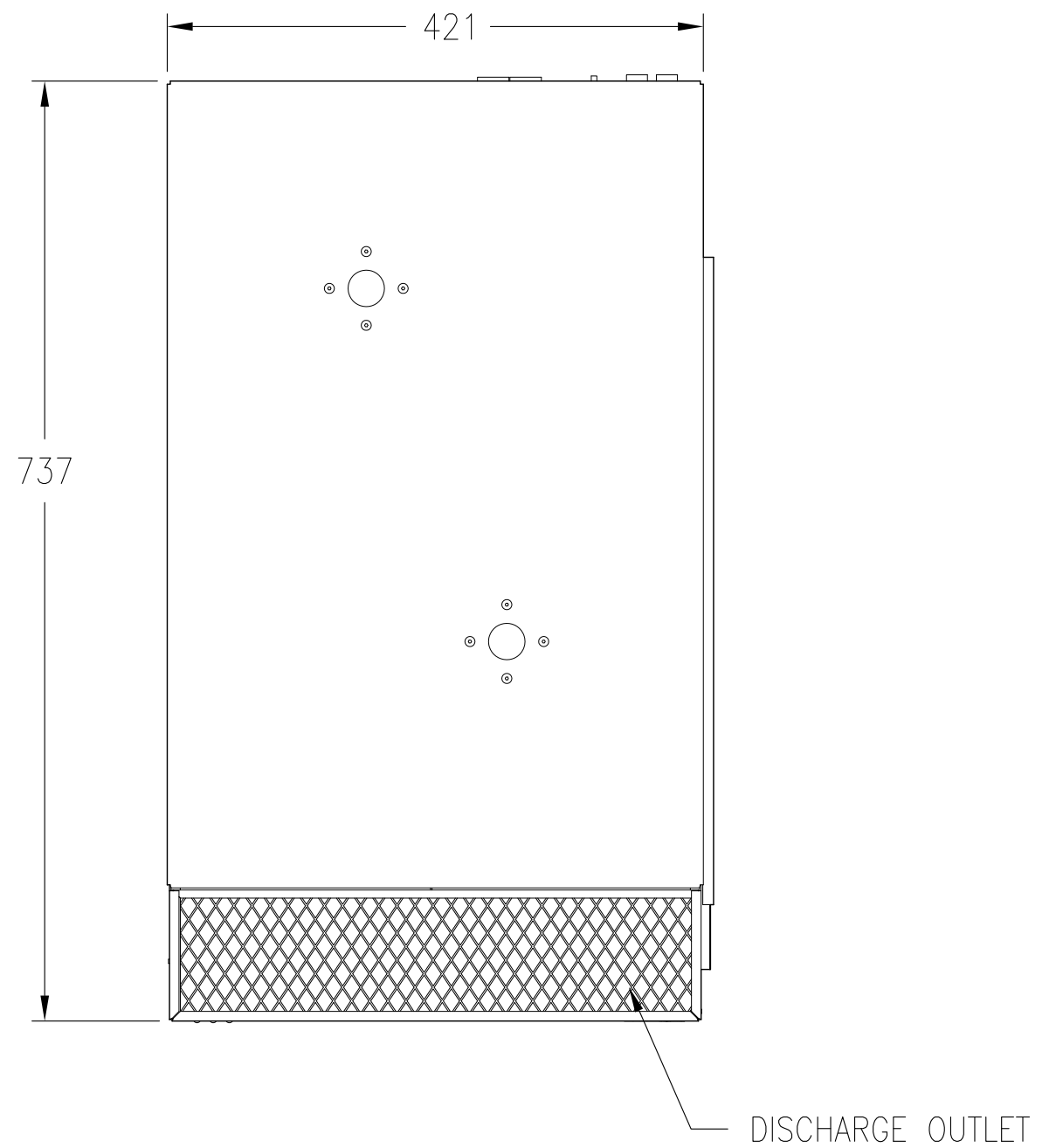


BOTTOM VIEW



SIDE VIEW



TOP VIEW

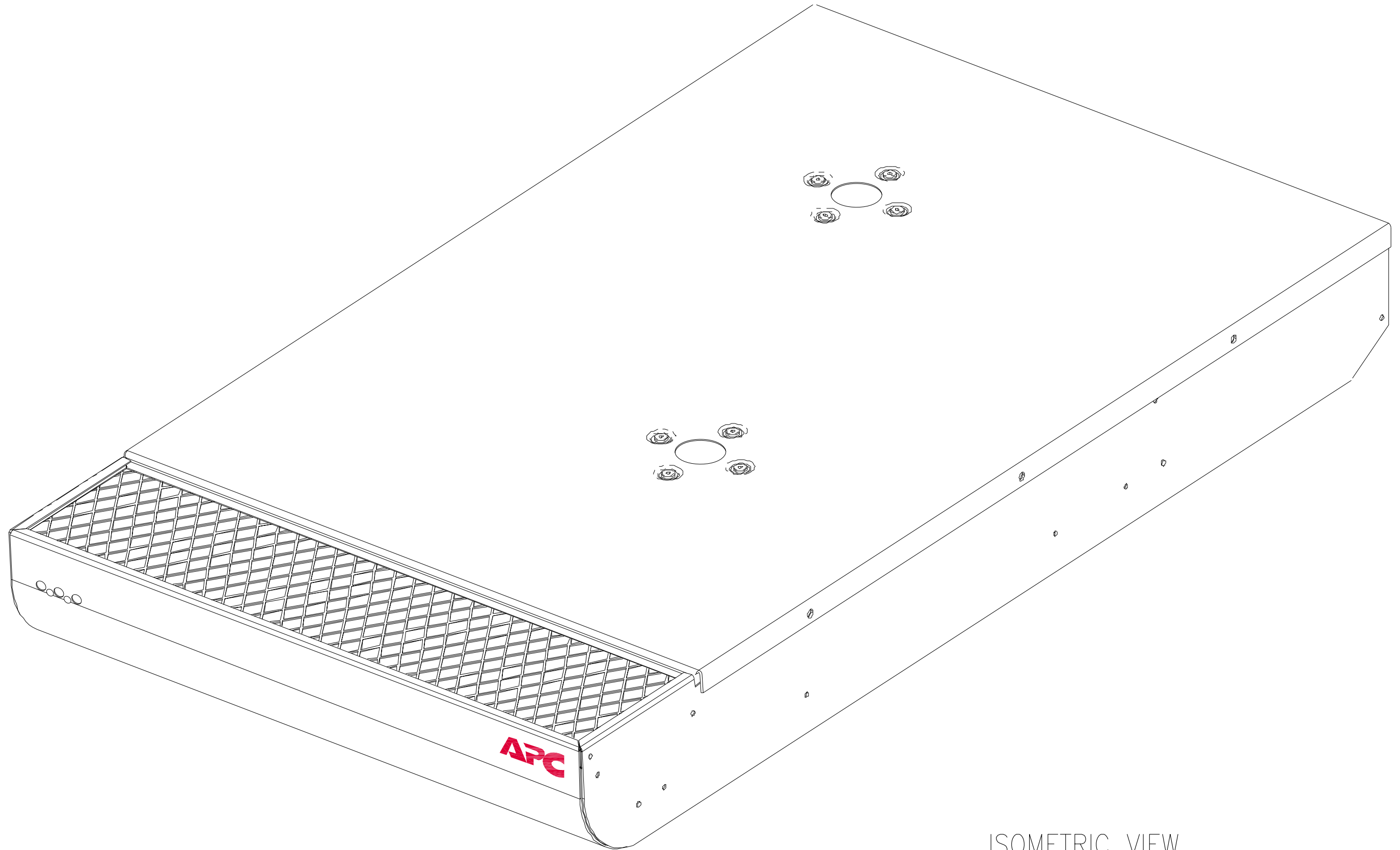
NOTES:

1. ALL DIMENSIONS ARE IN MILLIMETERS
2. NET WEIGHT OF UNIT IS 19kg
3. AIRFLOW:
NON-RAISED FLOOR – 579 m³/h
RAISED FLOOR – 714 m³/h (WHEN INSTALLED OVER STANDARD RAISED FLOOR @ 16.9 mbar.)
4. INSTALLATION SHALL COMPLY WITH NATIONAL AND LOCAL ELECTRICAL REGULATIONS.

THIS DRAWING AND SPECIFICATIONS HEREIN ARE THE PROPERTY OF SCHNEIDER ELECTRIC AND SHALL NOT BE COPIED, REPRODUCED OR USED IN WHOLE OR IN PART, AS THE BASIS FOR THE MANUFACTURE OR SALE OF ITEMS WITHOUT WRITTEN PERMISSION FROM SCHNEIDER ELECTRIC. THIS DRAWING IS BASED UPON LATEST AVAILABLE INFORMATION AND IS SUBJECT TO CHANGE WITHOUT NOTICE.



TITLE:	NetworkAir Product AIR DISTRIBUTION UNIT 230V, 50Hz	DWG NO:	ACF002-MM1	REV:	1
DRAWN BY:	NAGENDRA.K	DATE:	09/10/03	STATUS:	FIRST
ENGINEER:	C.LARSEN	DATE:	29/10/03	STATUS:	ANGLE
PROJECT:	STD PRODUCT DRAWINGS	SHEET:	1 OF 2	APPROVED BY:	B.STEINBERG
				DATE:	29/10/03
				STATUS:	PROJ



ISOMETRIC VIEW

THIS DRAWING AND SPECIFICATIONS HEREIN ARE THE PROPERTY OF SCHNEIDER ELECTRIC AND SHALL NOT BE COPIED, REPRODUCED OR USED IN WHOLE OR IN PART, AS THE BASIS FOR THE MANUFACTURE OR SALE OF ITEMS WITHOUT WRITTEN PERMISSION FROM SCHNEIDER ELECTRIC. THIS DRAWING IS BASED UPON LATEST AVAILABLE INFORMATION AND IS SUBJECT TO CHANGE WITHOUT NOTICE.



TITLE:	NetworkAir Product AIR DISTRIBUTION UNIT 230V, 50Hz	DWG NO:	ACF002-ISO	REV:	1
DRAWN BY:	NAGENDRA.K	09/10/03	FIRST		
ENGINEER:	C.LARSEN	29/10/03	ANGLE		
PROJECT: STD PRODUCT DRAWINGS	SHEET 2 OF 2	APPROVED BY:	B.STEINBERG	29/10/03	PROJ