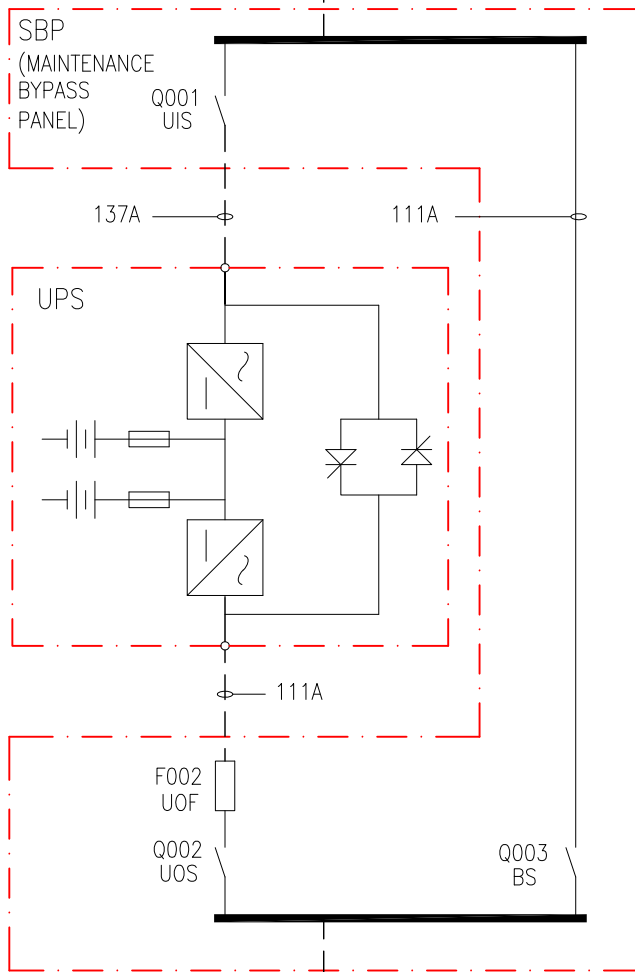


UTILITY SOURCE (PROVIDED BY OTHERS)
208V WYE 4 WIRE + EQUIPMENT GROUND

MIB
175A.T.

137A



UPS SYSTEM OUTPUT

40kW

208V 4 WIRE & EQUIPMENT GROUND

NOTES:

1. INSTALLATION SHALL COMPLY WITH ALL APPLICABLE NATIONAL, STATE AND LOCAL CODES.
2. REFER TO PRODUCT DOCUMENTATION FOR ADDITIONAL DETAILS PRIOR TO INSTALLATION AND SITE PREPARATION WORK.
3. -----= CABLING PROVIDED BY OTHERS.
4. F002 (INTERNAL OUTPUT FUSE) = 125A.
5. INPUT OVERCURRENT PROTECTION IS BASED ON 80% RATING, FOR ANY DEVIATION, CONTACT SCHNEIDER ELECTRIC.
6. ALL AC POWER CABLING ARE 4 WIRE+EQUIPMENT GROUND.
7. UPS OUTPUT CABLES AND INPUT CABLES MUST BE IN SEPARATE CONDUITS.
8. POWER WIRING AND CONTROL WIRING MUST BE IN SEPARATE CONDUITS.
9. FINAL SELECTIONS ARE RESPONSIBILITY OF ENGINEER OF RECORDS BASED ON INSTALLATION CONDITIONS AND SCC/SELECTIVE CO-ORDINATION/ARC-FLASH ANALYSIS.

THIS DRAWING AND SPECIFICATIONS HEREIN ARE THE PROPERTY OF SCHNEIDER ELECTRIC AND SHALL NOT BE COPIED, REPRODUCED OR USED IN WHOLE OR IN PART, AS THE BASIS FOR THE MANUFACTURE OR SALE OF ITEMS WITHOUT WRITTEN PERMISSION FROM SCHNEIDER ELECTRIC. THIS DRAWING IS BASED UPON LATEST AVAILABLE INFORMATION AND IS SUBJECT TO CHANGE WITHOUT NOTICE.



TITLE: Symmetra PX 40
Input: 208V AC 3PH SINGLE MAINS
Output: 208V AC 3PH 40kW
1 MODULE N+1 UPS WITH MAINTENANCE BYPASS PANEL
SYSTEM ONE LINE DIAGRAM

PROJECT: SUBMITTAL DRAWINGS SHEET 1 OF 9

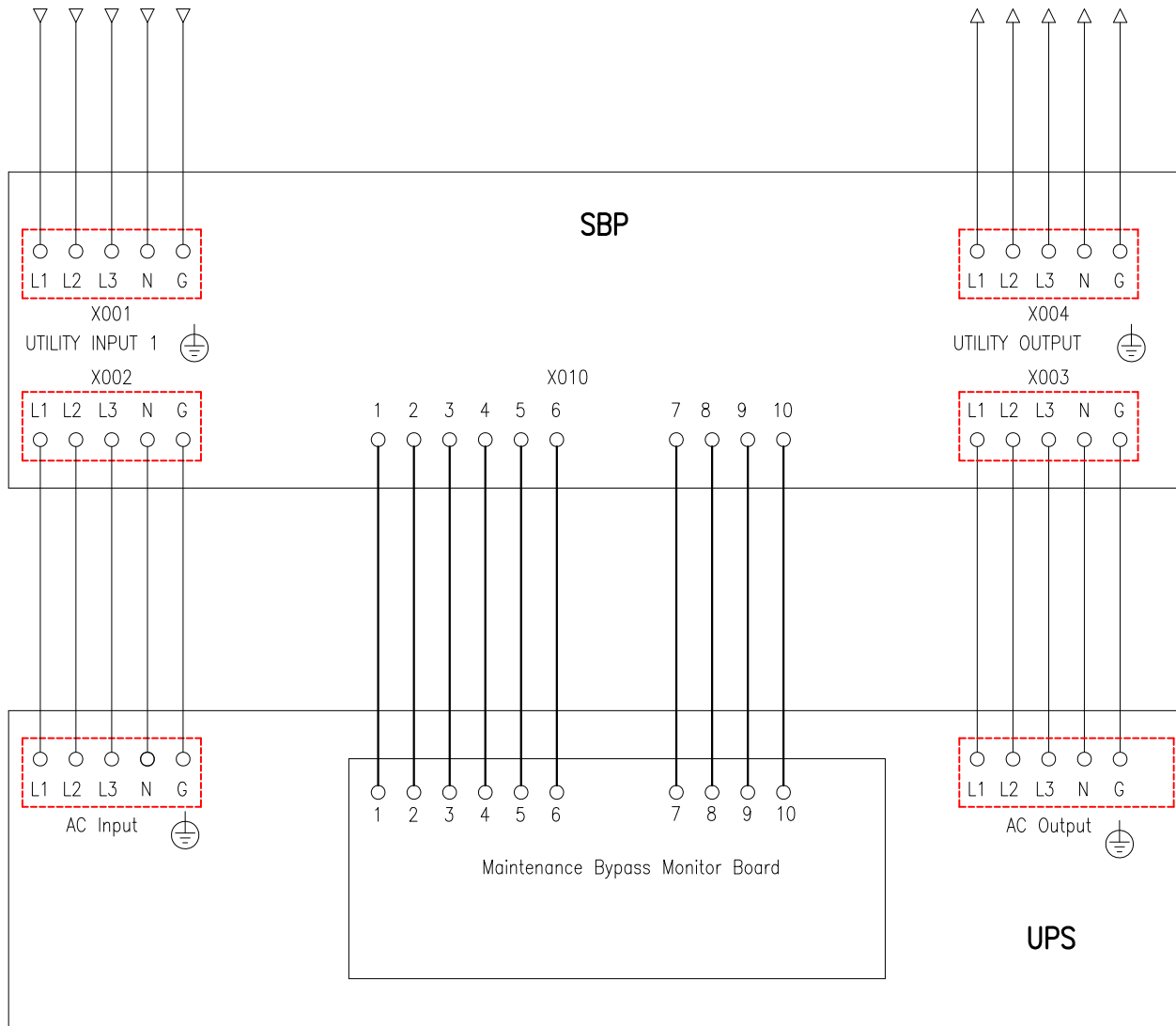
DWG NO: SYPX-40K40R2FF10SBP

DRAWN BY:	BALA	31-MAY-16	ANGLE
ENGINEER:	J RING	31-MAY-16	PROJECTION
APPROVED BY:	B S / E S	31-MAY-16	N.A.

REV. 4

UTILITY INPUT 208V WYE
4 WIRE
+ EQUIPMENT GROUND

SYSTEM OUTPUT 208V
4 WIRE
+ EQUIPMENT GROUND



NOTES:

1. INSTALLATION SHALL COMPLY WITH ALL APPLICABLE NATIONAL, STATE AND LOCAL CODES.
2. REFER TO PRODUCT DOCUMENTATION FOR ADDITIONAL DETAILS PRIOR TO INSTALLATION AND SITE PREPARATION WORK.
3. CABLING PROVIDED BY OTHERS.
4. ALL AC CABLING ARE 4 WIRE+EQUIPMENT GROUND.
5. POWER WIRING AND CONTROL WIRING MUST BE IN SEPARATE CONDUITS.

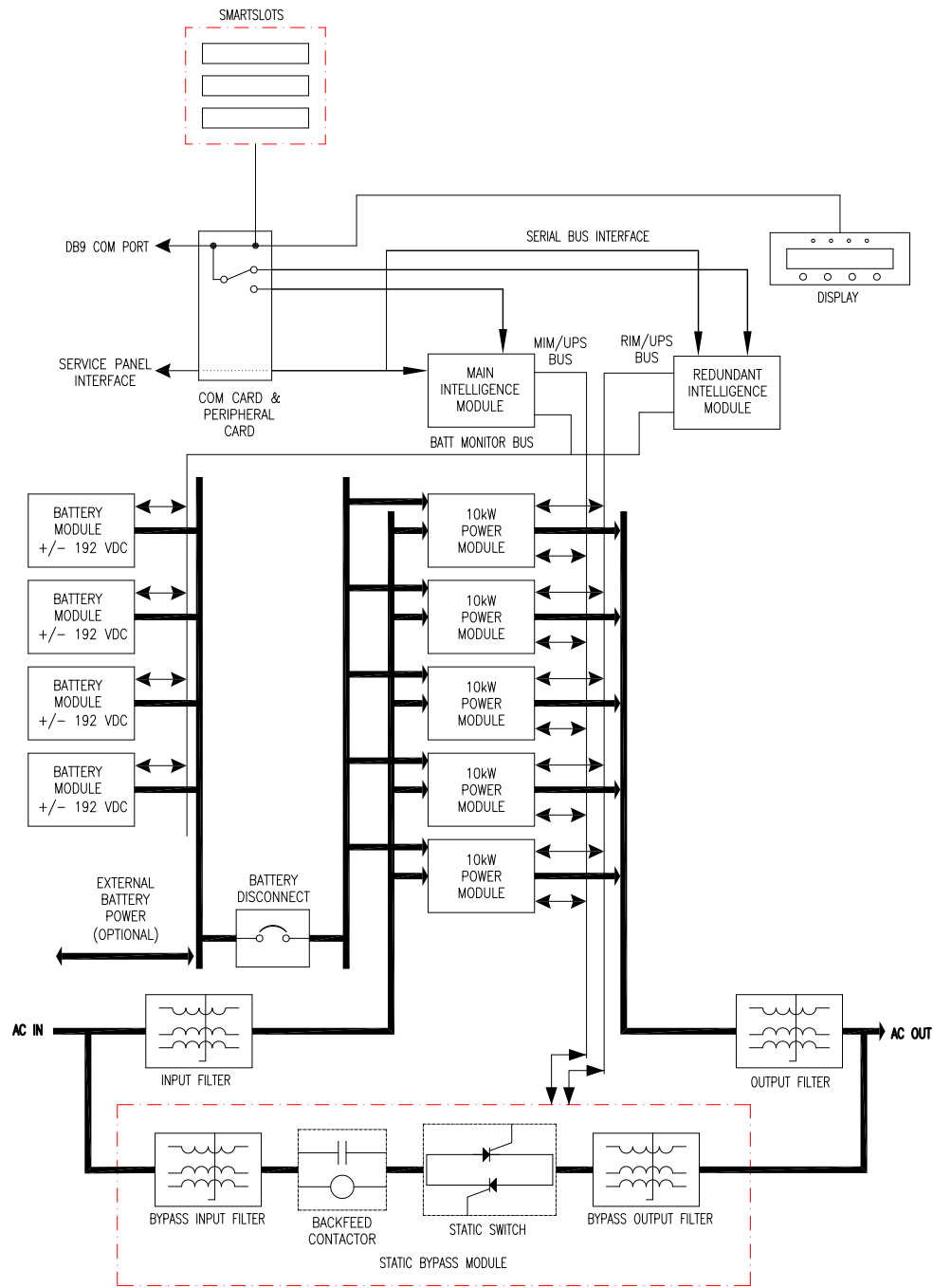
THIS DRAWING AND SPECIFICATIONS HEREIN ARE THE PROPERTY OF SCHNEIDER ELECTRIC AND SHALL NOT BE COPIED, REPRODUCED OR USED IN WHOLE OR IN PART, AS THE BASIS FOR THE MANUFACTURE OR SALE OF ITEMS WITHOUT WRITTEN PERMISSION FROM SCHNEIDER ELECTRIC. THIS DRAWING IS BASED UPON LATEST AVAILABLE INFORMATION AND IS SUBJECT TO CHANGE WITHOUT NOTICE.



TITLE: Symmetra PX 40
Input: 208V AC 3PH SINGLE MAINS
Output: 208V AC 3PH 40KW
1 MODULE N+1 UPS WITH MAINTENANCE BYPASS PANEL
SYSTEM WIRING DIAGRAM

PROJECT: SUBMITTAL DRAWINGS **SHEET 2 OF 9**

DWG NO: SYPX-40K40R2FF10SBP	REV. 4
DRAWN BY: BALA	31-MAY-16
ENGINEER: J RING	31-MAY-16
APPROVED BY: B S / E S	31-MAY-16
	ANGLE PROJECTION
	N.A.



- NOTES:**
1. INSTALLATION SHALL COMPLY WITH ALL APPLICABLE NATIONAL, STATE AND LOCAL CODES.
 2. REFER TO PRODUCT DOCUMENTATION FOR ADDITIONAL DETAILS PRIOR TO INSTALLATION AND SITE PREPARATION WORK.

THIS DRAWING AND SPECIFICATIONS HEREIN ARE THE PROPERTY OF SCHNEIDER ELECTRIC AND SHALL NOT BE COPIED, REPRODUCED OR USED IN WHOLE OR IN PART, AS THE BASIS FOR THE MANUFACTURE OR SALE OF ITEMS WITHOUT WRITTEN PERMISSION FROM SCHNEIDER ELECTRIC. THIS DRAWING IS BASED UPON LATEST AVAILABLE INFORMATION AND IS SUBJECT TO CHANGE WITHOUT NOTICE.



TITLE: Symmetra PX 40
 Input: 208V AC 3PH SINGLE MAINS
 Output: 208V AC 3PH 40kW
 1 MODULE N+1 UPS
 BLOCK DIAGRAM

PROJECT: SUBMITTAL DRAWINGS SHEET 3 OF 9

DWG NO: SYPX-40K40R2FF10SBP

DRAWN BY: BALA 31-MAY-16

ENGINEER: J RING 31-MAY-16

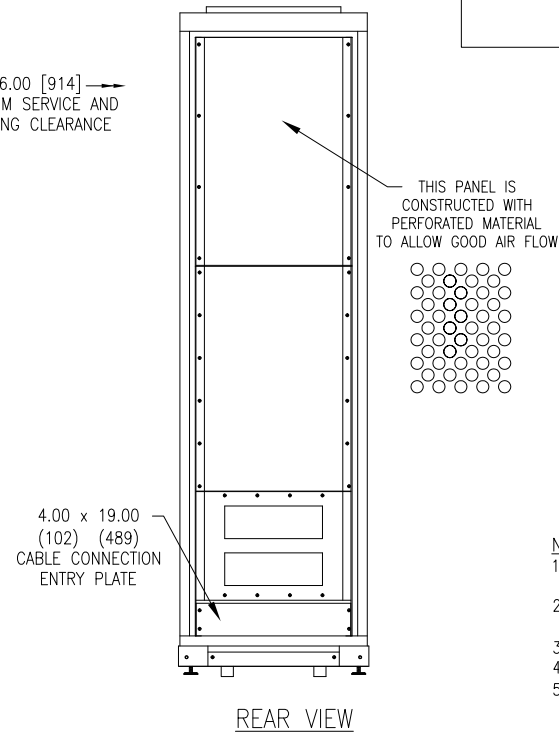
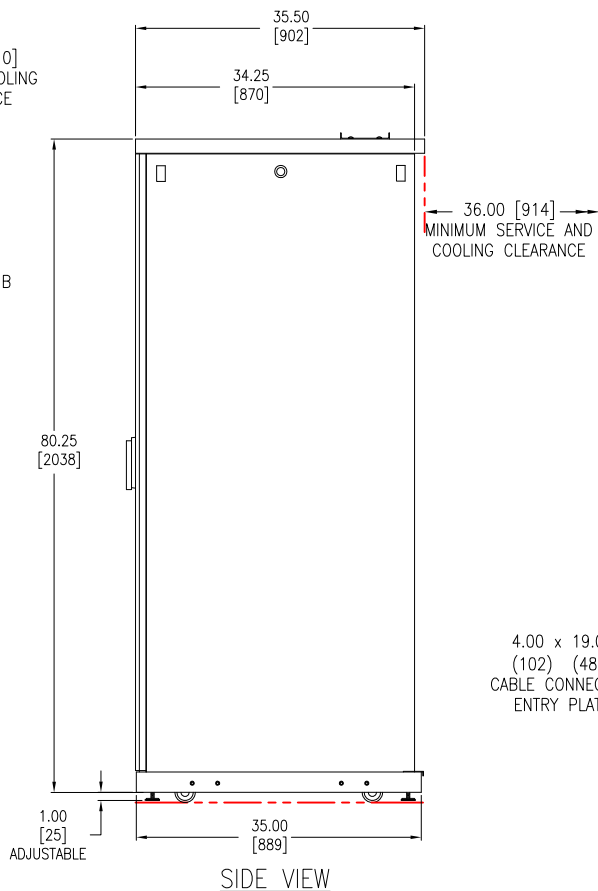
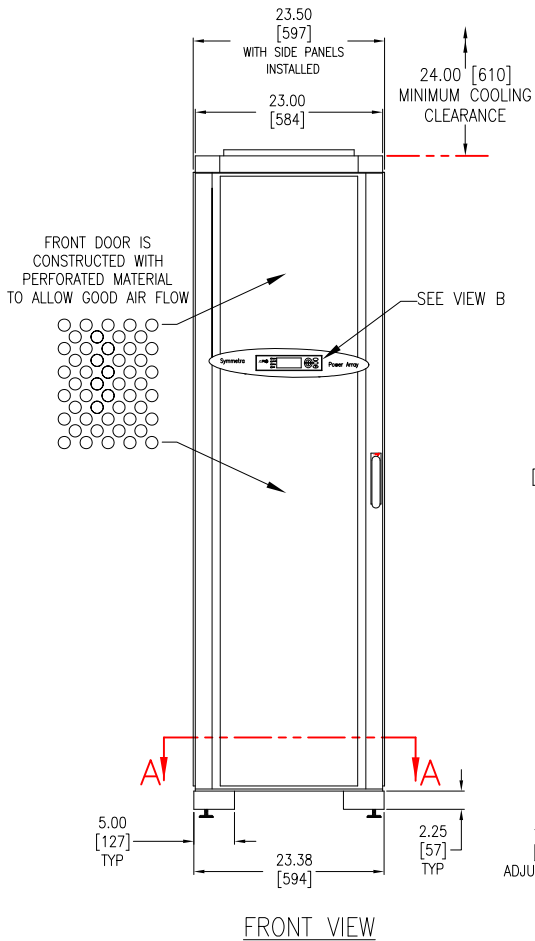
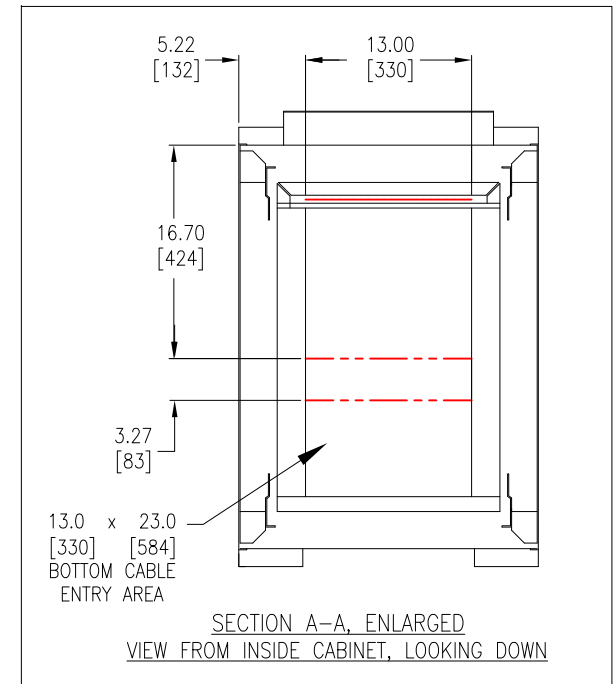
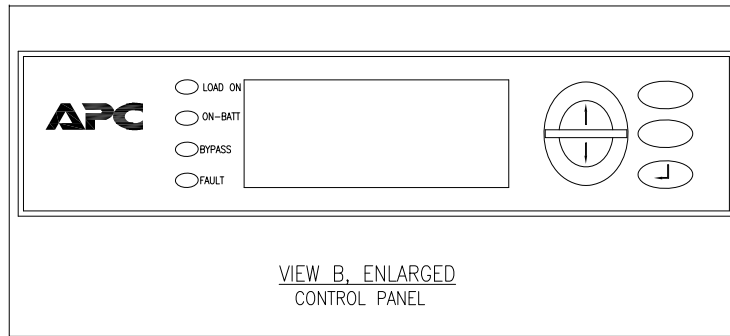
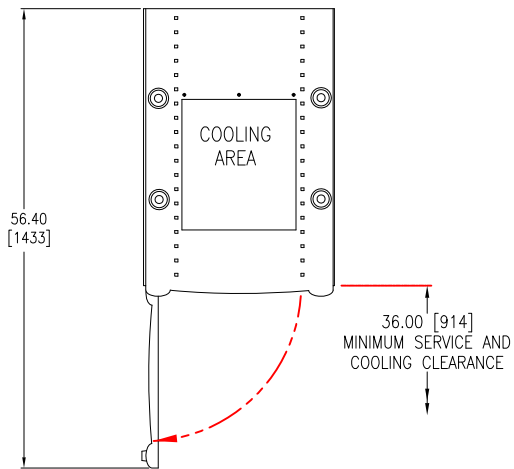
APPROVED BY: B S / E S 31-MAY-16

REV. 3

ANGLE

PROJECTION

N.A.



NOTES:

1. INSTALLATION SHALL COMPLY WITH ALL APPLICABLE NATIONAL, STATE AND LOCAL CODES.
2. REFER TO PRODUCT DOCUMENTATION FOR ADDITIONAL DETAILS PRIOR TO INSTALLATION AND SITE PREPARATION WORK.
3. ALL DIMENSIONS ARE IN INCHES [MILLIMETERS].
4. CABLE ENTRY IS BOTTOM OR LOWER BACK PANEL OF ENCLOSURE.
5. NET WEIGHT OF UNIT IS 1705 LBS (775 kg). SHIPPING WEIGHT OF UNIT IS 1808 LBS (822 kg)

THIS DRAWING AND SPECIFICATIONS HEREIN ARE THE PROPERTY OF SCHNEIDER ELECTRIC AND SHALL NOT BE COPIED, REPRODUCED OR USED IN WHOLE OR IN PART, AS THE BASIS FOR THE MANUFACTURE OR SALE OF ITEMS WITHOUT WRITTEN PERMISSION FROM SCHNEIDER ELECTRIC. THIS DRAWING IS BASED UPON LATEST AVAILABLE INFORMATION AND IS SUBJECT TO CHANGE WITHOUT NOTICE.

Schneider Electric

TITLE: Symmetra PX 40
Input: 208V AC 3PH SINGLE MAINS
Output: 208V AC 3PH 40kW
1 MODULE N+1 UPS
UPS MAIN MECHANICAL

DWG NO: SYPX-40K40R2FF10SBP

REV. 4

DRAWN BY: BALA 31-MAY-16

THIRD

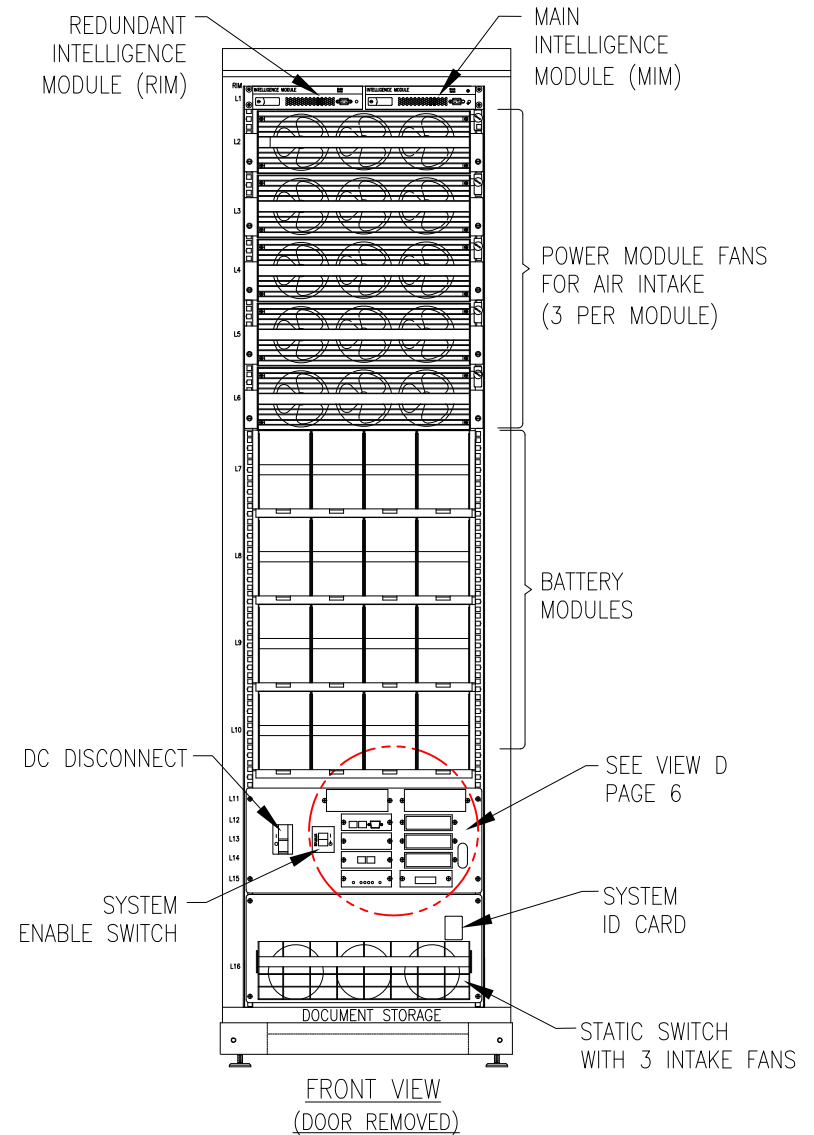
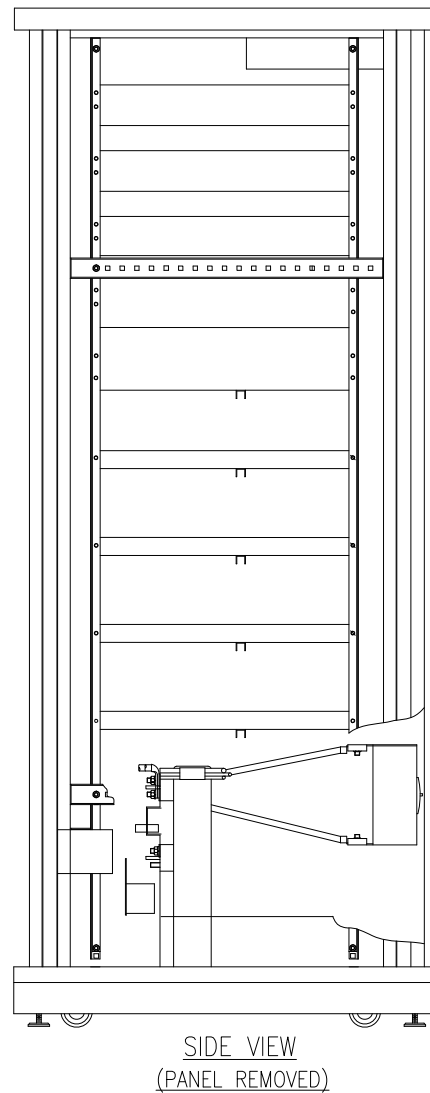
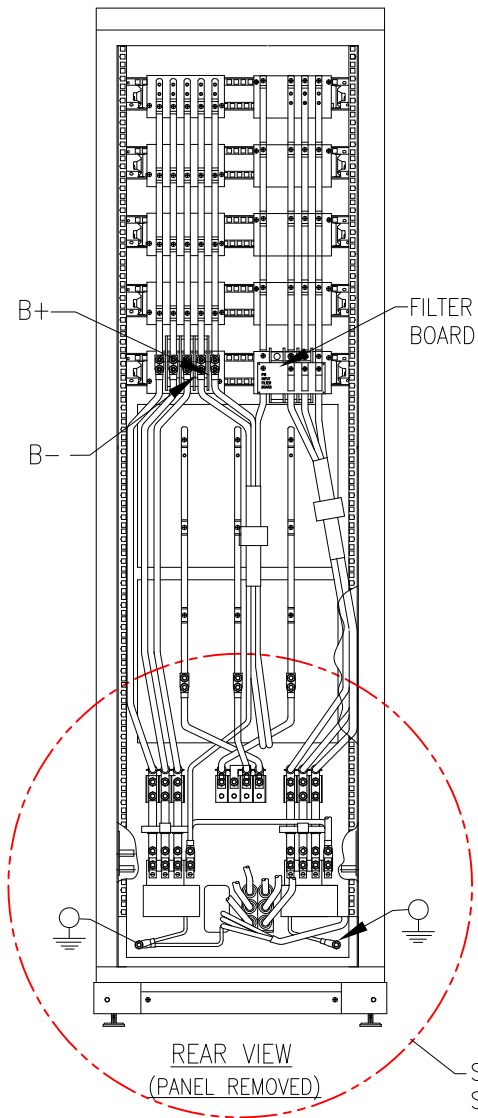
ENGINEER: J RING 31-MAY-16

ANGLE

PROJECT: SUBMITTAL DRAWINGS SHEET 4 OF 9

APPROVED BY: B S / E S 31-MAY-16

PROJECTION



NOTES:

1. INSTALLATION SHALL COMPLY WITH ALL APPLICABLE NATIONAL, STATE AND LOCAL CODES.
2. REFER TO PRODUCT DOCUMENTATION FOR ADDITIONAL DETAILS PRIOR TO INSTALLATION AND SITE PREPARATION WORK.
3. ALL DIMENSIONS ARE IN INCHES [MILLIMETERS].
4. CABLE ENTRY IS FROM BOTTOM OR LOWER BACK OF UNIT.
5. CABINET SHOWN IS WITHOUT DOORS AND PANELS. SOME STRUCTURAL DETAILS AND MOUNTING BRACKETS HAVE BEEN OMITTED FOR CLARITY.
6. WIRING CONFIGURATION SHOWN IS FOR REFERENCE ONLY.

THIS DRAWING AND SPECIFICATIONS HEREIN ARE THE PROPERTY OF SCHNEIDER ELECTRIC AND SHALL NOT BE COPIED, REPRODUCED OR USED IN WHOLE OR IN PART, AS THE BASIS FOR THE MANUFACTURE OR SALE OF ITEMS WITHOUT WRITTEN PERMISSION FROM SCHNEIDER ELECTRIC. THIS DRAWING IS BASED UPON LATEST AVAILABLE INFORMATION AND IS SUBJECT TO CHANGE WITHOUT NOTICE.

Schneider Electric

TITLE: Symmetra PX 40
Input: 208V AC 3PH SINGLE MAINS
Output: 208V AC 3PH 40kW
1 MODULE N+1 UPS
UPS INTERNAL MECHANICAL

PROJECT: SUBMITTAL DRAWINGS **SHEET 5 OF 9**

DWG NO: SYPX-40K40R2FF10SBP

DRAWN BY: BALA 31-MAY-16

ENGINEER: J RING 31-MAY-16

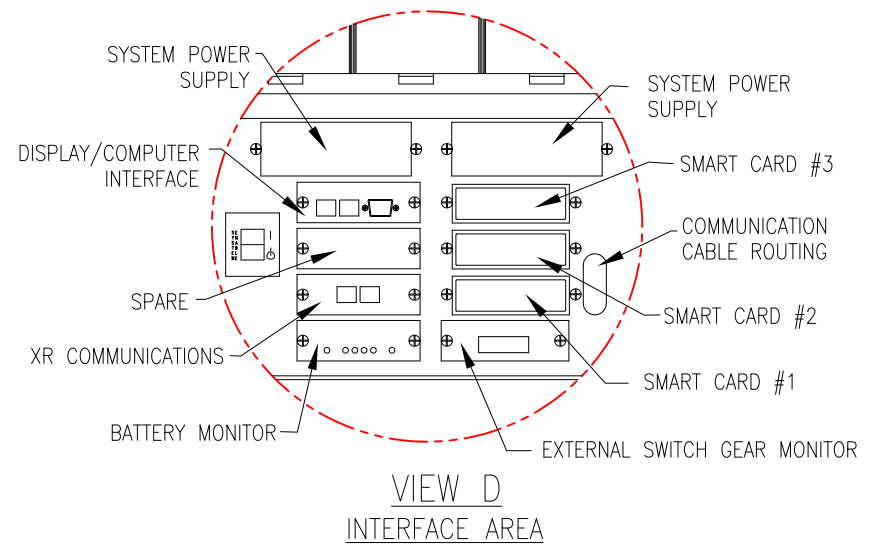
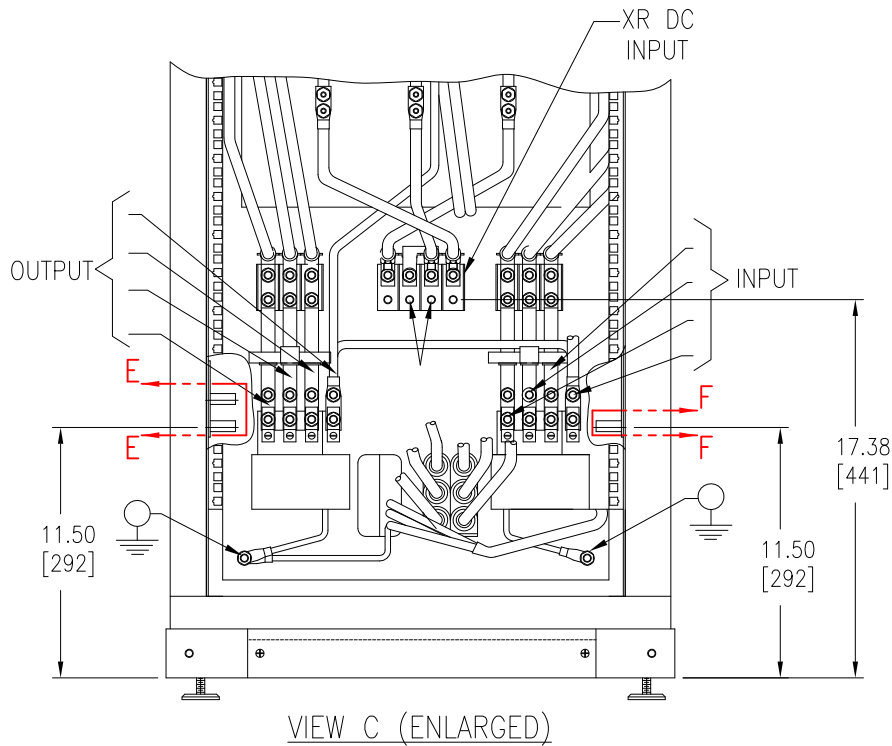
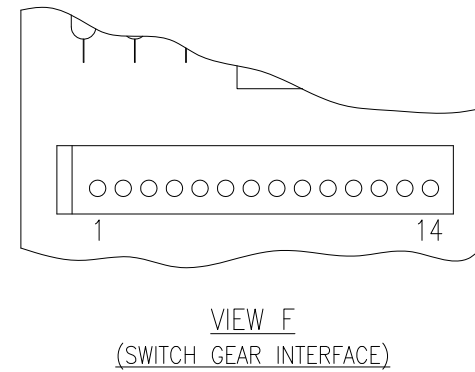
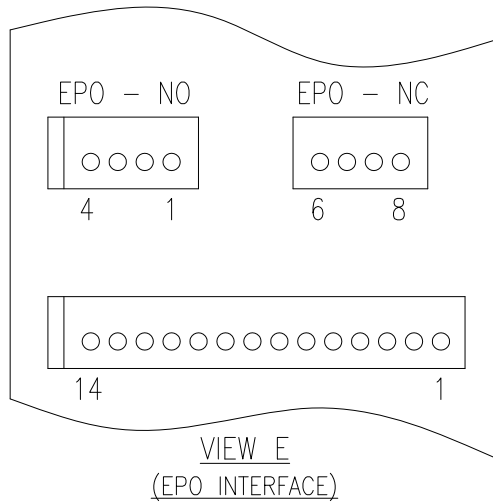
APPROVED BY: B S / E S 31-MAY-16

REV. 4

THIRD

ANGLE

PROJECTION



NOTES:

1. INSTALLATION SHALL COMPLY WITH ALL APPLICABLE NATIONAL, STATE AND LOCAL CODES.
2. REFER TO PRODUCT DOCUMENTATION FOR ADDITIONAL DETAILS PRIOR TO INSTALLATION AND SITE PREPARATION WORK.
3. ALL DIMENSIONS ARE IN INCHES [MILLIMETERS].

THIS DRAWING AND SPECIFICATIONS HEREIN ARE THE PROPERTY OF SCHNEIDER ELECTRIC AND SHALL NOT BE COPIED, REPRODUCED OR USED IN WHOLE OR IN PART, AS THE BASIS FOR THE MANUFACTURE OR SALE OF ITEMS WITHOUT WRITTEN PERMISSION FROM SCHNEIDER ELECTRIC. THIS DRAWING IS BASED UPON LATEST AVAILABLE INFORMATION AND IS SUBJECT TO CHANGE WITHOUT NOTICE.



TITLE: Symmetra PX 40
Input: 208V AC 3PH SINGLE MAINS
Output: 208V AC 3PH 40kW
1 MODULE N+1 UPS
UPS INTERFACE DETAILS

DWG NO: SYPX-40K40R2FF10SBP

REV. 4

DRAWN BY: BALA 31-MAY-16

THIRD

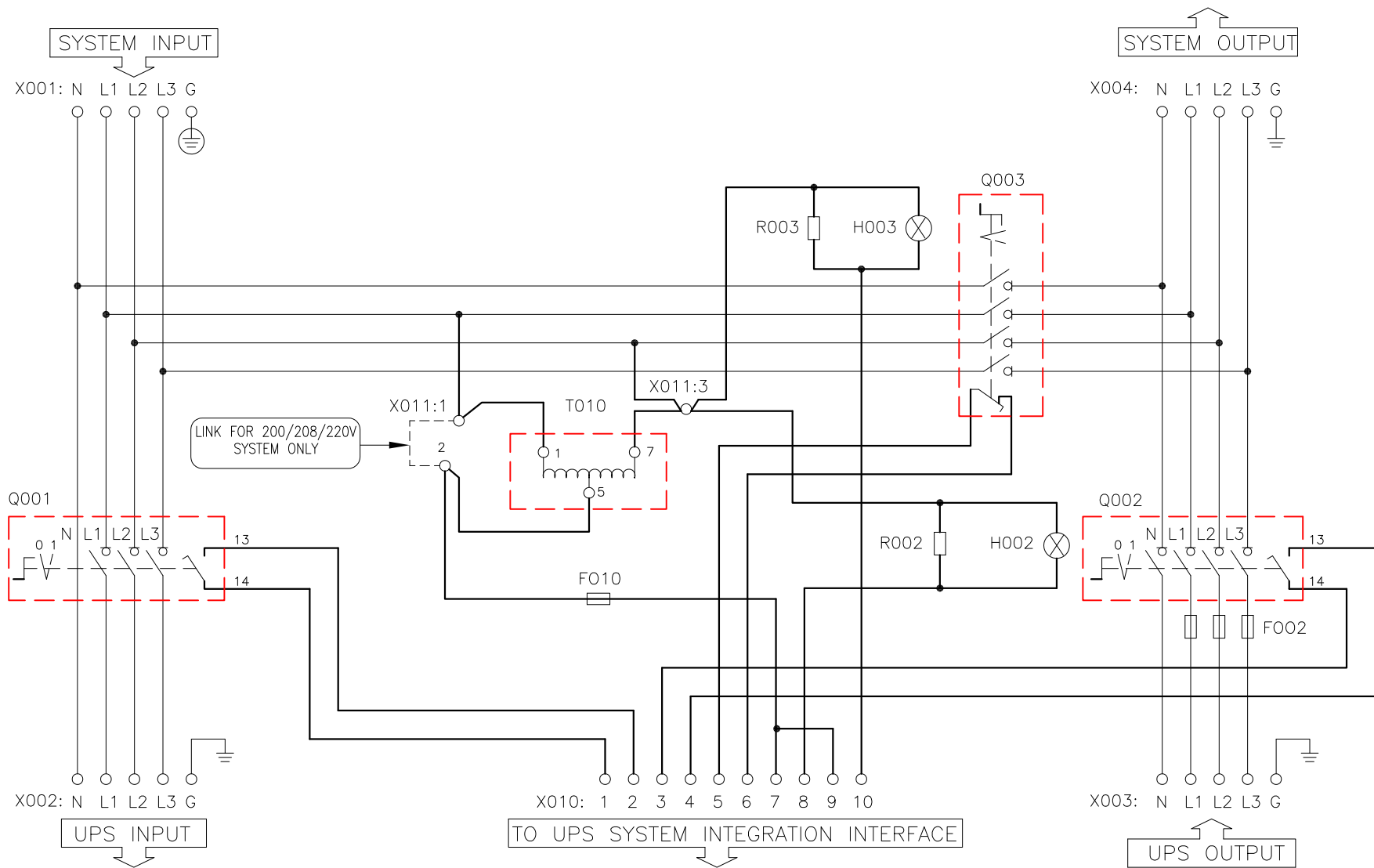
ENGINEER: J RING 31-MAY-16

ANGLE

PROJECT: SUBMITTAL DRAWINGS SHEET 6 OF 9

APPROVED BY: B S / E S 31-MAY-16

PROJECTION



NOTES:

1. INSTALLATION SHALL COMPLY WITH ALL APPLICABLE NATIONAL, STATE AND LOCAL CODES.
2. REFER TO PRODUCT DOCUMENTATION FOR ADDITIONAL DETAILS PRIOR TO INSTALLATION AND SITE PREPARATION WORK.
3. -----= CABLING PROVIDED BY OTHERS.
4. SYSTEM INPUT MUST BE 4 WIRE + GROUND WYE-SOURCE.
5. F002 (INTERNAL OUTPUT FUSE) - 125A.

THIS DRAWING AND SPECIFICATIONS HEREIN ARE THE PROPERTY OF SCHNEIDER ELECTRIC AND SHALL NOT BE COPIED, REPRODUCED OR USED IN WHOLE OR IN PART, AS THE BASIS FOR THE MANUFACTURE OR SALE OF ITEMS WITHOUT WRITTEN PERMISSION FROM SCHNEIDER ELECTRIC. THIS DRAWING IS BASED UPON LATEST AVAILABLE INFORMATION AND IS SUBJECT TO CHANGE WITHOUT NOTICE.



TITLE: Symmetra PX 40
 Input: 208V AC 3PH SINGLE MAINS
 Output: 208V AC 3PH 40KW
 SERVICE BYPASS PANEL
 ELECTRICAL SCHEMATIC

PROJECT: SUBMITTAL DRAWINGS SHEET 7 OF 9

DWG NO: SYPX-40K40R2FF10SBP

DRAWN BY: BALA 31-MAY-16

ENGINEER: J RING 31-MAY-16

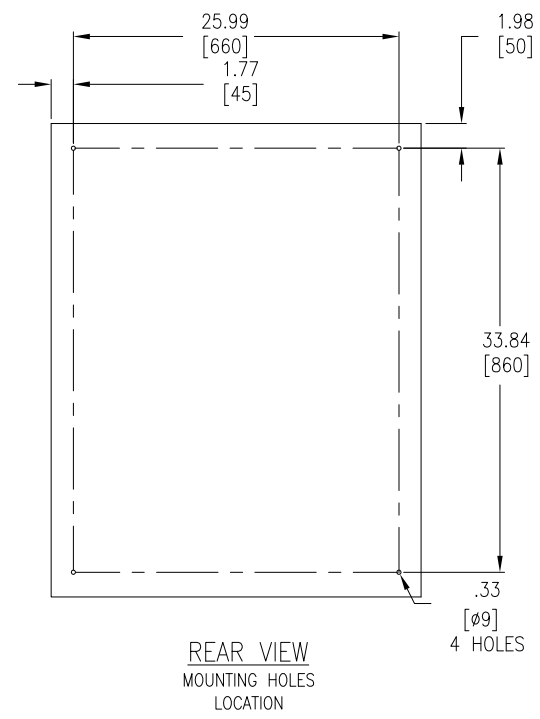
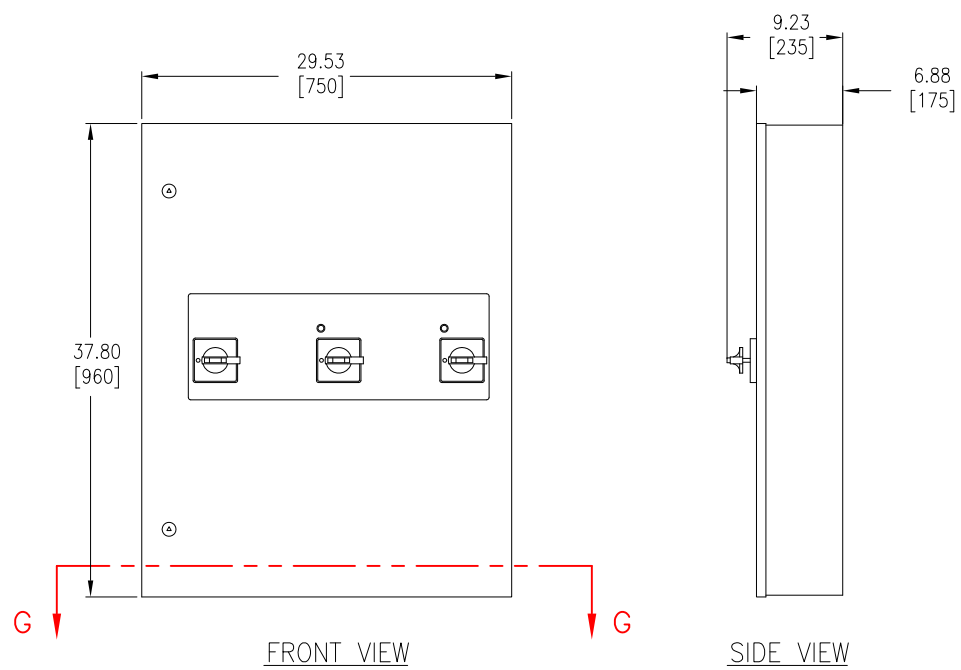
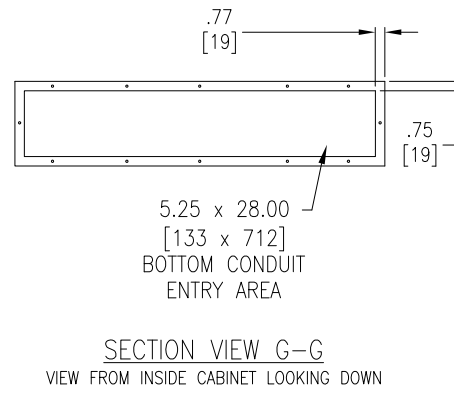
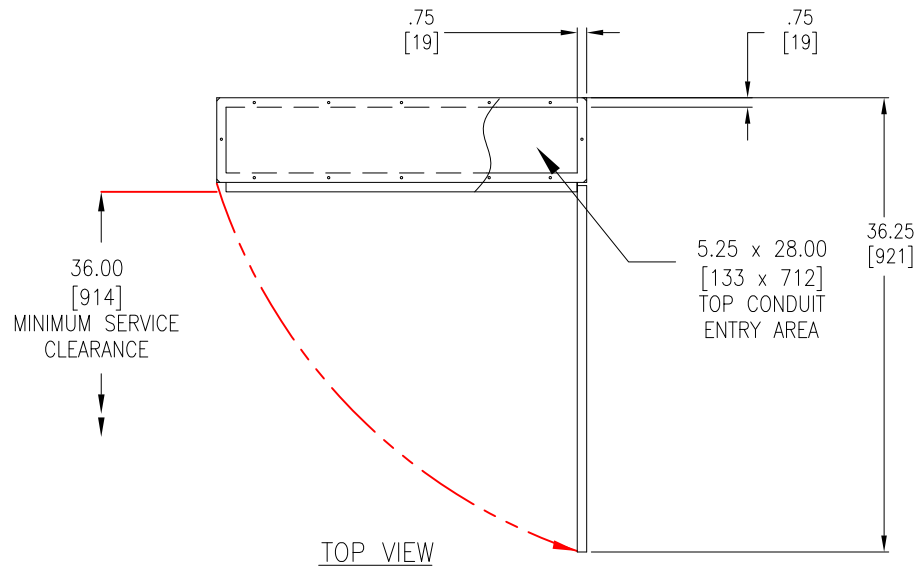
APPROVED BY: B S / E S 31-MAY-16

REV. 1

ANGLE

PROJECTION

N.A.



NOTES:

1. INSTALLATION SHALL COMPLY WITH ALL APPLICABLE NATIONAL, STATE AND LOCAL CODES.
2. REFER TO PRODUCT DOCUMENTATION FOR ADDITIONAL DETAILS PRIOR TO INSTALLATION AND SITE PREPARATION WORK.
3. ALL DIMENSIONS ARE IN INCHES [MILLIMETERS].
4. CONDUIT ENTRY IS TOP OR BOTTOM OF UNIT.
5. NET WEIGHT OF UNIT IS 121 LBS (55 kg).

THIS DRAWING AND SPECIFICATIONS HEREIN ARE THE PROPERTY OF SCHNEIDER ELECTRIC AND SHALL NOT BE COPIED, REPRODUCED OR USED IN WHOLE OR IN PART, AS THE BASIS FOR THE MANUFACTURE OR SALE OF ITEMS WITHOUT WRITTEN PERMISSION FROM SCHNEIDER ELECTRIC. THIS DRAWING IS BASED UPON LATEST AVAILABLE INFORMATION AND IS SUBJECT TO CHANGE WITHOUT NOTICE.



TYPE : SBP-80A-SS (SINGLE OPERATION, SINGLE MAINS)

TITLE: Symmetra PX 40
Input: 208V AC 3PH SINGLE MAINS
Output: 208V AC 3PH 40kW
SERVICE BYPASS PANEL
MAIN MECHANICAL

DWG NO: SYPX-40K40R2FF10SBP

REV. 1

DRAWN BY: BALA 31-MAY-16

THIRD

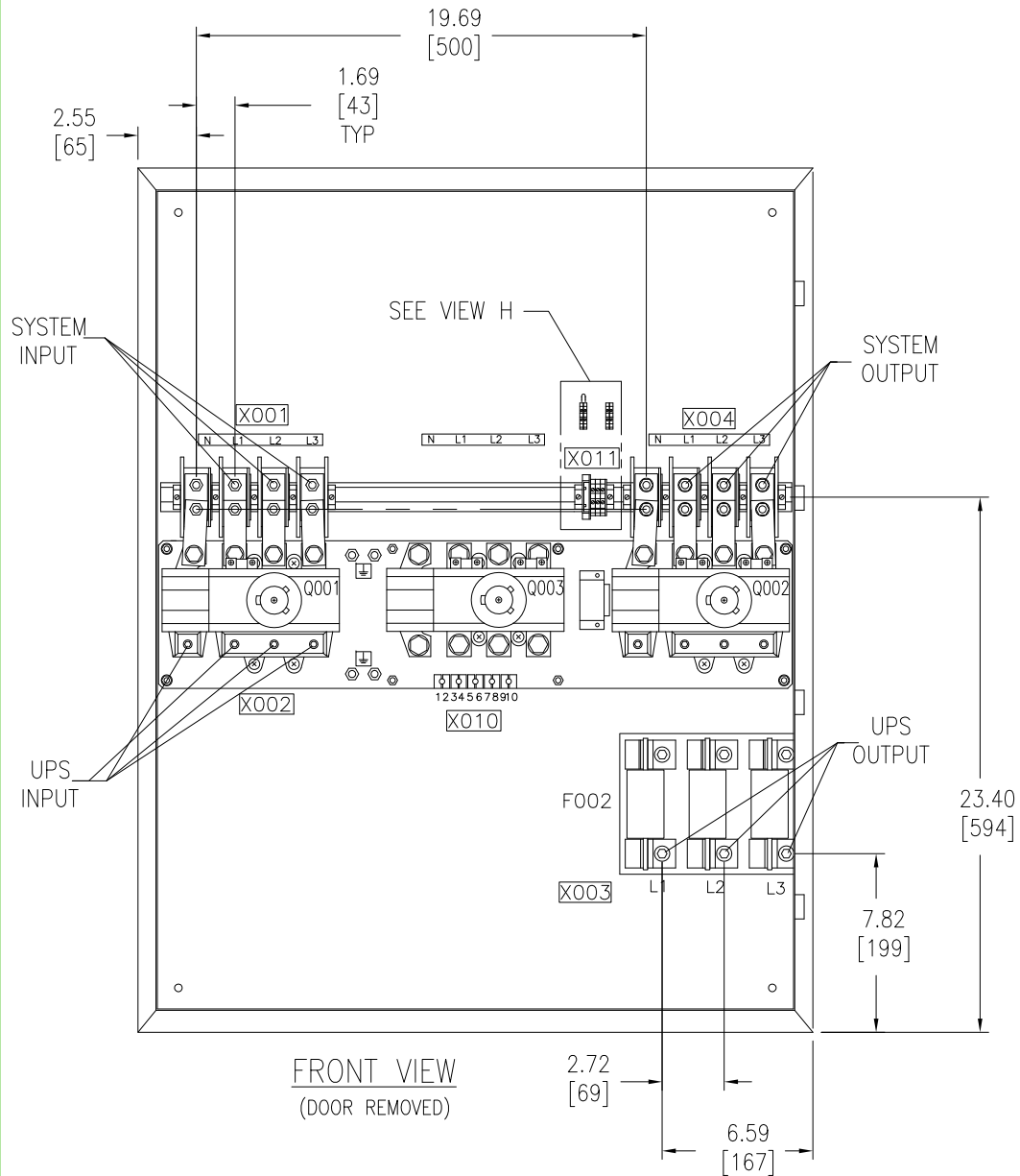
ENGINEER: J RING 31-MAY-16

ANGLE

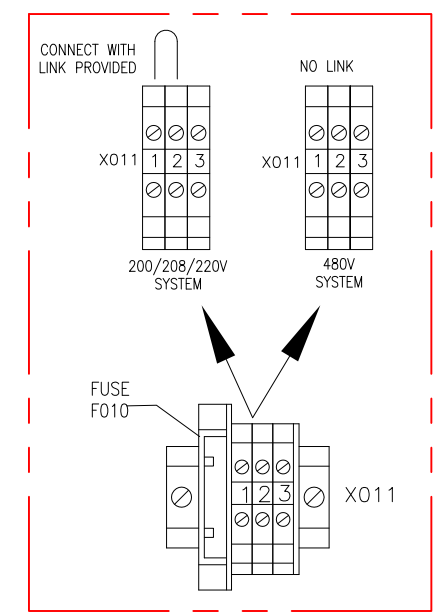
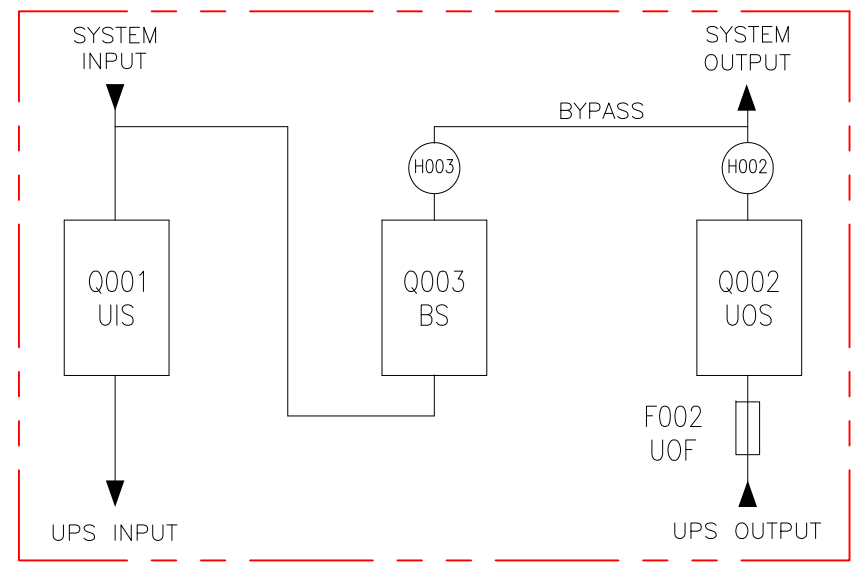
APPROVED BY: B S / E S 31-MAY-16

PROJECTION

PROJECT: SUBMITTAL DRAWINGS SHEET 8 OF 9



POWER FLOW DIAGRAM



VIEW H (ENLARGED)
CONTROL WIRING

- NOTES:
1. INSTALLATION SHALL COMPLY WITH ALL APPLICABLE NATIONAL, STATE AND LOCAL CODES.
 2. REFER TO PRODUCT DOCUMENTATION FOR ADDITIONAL DETAILS PRIOR TO INSTALLATION AND SITE PREPARATION WORK.
 3. ALL DIMENSIONS ARE IN INCHES [MILLIMETERS].
 4. CONDUIT ENTRY IS TOP OR BOTTOM OF UNIT.
 5. F002 (INTERNAL OUTPUT FUSE) = 125A.

THIS DRAWING AND SPECIFICATIONS HEREIN ARE THE PROPERTY OF SCHNEIDER ELECTRIC AND SHALL NOT BE COPIED, REPRODUCED OR USED IN WHOLE OR IN PART, AS THE BASIS FOR THE MANUFACTURE OR SALE OF ITEMS WITHOUT WRITTEN PERMISSION FROM SCHNEIDER ELECTRIC. THIS DRAWING IS BASED UPON LATEST AVAILABLE INFORMATION AND IS SUBJECT TO CHANGE WITHOUT NOTICE.



TITLE: Symmetra PX 40
Input: 208V AC 3PH SINGLE MAINS
Output: 208V AC 3PH 40kW
SERVICE BYPASS PANEL
INTERNAL MECHANICAL

DWG NO: SYPX-40K40R2FF10SBP

DRAWN BY:	BALA	31-MAY-16	THIRD
ENGINEER:	J RING	31-MAY-16	ANGLE
APPROVED BY:	B S / E S	31-MAY-16	PROJECTION

REV. 1