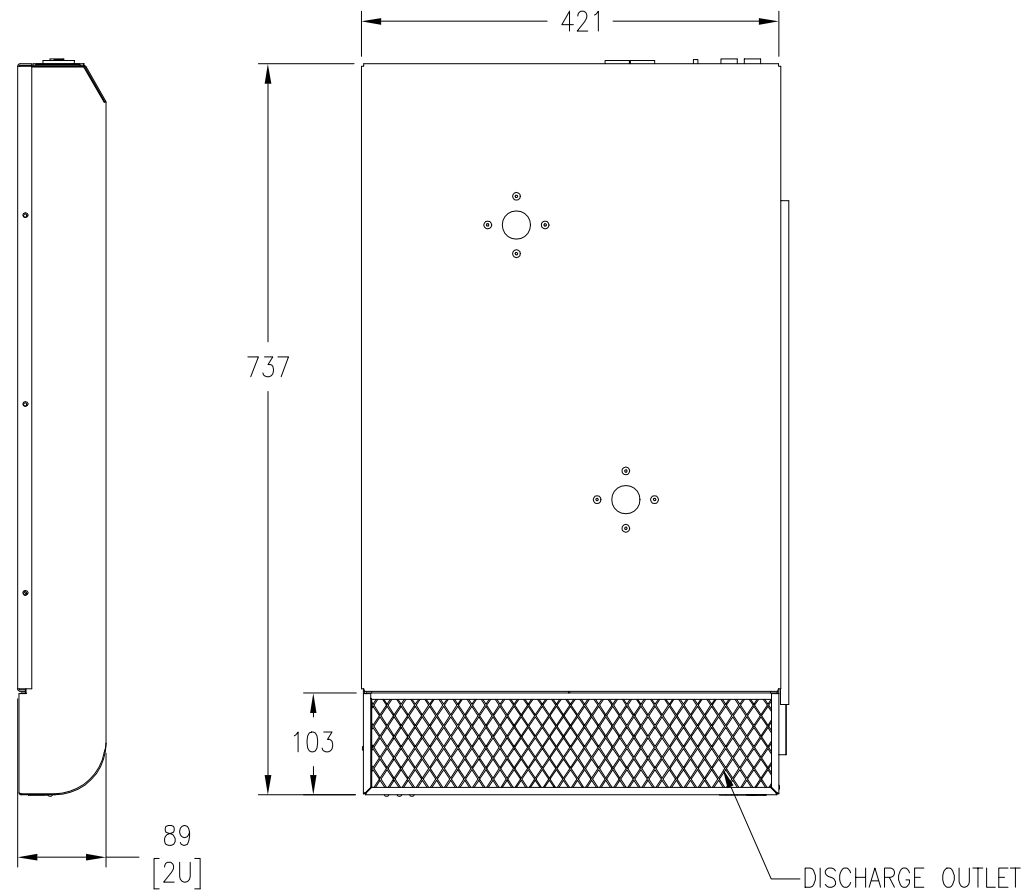


BOTTOM VIEW



SIDE VIEW

TOP VIEW

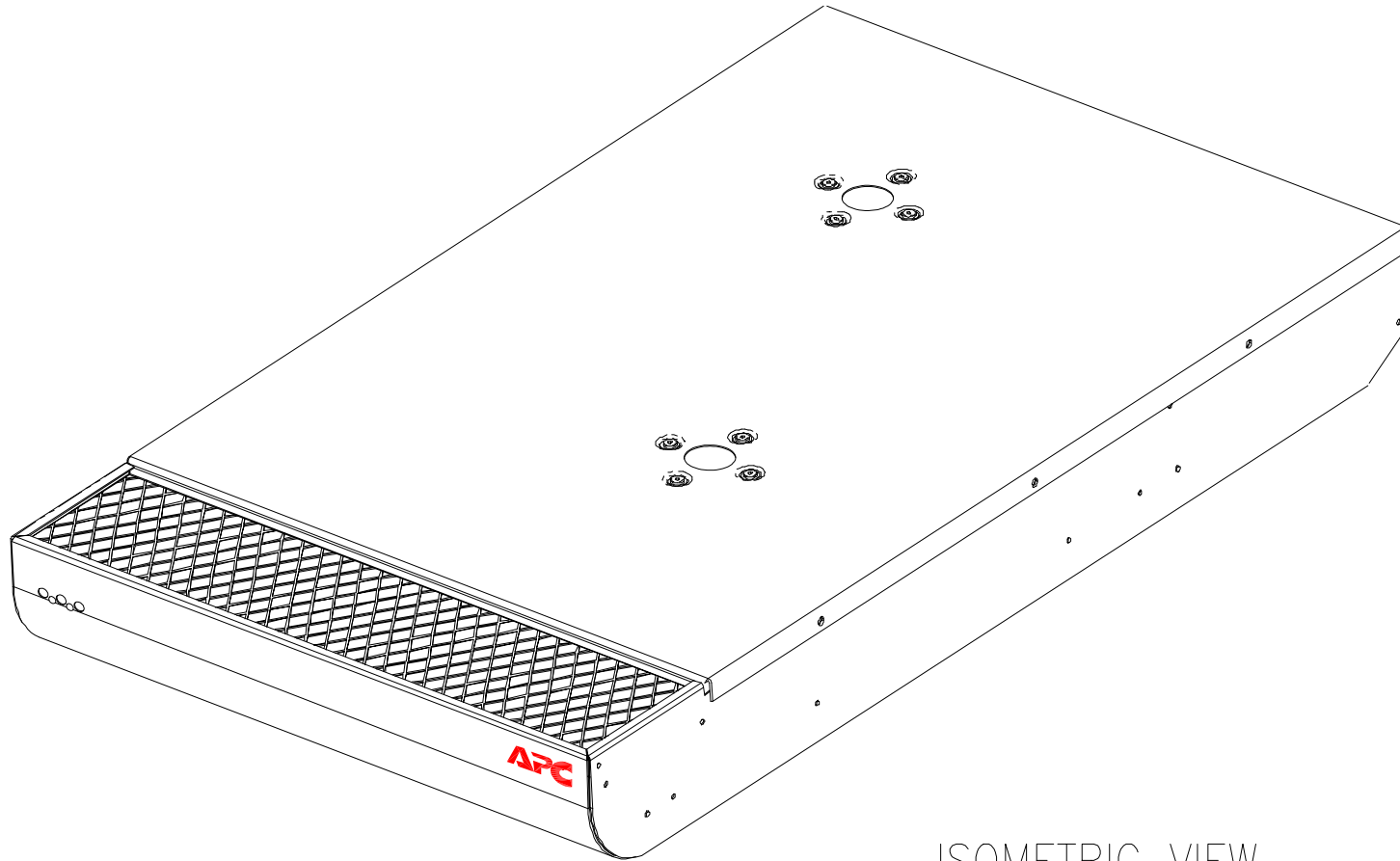
NOTES:

1. ALL DIMENSIONS ARE IN MILLIMETERS
2. NET WEIGHT OF UNIT IS 19kg
3. AIRFLOW:
 NON-RAISED FLOOR – 579 cubic meters/h
 RAISED FLOOR – 714 cubic meters/h (WHEN INSTALLED OVER STANDARD RAISED FLOOR @ 16.9 mbar.)
4. INSTALLATION MUST COMPLY WITH ALL APPLICABLE NATIONAL AND LOCAL CODES.

THIS DRAWING AND SPECIFICATIONS HEREIN ARE THE PROPERTY OF AMERICAN POWER CONVERSION AND SHALL NOT BE COPIED, REPRODUCED OR USED IN WHOLE OR IN PART, AS THE BASIS FOR THE MANUFACTURE OR SALE OF ITEMS WITHOUT WRITTEN PERMISSION FROM APC. THIS DRAWING IS BASED UPON LATEST AVAILABLE INFORMATION AND IS SUBJECT TO CHANGE WITHOUT NOTICE.

TITLE: NETWORK AIR PRODUCT AIR DISTRIBUTION UNIT 230V, 50Hz		DWG NO: ACF002 – MM	REV. –
PROJECT: SUBMITTAL DRAWING	SHEET 1 OF 2	DRAWN BY: JAYAPRAKASH	28/01/04
		CHECKED BY: M SALOKHE	28/01/04
		ENGINEER: S WAGH	28/01/04

APC[®]
 AMERICAN POWER CONVERSION
 132 FARGROUNDS RD
 WEST KINGSTON, RI 02892



ISOMETRIC VIEW

THIS DRAWING AND SPECIFICATIONS HEREIN ARE THE PROPERTY OF AMERICAN POWER CONVERSION AND SHALL NOT BE COPIED, REPRODUCED OR USED IN WHOLE OR IN PART, AS THE BASIS FOR THE MANUFACTURE OR SALE OF ITEMS WITHOUT WRITTEN PERMISSION FROM APC. THIS DRAWING IS BASED UPON LATEST AVAILABLE INFORMATION AND IS SUBJECT TO CHANGE WITHOUT NOTICE.

TITLE: NETWORK AIR PRODUCT
AIR DISTRIBUTION UNIT
230V, 50Hz

DWG NO: ACF002 - ISO

REV. -

DRAWN BY: JAYAPRAKASH 28/01/04

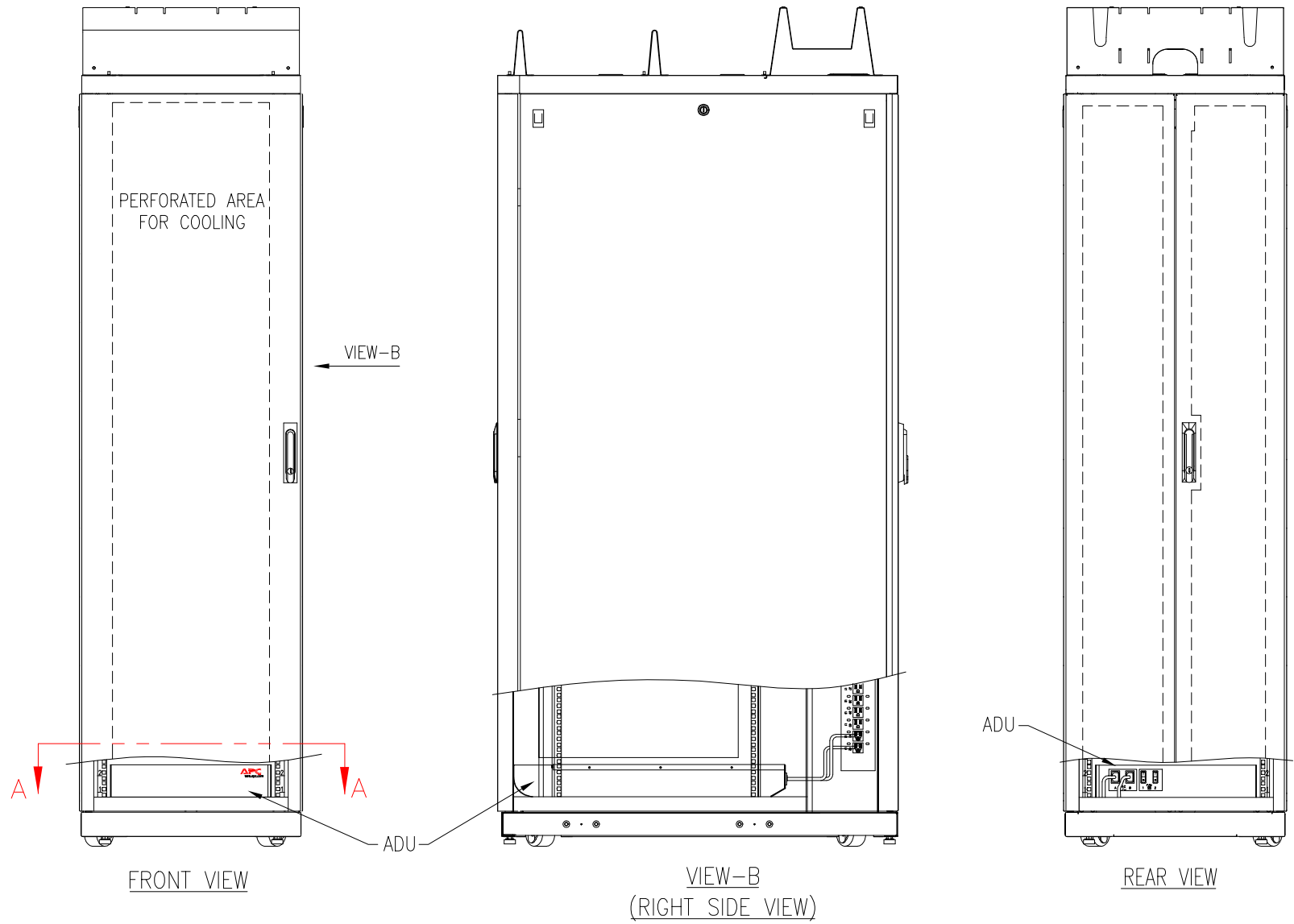
CHECKED BY: M SALOKHE 28/01/04

ENGINEER: S WAGH 28/01/04

PROJECTION


APC[®]
 AMERICAN POWER CONVERSION
 132 FARBROUNDS RD
 WEST KINGSTON, RI 02892

PROJECT: SUBMITTAL DRAWING SHEET 2 OF 2

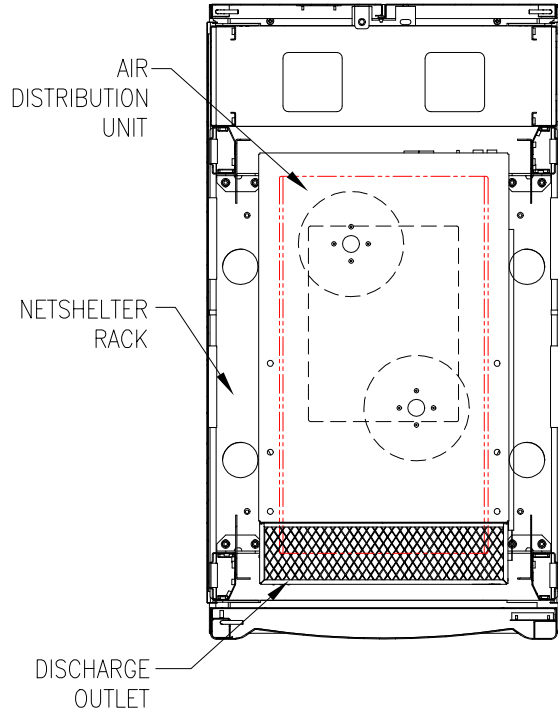


NOTE:

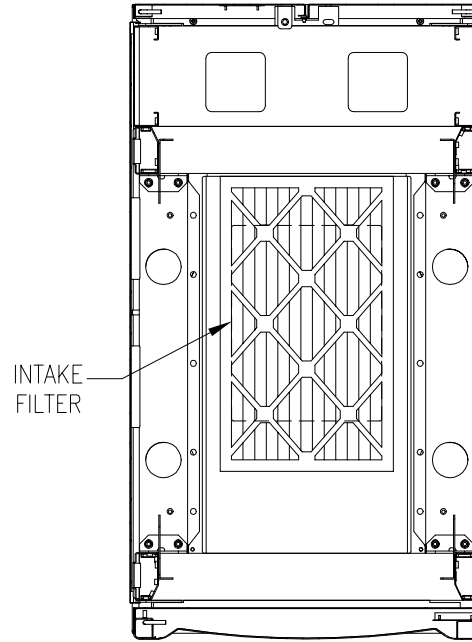
1. PLEASE REFER TO INSTALLATION MANUAL
2. INSTALLATION IS TYPICAL FOR ALL 600mm WIDE UNITS
3. ADU IS INSTALLED IN THE BOTTOM 2U OF THE NETSHELTER ENCLOSURE
4. SOME STRUCTURAL DETAILS HAVE BEEN OMITTED FOR CLARITY
5. INSTALLATION MUST COMPLY WITH ALL APPLICABLE NATIONAL AND LOCAL CODES

THIS DRAWING AND SPECIFICATIONS HEREIN ARE THE PROPERTY OF AMERICAN POWER CONVERSION AND SHALL NOT BE COPIED, REPRODUCED OR USED IN WHOLE OR IN PART, AS THE BASIS FOR THE MANUFACTURE OR SALE OF ITEMS WITHOUT WRITTEN PERMISSION FROM APC. THIS DRAWING IS BASED UPON LATEST AVAILABLE INFORMATION AND IS SUBJECT TO CHANGE WITHOUT NOTICE.	TITLE: NETSHELTER vx 42U ENCLOSURE 600mm W X 1070mm D, BASE UNIT WITH AIR DISTRIBUTION UNIT INSTALLED		DWG NO: NSH-2100VX+ACF002-MM1		REV. -
	PROJECT: SUBMITTAL DRAWINGS		DRAWN BY: JAYAPRAKASH		28/01/04
	SHEET 1 OF 3		CHECKED BY: M SALOKHE		28/01/04
			ENGINEER: S WAGH		28/01/04

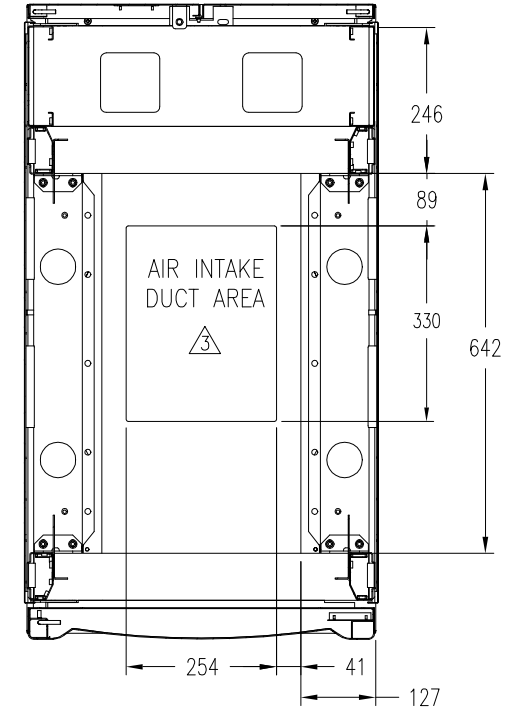




SECTION A-A (ENLARGED)
VIEW FROM INSIDE CABINET, LOOKING DOWN
(FILTER NOT SHOWN FOR CLARITY)



SECTION A-A (ENLARGED)
VIEW FROM INSIDE CABINET, LOOKING DOWN
(ADU NOT SHOWN)



SECTION A-A (ENLARGED)
VIEW FROM INSIDE CABINET, LOOKING DOWN
(ADU AND FILTER NOT SHOWN)

NOTE:

1. PLEASE REFER TO INSTALLATION MANUAL
2. ALL DIMENSIONS ARE IN MILLIMETERS.
- △ 3. AIR INTAKE DUCT IS SHOWN AND USED FOR RAISED FLOOR APPLICATIONS ONLY
4. SOME STRUCTURAL DETAILS IN THESE SECTION VIEWS HAVE BEEN OMITTED FOR CLARITY
5. INSTALLATION MUST COMPLY WITH ALL APPLICABLE NATIONAL AND LOCAL CODES

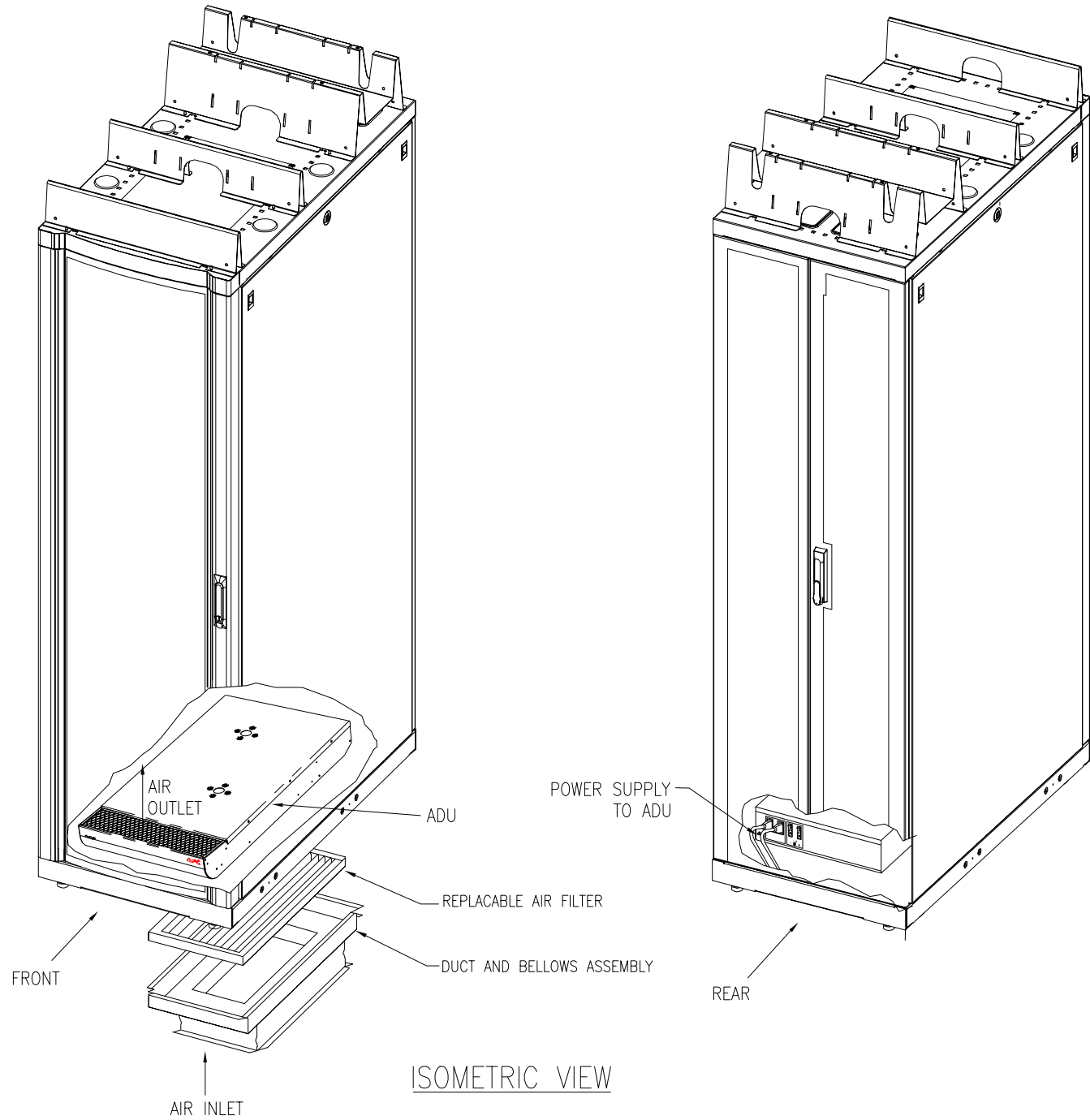
THIS DRAWING AND SPECIFICATIONS HEREIN ARE THE PROPERTY OF AMERICAN POWER CONVERSION AND SHALL NOT BE COPIED, REPRODUCED OR USED IN WHOLE OR IN PART, AS THE BASIS FOR THE MANUFACTURE OR SALE OF ITEMS WITHOUT WRITTEN PERMISSION FROM APC. THIS DRAWING IS BASED UPON LATEST AVAILABLE INFORMATION AND IS SUBJECT TO CHANGE WITHOUT NOTICE.

TITLE:
NETSHELTER VX 42U ENCLOSURE
600mm W X 1070mm D, BASE UNIT
WITH AIR DISTRIBUTION UNIT INSTALLED


DWG NO: NSH-2100VX+ACF002-MM2
DRAWN BY: JAYAPRAKASH 28/01/04
CHECKED BY: M SALOKHE 28/01/04
ENGINEER: S WAGH 28/01/04

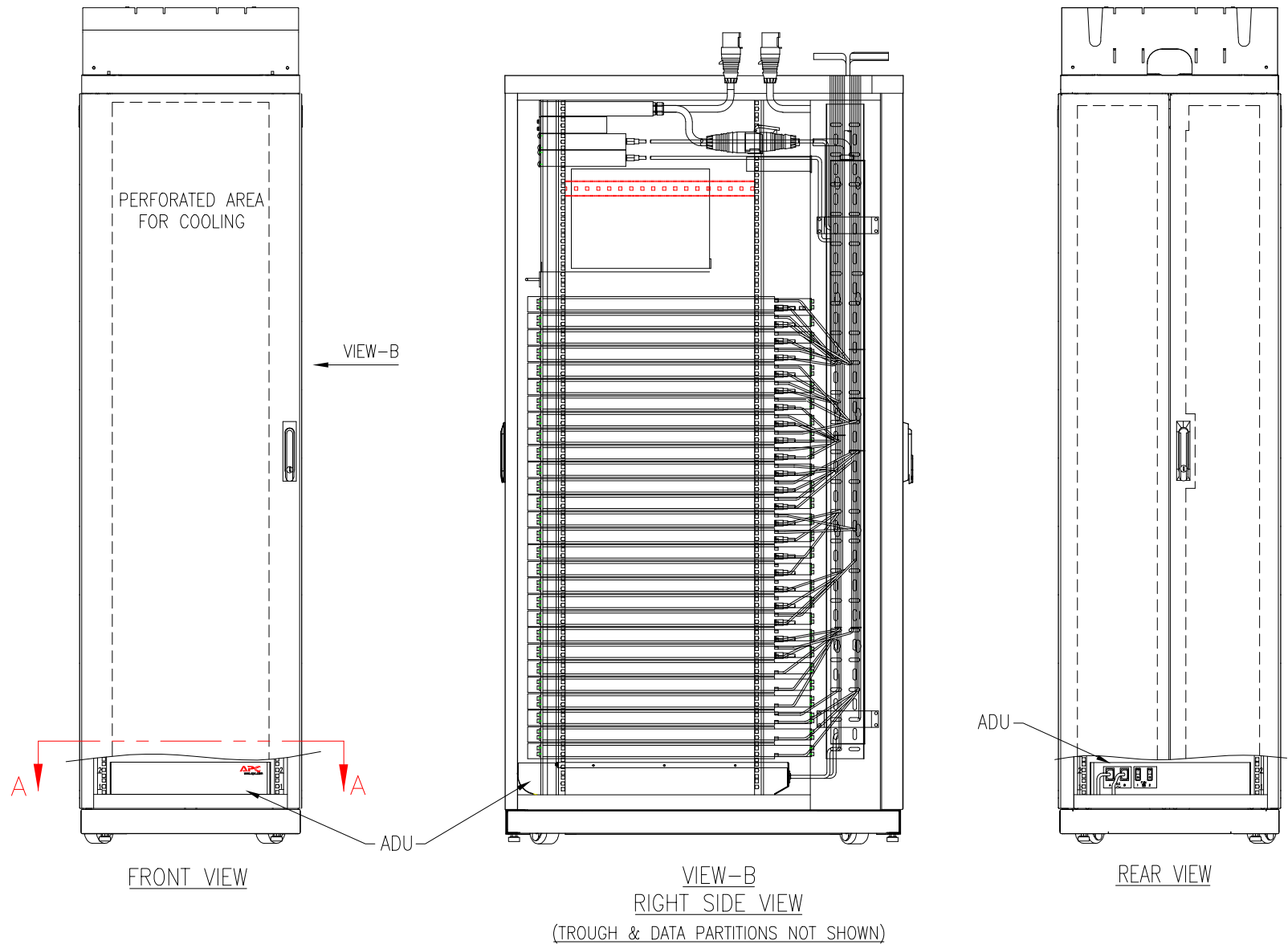
REV. -
PROJECTION

APC[®]
AMERICAN POWER CONVERSION
132 FAIRGROUNDS RD
WEST KINGSTON, RI 02892



NOTE:
1. SOME STRUCTURAL DETAILS HAVE BEEN OMITTED FOR CLARITY

THIS DRAWING AND SPECIFICATIONS HEREIN ARE THE PROPERTY OF AMERICAN POWER CONVERSION AND SHALL NOT BE COPIED, REPRODUCED OR USED IN WHOLE OR IN PART, AS THE BASIS FOR THE MANUFACTURE OR SALE OF ITEMS WITHOUT WRITTEN PERMISSION FROM APC. THIS DRAWING IS BASED UPON LATEST AVAILABLE INFORMATION AND IS SUBJECT TO CHANGE WITHOUT NOTICE.		TITLE: NETSHELTER VX 42U ENCLOSURE 600mm W X 1070mm D, BASE UNIT WITH AIR DISTRIBUTION UNIT INSTALLED		DWG NO: NSH-2100VX+ACF002-MM3		REV. -	
PROJECT: SUBMITTAL DRAWINGS		SHEET 3 OF 3		DRAWN BY: JAYAPRAKASH		28/01/04	
				CHECKED BY: M SALOKHE		28/01/04	
				ENGINEER: S WAGH		28/01/04	
				PROJECTION		 AMERICAN POWER CONVERSION 132 FAIRGROUNDS RD WEST KINGSTON, RI 02892	



NOTE:

1. PLEASE REFER TO INSTALLATION MANUAL
2. INSTALLATION IS TYPICAL FOR ALL 600mm WIDE UNITS
3. ADU IS INSTALLED IN THE BOTTOM 2U OF THE NETSHELTER ENCLOSURE
4. SOME STRUCTURAL DETAILS HAVE BEEN OMITTED FOR CLARITY
5. INSTALLATION MUST COMPLY WITH ALL APPLICABLE NATIONAL AND LOCAL CODES

THIS DRAWING AND SPECIFICATIONS HEREIN ARE THE PROPERTY OF AMERICAN POWER CONVERSION AND SHALL NOT BE COPIED, REPRODUCED OR USED IN WHOLE OR IN PART, AS THE BASIS FOR THE MANUFACTURE OR SALE OF ITEMS WITHOUT WRITTEN PERMISSION FROM APC. THIS DRAWING IS BASED UPON LATEST AVAILABLE INFORMATION AND IS SUBJECT TO CHANGE WITHOUT NOTICE.

TITLE: NETSHELTER VX 42U ENCLOSURE
600mm W X 1070mm D, EXPANSION UNIT
WITH AIR DISTRIBUTION UNIT INSTALLED

PROJECT: SUBMITTAL DRAWINGS SHEET 1 OF 3

DWG NO: NSH-2101VX+ACF002-MM1

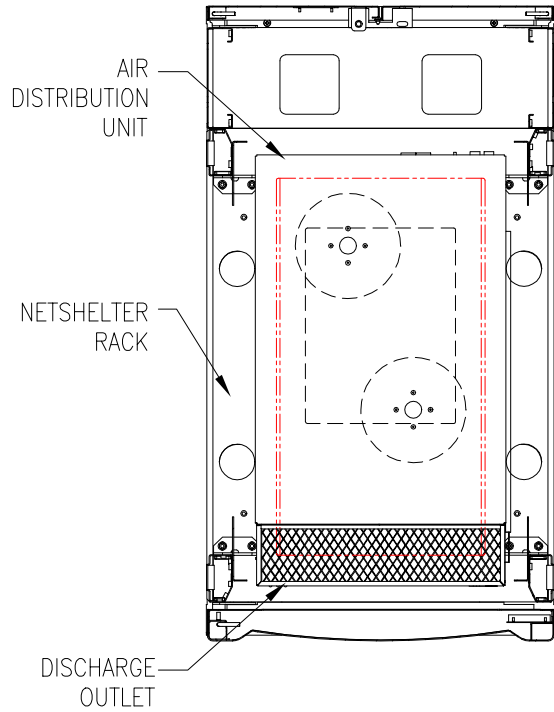
DRAWN BY: JAYAPRAKASH	28/01/04
CHECKED BY: M SALOKHE	28/01/04
ENGINEER: S WAGH	28/01/04

REV. -

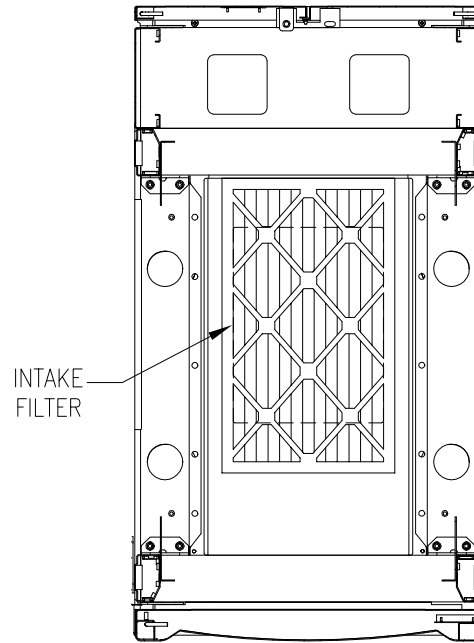
PROJECTION

APC[®]

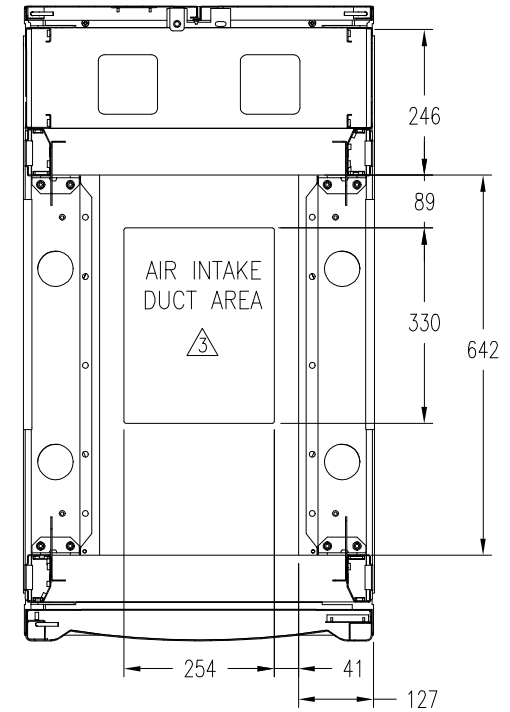
AMERICAN POWER CONVERSION
132 FAIRGROUNDS RD
WEST KINGSTON, RI 02892



SECTION A-A (ENLARGED)
VIEW FROM INSIDE CABINET, LOOKING DOWN
(FILTER NOT SHOWN FOR CLARITY)



SECTION A-A (ENLARGED)
VIEW FROM INSIDE CABINET, LOOKING DOWN
(ADU NOT SHOWN)



SECTION A-A (ENLARGED)
VIEW FROM INSIDE CABINET, LOOKING DOWN
(ADU AND FILTER NOT SHOWN)

NOTE:

1. PLEASE REFER TO INSTALLATION MANUAL
2. ALL DIMENSIONS ARE IN MILLIMETERS.
- △ 3. AIR INTAKE DUCT IS SHOWN AND USED FOR RAISED FLOOR APPLICATIONS ONLY
4. SOME STRUCTURAL DETAILS IN THESE SECTION VIEWS HAVE BEEN OMITTED FOR CLARITY
5. INSTALLATION MUST COMPLY WITH ALL APPLICABLE NATIONAL AND LOCAL CODES

THIS DRAWING AND SPECIFICATIONS HEREIN ARE THE PROPERTY OF AMERICAN POWER CONVERSION AND SHALL NOT BE COPIED, REPRODUCED OR USED IN WHOLE OR IN PART, AS THE BASIS FOR THE MANUFACTURE OR SALE OF ITEMS WITHOUT WRITTEN PERMISSION FROM APC. THIS DRAWING IS BASED UPON LATEST AVAILABLE INFORMATION AND IS SUBJECT TO CHANGE WITHOUT NOTICE.

TITLE: NETSHELTER VX 42U ENCLOSURE
600mm W X 1070mm D, EXPANSION UNIT
WITH AIR DISTRIBUTION UNIT INSTALLED

PROJECT: SUBMITTAL DRAWINGS SHEET 2 OF 3

DWG NO: NSH-2101VX+ACF002-MM2

REV. -

DRAWN BY: JAYAPRAKASH 28/01/04

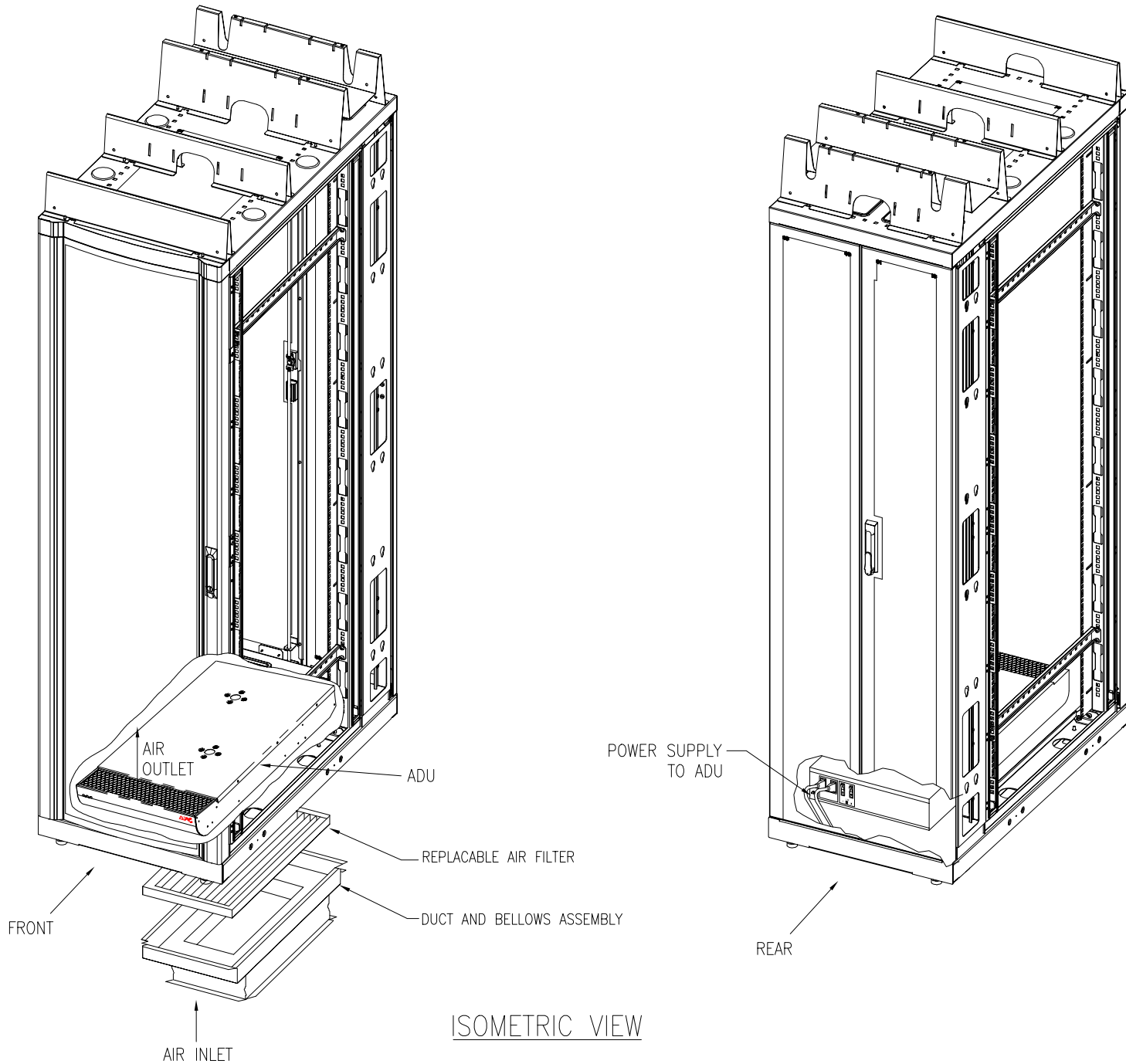
CHECKED BY: M SALOKHE 28/01/04

ENGINEER: S WAGH 28/01/04

PROJECTION

APC[®]

AMERICAN POWER CONVERSION
132 FAIRGROUNDS RD
WEST KINGSTON, RI 02892



ISOMETRIC VIEW

NOTE:

1. SOME STRUCTURAL DETAILS HAVE BEEN OMITTED FOR CLARITY

THIS DRAWING AND SPECIFICATIONS HEREIN ARE THE PROPERTY OF AMERICAN POWER CONVERSION AND SHALL NOT BE COPIED, REPRODUCED OR USED IN WHOLE OR IN PART, AS THE BASIS FOR THE MANUFACTURE OR SALE OF ITEMS WITHOUT WRITTEN PERMISSION FROM APC. THIS DRAWING IS BASED UPON LATEST AVAILABLE INFORMATION AND IS SUBJECT TO CHANGE WITHOUT NOTICE.

TITLE: NETSHELTER VX 42U ENCLOSURE
600mm W X 1070mm D, EXPANSION UNIT
WITH AIR DISTRIBUTION UNIT INSTALLED

DWG NO:	NSH-2101VX+ACF002-MM3	REV.	-
DRAWN BY:	JAYAPRAKASH		28/01/04
CHECKED BY:	M SALOKHE		28/01/04
ENGINEER:	S WAGH		28/01/04

PROJECT: SUBMITTAL DRAWINGS SHEET 3 OF 3



APC[®]
AMERICAN POWER CONVERSION
132 FAIRGROUNDS RD
WEST KINGSTON, RI 02892