

**NOTES:**

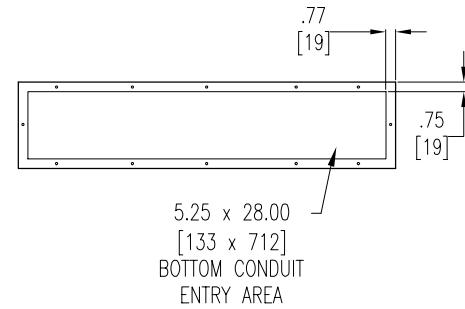
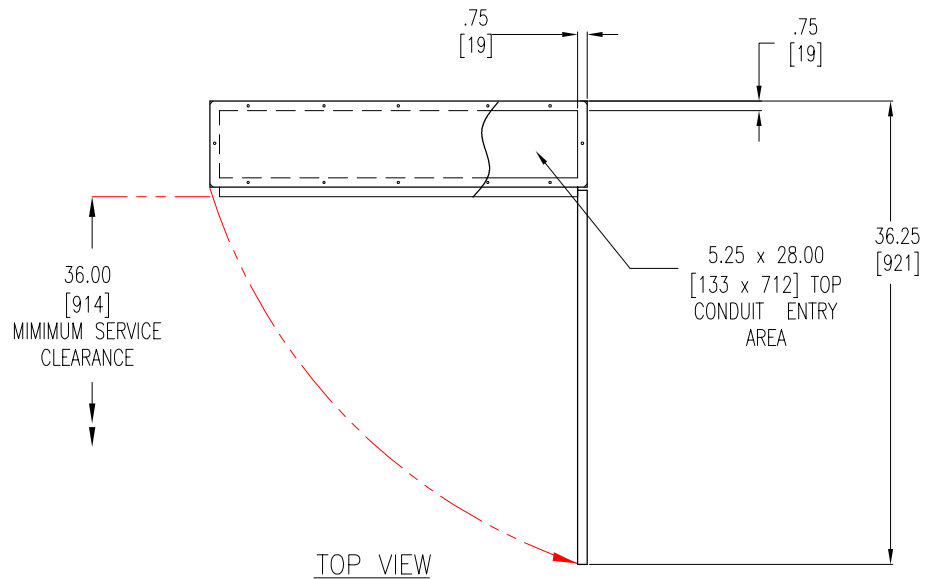
1. MUST BE 3 OR 4 WIRE + GROUND PROVIDED WYE-SOURCE.
2. INTERNAL OUTPUT FUSES FO02 = 125A.
3. INSTALLATION MUST COMPLY WITH ALL APPLICABLE NATIONAL AND LOCAL CODES.

THIS DRAWING AND SPECIFICATIONS HEREIN ARE THE PROPERTY OF AMERICAN POWER CONVERSION AND SHALL NOT BE COPIED, REPRODUCED OR USED IN WHOLE OR IN PART, AS THE BASIS FOR THE MANUFACTURE OR SALE OF ITEMS WITHOUT WRITTEN PERMISSION FROM APC. THIS DRAWING IS BASED UPON LATEST AVAILABLE INFORMATION AND IS SUBJECT TO CHANGE WITHOUT NOTICE.

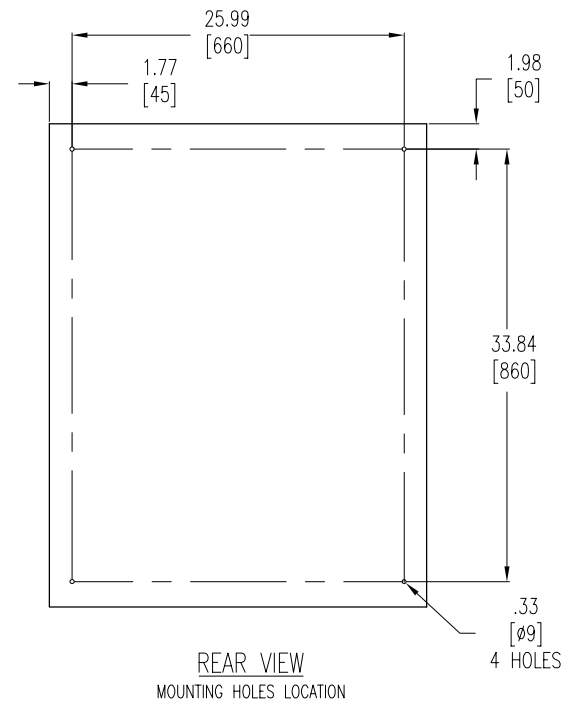
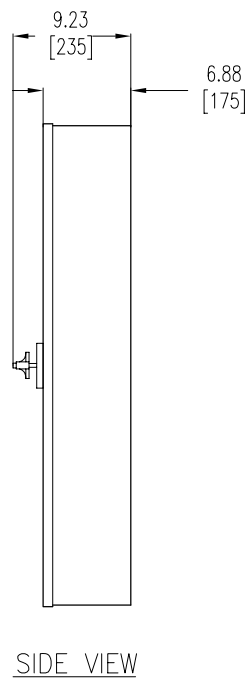
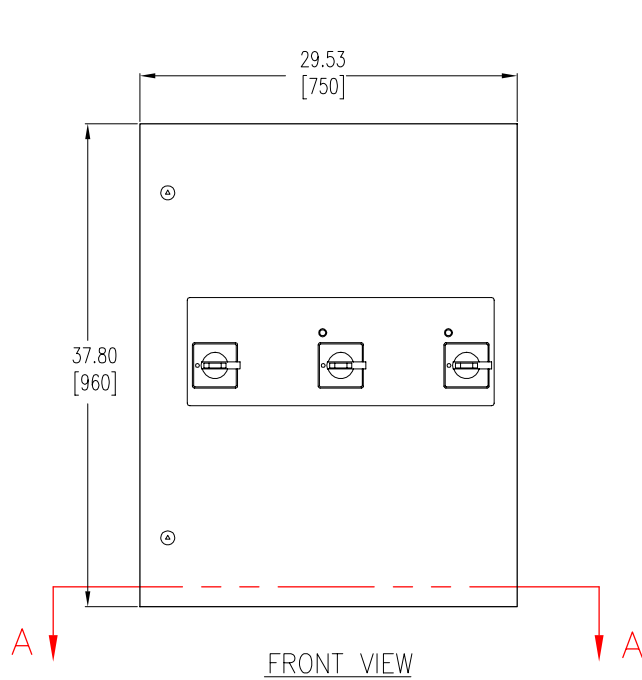
TITLE: SILCON UPS  
 208V, 3PH, 40KW, 1MOD, SINGLE FEED  
 MAINTENANCE BYPASS PANEL  
 ELECTRICAL SCHEMATIC  
 PROJECT: SUBMITTAL DRAWINGS SHEET 1 OF 3

DWG NO: SBP40KFC1M1-ES  
 DRAWN BY: JAYAPRAKASH  
 CHECKED BY: J RING  
 ENGINEER: B SHERIDAN/E SILVA  
 REV. 3  
 12/13/06  
 12/13/06  
 12/13/06





SECTION VIEW A-A  
VIEW FROM INSIDE CABINET LOOKING DOWN



NOTES:

1. ALL DIMENSIONS ARE IN INCHES [MILLIMETERS].
2. MINIMUM FRONT SERVICE CLEARANCE IS 36.00 INCHES [914 mm].
3. CONDUIT ENTRANCE IS TOP OR BOTTOM OF UNIT.
4. UNIT WEIGHT IS 121 lbs [55 kg].
5. INSTALLATION MUST COMPLY WITH ALL APPLICABLE NATIONAL AND LOCAL CODES

TYPE: SBP-80A-SS (SINGLE OPERATION, SINGLE MAINS)

THIS DRAWING AND SPECIFICATIONS HEREIN ARE THE PROPERTY OF AMERICAN POWER CONVERSION AND SHALL NOT BE COPIED, REPRODUCED OR USED IN WHOLE OR IN PART, AS THE BASIS FOR THE MANUFACTURE OR SALE OF ITEMS WITHOUT WRITTEN PERMISSION FROM APC. THIS DRAWING IS BASED UPON LATEST AVAILABLE INFORMATION AND IS SUBJECT TO CHANGE WITHOUT NOTICE.

TITLE: SILCON UPS  
208V, 3PH, 40KW, 1MOD, SINGLE FEED  
MAINTENANCE BYPASS PANEL  
MAIN MECHANICAL

PROJECT: SUBMITTAL DRAWINGS SHEET 2 OF 3

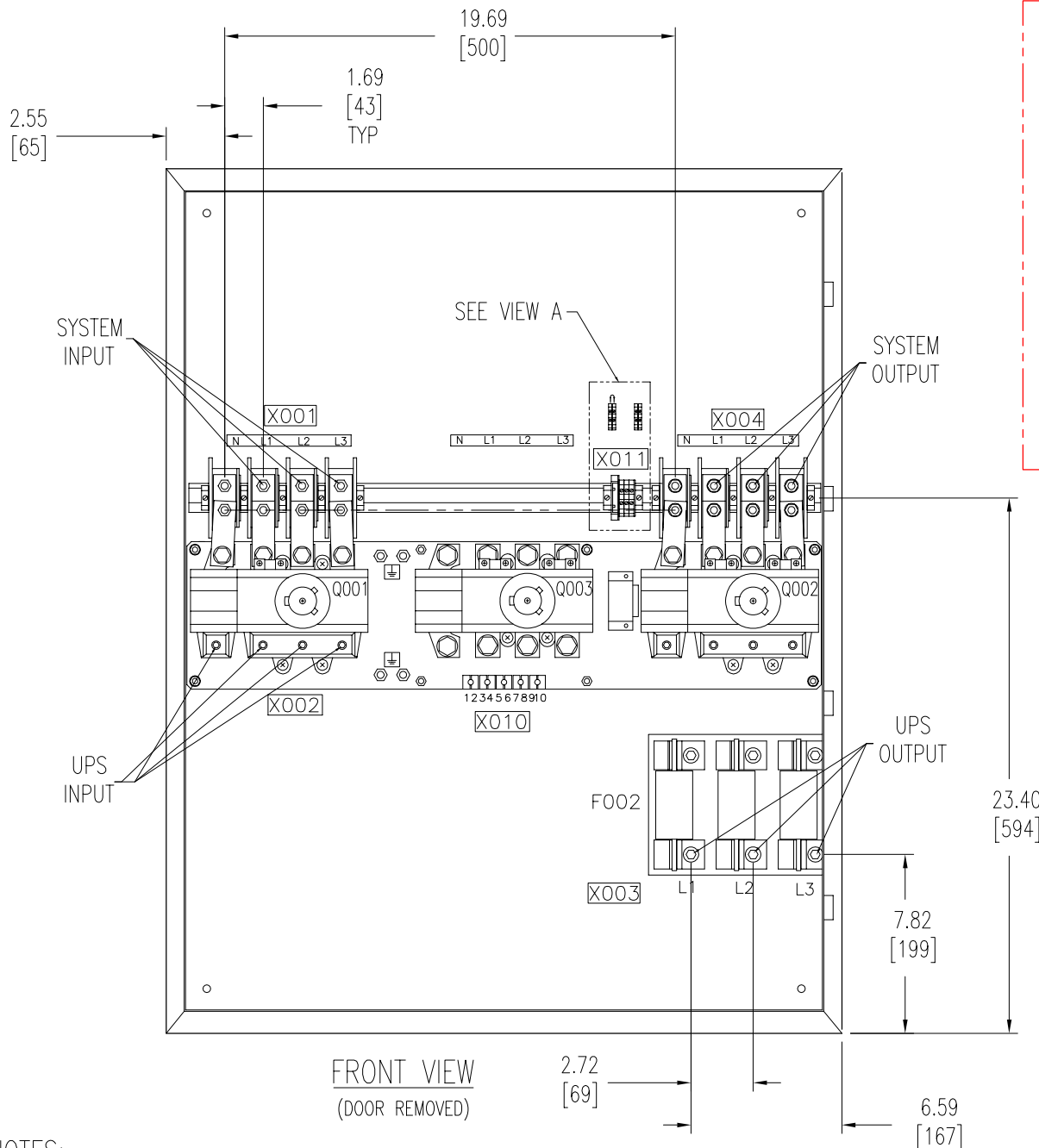
DWG NO: SBP40KFC1M1-MM REV. 2

DRAWN BY: JAYAPRAKASH 12/13/06

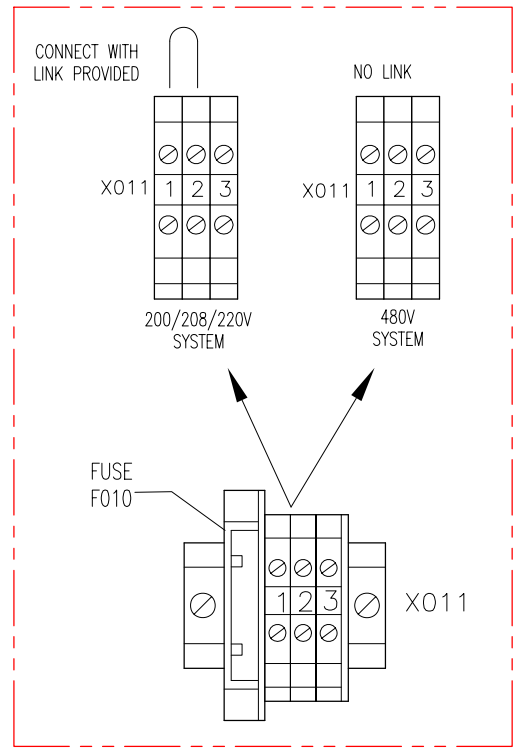
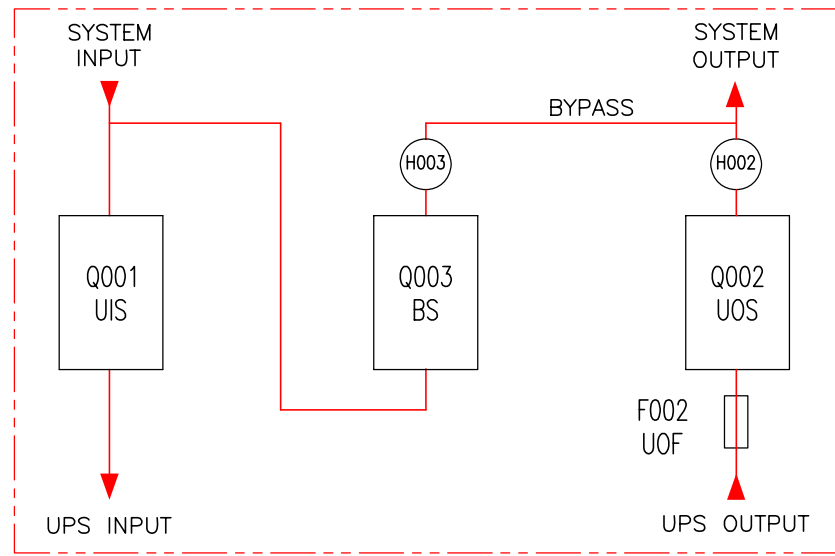
CHECKED BY: J RING 12/13/06

ENGINEER: B SHERIDAN/E SILVA 12/13/06





POWER FLOW DIAGRAM



VIEW A (ENLARGED)  
CONTROL WIRING

- NOTES:
1. ALL DIMENSIONS ARE IN INCHES [MILLIMETERS].
  2. CONDUIT ENTRANCE IS TOP OR BOTTOM OF UNIT.
  3. INTERNAL OUTPUT FUSES F002 = 125A
  4. INSTALLATION MUST COMPLY WITH ALL APPLICABLE NATIONAL AND LOCAL CODES

THIS DRAWING AND SPECIFICATIONS HEREIN ARE THE PROPERTY OF AMERICAN POWER CONVERSION AND SHALL NOT BE COPIED, REPRODUCED OR USED IN WHOLE OR IN PART, AS THE BASIS FOR THE MANUFACTURE OR SALE OF ITEMS WITHOUT WRITTEN PERMISSION FROM APC. THIS DRAWING IS BASED UPON LATEST AVAILABLE INFORMATION AND IS SUBJECT TO CHANGE WITHOUT NOTICE.		TITLE: SILCON UPS 208V, 3PH, 40KW, 1MOD, SINGLE FEED MAINTENANCE BYPASS PANEL ELECTROMECHANICAL	DWG NO.: SBP40KFC1M1-ME	REV. 2	<p>AMERICAN POWER CONVERSION 132 FAIRGROUNDS RD WEST KINGSTON, RI 02892</p>
PROJECT: SUBMITTAL DRAWINGS	SHEET 3 OF 3	ENGINEER: B SHERIDAN/E SILVA	CHECKED BY: J RING	12/13/06	
			DRAWN BY: JAYAPRAKASH	12/13/06	