

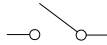
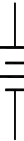



## DRAWING GUIDE - APC Smart-UPS Li-Ion

Sheet No.	Component /Detail	Description
1	Drawing Guide	APC Smart-UPS Li-Ion, Short depth SMTL1500RMI3UC, 230VAC Drawing Guide
2	Isometric View	APC Smart-UPS Li-Ion, Short depth SMTL1500RMI3UC, 230VAC Isometric View
3	General Arrangement	APC Smart-UPS Li-Ion, Short depth SMTL1500RMI3UC, 230VAC, General Arrangement
4	One Line Diagram	APC Smart-UPS Li-Ion, Short depth SMTL1500RMI3UC, 230VAC, System One Line Diagram

LEGEND			
SYMBOL	DESCRIPTION	SYMBOL	DESCRIPTION
	CIRCUIT BREAKER		DC-AC CONVERTER (INVERTER)
	RELAY		BATTERY
	PE		

THIS DRAWING AND SPECIFICATIONS HEREIN ARE THE PROPERTY OF SCHNEIDER ELECTRIC AND SHALL NOT BE COPIED, REPRODUCED OR USED IN WHOLE OR IN PART, AS THE BASIS FOR THE MANUFACTURE OR SALE OF ITEMS WITHOUT WRITTEN PERMISSION FROM SCHNEIDER ELECTRIC. THIS DRAWING IS BASED UPON LATEST AVAILABLE INFORMATION AND IS SUBJECT TO CHANGE WITHOUT NOTICE.

**Schneider  
Electric**

TITLE: APC Smart-UPS Lithium-Ion, RACK MOUNT  
INPUT: 1PH, 230VAC (L+N+G), 50/60Hz, IEC320 C14  
OUTPUT: 1PH, 230VAC (L+N+G), 50/60Hz, (6)IEC320 C13  
SHORT-DEPTH, 1500VA, UPS WITH SmartConnect  
DRAWING GUIDE

DWG NO: SMTL1500RMI3UC

REV. 0

DRAWN: JAYAPRAKASH 21-OCT-19

ENGINEER: NORA GU 05-NOV-19

APPROVED: HUAFENG SONG 05-NOV-19

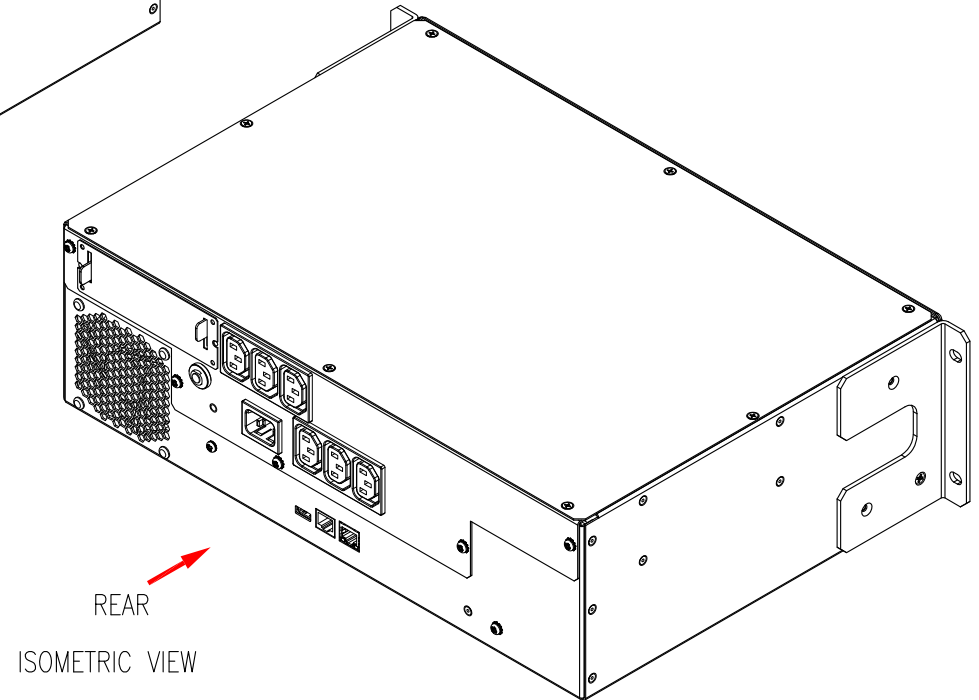
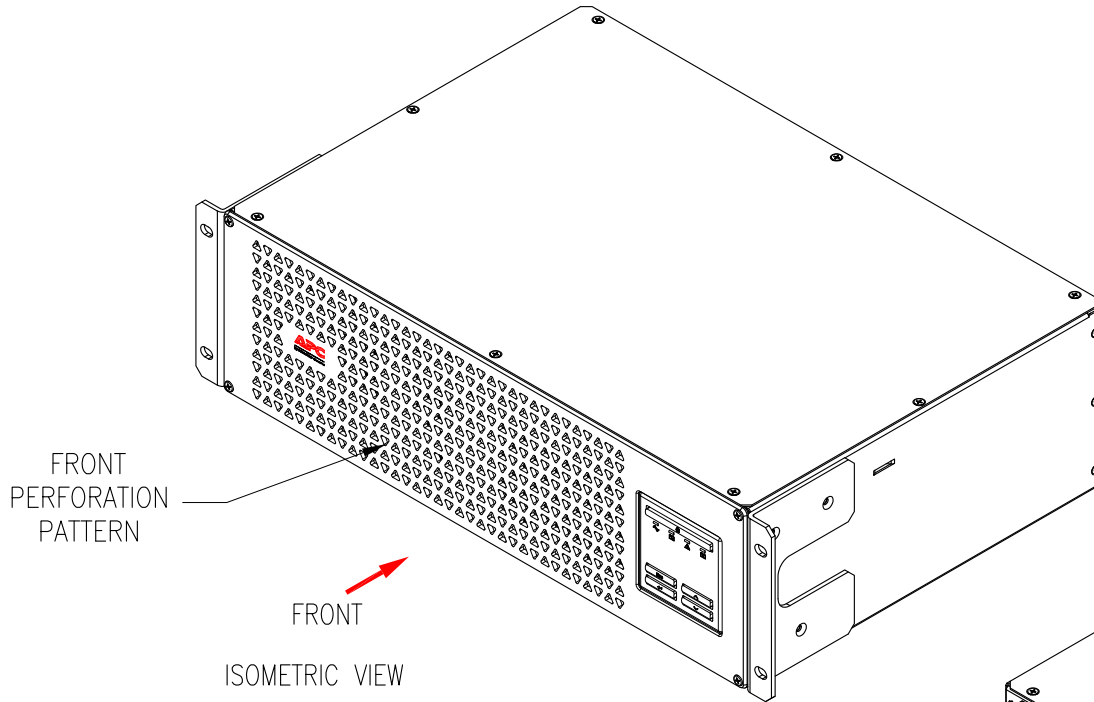
ANGLE

PROJECTION

N.A

PROJECT: DRAWINGS SHEET 1 OF 4

SKU #: SMTL1500RMI3UC



- NOTES:
1. INSTALLATION SHALL COMPLY WITH ALL APPLICABLE NATIONAL AND LOCAL ELECTRICAL REGULATIONS.
  2. REFER TO PRODUCT DOCUMENTATION FOR ADDITIONAL DETAILS PRIOR TO INSTALLATION AND SITE PREPARATION WORK.

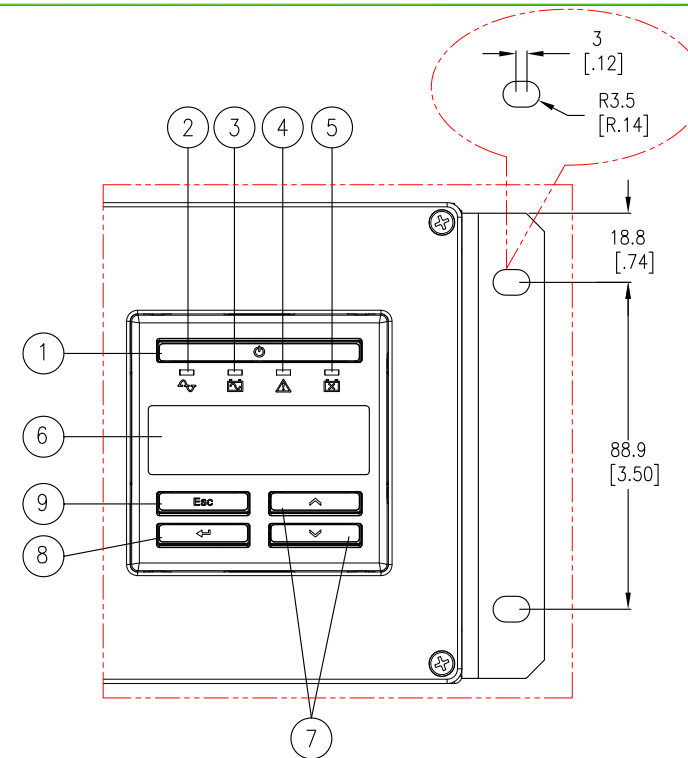
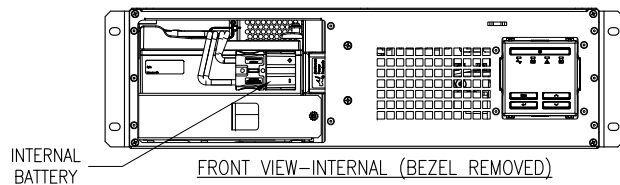
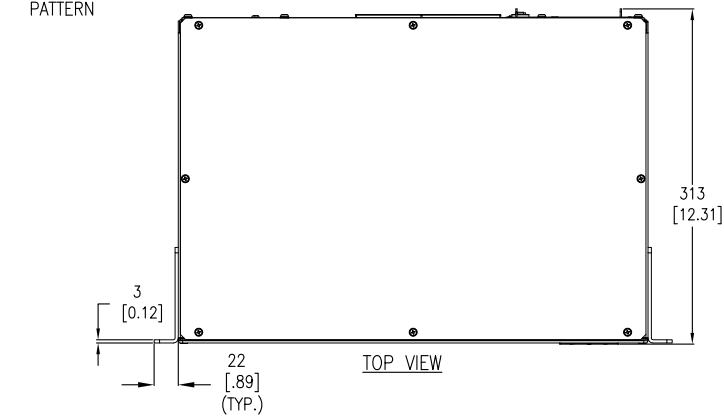
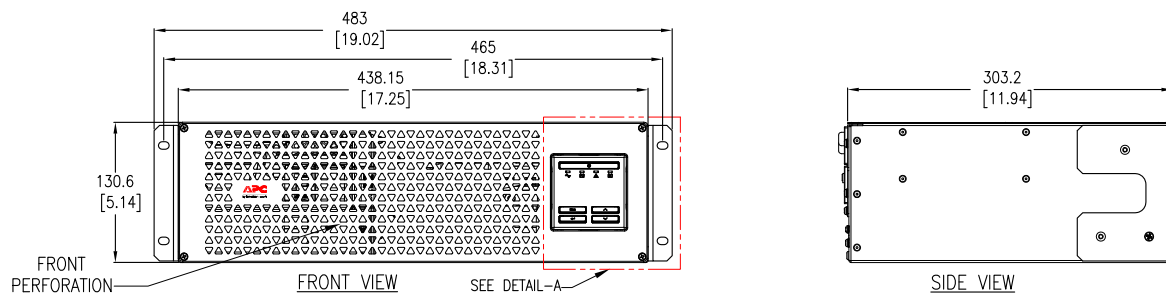
THIS DRAWING AND SPECIFICATIONS HEREIN ARE THE PROPERTY OF SCHNEIDER ELECTRIC AND SHALL NOT BE COPIED, REPRODUCED OR USED IN WHOLE OR IN PART, AS THE BASIS FOR THE MANUFACTURE OR SALE OF ITEMS WITHOUT WRITTEN PERMISSION FROM SCHNEIDER ELECTRIC. THIS DRAWING IS BASED UPON LATEST AVAILABLE INFORMATION AND IS SUBJECT TO CHANGE WITHOUT NOTICE.



TITLE: APC Smart-UPS Lithium-Ion, RACK MOUNT  
 INPUT: 1PH, 230VAC (L+N+G), 50/60Hz, IEC320 C14  
 OUTPUT: 1PH, 230VAC (L+N+G), 50/60Hz, (6)IEC320 C13  
 SHORT-DEPTH, 1500VA, UPS WITH SmartConnect  
 ISOMETRIC VIEW

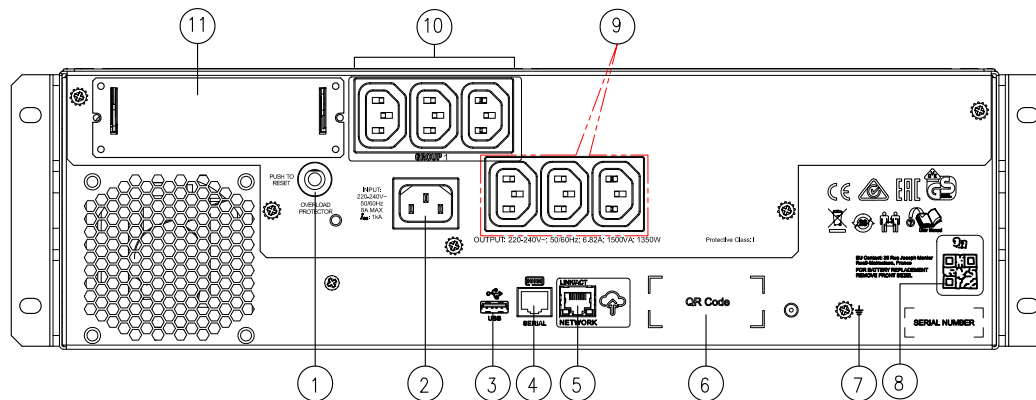
PROJECT: DRAWINGS SHEET 2 OF 4

DWG NO:	SMTL1500RMI3UC	REV:	0
DRAWN:	JAYAPRAKASH	21-OCT-19	FIRST ANGLE PROJECTION
ENGINEER:	NORA GU	05-NOV-19	
APPROVED:	HUAFENG SONG	05-NOV-19	



DETAIL-A, DISPLAY INTERFACE (ENLARGED VIEW)

- 1. ONLINE LED.
- 2. UPS ON/OFF
- 3. ON BATTERY LED.
- 4. ERROR DETECTED LED.
- 5. REPLACE BATTERY LED.
- 6. MULTI-LINGUAL DISPLAY SCREEN.
- 7. UP/DOWN SELECTION ARROW.
- 8. ENTER.
- 9. ESCAPE.



- 1. INPUT CIRCUIT BREAKER
- 2. UPS INPUT CONNECTOR - IEC320 C14 MALE SNAP IN AC INLET.
- 3. USB PORT
- 4. SERIAL PORT
- 5. APC SmartConnect PORT
- 6. LINK AND DATA FOR SmartConnect
- 7. CHASSIS GROUND SCREW CONNECTION SCREW
- 8. LINK TO ONLINE USER MANUAL
- 9. MAIN OUTLET GROUP-3P 10A/250VAC CONNECTOR ICE320 C13 X (3)
- 10. CONTROLLED OUTLET GROUP1-3P 10A/250VAC CONNECTOR ICE320 C13 X (3)
- 11. SMART SLOT

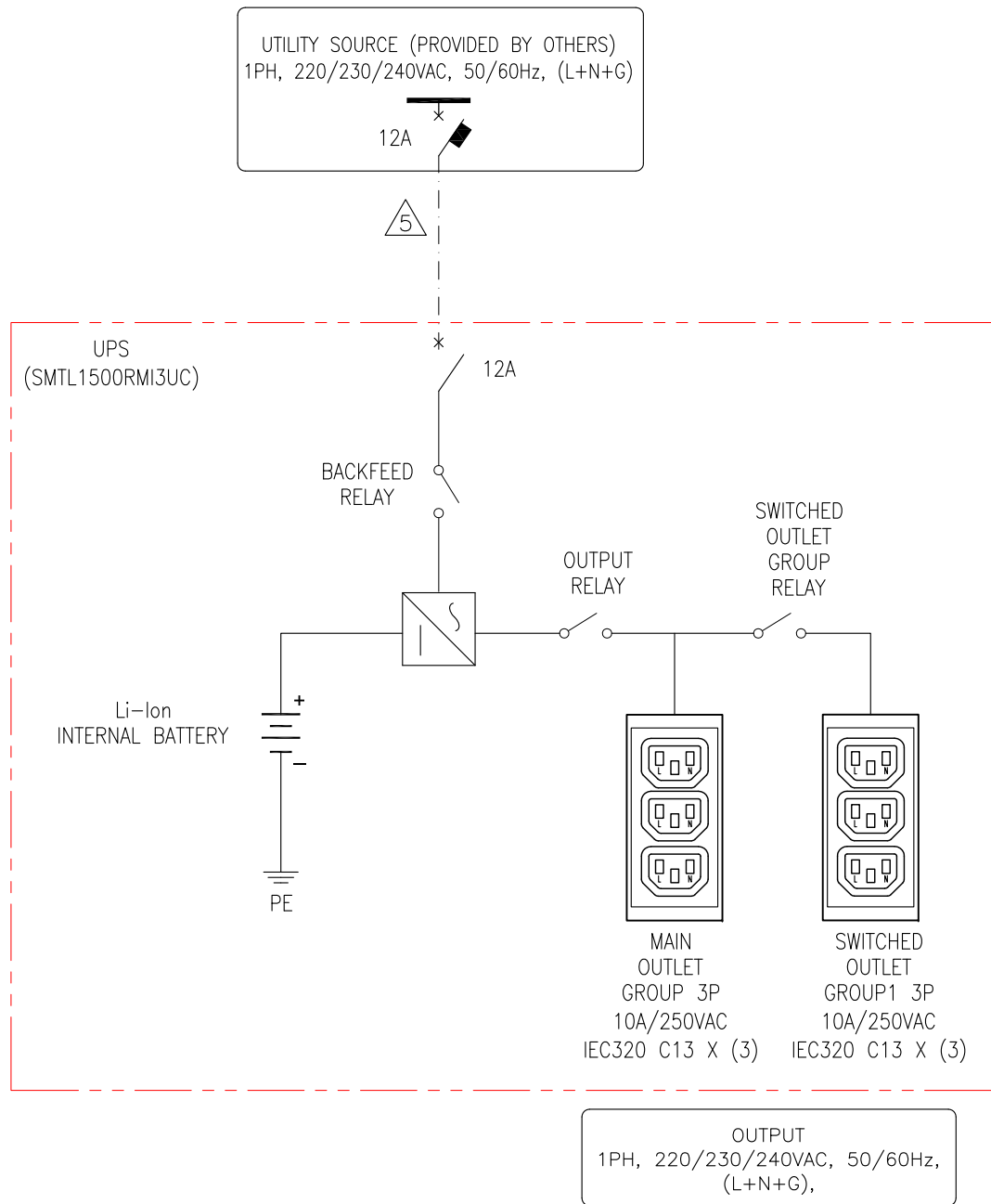
- NOTES:**
- INSTALLATION SHALL COMPLY WITH ALL APPLICABLE NATIONAL AND LOCAL ELECTRICAL REGULATIONS.
  - REFER TO PRODUCT DOCUMENTATION FOR ADDITIONAL DETAILS PRIOR TO INSTALLATION AND SITE PREPARATION WORK.
  - ALL DIMENSIONS ARE IN MILLIMETERS [INCHES].
  - CONNECTOR ENTRY IS FROM REAR OF UNIT.
  - WEIGHT OF UNIT IS **19.5kg [43 lb]**.

THIS DRAWING AND SPECIFICATIONS HEREIN ARE THE PROPERTY OF SCHNEIDER ELECTRIC AND SHALL NOT BE COPIED, REPRODUCED OR USED IN WHOLE OR IN PART, AS THE BASIS FOR THE MANUFACTURE OR SALE OF ITEMS WITHOUT WRITTEN PERMISSION FROM SCHNEIDER ELECTRIC. THIS DRAWING IS BASED UPON LATEST AVAILABLE INFORMATION AND IS SUBJECT TO CHANGE WITHOUT NOTICE.



TITLE: APC Smart-UPS Lithium-Ion, RACK MOUNT  
 INPUT: 1PH, 230VAC (L+N+G), 50/60Hz, IEC320 C14  
 OUTPUT: 1PH, 230VAC (L+N+G), 50/60Hz, (6)IEC320 C13  
 SHORT-DEPTH, 1500VA, UPS WITH SmartConnect  
 GENERAL ARRANGEMENT

DWG NO: SMTL1500RMI3UC REV: 0  
 DRAWN: JAYAPRAKASH 21-OCT-19 FIRST ANGLE PROJECTION  
 ENGINEER: NORA GU 05-NOV-19  
 APPROVED: HUAFENG SONG 05-NOV-19



**NOTES:**

1. INSTALLATION SHALL COMPLY WITH ALL APPLICABLE NATIONAL AND LOCAL ELECTRICAL REGULATIONS.
2. REFER TO PRODUCT DOCUMENTATION FOR ADDITIONAL DETAILS PRIOR TO INSTALLATION AND SITE PREPARATION WORK.
3. DRAWING DEPICTS POWER SYSTEM CONNECTIONS AND IS NOT REPRESENTATIVE OF PHYSICAL LAYOUT. PLEASE REFER TO MECHANICAL DRAWINGS FOR MORE SPECIFIC PHYSICAL DATA.
4. UTILITY SOURCE MUST BE 1PH, 220/230/240VAC (L+N+G), 50/60Hz PROVIDED BY OTHERS.
- △ 5. DASHED LINES BETWEEN UTILITY SOURCE AND THE UNIT REPRESENTS THE IEC320 C14 INPUT POWER CORDSET AND NOT PROVIDED WITH THE UNIT.

THIS DRAWING AND SPECIFICATIONS HEREIN ARE THE PROPERTY OF SCHNEIDER ELECTRIC AND SHALL NOT BE COPIED, REPRODUCED OR USED IN WHOLE OR IN PART, AS THE BASIS FOR THE MANUFACTURE OR SALE OF ITEMS WITHOUT WRITTEN PERMISSION FROM SCHNEIDER ELECTRIC. THIS DRAWING IS BASED UPON LATEST AVAILABLE INFORMATION AND IS SUBJECT TO CHANGE WITHOUT NOTICE.



TITLE: APC Smart-UPS Lithium-Ion, RACK MOUNT  
 INPUT: 1PH, 230VAC (L+N+G), 50/60Hz, IEC320 C14  
 OUTPUT: 1PH, 230VAC (L+N+G), 50/60Hz, (6)IEC320 C13  
 SHORT-DEPTH, 1500VA, UPS WITH SmartConnect  
 SYSTEM ON-LINE DIAGRAM

DWG NO:	SMTL1500RMI3UC	REV:	0
DRAWN:	JAYAPRAKASH	21-OCT-19	ANGLE PROJECTION
ENGINEER:	NORA GU	05-NOV-19	
APPROVED:	HUAFENG SONG	05-NOV-19	