

Cable Management

Keeping hands, feet and cables Shearsafe™

Floor Boxes

OptiLine 70



CLIPSAL®

by Schneider Electric

Schneider
Electric

The Clipsal brand is part of Schneider Electric.

Where safety and flexibility meet

Access to power should be flexible and, most importantly, safe. Clipsal by Schneider Electric designed this convenient way of delivering access to power, data, telephone and video for any office environment. When not in use, you'll barely know they are there.

Features and benefits

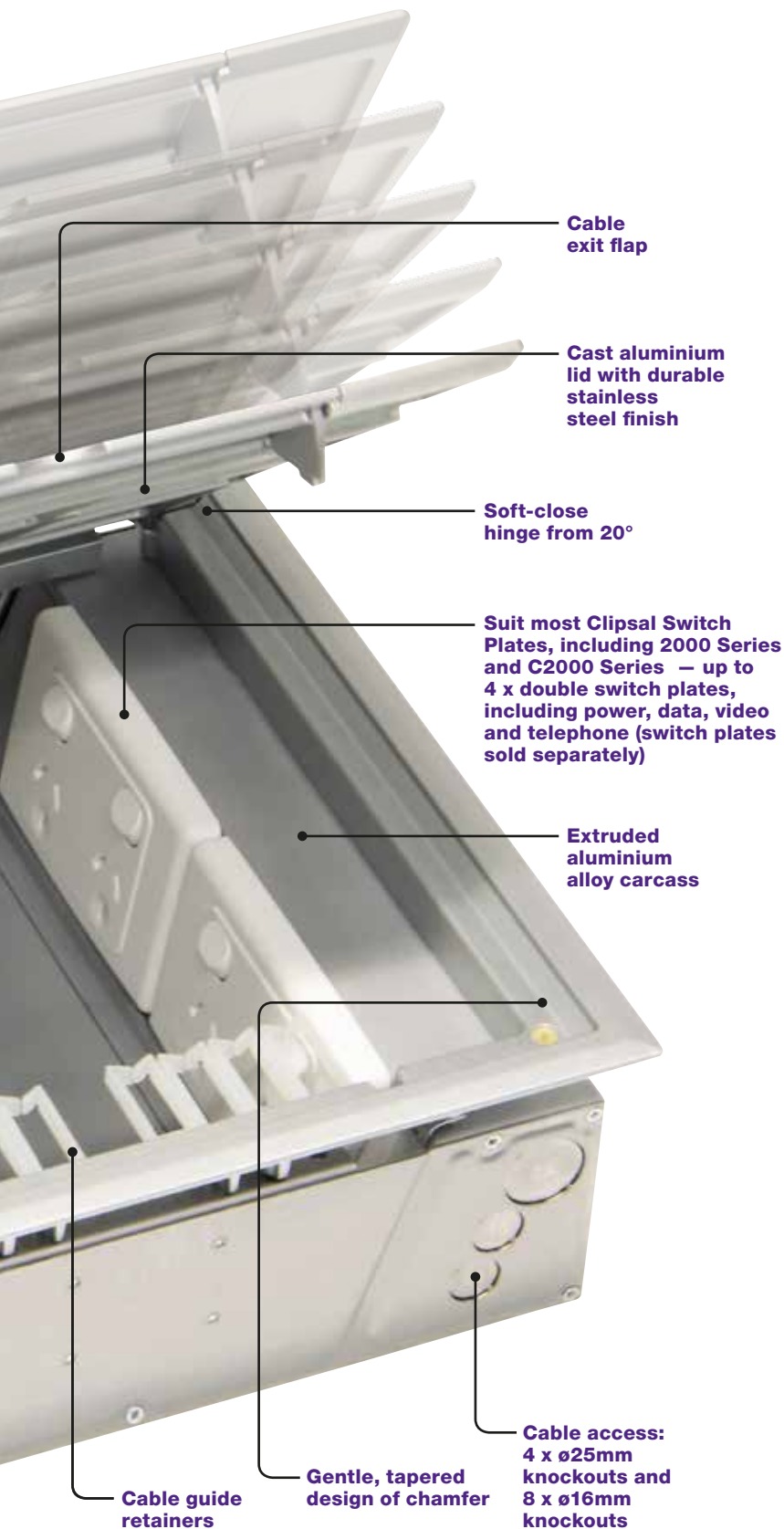
- Suit most Clipsal Switch Plates, including 2000 Series™ and C2000 Series™
- Up to four, double Switch Plates per Floor Box with options for Power, Data, Video and Telephone
- Aluminium alloy lid with stainless steel finish
- PC/ABS plastic lid with galvanised steel plate insert
- Lid working range opens to 80°
- Shearsafe technology includes soft-close lid to protect users and cables
- 70mm grid spacings to accommodate other accessories from the OptiLine 70 range
- Flexible design for retrofitting into older floor box carcasses
- IP40 rating
- Earth tab and kit for safe installation



Safety is paramount

The Shearsafe technology includes an automatic, soft-close function that comes with the aluminium alloy lid. The lid can remain open at 80°, or soft-close from 20°, preventing it slamming directly onto hands, feet and cables. The gentle, tapered design of the lid's chamfered edges also reduces the guillotining action when it eventually closes. OptiLine 70 Floor Boxes are the only floor boxes on the Australian market with Shearsafe technology to protect users and cables.





Applications

OptiLine 70 Floor Boxes create convenient access to power, without creating a hazardous environment. The electrical cables run safely through the cable guide retainers and out through the exit flap, so the lid can remain closed when unattended.

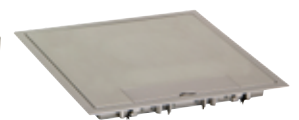
Schools, open-plan offices, exhibition centres and shopping centres are some of the specific applications considered when Clipsal by Schneider Electric designed this truly flexible electrical delivery solution.

All flooring types

The range includes two lid designs (recessed or flush) that will complement all types of flooring, such as concrete slabs, raised floor tiles and carpet. The floor box carcass is made from extruded aluminium alloy. Then, you can choose from either the aluminium alloy lid with stainless steel finish (recessed or flush) or the plastic lid (recessed only).



INS62045
Carcass (Switch
Plates sold separately)



INS62041
Flush Stainless
Steel Finish Lid



LT-900
Recessed
Plastic Lid



INS62040
Recessed Stainless
Steel Finish Lid

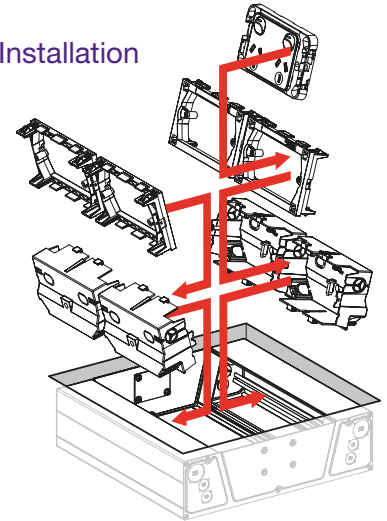
Dimensions

Cat. No.	Description	Dimensions	Cut-Out
INS62042	OL70 Complete Unit; Suits up to 4 x Power & 6 x Data or up to 12 x Data with SS Recessed Lid	310.5mm x 310.5mm x 105mm	293mm x 293mm x 118mm
INS62043	OL70 Complete Unit; Suits up to 4 x Power & 6 x Data or up to 12 x Data with SS Flush Lid	310.5mm x 310.5mm x 105mm	293mm x 293mm x 118mm
INS62044	OL70 Complete Unit; Suits up to 4 x Power & 6 x Data or up to 12 x Data with Plastic Lid	310.4mm x 310.4mm x 131mm	293mm x 293mm x 131mm
INS62045	OL70 Carcass	290mm x 290mm x 80mm	293mm x 293mm x 83mm
INS62041	OL70 Lid Stainless Steel Finish Flush	310.5mm x 310.5mm x 26mm	
INS62040	OL70 Lid Stainless Steel Finish Recessed	310.5mm x 310.5mm x 26mm	
LT-900	OL70 Lid Plastic Recessed	310.4mm x 310.4mm x 51mm	

Technical specifications

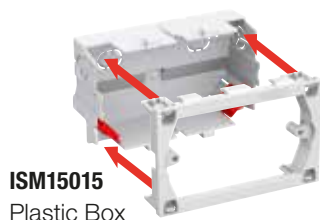
Parameter	Description
Maximum Opening Lid Angle	80° (+ or - 5°)
Metal Lid Material	Aluminium Alloy (Nickel Plated)
Plastic Lid Material	PC/ABS (Galvanised 4mm Steel Adhesion Surface)
Carcass Material	Aluminium Alloy
Metal Lid Finish	Stainless Steel (Slip-Resistant, Brushed)
Carcass Finish	Stainless Steel
Ingress Protection Code	IP40
Load Rating	200kg
Suitable outlets	Suit most Clipsal Switch Plates, including 2000 Series and C2000 Series (Power, Data, Video, Telephone)

Installation



Accessories

Please note: additional accessories (below) are required for installation of all OptiLine 70 Floor Boxes and must be ordered separately.



ISM15015
Plastic Box

ISM15150
Plastic Power/Data
Adapter



MDE0LSPTD
Galvanised Metal
Power/Data Shroud

For more information about the Clipsal OptiLine 70 solution, contact your local Clipsal and Schneider Electric Partner Business Representative, electrical wholesaler or visit clipsal.com/cablemanagement

The complete OptiLine 70 solution

The full OptiLine 70 range includes Trunking, Poles, Posts and Floor Boxes. These products can provide integrated power, data, video and telephone delivery solutions for ceilings, walls and desks, and are designed to fulfil the most stringent demands for function, design, convenience and safety.



Schneider Electric (Australia) Pty Ltd

33-37 Port Wakefield Road
Gepps Cross
South Australia 5094
PO Box 132, Enfield Plaza
South Australia 5085

National Customer Care
Enquiries: 1300 2025 25
Email: plugin@clipsal.com.au
Access this document directly:
clipsal.com/brochures

Schneider Electric (Australia) Pty Ltd reserves the right to change specifications, modify designs and discontinue items without incurring obligation and whilst every effort is made to ensure that descriptions, specifications and other information in this catalogue are correct, no warranty is given in respect thereof and the company shall not be liable for any error therein.

Trademarks are owned by Schneider Electric Industries SAS or its affiliated companies.

This document has been printed using FSC Mix Certified paper. ISO 14001 environmental management system in use at mill.