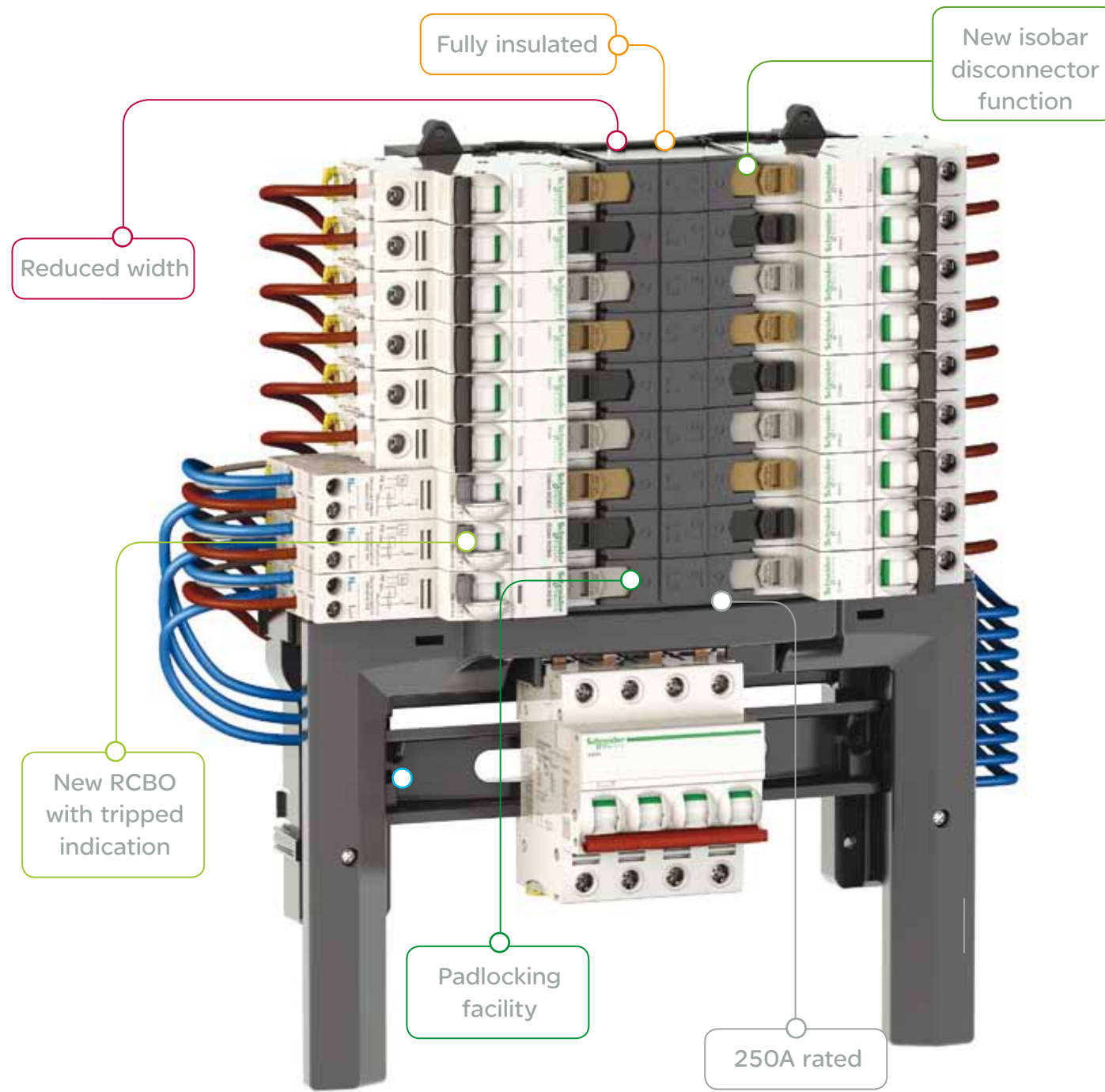


5 generations

of industry experience and 22 new patents make Acti 9 the new reference in low-voltage modular systems



> Acti 9

Unmatched, aesthetically attractive design
Unparalleled high-quality fit and finish

"You can tell it's a high-quality product when you hold it"



100%

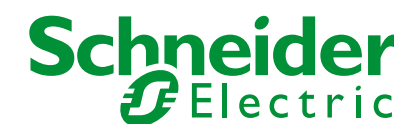
recyclable and recoverable materials, RoHS compliant, and REACH

Schneider Electric Ltd

United Kingdom
Stafford Park 5,
Telford
Shropshire
TF3 3BL
Tel: 0870 608 8 608
Fax: 0870 608 8 606
www.schneider-electric.com/uk

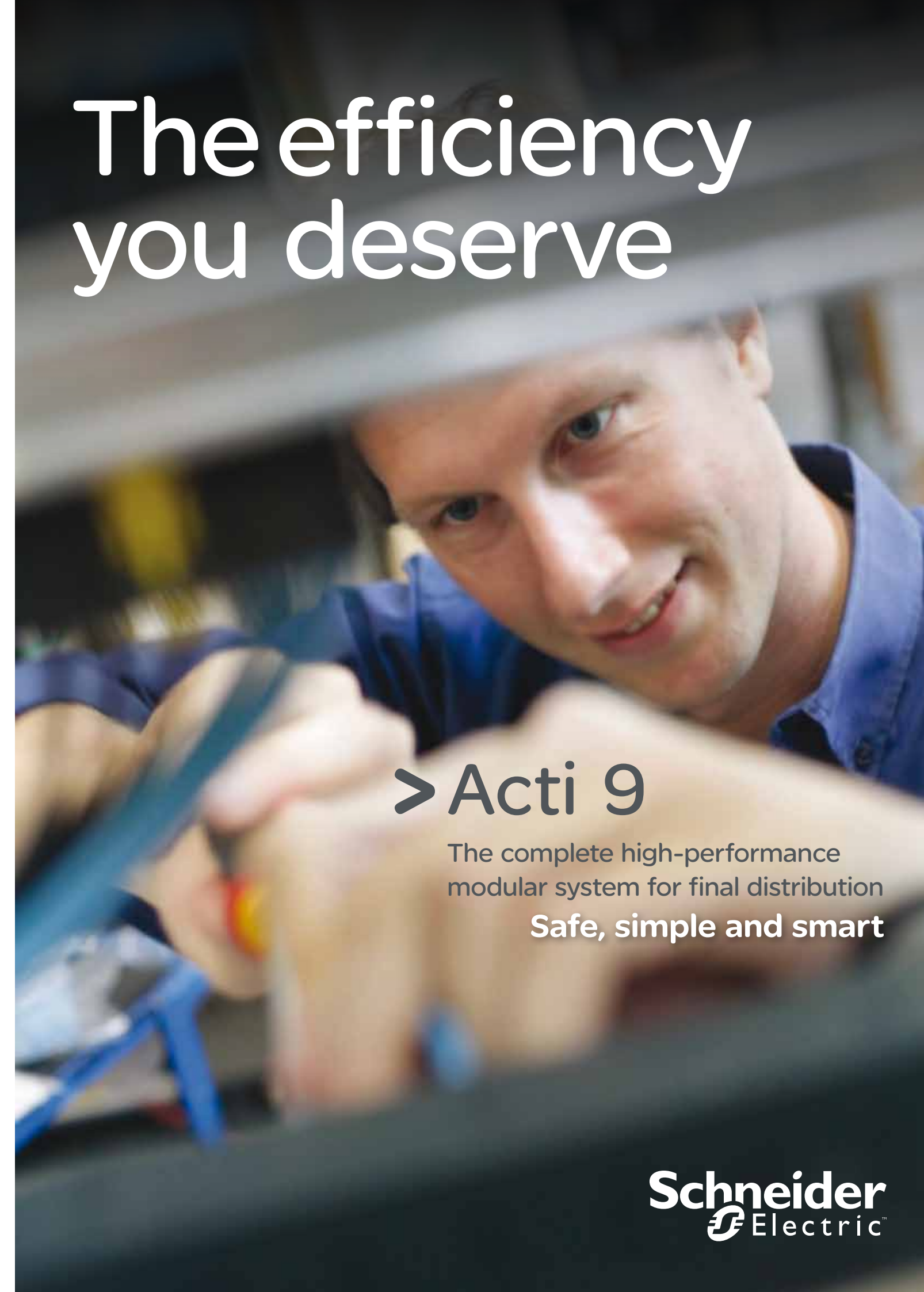
Ireland
Head office,
Block a
Maynooth Business Campus
Maynooth, Co. Kildare
Tel: (01) 601 2200
Fax: (01) 601 2201
www.schneider-electric.com/ie

©2013 Schneider Electric. All Rights Reserved. Schneider Electric, Acti 9, Vigi, VisiSafe, EverPlug, Reflex, QuickVigi, Multiclip, Distribloc, Energy University, and VisiTrip are trademarks owned by Schneider Electric Industries SAS or its affiliated companies. All other trademarks are property of their respective owners. Design: Global Marketing, Communications Strategy and Design 998-2918_GMA



SE6070 MAR 2013

The efficiency you deserve



> Acti 9

The complete high-performance modular system for final distribution
Safe, simple and smart



> Acti 9

Exclusive new features give you the safest, simplest and most efficient installations

The most flexible and innovative low-voltage modular system

Acti 9™ gives you unmatched efficiency, reduces design and installation time, eliminates down time, and makes your business even more competitive. It simplifies your final distribution operations with the right solution for every application. It even adds control and communication capabilities, integrating easily with any facility management system and adapting to the dynamic requirements of tertiary and industrial lighting applications.

VisiTrip™



Fast location of the faulty outgoing minimises down time

Acti 9 Smartlink



Connects Acti 9 devices in one-click, for easy integration with any facility management system

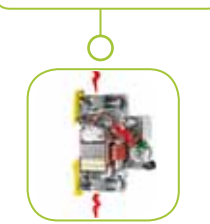


VisiSafe™



Guaranteed safe intervention on-site

Front Face Class 2



Continuous safety for operators and non-qualified personnel

Reflex™ iC60



All-in-one concept integrated control circuit breaker of the Acti 9 system

> Acti 9

The safest, simplest and most efficient system for power distribution solutions

"When I install the Acti 9 I know I don't have to come back to the job"

Circuit breakers

- 1 pole
- 2 poles
- 3 poles
- 4 poles

Electrical auxiliaries

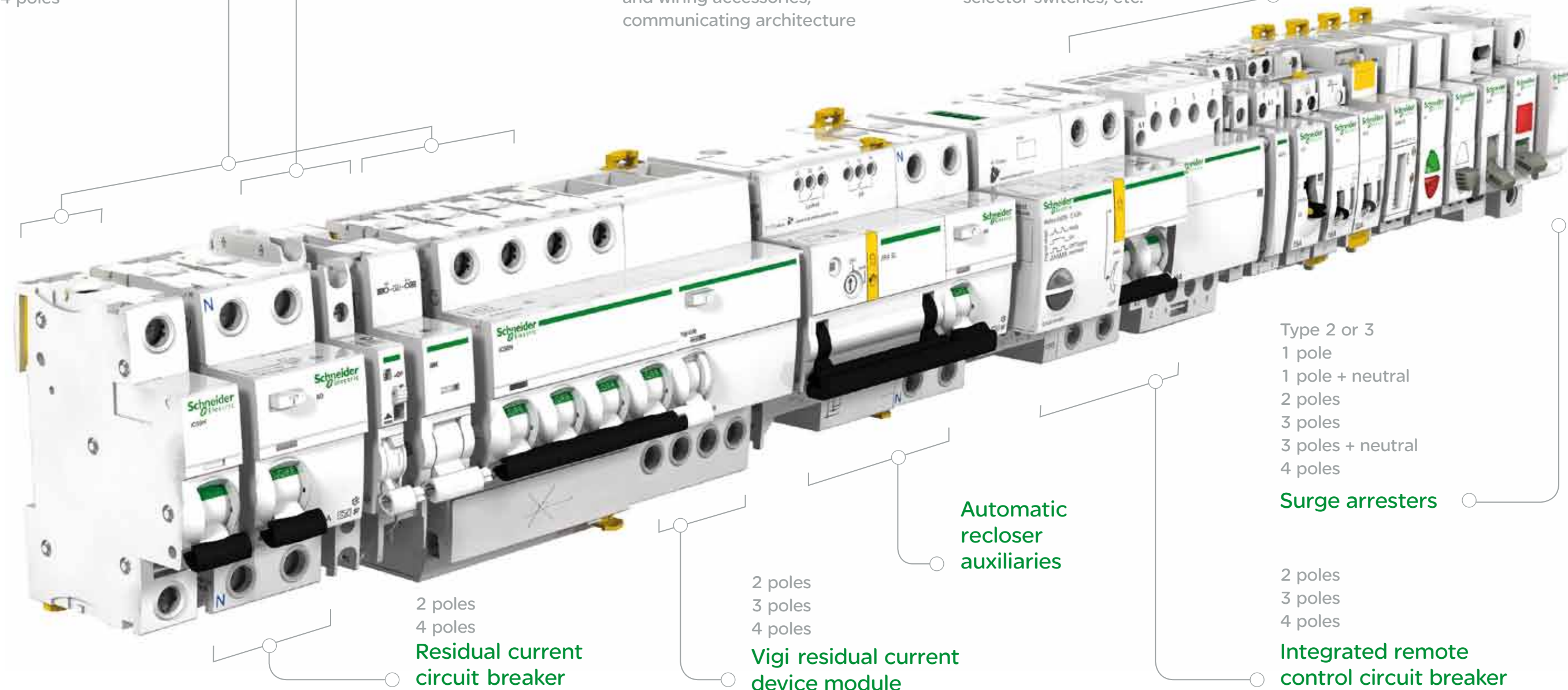
Tripping, notification, indication and remote status indication

Installation systems

Isobar, IP20B terminals, splitter block, full range of mounting and wiring accessories, communicating architecture

Control

Contactors, impulse relays, indicator lights, pushbuttons, kilowatt hour meters and selector switches, etc.



- Type 2 or 3
- 1 pole
- 1 pole + neutral
- 2 poles
- 3 poles
- 3 poles + neutral
- 4 poles

Surge arresters

- 2 poles
- 3 poles
- 4 poles

Integrated remote control circuit breaker

- 2 poles
- 3 poles
- 4 poles

Vigi residual current device module

- 2 poles
- 4 poles

Residual current circuit breaker

Automatic recloser auxiliaries

100%

safe for installers and users in the most severe environments

100%

coordination between MCB and actuator

100%

preventative maintenance

15%

time saved on design and installation

0%

down time



best choice for industrial and tertiary buildings

Technical characteristics

Circuit breakers iC60, H

ICU (A) at 400V - IEC/EN 60898-1	10000, 15000
ICU (kA) at 415V - IEC/EN 60947-2	10, 15, 20, 25, 50, 70, 100
Type	1P, 2P, 3P, 4P
Rating (A)	0,5 to 63
Curves	B, C, D
Standards	IEC/EN 60947-2, 60898-1



Residual current devices Vigi iC60

RCD Type	AC, A, SI	A
Type	2P, 3P, 4P	1P + N
Rating (A)	25, 40, 63	6 to 45
Standards	IEC/EN 61009-1	BSEN 61009-1
Sensitivity (mA)	10, 30, 100, 300, 300 [S], 500, 500 [S], 1000 [S]	10, 30, 100
Connection between iC60 and iC60 Vigi	'Quick connection' up to 40A	



Residual current circuit breakers iID

RCD Type	Asi, A, AC, B
Type	2P, 4P
Rating (A)	16 to 125
Standards	IEC/EN 61008-1
Sensitivity (mA)	10, 30, 100, 300, 300 [S], 500, 500 [S]



Electrical auxiliaries and mounting accessories



Combined IOF, ISD, IMN, IMX, and IMSU electrical auxiliaries between iC60 circuit breakers and iID residual current circuit breakers, automatic recloser (ARA), and remote control auxiliaries (RCA)

Terminal shields, interpole barrier, screw shields, padlocking device, clip-on terminal markers, and rotary handle

Surge arresters type 2 or 3

Type	IPF, IPRD
I max (kA)	1P, 1P+N, 2P, 3P, 3P+N, 4P
Standards	8, 20, 40, 65
Degree of protection	IEC 61643-1, IEC 61643-11
Degree of protection	IP20/IP40



Integrated remote control MCBs Reflex, iC60H

Curves	B, C, D
Type	2P, 3P, 4P
Rating (A)	10, 16, 25, 40
Standards	IEC 60947-2
Electrical endurance	30 000 cycles (AC1) 6 000 cycles (AC5 a/b) 50 000 cycles (AC21)



Control

	iCT	iTL	iPB	iSSW	iIL	iEN, iEM
Function	Contactors	Impulse Relays	Push-buttons	Switches	Indicator Lights	Kilowatt hour meters
Type	1P, 2P, 3P, 4P	1P, 2P, 3P, 4P	single double single + indicator light	1P, 2P, 3P, 4P	single double flashing light voltage presence	single phase three phases three phases neutral
Rating (A)	16, 25, 40, 63, 100	16 & 32	20	20 to 125		40 to 6000



Lighting, time and energy management

MIN	IH, IHP, ITM	IC	TH, THP	CDS
Silent electronic and electromechanical timers	Programmable and mechanical time switches	Standard and programmable twilight switches	Standard and weekly programmable thermostats	Single and three-phase load-shedders



Installation and wiring

Rating (A)	80	--	250
Degree of protection	IP20	IP20	IP31

