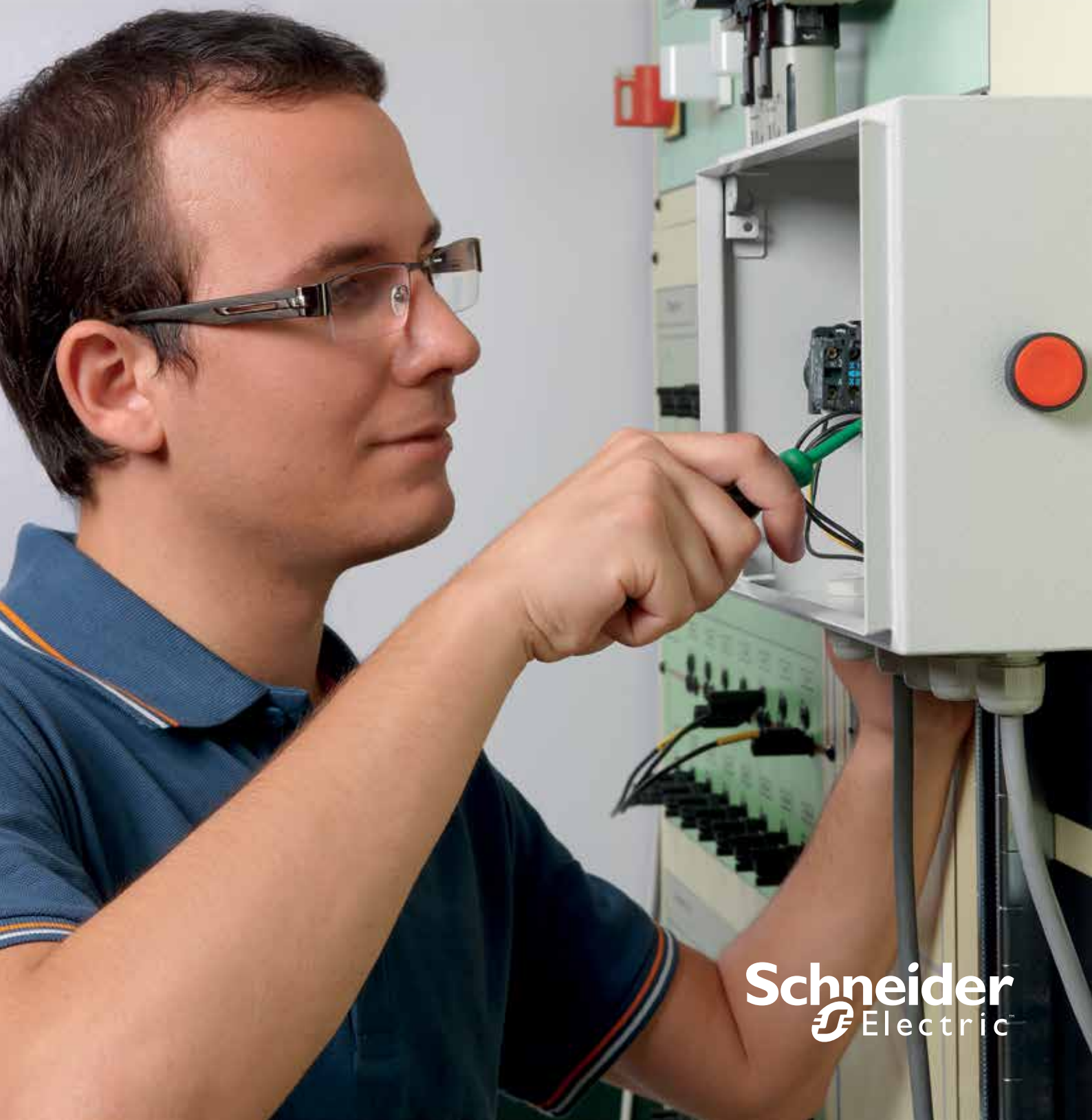


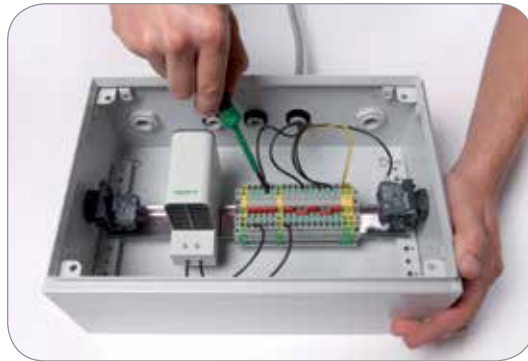
Simplicity, ergonomics and versatility – it's all in the

Spacial SBM
Steel Industrial Boxes



Schneider
Electric

All in the box: anytime, anywhere



Easy component installation and adjustment

Outstanding convenience, availability and support – all in one place

Special SBM and Linergy terminal blocks are supported by Schneider Electric whose world-wide reach offers a wide variety of value-added benefits that include:

- All the quality, availability and expertise you need from a single, trusted supplier
- World-wide availability from a local dealer near you
- Competitive pricing and financial terms
- Logistical and after sales support to minimise your challenges and maximise your profitability

One-stop solution

At Schneider Electric, we provide the full solution for your industrial boxes with all the required accessories, such as Linergy terminal blocks, mounting plates, or specially designed extension boxes.

Customisation

For installations where you need more than a standard solution, trust Schneider Electric to build a flexible enclosure solution that fits your needs:

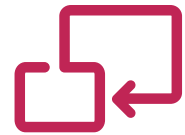
- For easy implementation that is specific to your industrial process
- To cut your production time and reduce logistics constraints
- To blend in with the aesthetics and ergonomics of your equipment
- For total confidence in the quality of your customised enclosure solution

Choose the leader

For decades, Schneider Electric has designed, engineered and manufactured innovative electrical distribution solutions for customers around the world.

Our acknowledged leadership in energy management and power protection has resulted in an unparalleled portfolio of high-quality products trusted for use in demanding applications.

Don't settle for less. Demand more.



Exclusive extension box for flexible dimension settings

The Spacial SBM range

Spacial SBM is a comprehensive range metallic boxes designed to provide outstanding value by being easier to choose, purchase, install and use. Schneider Electric has leveraged decades of global expertise supplying rugged, quality enclosures, to produce a broad range that delivers exceptional reliability and flexibility, compared to competing offers.

Spacial SBM provides the attributes you have always thought first-class automation enclosures should have – total safety and performance, so you can enjoy maximum peace of mind, combined with the end-to-end ease of use and efficiency you need to save time, reduce effort and cut costs.



FL21 cable entry compliant

Engineered for your business

Ergonomic – extension box and accessories for easy component installation and adjustment

Universal – worldwide FL21 cable entry compliant for seamless and easy connections

Compatible – easy to use, simple to install thanks to compatibility with many existing boxes and their accessories

Extensive – the industry's largest combination of dimensions, with 42 varieties in the catalogue

Durable – attractive and tough design for protection of your most sensitive electronics

Dependable – reliable delivery worldwide to get you up and running on schedule

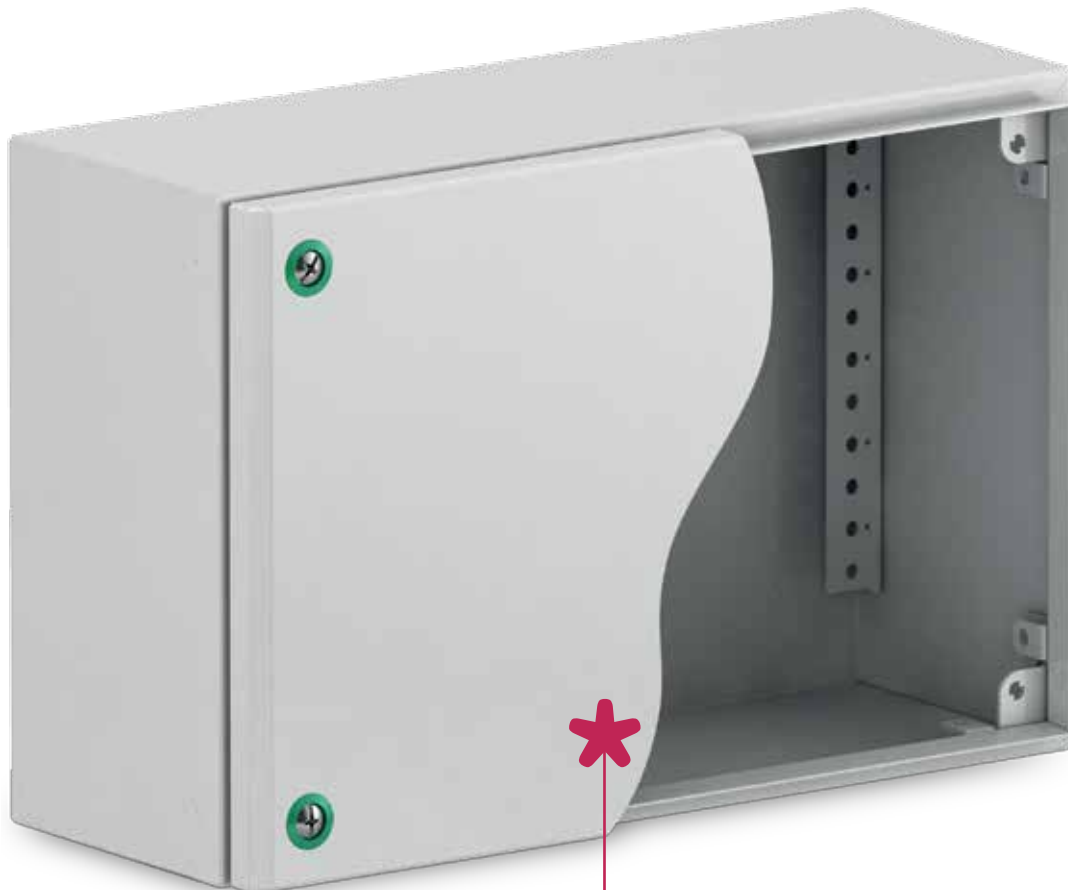


42 dimensions available

Designed to match your workflow

Everything you need

The Spacial SBM range is ideal for use in a diverse range of industrial machine and building functions. It offers the best performance in its class and is the result of forward-thinking design and meticulous manufacturing quality that you can count on.



Spacial SBM advantages

Protection

IP 66 or IP 55 across the range

Selection

80mm and 120mm depths available, with or without pre-built FL 21 cable entries

Strength

Rated up to IK 10

Ease of use

Install with just a screwdriver

Modularity

Straightforward range of widths, heights and depths

When the going gets tough – Spacial SBM is there

The Spacial SBM range is ready to deliver the protection you need in the industry's most challenging applications.

- 45 different boxes in plain versions, entry plate versions and a BUS version with a transparent door and entry plates are available
- 42 dimensions available resulting from 28 standard dimensions combined with exclusive extension boxes
- Industrial boxes with pre-built FL21 cable entries
- Steel enclosures, protected inside and outside with polyester paint in RAL 7035 grey
- Polyurethane sealing gasket applied throughout the range
- Multiple installation accessories

Linergy terminal blocks: the expert's choice

The perfect complement to your Spacial SBM enclosures

Your electrical installation is only as good as the high quality infrastructure that keeps it running trouble-free, so choose Linergy terminal blocks to realize all the benefits of Spacial SBM enclosures. Linergy terminal blocks are designed to ensure all your installations are quick to install, while providing the reliable performance you expect from a top-quality terminal block. All Linergy terminal blocks are engineered to provide firm connections and vibration-resistance, plus they are manufacture from tough, heat-resistant material to ensure a long service life.

Simple and fast installation

Streamlined options simplify the connection of a wide variety of electrical equipment, while a wide range of marking, connection and test accessories ensure your installations clear and logical.

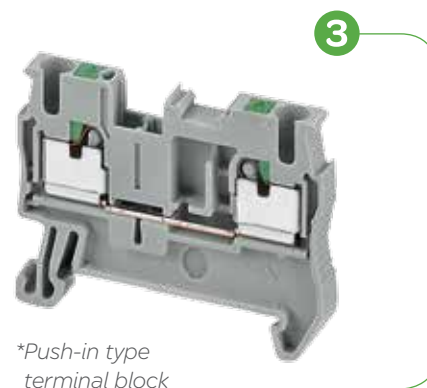
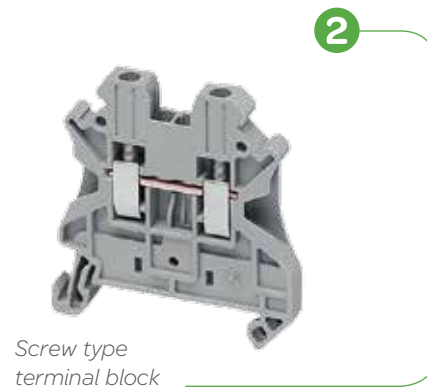
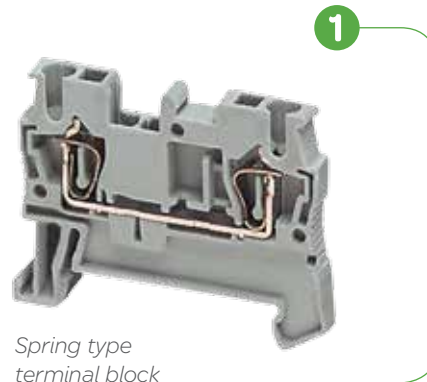
Three types of terminal blocks are available to suit your needs

- 1 Spring type** - When you need a solution that is fast and easy
- 2 Screw type** - When you need terminal blocks that suits the widest range of applications
- 3 *Push-in type** - When you need a connection technology that is quick and innovative

Linergy terminal block benefits include:

- > Fast and easy installation
- > Multiple connection options
- > International standards compliance
- > RoHS compliance

An extensive selection of connection and test accessories ensure your installations are completed quickly, easily and labelled clearly.



50%
faster installation*

Choose the leader

Spacial SBM steel industrial boxes attributes

Most commonly used enclosures and accessories.

	Reference	Dimensions			Accessories		
		Height	Width	Depth	Mounting plate	DIN Rail	Extension box
Flat face Boxes IP 66 IK 10	NSYSBM15158	150	150	80	NSYMM11SB	NSYAMRD15357SB	--
	NSYSBM15308	150	300	80	NSYMM13SB	NSYAMRD30357SB	--
	NSYSBM20208	200	200	80	NSYMM22SB	NSYAMRD20357SB	NSYAES228SB
	NSYSBM20308	200	300	80	NSYMM23SB	NSYAMRD30357SB	NSYAES238SB
	NSYSBM151512	150	150	120	NSYMM11SB	NSYAMRD15357SB	--
	NSYSBM203012	200	300	120	NSYMM23SB	NSYAMRD30357SB	NSYAES238SB
	NSYSBM204012	200	400	120	NSYMM24SB	NSYAMRD40357SB	NSYAES248SB
	NSYSBM303012	300	300	120	NSYMM33SB	NSYAMRD30357SB	NSYAES338SB
Cable entry boxes IP 55 IK 10	NSYSBMC154012	150	400	120	NSYMM14SB	NSYAMRD40357SB	--
	NSYSBMC203012	200	300	120	NSYMM23SB	NSYAMRD30357SB	NSYAES238SB
	NSYSBMC204012	200	400	120	NSYMM24SB	NSYAMRD40357SB	NSYAES248SB
	NSYSBMC206012	200	600	120	NSYMM26SB	NSYAMRD60357SB	NSYAES268SB
BUS box, with transparent door IP 55 IK 08	NSYSBMB203012	200	300	120	NSYMM23SB	Included	--
	NSYSBMB204012	200	400	120	NSYMM24SB	Included	--

IEC 62208, NEMA 4X and UL certifications.

For more information on Spacial SBM range: www.schneider-electric.com/uk

Make the most of your energySM

Schneider Electric Ltd

United Kingdom
Stafford Park 5,
Telford
Shropshire
TF3 3BL
Tel: 0870 608 8 608
Fax: 0870 608 8 606
www.schneider-electric.com/uk

Ireland
Head office,
Block a
Maynooth Business Campus
Maynooth, Co. Kildare
Tel: (01) 601 2200
Fax: (01) 601 2201
www.schneider-electric.com/ie

Schneider Electric Limited is a company registered in England and Wales.
Registered number: 1407228. Registered office: Stafford Park 5, Telford, Shropshire TF3 3BL.

©2013 Schneider Electric Industries SAS, All Rights Reserved. Schneider Electric, Make the most of your energy, The global specialist in energy management and Spacial SBM and Linergy Terminal Blocks are owned by Schneider Electric, or its affiliated companies in the United States and other countries. All other trademarks are property of their respective owners.
• 998-1173325_GB

As standards, specifications and designs change from time to time, please ask for confirmation of the information given in this publication.