

Prefabricated busbar trunking

Canalis® KBA/KBB

Lighting and low power distribution



Canalis KBA and KBB

The ideal solution for cost effective and upgradeable lighting

> For all types of buildings

The high IP55 protection index guarantees **Canalis** is splash-proof and dust resistant which enables it to be installed in all types of buildings.



> A ready-to-install lighting system

Canalis KBL lights combined with **Canalis KBA** busbar trunking provide a full and compatible range for lighting systems in small and medium-height buildings (garages, workshops, supermarkets).

> Outstanding rigidity

Canalis KBB busbar trunking is very heavy duty and has centre-to-centre fixing distances of up to 5 meters, capable of supporting a large number of heavy light fittings (agricultural buildings, shopping centres, etc.)



> Canalis KBA

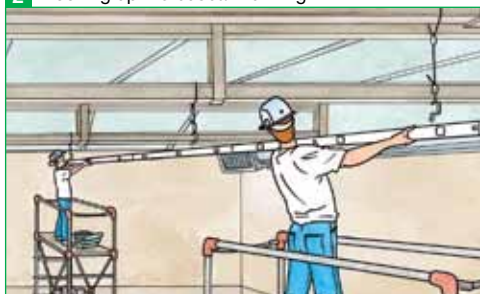
Installation

Quick and **simple** to assemble

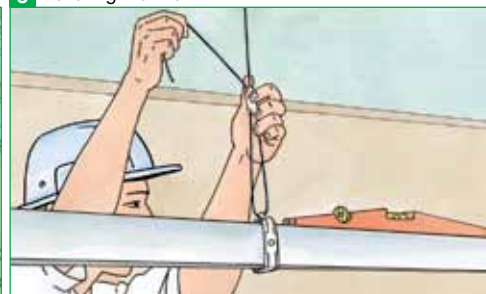
1 Preparing a set of busducts on the floor



2 Hooking up the busbar trunking

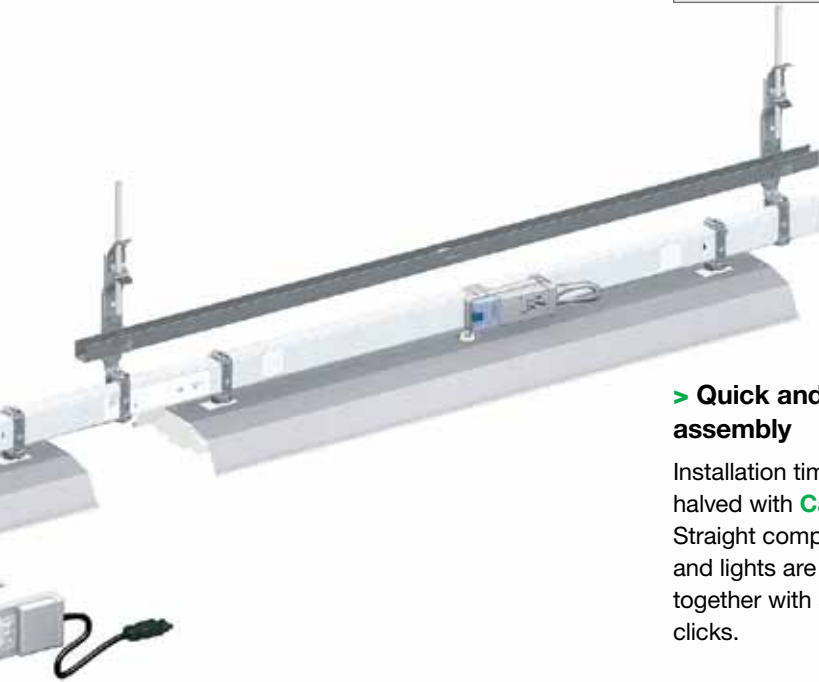


3 Levelling the line



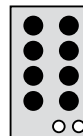
Technical characteristics

- Length of busbar trunking components: 2 or 3 meters
- Rated service current: 25 and 40 A
- Rated tape off units current: 10 and 16 A
- Rated insulating voltage: 690V
- Number of circuits: Canalis KBA, 1 circuit (2 or 4 conductors), Canalis KBB, 1 or 2 circuits (2 or 4 conductors)
- Protection index: IP 55
- Surface treatment: White Ral 9003
- Regulations: compliant with European RoHS regulations



> A large number of conductors for all requirements

Safety lighting, dimming, separate circuits for lighting and power sockets.



Canalis KBB:
2 circuits with 4 conductors
+ 1 communication circuit

> Quick and easy assembly

Installation time is halved with **Canalis**. Straight components and lights are fitted together with a few clicks.

> Outstanding upgradeability

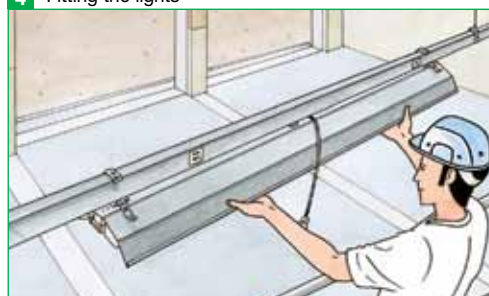
Any change or extension to the installation is particularly easy due to the very easy assembly and dismantling of **Canalis** components.

> A major contribution to sustainable development

As it is halogen-free, **Canalis** does not release any fumes or toxic gases in the event of fire.



4 Fitting the lights



5 Connecting the power supply unit



6 Turning on the power



A comprehensive offer

A new path for achieving your electrical installations

Canalis is part of a comprehensive offer of products which is perfectly coordinated to meet all medium and low voltage electrical distribution requirements. All of these products have been designed to work together: electrical, mechanical and communication compatibility. The electrical installation is thus both optimised and has improved performance:

- better service continuity
- increased personnel and equipment safety
- guaranteed upgradeability
- efficient monitoring and control

You therefore have all the advantages at hand in terms of know-how and creativity for achieving optimised, safe, upgradeable and compliant installations.

Canalis busbar trunking

Lighting distribution

Canalis KBA/KBB (supports light fittings)

Rated service current: 25 and 40 A

Protection index: IP 55

Canalis KBX (lighting duct)

Rated service current: 25 A

Protection index: IP 20

Canalis KDP (flexible busbar trunking)

Rated service current: 20 A

Protection index: IP 55

Power distribution

Canalis KN for low power

Rated service current: from 40 to 160 A

Protection index: IP 55

Canalis KS for medium power

Rated service current: from 100 to 1000 A

Protection index: IP 55

Canalis KT for high power distribution and transmission

Rated service current: from 800 to 5000 A

Protection index: IP 55

Schneider Electric Ltd

United Kingdom
Stafford Park 5,
Telford
Shropshire
TF3 3BL
Tel: 0870 608 8 608
Fax: 0870 608 8 606
www.schneider-electric.com/uk

Ireland
Head office,
Block a
Maynooth Business Campus
Maynooth, Co. Kildare
Tel: (01) 601 2200
Fax: (01) 601 2201
www.schneider-electric.com/ie

Schneider Electric Limited is a company registered in England and Wales.
Registered number: 1407228. Registered office: Stafford Park 5, Telford, Shropshire TF3 3BL.

© 2012 Schneider Electric. All Rights Reserved. Schneider Electric, Active Energy Management, Compact, EcoStruxure, ION Enterprise, iRIO, Make the most of your energy, Masterpact, Micrologic, Power Plant To Plug, Modbus, and PowerLogic are owned by Schneider Electric Industries SAS, or its affiliated companies in the United States and other countries. 998-3432.

As standards, specifications and designs change from time to time, please ask for confirmation of the information given in this publication.

member of

