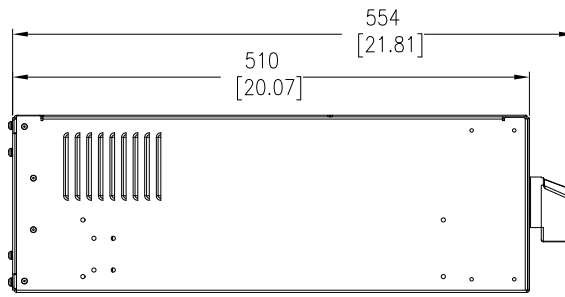
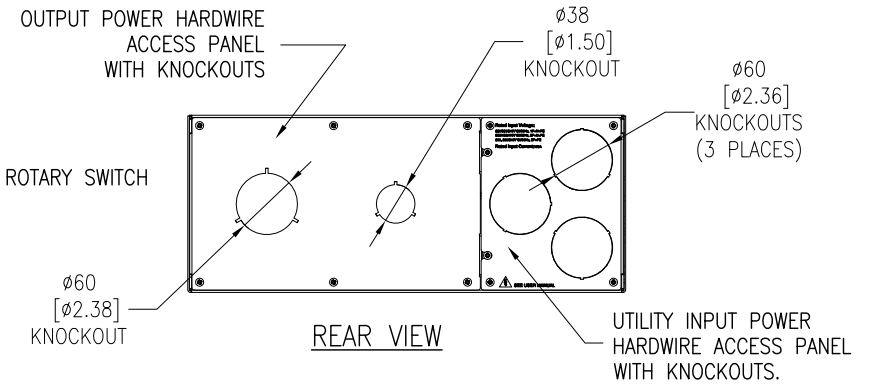


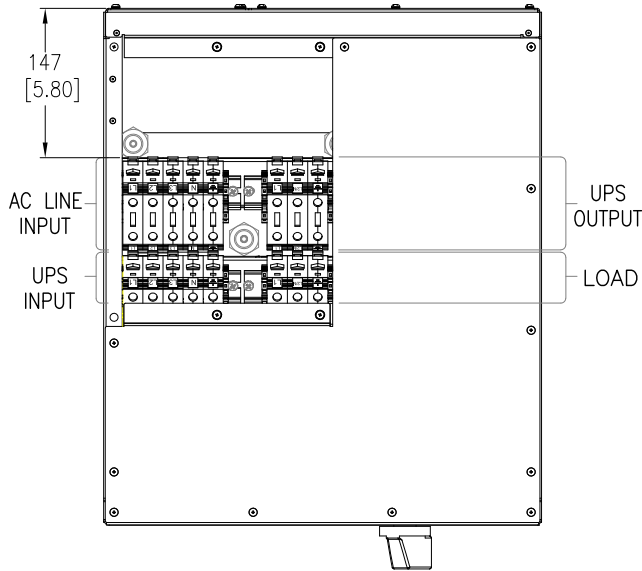
FRONT VIEW



LEFT SIDE VIEW

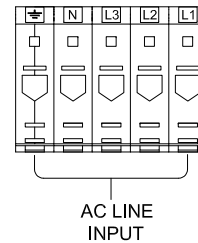
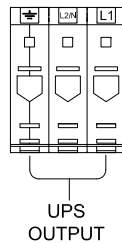
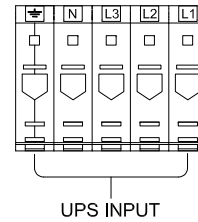
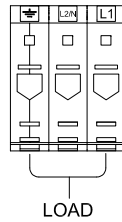


REAR VIEW

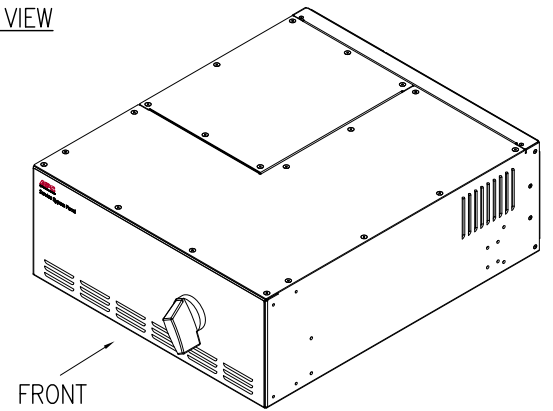


TOP VIEW  
(TERMINAL BLOCK ACCESS PANEL NOT SHOW)

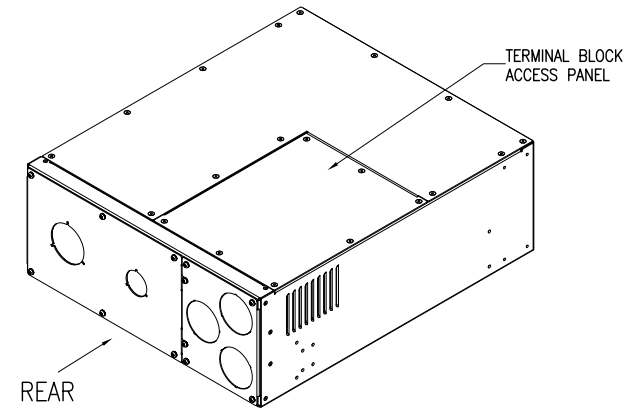
TERMINAL BLOCKS (ENLARGED VIEW)



ISOMETRIC VIEW



FRONT



REAR

Electrical Specifications

Rated Input Voltage	Rated Output Voltage	Max. Input current	Load capacity
200/208/240VAC 50/60 Hz, 2P+PE	200/208/240VAC 50/60 Hz, 2P+PE	125A (Each phase)	30,000VA
220/230/240VAC 50/60 Hz, 1P+N+PE	220/230/240VAC 50/60 Hz, 1P+N+PE		
380/400/415VAC 50/60 Hz, 3P+N+PE	220/230/240VAC 50/60 Hz, 1P+N+PE		

RECOMMENDED CABLE SIZE: 6 TO 1/0 AWG/kcmil.  
THE WIRE SHOULD BE CHOSEN BY THE ELECTRICIAN BASED ON THE LOCAL ELECTRIC CODE AND THE BREAKER FOR THE INSTALLATION.

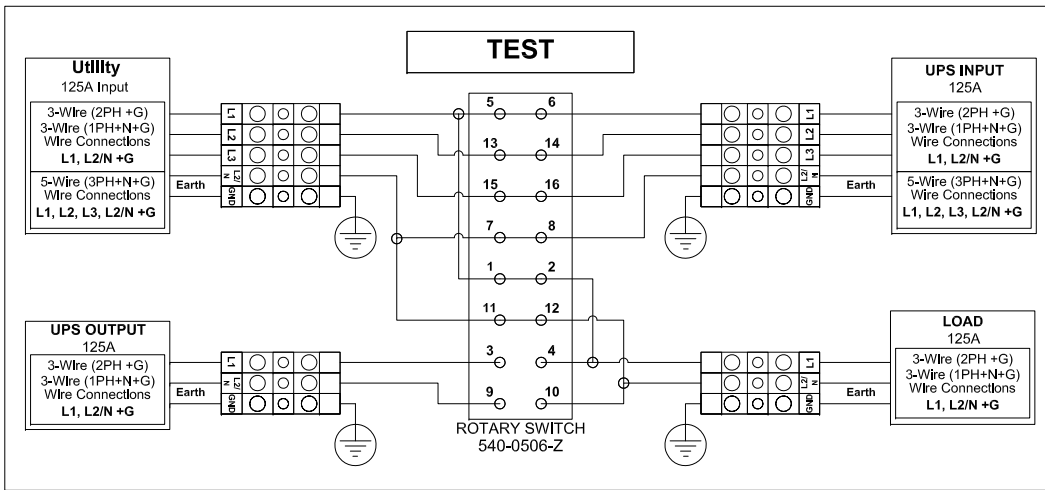
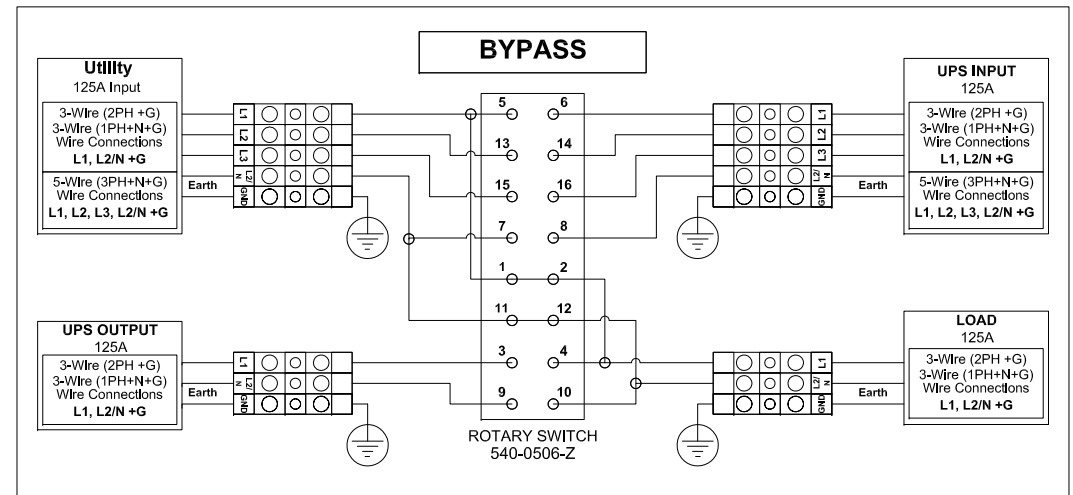
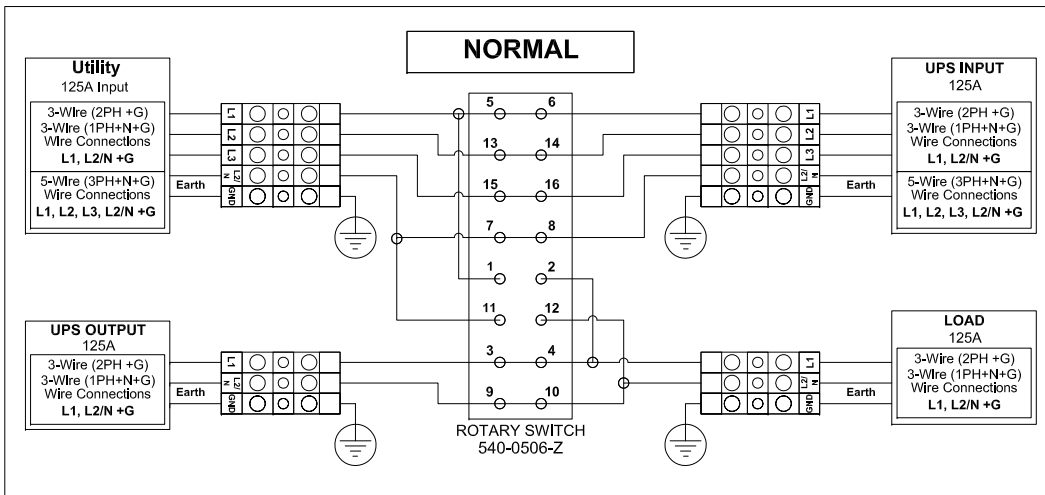
- NOTES:
1. INSTALLATION SHALL COMPLY WITH ALL APPLICABLE NATIONAL, STATE AND LOCAL ELECTRICAL REGULATIONS.
  2. PLEASE REFER TO PRODUCT MANUALS FOR ADDITIONAL DETAILS PRIOR TO INSTALLATION AND SITE PREPARATION WORK.
  3. ALL DIMENSIONS ARE IN MILLIMETERS [INCHES].
  4. CABLE ENTRY AND OUTGOING IS THROUGH REAR OF UNIT.
  5. ALWAYS PLACE THE SBP ABOVE THE EXTERNAL BATTERY PACKS AND THE UPS.
  6. NET WEIGHT OF THE UNIT IS 19.30kg [42.5 lb].
  7. INSTALLATION KIT WITH RACK MOUNT BRACKETS AND WALL MOUNT BRACKETS IS PART OF THIS UNIT.

THIS DRAWING AND SPECIFICATIONS HEREIN ARE THE PROPERTY OF SCHNEIDER ELECTRIC AND SHALL NOT BE COPIED, REPRODUCED OR USED IN WHOLE OR IN PART, AS THE BASIS FOR THE MANUFACTURE OR SALE OF ITEMS WITHOUT WRITTEN PERMISSION FROM SCHNEIDER ELECTRIC. THIS DRAWING IS BASED UPON LATEST AVAILABLE INFORMATION AND IS SUBJECT TO CHANGE WITHOUT NOTICE.



TITLE:  
APC SERVICE BYPASS PANEL  
200/208/230/240V, 50/60 Hz, 125A  
HARDWIRE INPUT/OUTPUT  
GENERAL ARRANGEMENT

DWG NO:	SBP20KP	REV:	1
DRAWN:	JAYAPRAKASH	07-SEP-23	FIRST ANGLE PROJECTION
ENGINEER:	JEFFREY AUGUST/LIPARE	08-SEP-23	
APPROVED:	JEFFREY AUGUST	08-SEP-23	



**NOTES:**

1. INSTALLATION SHALL COMPLY WITH ALL APPLICABLE NATIONAL, STATE AND LOCAL ELECTRICAL REGULATIONS.
2. PLEASE REFER TO PRODUCT MANUALS FOR ADDITIONAL DETAILS PRIOR TO INSTALLATION AND SITE PREPARATION WORK.
3. ALL INTERNAL WIRING FROM TERMINAL BLOCK TO ROTARY SWITCH ARE 2AWG [25mm<sup>2</sup>].

THIS DRAWING AND SPECIFICATIONS HEREIN ARE THE PROPERTY OF SCHNEIDER ELECTRIC AND SHALL NOT BE COPIED, REPRODUCED OR USED IN WHOLE OR IN PART, AS THE BASIS FOR THE MANUFACTURE OR SALE OF ITEMS WITHOUT WRITTEN PERMISSION FROM SCHNEIDER ELECTRIC. THIS DRAWING IS BASED UPON LATEST AVAILABLE INFORMATION AND IS SUBJECT TO CHANGE WITHOUT NOTICE.



TITLE:  
APC SERVICE BYPASS PANEL  
200/208/230/240V, 50/60 Hz, 125A  
HARDWARE INPUT/OUTPUT  
SCHEMATIC DIAGRAM

DWG NO:	SBP20KP	REV:	0
DRAWN:	JAYAPRAKASH	07-SEP-23	ANGLE
ENGINEER:	JEFFREY AUGUST/LIPARE	08-SEP-23	PROJECTION:
APPROVED:	JEFFREY AUGUST	08-SEP-23	N.A