

# Wireless Input/Output Unit Dual Channel XPA-IN-14012-APO

Instruction Sheet  
R10129GB0



## **Schneider Electric Fire & Security Oy**

Sokerilinnantie 11 C  
FI-02600 Espoo, Finland  
Tel: +358 10 446 511  
Website: [www.schneider-electric.com](http://www.schneider-electric.com)  
Document number: R10129GB0  
Published: 13.05.2019

© 2018 – Schneider Electric. All Rights Reserved. This information is only to be used as guidance. Subject to changes and errors.

# Contents

<b>1</b>	<b>Wless Input/Output Unit Dual Channel XPA-IN-14012-APO .....</b>	<b>4</b>
1.1	ALC Compatible XP Wireless Fire Detection Products .....	4
1.2	Schematic Diagram & Wiring Connections .....	4
1.3	System Principle .....	5

# 1 Wireless Input/Output Unit Dual Channel XPA-IN-14012-APO

The Wireless Input/Output Unit (FFS06726025) is a radio based interface and offers one or two monitored input circuits and one or two relay outputs. It can be used for controlling fire doors, fire dampers, smoke vents and other fire engineering applications.

The Wireless Input/Output Unit can be used in failsafe operation. The product is tested and approved to EN 54-18.

- Wireless
- Monitored switch circuit
- Capable of switching up to 30 V at 1 A
- Five year battery life using alkaline Panasonic® Powerline or Varta® Industrial AA batteries

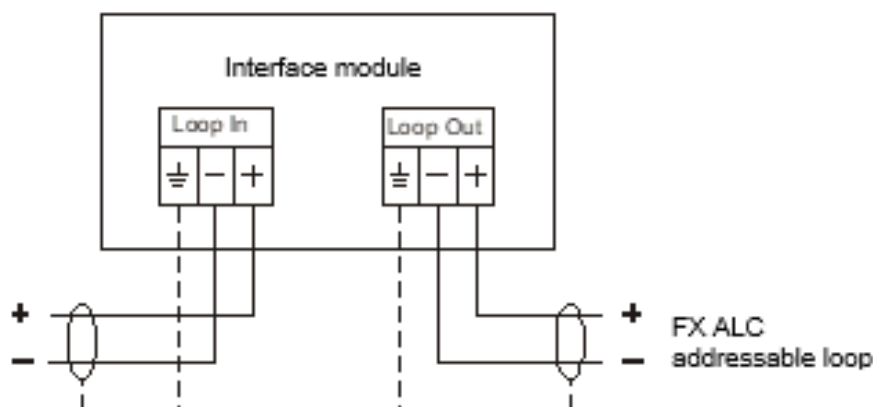
## 1.1 ALC Compatible XP Wireless Fire Detection Products

If wiring is a challenge in the building then XP wireless products are your solutions.

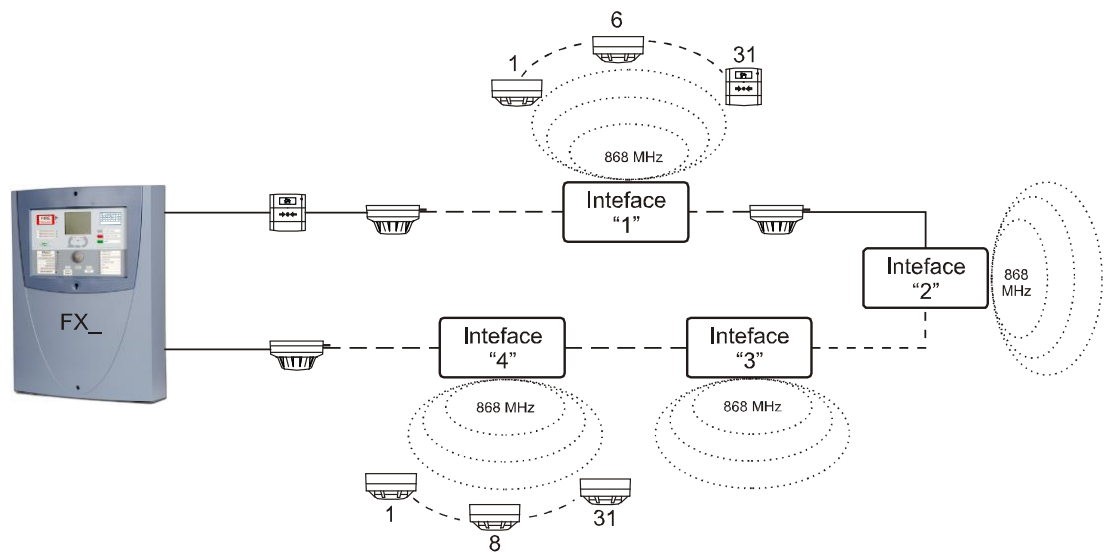
XP is a system in which individual detectors and other wireless devices communicate with the FX ALC loop by radio signals. An interface is connected to the ALC loop in the same way as any addressable interface.

Every wireless XP device is assigned an address and this address is recognised by the Esmi Sense FDP and FX panel.

## 1.2 Schematic Diagram & Wiring Connections



## 1.3 System Principle



**Note!** The maximum number of interfaces in a site is 5. If more than 5 interfaces are needed, please contact the supplier.

**Note!** The interface takes one address in the ALC loop.

**Note!** The maximum number of addressable radio devices per interface is 31.

**Note!** A good system planning is absolutely necessary to ensure a reliable wireless communication. The field strength must be checked with the survey tool.