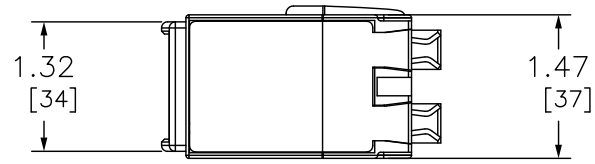
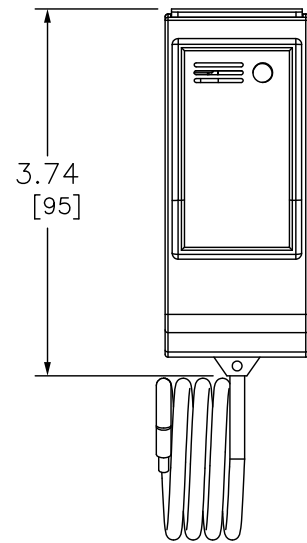


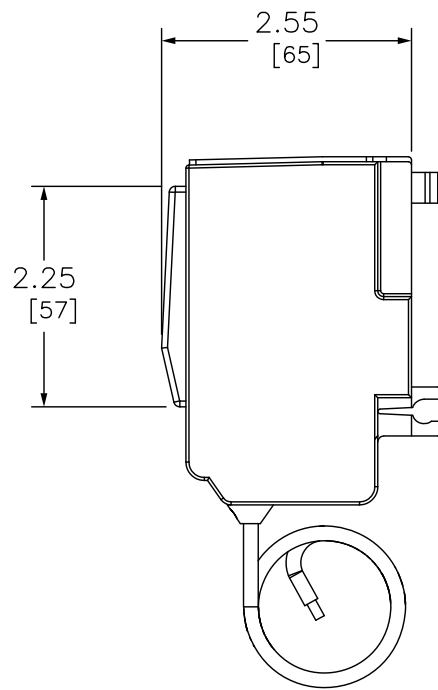
ISOMETRIC



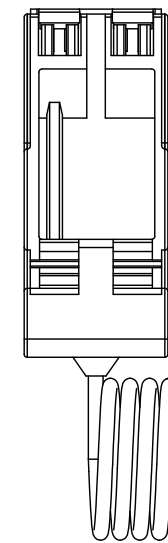
TOP



LEFT



FRONT



RIGHT

DUAL DIMENSIONS: INCHES
MILLIMETERS

LOAD CENTER QO SECONDARY SURGE ARRESTOR



DWG# Q02175SB
NO.