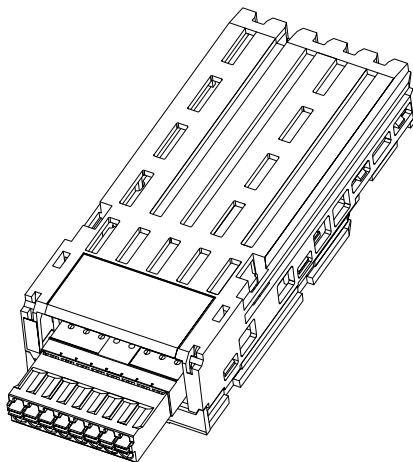




QGH1764001



**⚠ ⚠ DANGER**

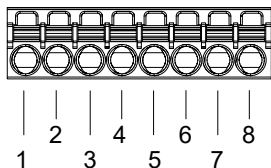
**HAZARD OF ELECTRIC SHOCK, EXPLOSION, OR ARC FLASH**

- Only appropriately trained persons who are familiar with and fully understand the contents of the present manual and all other pertinent product documentation and who have received all necessary training to recognize and avoid hazards involved are authorized to work on and with this equipment.
- Installation, adjustment, repair, and maintenance must be performed by qualified personnel.
- Verify compliance with all local and national electrical code requirements as well as all other applicable regulations with respect to grounding of all equipment.
- Before performing work and/or applying voltage on the equipment, follow the instructions given in the appropriate installation manual.

**Failure to follow these instructions will result in death or serious injury.**

Electrical equipment should be installed, operated, serviced, and maintained only by qualified personnel. No responsibility is assumed by Schneider Electric for any consequences arising out of the use of this product.

© 2024 Schneider Electric. All Rights Reserved.



Maximum Encoder Cable Length				
Encoder Supply	Minimum Cable Cross Section	Total Encoder Consumption		
		100 mA	175 mA	200 mA
12 Vdc	0.2 mm <sup>2</sup> (AWG 24)	100 m	50 m	50 m
	0.5 mm <sup>2</sup> (AWG 20)	250 m	150 m	100 m
	0.75 mm <sup>2</sup> (AWG 18)	400 m	250 m	200 m
	1 mm <sup>2</sup> (AWG17)	500 m	300 m	250 m
	1.5 mm <sup>2</sup> (AWG15)	500 m	500 m	400 m
15 Vdc	0.2 mm <sup>2</sup> (AWG 24)	250 m	150 m	-
	0.5 mm <sup>2</sup> (AWG 20)	500 m	400 m	-
	0.75 mm <sup>2</sup> (AWG 18)	500 m	500 m	-
24 Vdc	0.2 mm <sup>2</sup> (AWG 24)	500 m	-	-

PIN	SIGNAL	FUNCTION	ELECTRICAL CHARACTERISTICS
1	A+	Channel A	Incremental Signal: +12Vdc or +15Vdc or +24Vdc Input Impedance: 2kΩ Max Frequency: 300kHz Low level: ≤2Vdc High level: ≥9Vdc
2	A-	Channel /A	
3	B+	Channel B	
4	B-	Channel /B	
5	V+	Software configurable encoder supply voltage	+12Vdc / 200mA or +15Vdc / 175mA or +24Vdc / 100mA
6	V+		
7	0V	Reference potential for encoder supply	-
8	0V	Reference potential for encoder supply	
SHIELD		Overall cable shielding for signal lines	The shield has to be connected to the drive cabling plate

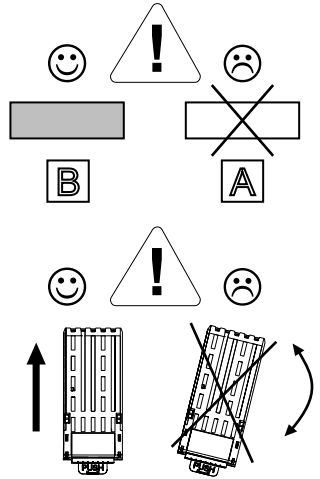
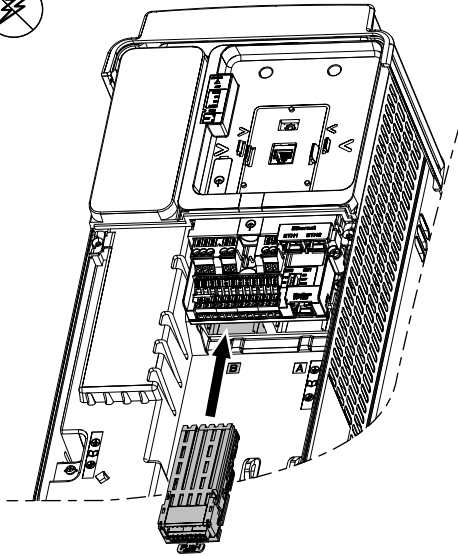
Encoder can be configured in [Complete settings] → [Encoder configuration].  
For more information, refer to the ATV900 Programming Manual (NHA80757).

PIN	TWISTED WIRE PAIR	PUSH PULL			OPEN COLLECTOR					I/O
		A/AB/B DIFFERENTIAL	AB SINGLE ENDED	A SINGLE ENDED	A/AB/B DIFFERENTIAL	AB PNP	AB NPN	A PNP	A NPN	
1	1	R	R	R	R	R	R**	R	R**	I
2		R	R <sup>+</sup>	R <sup>+</sup>	R	R <sup>+</sup>	R	R <sup>+</sup>	R	I
3	2	R	R	-	R	R	R**	-	-	I
4		R	R <sup>+</sup>	-	R	R <sup>+</sup>	R	-	-	I
5	3	R	R	R	R	R	R	R	R	O
6	Opt.	-	-	-	-	-	R**	-	R**	O
7	3	R	R	R	R	R	R	R	R	O
8	Opt.	-	R <sup>+</sup>	R <sup>+</sup>	-	R <sup>+</sup>	-	R <sup>+</sup>	-	O
SHIELD		R	R	R	R	R	R	R	R	-

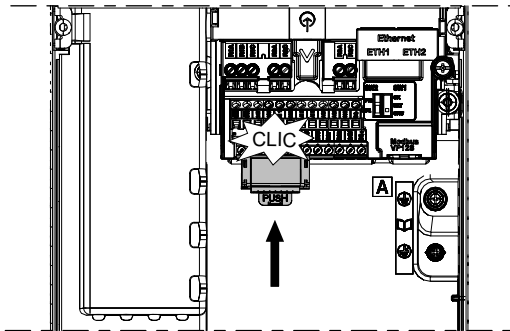
R: Required                   \*: The inputs have to be wired to the 0V pins  
- : Not required           \*\*: The inputs have to be wired to the V+ pins  
Opt. : Optional

# ATV900 Mounting

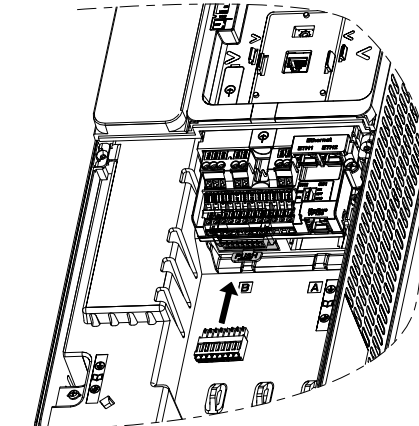
1



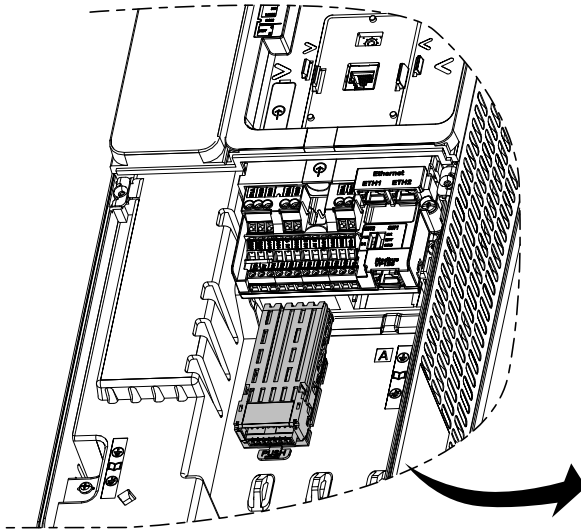
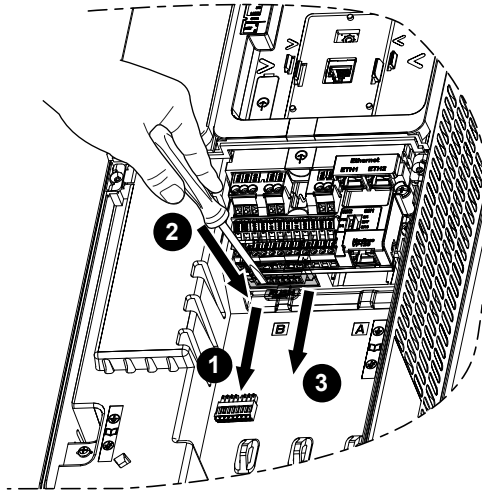
2



3



# ATV900 Removing



**UK MANUFACTURER**  
**Schneider Electric Industries SAS**  
35 rue Joseph Monier  
Rueil Malmaison 92500 France

**UK REPRESENTATIVE**  
**Schneider Electric Limited**  
Stafford Park 5  
Telford, TF3 3BL United Kingdom

**EAC** Опция для продуктов Altivar и Altistart.  
Пожалуйста, обратитесь к сообщению о преобразователе частоты EAC / программном сартере в приложении к началу работы, размещенном на веб-сайте производителя. Авторизованный поставщик в Республике Казахстан:  
ТОО «Шнейдер Электрик»  
Адрес: 050010, РК, г. Алматы, пр. Достык, 38, бизнес-центр «Кен Дала», 5 этаж, левое крыло.  
Тел.: +7 (727) 339 23 57  
Номер службы поддержки клиентов:  
Тел.: +7 (727) 339 24 52

Altivar және Altistart өніміне арналған опция. Өндірушінің веб-сайтында орналастырылған «Жұмысқа кірісу» қосымшасындағы EAC жиілік инвертер / бірқалыпты іске қосу құрылғысы хабарламасына сілтеме жасауыңызды сұраймыз.  
Қазақстан Республикасындағы уәкілетті жеткізуші:  
ЖШС «Шнейдер Электрик»  
Мекен-жайы: 050010, ҚР, Алматы қаласы, Достық даңғылы, 38, «Кең дала» бизнес орталығы, 5-қабат, сол қанат.  
тел.: +7 (727) 339 23 57  
Клиенттерге қызмет көрсету нөмірі:  
тел.: +7 (727) 339 24 52