

Main

Product or component type	Passive filter
Product specific application	Reduction of current harmonics

Complementary

Range compatibility	Altivar 61 Altivar 71 Altivar Process ATV600 Altivar Process ATV900
[Us] rated supply voltage	400 V (+/- 10 %)
Power supply frequency	50 Hz (tolerance: +/- 2 %)
Quantity per drive	1 filter per drive for variable speed drive ATV61W motor: 4 kW / 5 hp 1 filter per drive for variable speed drive ATV61W motor: 5.5 kW / 7.5 hp 1 filter per drive for variable speed drive ATV61H motor: 4 kW / 5 hp 1 filter per drive for variable speed drive ATV61H motor: 5.5 kW / 7.5 hp 1 filter per drive for variable speed drive ATV71H motor: 4 kW / 5 hp 1 filter per drive for variable speed drive ATV71H motor: 5.5 kW / 7.5 hp 1 filter per drive for variable speed drive ATV71P motor: 4 kW / 5 hp 1 filter per drive for variable speed drive ATV71P motor: 5.5 kW / 7.5 hp 1 filter per drive for variable speed drive ATV71W motor: 4 kW / 5 hp 1 filter per drive for variable speed drive ATV71W motor: 5.5 kW / 7.5 hp 1 filter per drive for variable speed drive ATV630 wall mount, motor: 4 kW / 5 hp 1 filter per drive for variable speed drive ATV630 wall mount, motor: 5.5 kW / 7.5 hp 1 filter per drive for variable speed drive ATV650 wall mount, motor: 4 kW / 5 hp 1 filter per drive for variable speed drive ATV650 wall mount, motor: 5.5 kW / 7.5 hp 1 filter per drive for variable speed drive ATV930 wall mount, motor: 4 kW / 5 hp 1 filter per drive for variable speed drive ATV930 wall mount, motor: 5.5 kW / 7.5 hp 1 filter per drive for variable speed drive ATV950 wall mount, motor: 4 kW / 5 hp 1 filter per drive for variable speed drive ATV950 wall mount, motor: 5.5 kW / 7.5 hp
[In] rated current	10 A for input 10.4 A for output
Network number of phases	3 phases
THDI	10 % for variable speed drive ATV61W motor: 4 kW / 5 hp 10 % for variable speed drive ATV61W motor: 5.5 kW / 7.5 hp 16 % for variable speed drive ATV61H motor: 4 kW / 5 hp 16 % for variable speed drive ATV61H motor: 5.5 kW / 7.5 hp 16 % for variable speed drive ATV71H motor: 4 kW / 5 hp 16 % for variable speed drive ATV71H motor: 5.5 kW / 7.5 hp 16 % for variable speed drive ATV71P motor: 4 kW / 5 hp 16 % for variable speed drive ATV71P motor: 5.5 kW / 7.5 hp 16 % for variable speed drive ATV71W motor: 4 kW / 5 hp

Disclaimer: This documentation is not intended as a substitute for and is not to be used for determining suitability or reliability of these products for specific user applications

16 % for variable speed drive ATV71W motor: 5.5 kW / 7.5 hp
 10 % for variable speed drive ATV630 motor: 4 kW / 5 hp
 10 % for variable speed drive ATV630 motor: 5.5 kW / 7.5 hp
 10 % for variable speed drive ATV650 motor: 4 kW / 5 hp
 10 % for variable speed drive ATV650 motor: 5.5 kW / 7.5 hp
 10 % for variable speed drive ATV930 motor: 4 kW / 5 hp
 10 % for variable speed drive ATV930 motor: 5.5 kW / 7.5 hp
 10 % for variable speed drive ATV950 motor: 4 kW / 5 hp
 10 % for variable speed drive ATV950 motor: 5.5 kW / 7.5 hp

Max current	1.5 x nominal current (duration = 60 s)
Efficiency	<= 98 %
Thermal losses	93 W
Cos phi	1 at 150 % of line current 0.85 at 75 % of line current 0.99 at 100 % of line current
Electrical connection	X1-1...X2-3 terminal, connection capacity: 0.5...10 mm ² A, B terminal, connection capacity: 2.5 mm ²
Electrical insulation class	Class F
Product weight	13.5 kg

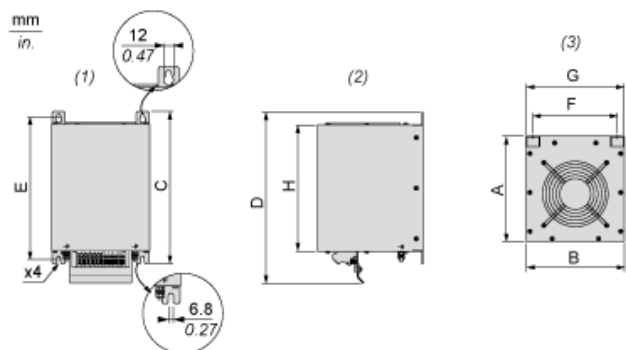
Environment

IP degree of protection	IP55 (enclosure mounting) IP20
Vibration resistance	2 mm peak to peak (f = 5...13.2 Hz) conforming to EN 60068-2-6 0.7 gn (f = 13.2...150 Hz) conforming to EN 60068-2-6
Relative humidity	5...85 % without condensation
Ambient air temperature for operation	> 45...60 °C with current derating 3 % per °C 5...45 °C without current derating
Ambient air temperature for storage	> -25...55 °C storage in original packaging > -25...65 °C during transport
Operating altitude	<= 1000 m without current derating > 1000...4000 m with current derating 5 % per 1000 m
Standards	EN/IEC 61000-3-2 EN/IEC 61000-3-12 EN/IEC 61000-3-4 EN/IEC 61000-2-2 EN/IEC 61000-2-4 G5/4 engineering recommendation

Offer Sustainability

RoHS (date code: YYWW)	Compliant - since 1329 - Schneider Electric declaration of conformity Schneider Electric declaration of conformity
------------------------	---

Dimensions



- (1) Front view
- (2) Right side view
- (3) Top view

Dimensions in mm

A	B	C	D	E	F	G	H
205.5	190	295	332.11	276	163	188	246

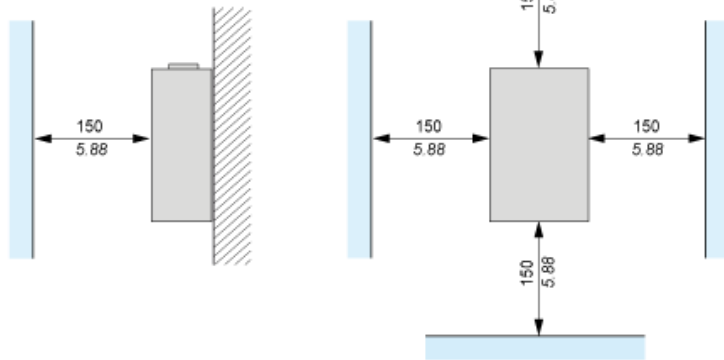
Dimensions in in.

A	B	C	D	E	F	G	H
8.09	7.48	11.61	13.07	10.87	6.42	7.40	9.69

Mounting Recommendations

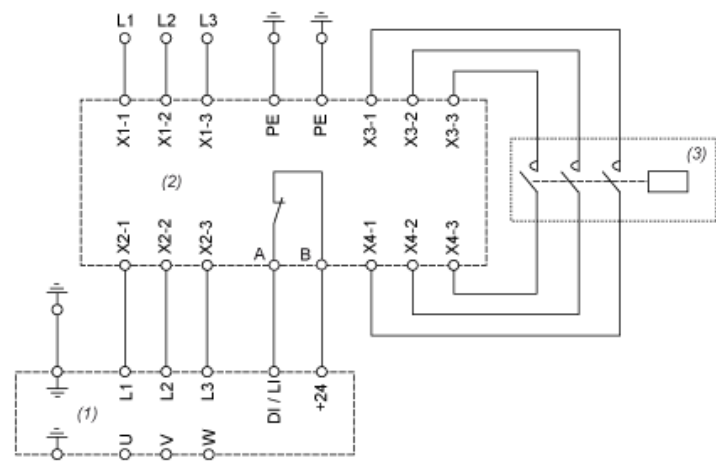
Vertical Mounting Only

mm
in.



(1) Filter

Recommended Schema



- (1) Drive
- (2) Filter
- (3) Optional