



CCT501400\_0001

AvatarOn



Works with Wiser Hub CCT501900. Refer to system user guide for more information:  
[https://download.schneider-electric.com/files?p\\_Doc\\_Ref=MFR1569800](https://download.schneider-electric.com/files?p_Doc_Ref=MFR1569800)

**For your safety**

**NOTICE**

**RISK OF DAMAGE TO DEVICE**

Always operate the product in compliance with the specified technical data.

**Failure to follow these instructions can result in equipment damage.**

**Prerequisites**

The ZB/IP Gateway sold separately for purchase.

**Getting to know the product**

The Wiser ZB/IP Gateway Docking Kit for desk mount (the *docking kit*) and is used as a holder for the Wiser ZB/IP Gateway.

**Package contents**

- (A) Wiser ZB/IP Docking Kit
- (B) Installation Instructions

**Using the docking kit**

**Installation and Removal**

To install:

- ① Insert the gateway into the docking kit, observing the correct orientation.
- ② Place the gateway face-down on a clean, flat surface.
- ③ Press each buckle around the gateway bezel until it clicks.
- ④ Connect cables as required, then place the gateway on the desired surface as shown.

To remove:

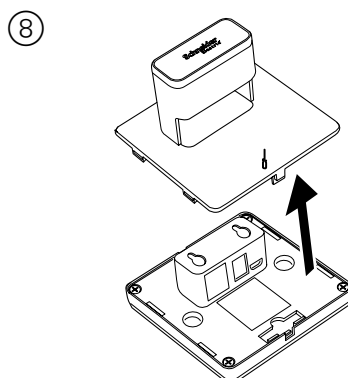
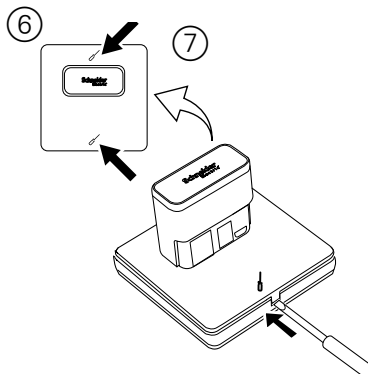
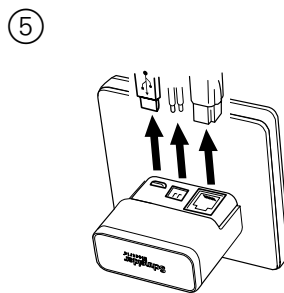
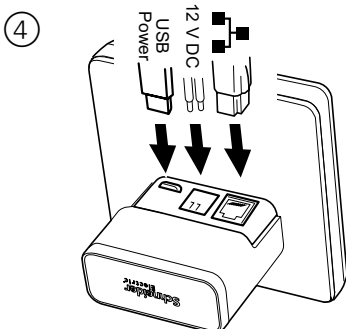
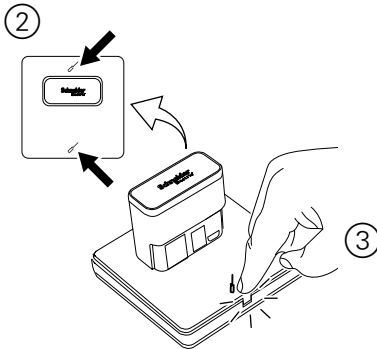
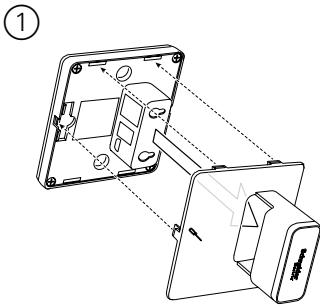
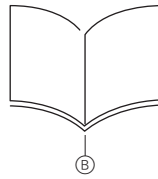
- ⑤ Disconnect the gateway cables.
- ⑥ Place the gateway face-down on a clean, flat surface.
- ⑦ Use a small flat-bladed screwdriver to carefully release each buckle around the gateway bezel.
- ⑧ Remove the gateway from the dock.

**Technical data**

<b>Operating temperature</b>	-10 °C to 45 °C
<b>Relative humidity</b>	10% to 95%
<b>Product dimensions (H × W × D)</b>	86 × 54.6 × 86 mm

**Schneider Electric Asia Pacific Limited**

11th Floor, Kerry Centre, 683 King's Road, Quarry Bay, Hong Kong  
[schneider-electric.com/contact](http://schneider-electric.com/contact)



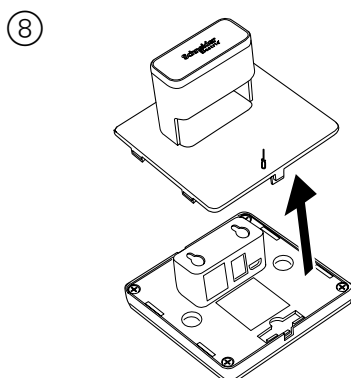
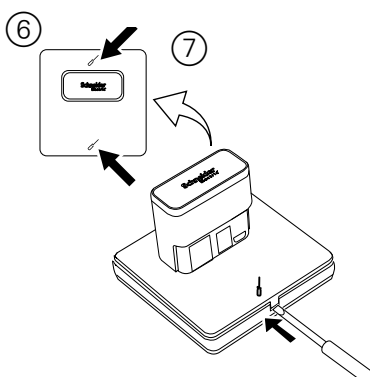
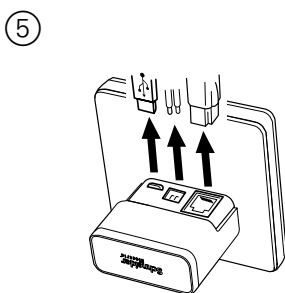
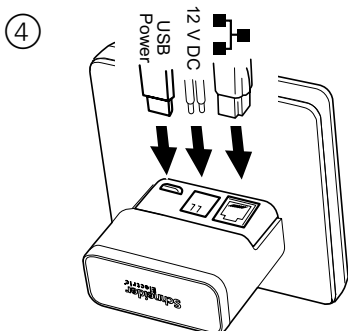
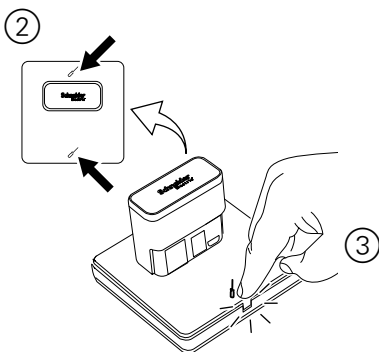
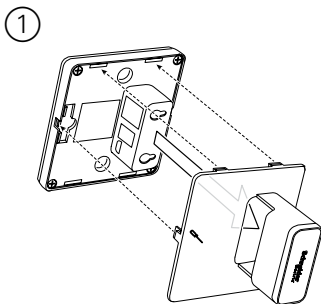
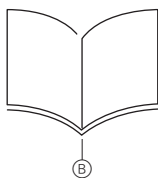


CCT501400\_0001

AvatarOn



该产品与wiser网关CCT501900 或CCT501400\_C1  
匹配工作请参考  
[https://download.schneider-electric.com/files?p\\_Doc\\_Ref=MFR1569800](https://download.schneider-electric.com/files?p_Doc_Ref=MFR1569800)



## 安全提示

### 注意

#### 设备损坏风险

请始终根据指定的技术数据操作产品。

若不遵守此说明，则可能会导致设备损坏。

## 前提条件

ZB/IP 网关单独出售。

## 产品简介

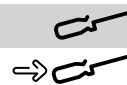
适用于桌面的智能ZB/IP网关底座，其用作智能ZB/IP网关的底座。

## 包装内容



- Ⓐ 智能ZB/IP网关底座
- Ⓑ 安装说明书

## 使用网关底座



### 安装和拆除

#### 安装:

- ① 将网关插入网关底座，注意方向。
- ② 将网关正面朝下放在整洁平滑的表面上。
- ③ 按下网关边框周围的每个卡扣，直至发出咔嗒声。
- ④ 根据需要连接电缆，然后将网关放在所需表面上，如图所示。

#### 拆除:

- ⑤ 断开网关电缆。
- ⑥ 将网关正面朝下放在整洁平滑的表面上。
- ⑦ 使用小型平头螺丝刀小心地将网关边框周围的每个卡扣解开。
- ⑧ 从底座中拆除网关。

## 技术参数

工作温度	-10 °C - 45 °C
相对湿度	10% - 95%
产品尺寸 (H × W × D)	86 × 54.6 × 86 mm

## 施耐德电气(中国)有限公司

北京市朝阳区望京东路六号A座  
客户支持热线:400 810 1315

[schneider-electric.com/contact](http://schneider-electric.com/contact)