

en zh



Wiser by SE app

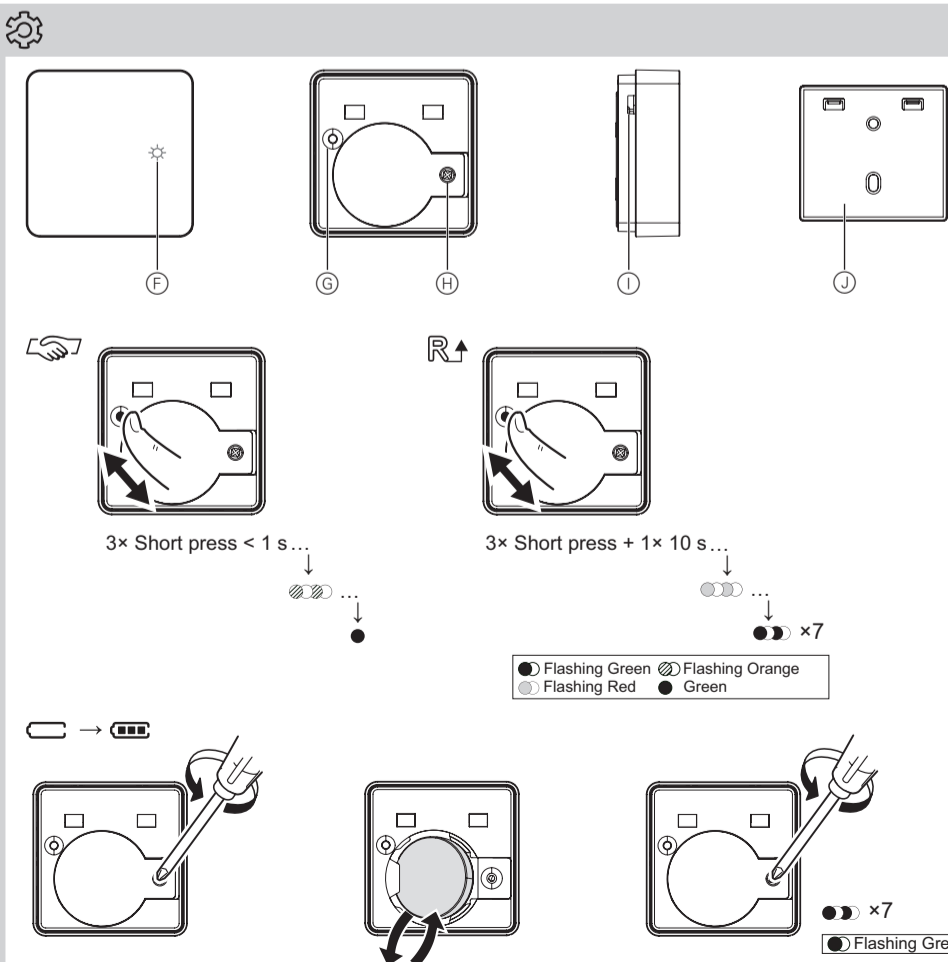
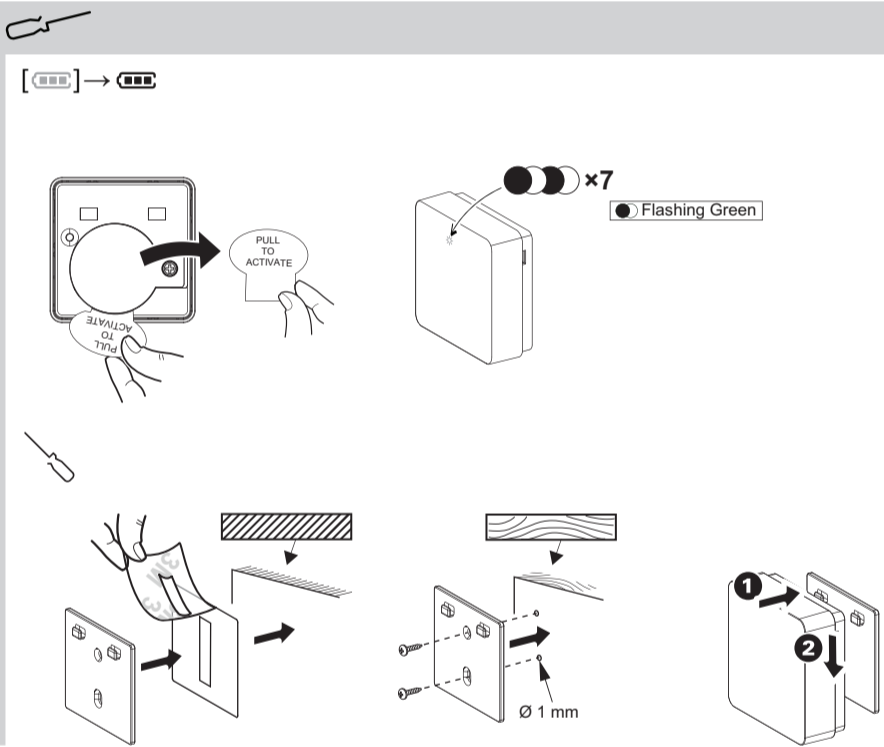
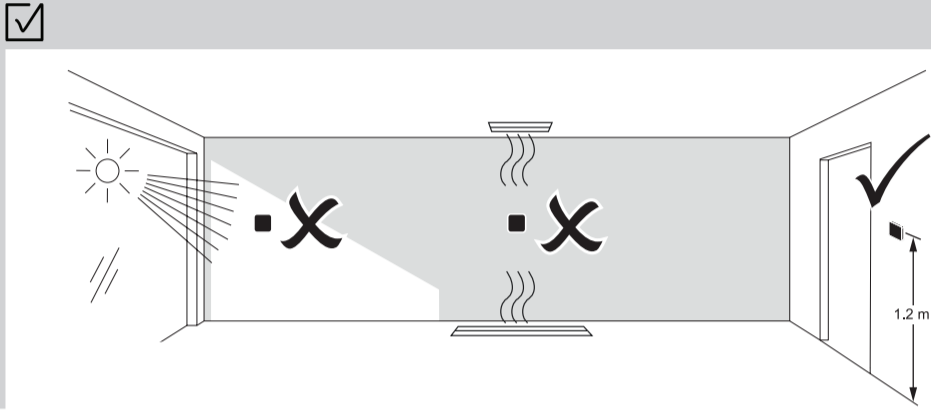
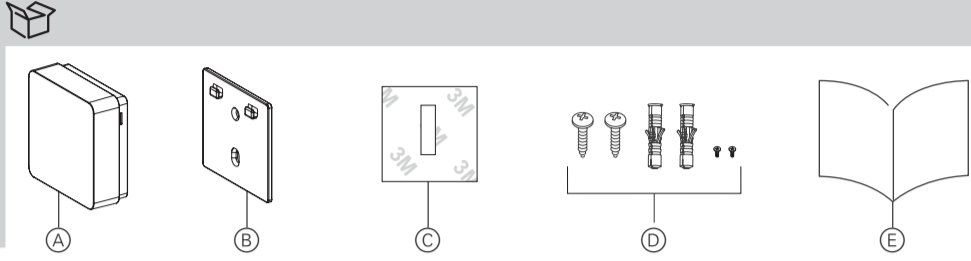


CCT593011_AS

Wiser



Works with Wiser Hub CCT501900. Refer to system user guide for more information: https://download.schneider-electric.com/files?p_Doc_Ref=MFR1569800



en **Wiser Temperature/Humidity Sensor**
CCT593011_AS

For your safety

NOTICE

RISK OF DAMAGE TO DEVICE
Always operate the product in compliance with the specified technical data.
Failure to follow these instructions can result in equipment damage.

Prerequisites

Download the Wiser by SE app on your smartphone. You can use the app to configure and control the Wiser Temperature/Humidity Sensor.



App Store URL:
<https://itunes.apple.com/us/app/wiser-by-se/id1026806919?ls=1&mt=8>



Google Play URL:
<https://play.google.com/store/apps/details?id=com.schneiderelectric.WiserBySE>

Getting to know the product

The Wiser Temperature/Humidity Sensor combines two sensors in one unit. The sensor measures temperature and humidity in the environment where the sensor is installed. When the sensor is connected to the Wiser Hub, it directly reports temperature and humidity data to the Wiser Hub. When the battery is low (less than 10%), the status LED blinks orange once per minute, and a message is sent to the Wiser Hub.

Package contents

- (A) Sensor
- (B) Base plate
- (C) Adhesive pads
- (D) 4 Screws (2 x ST.2.3 x 15 mm, 2 x M2 x 3 mm), 2 wall plugs
- (E) Installation instructions

Choosing the installation location

Install the sensor as per the suggested location. Do not install the sensor in a place where there is strong sunlight or wind (for example, close to the ventilation).

Mounting the sensor

Removing the battery isolation strip

- Mounting**
- For wood or plastic surfaces, use either the adhesive pads or the mounting screws.
 - If using screws, pre-drill a 1 mm hole.
 - For metal surfaces, use the adhesive pads only.

Operating elements

- (F) Status LED
 - (G) Function key
 - (H) Base cover screw
 - (I) Temperature and humidity sensor holes
- To ensure accurate temperature and humidity measurement, do not block the sensor holes.
- (J) Base plate

Setting the sensor

Remove the master part from the base plate to access the function key (G).

Connecting to the Wiser Hub

- 1 Short press the function key 3 times within 1 s. The sensor scans for the available Zigbee network. The status LED turns green if the sensor successfully connects to the Wiser Hub.
- 2 Follow the instructions in the Wiser by SE app to set the sensor parameters through the Wiser Hub.

Resetting the sensor

Short press the function key 3 times within 1 s and then long press the function key once for >10 s to reset the sensor to factory default mode.

All configuration data, user data, and network data is deleted.

Replacing the battery

Behaviour of the status LED

Refer to the system user guide.

Troubleshooting

Refer to the system user guide.

Technical data

Battery	3 VDC, CR2450
Battery life	Up to 5 years (may vary based on the usage, frequency of firmware update and environment)
Power rating	≤90 mW
Maximum transmitted power	≤7 dBm
IP rating	IP20
Operating temperature	-10 °C to 50 °C
Temperature accuracy	±1.5 °C
Temperature resolution	0.1 °C
Relative humidity	10% to 95%
Humidity accuracy	±5%
Frequency range	2405 MHz to 2480 MHz
Dimensions (H x W x D)	45.0 x 45.0 x 17.2 mm
Standards	EN/IEC 60730-2-9 EN/IEC 60730-2-13
Certification	CE compliant Zigbee 3.0 compliant

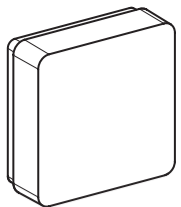
Trademarks

- Apple® and App Store® are brand names or registered trademarks of Apple Inc.
- Google Play™ Store and Android™ are brand names or registered trademarks of Google Inc.
- Zigbee® is a registered trademark of the Zigbee Alliance.

Other brands and registered trademarks are properties of their relevant owners.

Schneider Electric Asia Pacific Limited

11th Floor, Kerry Centre, 683 King's Road, Quarry Bay, Hong Kong
se.com/contact



en zh



Wiser by SE app

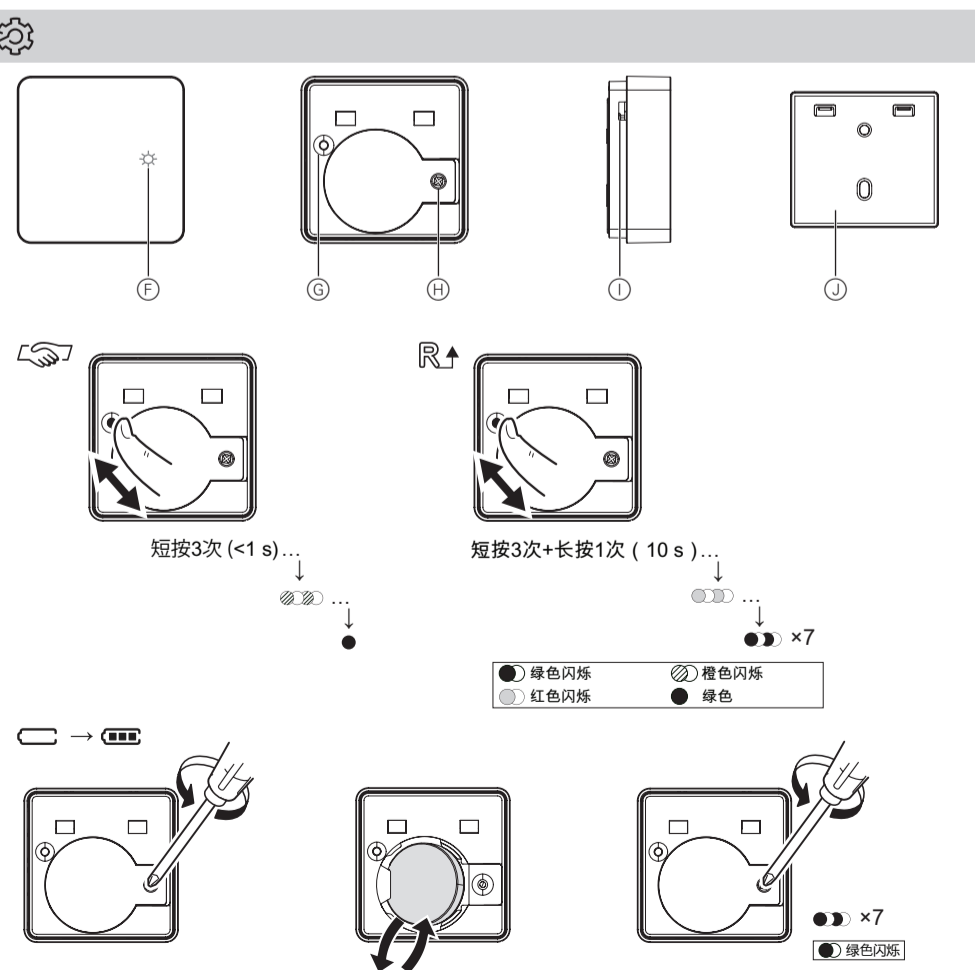
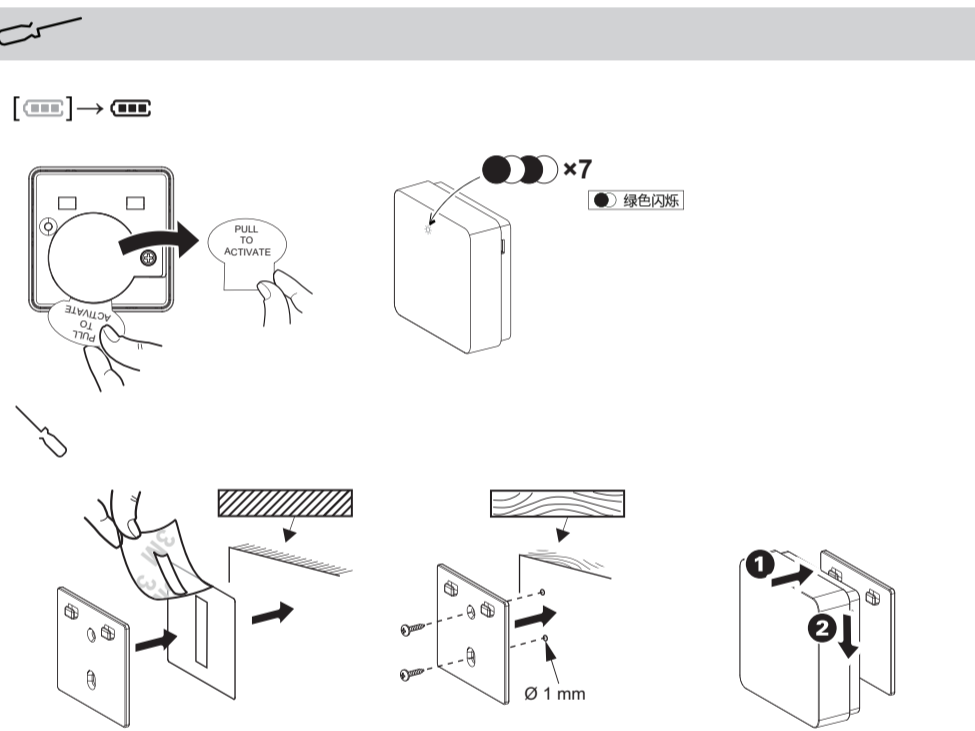
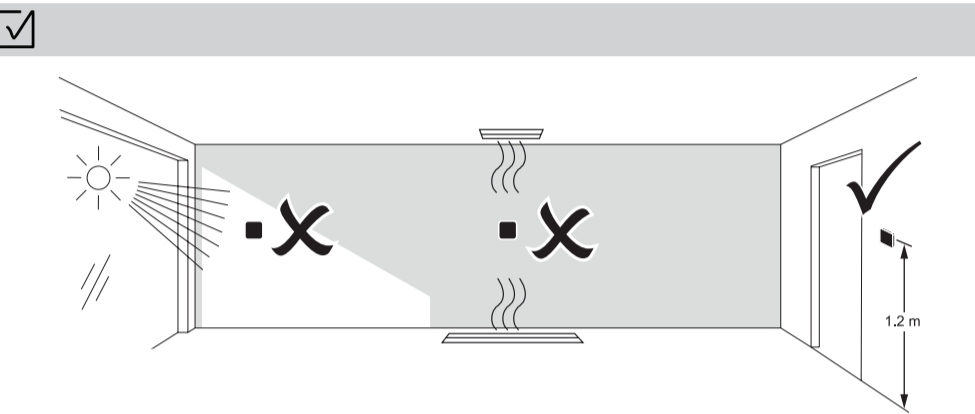
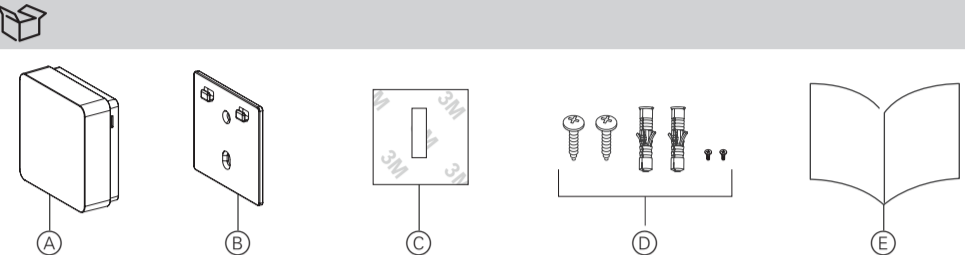


CCT593011_AS

Wiser



Works with Wiser Hub CCT501900. Refer to system user guide for more information:
https://download.schneider-electric.com/files?p_Doc_Ref=MFR1569800



zh 智能温湿度传感器 CCT593011_AS

安全提示

注意

设备损坏风险
 请始终根据指定的技术数据操作产品。
 若不遵守此说明，则可能会导致设备损坏。

前提条件

通过 Wiser by SE app 下载该应用程序到您的智能手机上，以配置Wiser温度/湿度传感器

App Store 的 URL:
<https://itunes.apple.com/us/app/wiser-by-se/id1026806919?ls=1&mt=8>

Android 的 URL:
<https://www.schneider-electric.cn/zh/product-range-download/65750-臻尚无线智能家居#/software-firmware-tab>

产品简介

智能温湿度传感器集成了两种传感器于一体。传感器会检测安装位置附近的环境温度和湿度。当传感器连接到 Wiser ZB/IP 网关上，将直接向 Wiser ZB/IP 网关报告温度和湿度数据。若电量不足（低于10%），LED 状态灯每分钟呈橙色闪烁一次，并向智能ZB/IP网关发送一条消息。

包装内容

- A 传感器
- B 底板
- C 3M胶
- D 4 螺钉 (2 颗: ST2.3 × 15 mm, 2 颗: M2 × 3 mm), 2 塑胶套管
- E 安装说明书

选择安装位置

将传感器安装在推荐位置。

切勿将传感器安装在强光或强风下（例如：靠近通风口）。

安装传感器

取下电池隔离条

安装

- 对于木质或塑料表面，可用3M胶或安装螺钉
- 若用螺钉，则需预先打一个 1 mm 的孔。
- 对于金属表面，则仅使用3M胶。

操作元件

- F LED 状态灯
- G 功能键
- H 底盖螺丝
- I 温度和湿度传感器孔
- J 底板

为确保温度和湿度的准确测量，切勿堵塞传感器的孔。

设置传感器

从底板上拆下主部件，以访问功能键 G。

与智能ZB/IP网关连接

- 在 1s 内快速按下功能键 3 次传感器可扫描可用的Zigbee网络。如果传感器成功连接到智能ZB/IP网关，则 LED 状态灯变为绿色。
- Wiser by SE app 中的指引明，通过智能ZB/IP网关设置传感器参数。

重置传感器

在 1s 内快速按下功能键 3 次，随后长按功能键一次（适用于 >10 s），即可将传感器重置为出厂默认模式。

所有配置数据，用户数据和网络数据均被删除。

技术参数

LED 状态灯的行为

请参阅系统用户指南。

故障排除

请参阅系统用户指南。

技术参数

电池	3 VDC, CR2450
电池寿命	最多5 年（电池寿命可能会因使用类型，固件升级频率和环境而异）
额定功率	≤90 mW
最大传输功率	≤7 dBm
IP 等级	IP20
工作温度	-10 °C - +50 °C
温度准确度	±1.5 °C
温度分辨率	0.1 °C
相对湿度	10% - 95%
湿度准确性	±5%
频率范围	2405 MHz - 2480 MHz
尺寸 (H × W × D)	45.0 × 45.0 × 17.2 mm
标准	符合 EN 60730-2-9 标准 符合 IEC 60730-2-13 标准
认证	符合 CE 标准 符合 Zigbee 3.0 标准

部件名称 Part Name	有害物质					
	铅 Pb	汞 Hg	镉 Cd	六价铬 Cr(VI)	多溴联苯 PBB	多溴二苯醚 PBDE
金属件 Metal parts	x	o	o	o	o	o
塑胶件 Plastic parts	o	o	o	o	o	o
电子件 Electronic	x	o	o	o	o	o
触点 Contacts	o	o	o	o	o	o
线缆和线缆附件 Cables and cabling accessories	o	o	o	o	o	o

本表格依据 SJ/T11364 的规定编制。
 o: 表示该有害物质在该部件所有均质材料中的含量均在GB/T 26572 规定的限量要求以下。
 x: 表示该有害物质至少在该部件的某一均质材料中的含量超出 GB/T 26572 规定的限量要求。

This table is made according to SJ/T 11364.
 o: indicates that the concentration of hazardous substance in all of the homogeneous materials for this part is below the limit as stipulated in GB/T 26572.

X: indicates that concentration of hazardous substance in at least one of the homogeneous materials used for this part is above the limit as stipulated in GB/T 26572.

商标

- Apple® 和 App Store® 是 Apple Inc. 的品牌名称或注册商标。
- Google Play™ Store 和 Android™ 是 Google Inc. 的品牌名称或注册商标。
- Zigbee® 是 Zigbee Alliance 的注册商标。

所有其他商标和注册商标均为其各自所有者的财产。

施耐德电气(中国)有限公司
 北京市朝阳区望京东路六号A座
 客户支持热线: 400 810 1315
se.com/contact