

en zh



Wiser by SE app



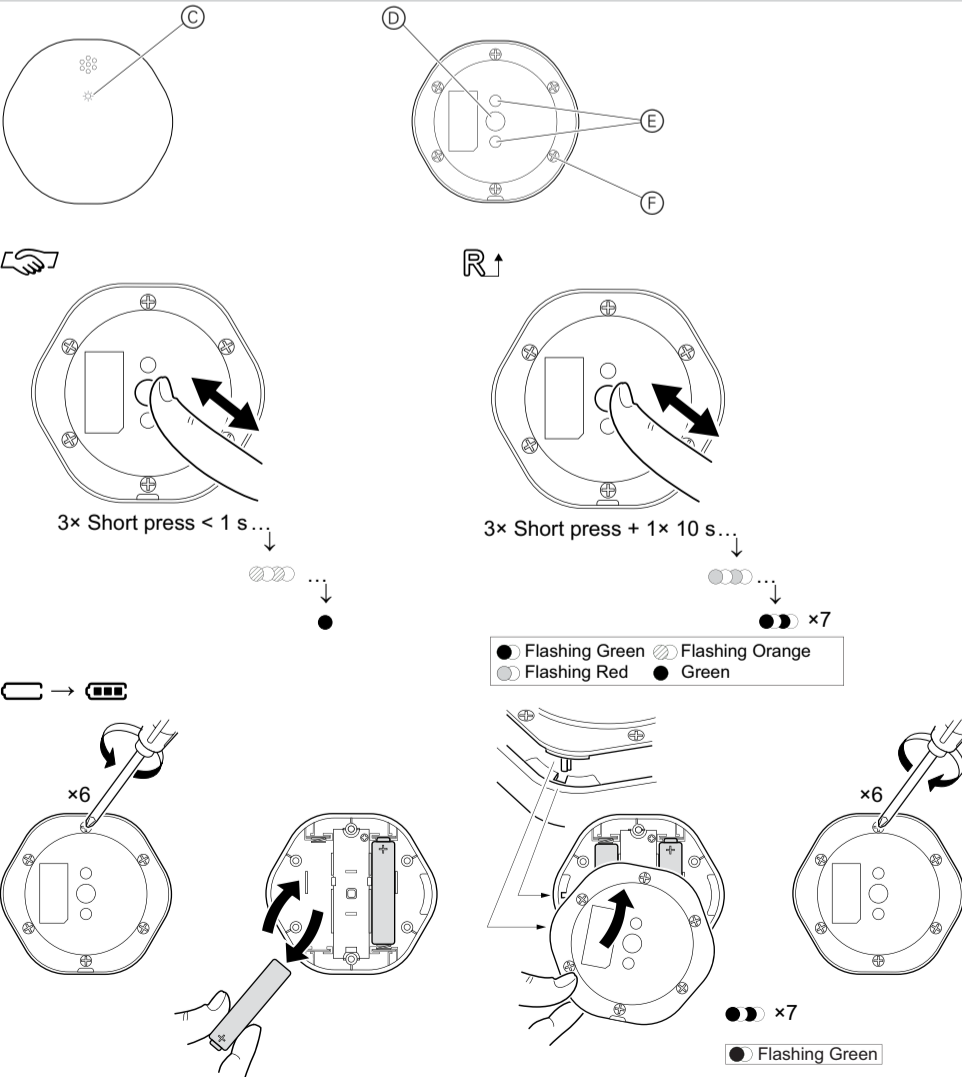
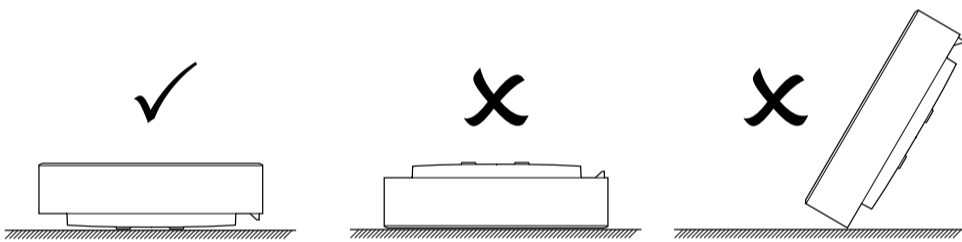
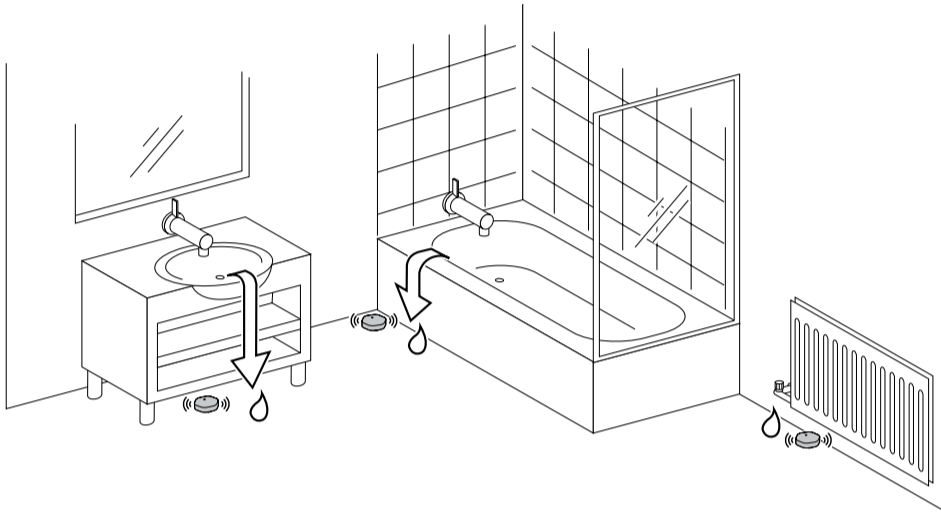
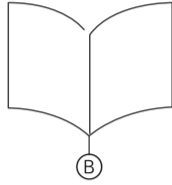
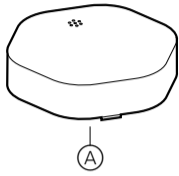
CCT592011_AS

Wiser



Works with Wiser Hub CCT501900. Refer to system user guide for more information:

https://download.schneider-electric.com/files?p_Doc_Ref=MFR1569800



en

Wiser Water Leakage Sensor

CCT592011_AS

For your safety

NOTICE

RISK OF DAMAGE TO DEVICE

Always operate the product in compliance with the specified technical data.

Failure to follow these instructions can result in equipment damage.

Prerequisites

Scan the QR code to download the Wiser by SE app onto your smartphone to configure and control the Wiser Water Leakage Sensor.



App Store URL:
<https://itunes.apple.com/us/app/wiser-by-se/id1026806919?ls=1&mt=8>



Google Play URL:
<https://play.google.com/store/apps/details?id=com.schneiderelectric.WiserBySE>

Getting to know the product

The Wiser Water Leakage Sensor has two sensing pads at the bottom of the body that activates when water is present between the two pads.

The pads are in contact with the floor surface when the sensor is placed in its operating position.

When the sensor is connected to the Wiser Hub and detects water on the floor, the sensor send out sound alarm and reports the event to the Hub.

When the battery is low (less than 10%), the status LED blinks orange once per minute, short beep sound is sent out once every minute, and a message is sent to the Wiser Hub.

Package contents

- (A) Wiser Water Leakage Sensor
- (B) Installation instructions

Choosing the installation location

The Water Leakage Sensor should be placed where leaks are likely to occur. For the most part, this will be on the bottom level of your home or places like basement, kitchen, bathroom, balcony, bedroom, living room, utility room or anywhere you think leaks are possible.

Locations to consider

Floor drain, water heater, sump pump, washing machine, toilet, dishwasher, refrigerators, water purifier, water softener, sinks like kitchen sink, bathroom sink and other sinks, older pipes, heating radiator, bathtub, boiler, fish tank, etc.



Avoid locations where the sensor may be accidentally kicked or otherwise moved. The best locations are on the floor in corners, within cabinets with exposed plumbing, beneath cabinets, or other fixtures.

Do not locate the sensor right beneath the place where leakage is likely to happen.

Do not locate the sensor at the area with rain, oil smoke and steam of cooking range.

The sensor may not be able to properly detect a water leak if the water contains contaminants such as oil, or if the water is frozen (i.e. ice or snow).

Mounting the sensor

Install the sensor unit so that the sensing pads are horizontal. A water leak can only be detected if water touches both of the metal probes; if water touches only one of the probes, a water leak will not be detected.



Ensure that the sensor is placed such that the sensing pads are in contact with the floor or cabinet shelf.

Touching the sensing pads with your hand may trigger the sensor to send out an alarm signal. This is not a defect.

NOTICE

INOPERABLE EQUIPMENT

Do not completely immerse the sensor into the water.

Failure to follow these instructions can result in equipment damage.

Operating elements

- (C) Status LED
- (D) Function key
- (E) Sensing pads
- (F) Battery cover screws

Setting the sensor



Connecting to the Wiser Hub



- ① Short press the function key 3 times within 1 s. The sensor scans for the available Zigbee network. The status LED turns green if the sensor successfully connects to the Wiser Hub.
- ② Follow the instructions in the Wiser by SE app to set the sensor parameters through the Wiser Hub.

Resetting the sensor

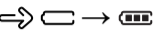


Short press the function key 3 times within 1 s and then long press the function key once for >10 s to reset the sensor to factory default mode.



All configuration data, user data, and network data is deleted.

Replacing the batteries



Behaviour of the status LED



Refer to the system user guide.

Troubleshooting



Refer to the system user guide.

Technical data

Battery	3 VDC, LR03 AAA ×2
Battery life	Up to 5 years (may vary based on the usage, frequency of firmware update and environment)
Power rating	≤90 mW
Max transmitted power	≤7 dBm
IP rating	IP44
Operating temperature	-10 °C to 50 °C
Relative humidity	10% to 95%
Frequency range	2405 MHz to 2480 MHz
Sound level	≥70 dB at 3 m distance
Dimensions (H × W × D)	70.8 × 68.68 × 18.96 mm
Standards	EN 60669-2-5 IEC 60669-2-5
Certification	CE compliant Zigbee 3.0 compliant

Trademarks

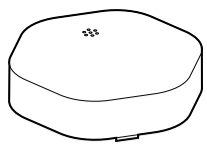
- Apple® and App Store® are brand names or registered trademarks of Apple Inc.
- Google Play™ Store and Android™ are brand names or registered trademarks of Google Inc. Apple® and App Store™ are brand names or registered trademarks of Apple Inc.
- Zigbee® is a registered trademark of the Zigbee Alliance..

Other brands and registered trademarks are properties of their relevant owners.

Schneider Electric Asia Pacific Limited

11th Floor, Kerry Centre, 683 King's Road, Quarry Bay, Hong Kong

se.com/contact



en zh



Wiser by SE app

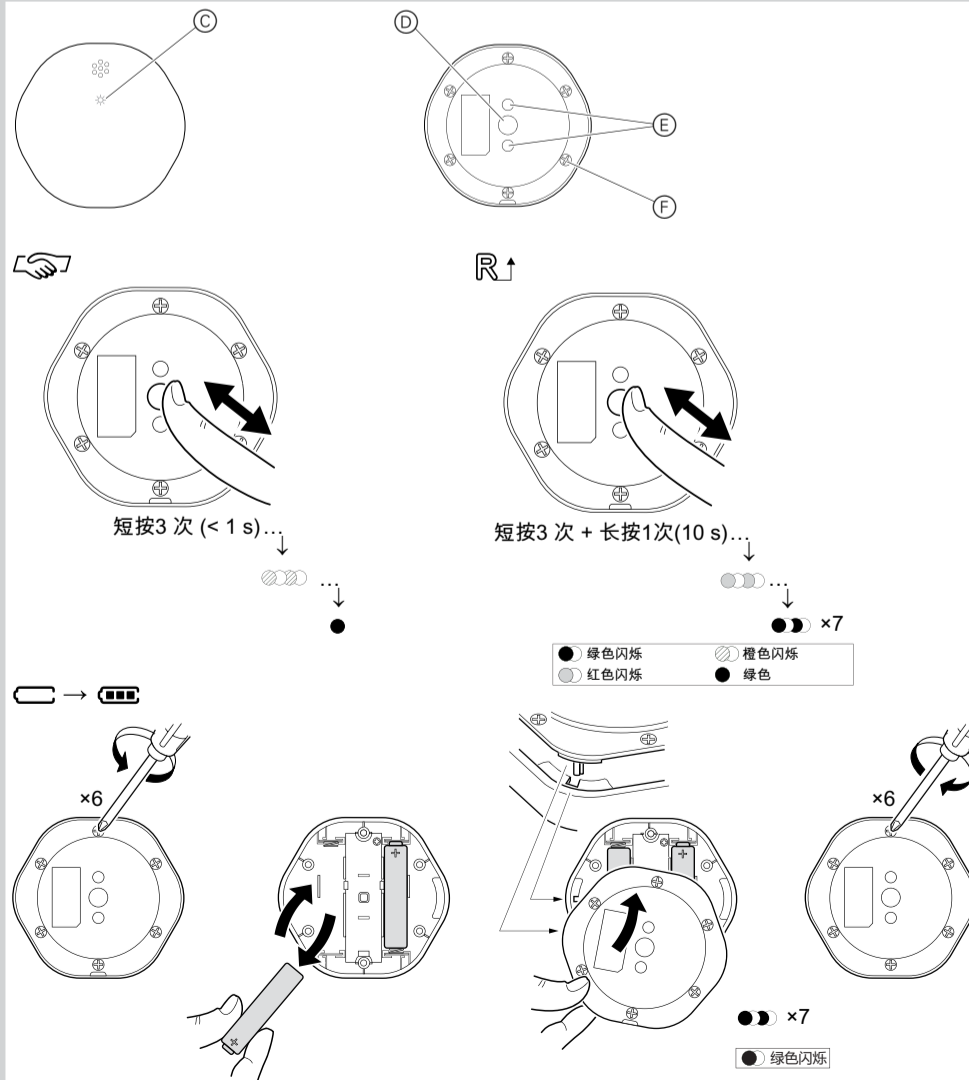
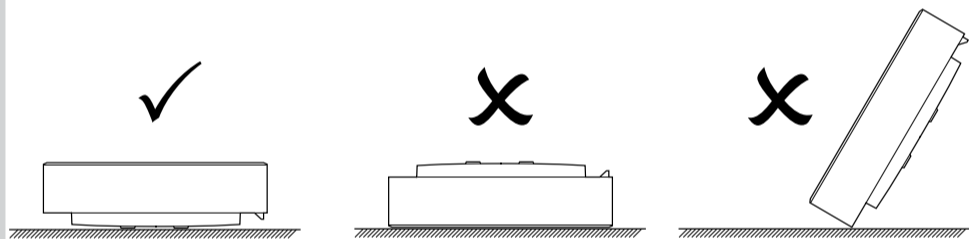
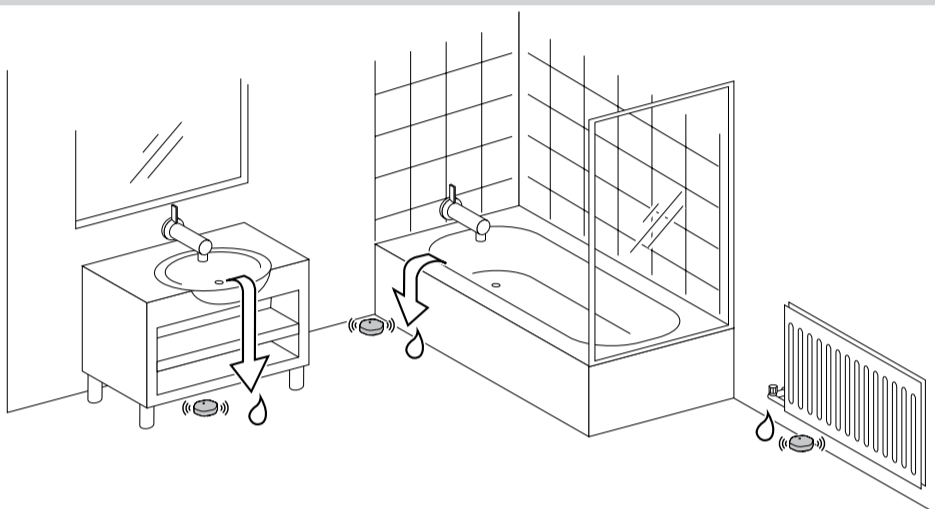
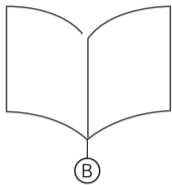
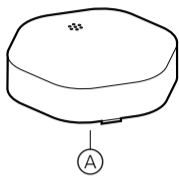


CCT592011_AS

Wiser



该产品与wiser网关CCT501900 或CCT501400_C1 匹配工作请参考
https://download.schneider-electric.com/files?p_Doc_Ref=MFR1569800



zh 智能水浸传感器
CCT592011_AS

安全提示

注意

设备损坏风险

请始终根据指定的技术数据操作产品。
若不遵守此说明，则可能会导致设备损坏。

前提条件

扫描二维码下载 Wiser by SE app 到您的智能手机，以配置和安装智能水浸传感器



App Store 的 URL:
<https://itunes.apple.com/us/app/wiser-by-se/id1026806919?ls=1&mt=8>



Android Store 的 URL:
<https://www.schneider-electric.cn/zh/product-range-download/65750-臻尚无线智能家居/#/software-firmware-tab>

产品简介

Wiser 漏水传感器的机身底部有两个传感垫，可在漏水时激活当传感器位于其工作位置时，传感垫距接触表面1mm。

当传感器连接到智能ZB/IP网关上，且检测到地面有水时，传感器发出蜂鸣声并将直接向智能ZB/IP网关报告事件。

若电池电量不足（低于 10%），LED 状态灯每分钟呈橙色闪烁一次，传感器每分钟发出一次短时的滴滴声，并向智能ZB/IP网关发送一条消息。

包装内容

- (A) 智能水浸传感器
- (B) 安装说明书

选择安装位置

智能水浸传感器推荐放置在有可能发生漏水状况的位置。在大部分情况下，这些地方通常是家中或特定区域的地面位置，比如地下室，厨房，浴室，阳台，卧室，客厅，杂物间等其他有可能发生漏水的地方。

推荐安装放置处

地漏，热水器，排水泵，洗衣机，马桶，洗碗机，冰箱，净水器，软水器，厨房和浴室等处的水槽，老旧水管，暖气片，浴缸，锅炉，鱼缸等处。



- 避免将传感器安装在易踢到或移动的位置。安装的最佳位置包括角落里的地面，带有外露管道的柜内，柜下或其他固定装置上。
- 请不要将感应器放在可能漏水的位置的正下方
- 请不要将感应器放置在潮湿区域，例如露天，油烟及会接触厨房蒸汽的地方
- 如果检测到泄露的水中含有油质或者结冰，感应器可能会不能正常工作进行漏水报警

安装传感器

安装感应器时请确保两个感应探针保持水平。当两个探针均接触到水时，才会触发漏水报警。如果仅有一个探针接触到水时，漏水将不会被探测到。



- 放置传感器时，确保其传感垫与地面或柜搁板相接触。
- 当用手同时触碰到感应器的两个探针时，可能会因为手上的汗液导致感应器触发报警，这属于正常现象。

注意

设备无法操作

请勿将传感器完全浸入水中。
若不遵守此说明，则可能会导致设备损坏。

操作元件

- (C) LED 状态灯
- (D) 功能键
- (E) 感应片
- (F) 电池的盖用螺丝

设置传感器

与智能ZB/IP网关连接

- 在 1 s 内快速按下功能键 3 次传感器可扫描可用的Zigbee网络。如果传感器成功连接到智能ZB/IP网关，则 LED 状态灯变为绿色。
- 按照 Wiser by SE app 中的指引，通过智能ZB/IP网关设置传感器参数。

重置传感器

在 1 s 内快速按下功能键 3 次，随后长按功能键一次（适用于 >10 s），即可将传感器重置为出厂默认模式。



所有配置数据，用户数据和网络数据均被删除。

更换电池

LED 状态灯的行为

请参阅系统用户指南。

故障排除

请参阅系统用户指南。

技术参数

电池	3 VDC, LR03 AAA ×2
电池寿命	最多5 年（电池寿命可能会因使用类型，固件升级频率和环境而异）
额定功率	≤90 mW
最大传输功率	≤7 dBm
IP 等级	IP44
工作温度	-10 °C - +50 °C
相对湿度	10% - 95%
频率范围	2405 MHz - 2480 MHz
音量	3 m 的距离，≥70 dB
尺寸 (H × W × D)	70.8 × 66.7 × 19.0 mm
标准	符合 EN 60669-2-5 标准 符合 IEC 60669-2-5 标准
认证	符合 CE 标准 符合 Zigbee 3.0 标准

部件名称 Part Name	有害物质					
	铅 Pb	汞 Hg	镉 Cd	六价铬 Cr(VI)	多溴联苯 PBB	多溴二苯醚 PBDE
金属件 Metal parts	x	o	o	o	o	o
塑胶件 Plastic parts	o	o	o	o	o	o
电子件 Electronic	x	o	o	o	o	o
触点 Contacts	o	o	o	o	o	o
线缆和线缆附件 Cables and cabling accessories	o	o	o	o	o	o

本表格依据 SJ/T11364 的规定编制。

o: 表示该有害物质在该部件所有均质材料中的含量均在GB/T 26572 规定的限量要求以下。

x: 表示该有害物质至少在该部件的某一均质材料中的含量超出 GB/T 26572 规定的限量要求。

This table is made according to SJ/T 11364.

o: indicates that the concentration of hazardous substance in all of the homogeneous materials for this part is below the limit as stipulated in GB/T 26572.

x: indicates that concentration of hazardous substance in at least one of the homogeneous materials used for this part is above the limit as stipulated in GB/T 26572.

商标

- Apple® 和 App Store® 是 Apple Inc. 的品牌名称或注册商标。
- Android™ 是 Google Inc. 的品牌名称或注册商标。
- Zigbee® 是 Zigbee Alliance 的注册商标。

所有其他商标和注册商标均为其各自所有者的财产。

施耐德电气(中国)有限公司

北京市朝阳区望京东路六号A座

客户支持热线: 400 810 1315

se.com/contact