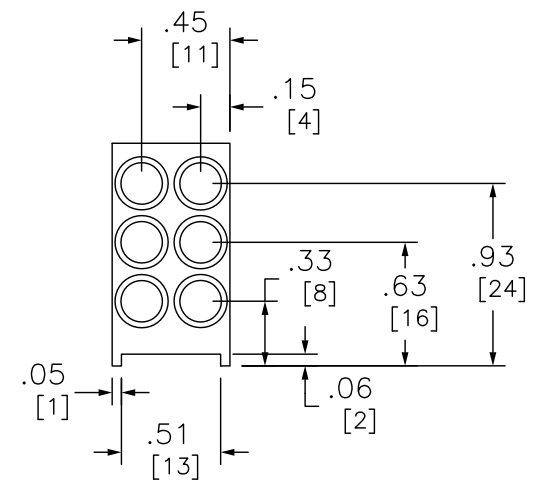
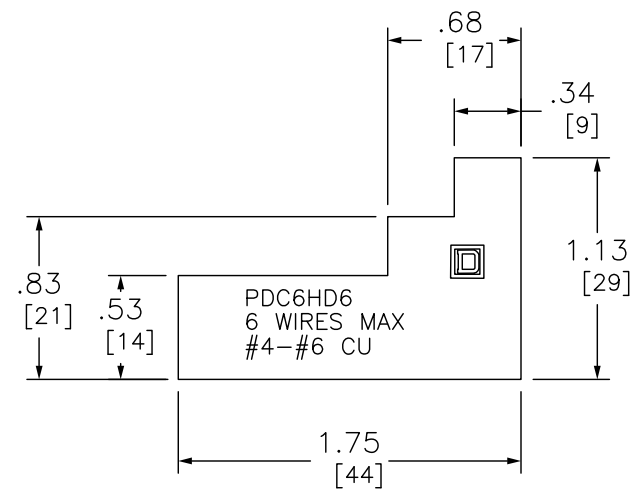


TOP



FRONT



SIDE

DUAL DIMENSIONS: INCHES
MILLIMETERS

PDC6HD6
CB POWER DISTRIBUTION CONNECTOR (3)



DWG# PDC6HD6
NO.