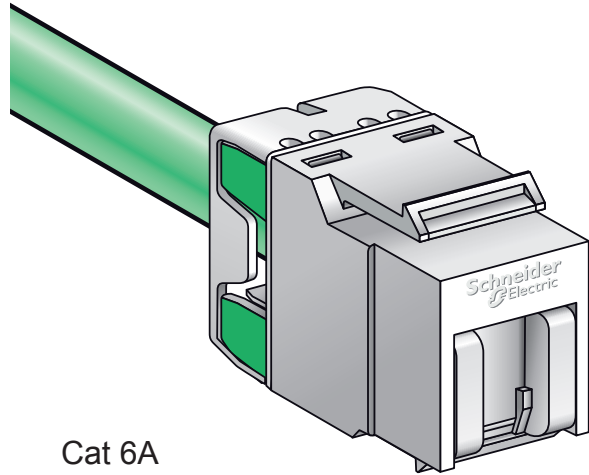
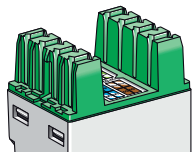


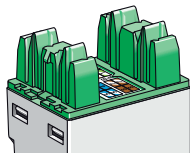
# How to connect S110 Keystone connector to reach performance.



Cat 5e & 6



Cat 6A



UL LISTED  
E473709

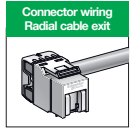
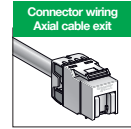
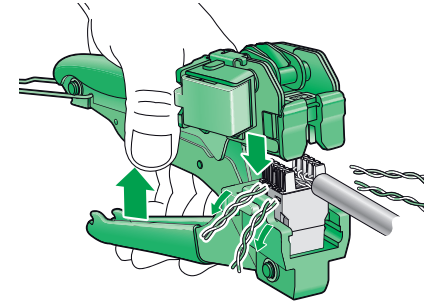
PoE+  
4P PoE+

Life Is On



V 3

## With quick termination tool



EIA-TIA 568B (100Ω)

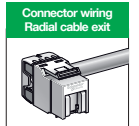
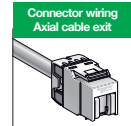
5	4	A	6	3
5	4	B	6	3
8	7	B	1	2
8	7	A	1	2

EIA-TIA 568A (100Ω)

5	4	A	6	3
5	4	B	6	3
8	7	B	1	2
8	7	A	1	2



## With punch down tool



EIA-TIA 568B (100Ω)

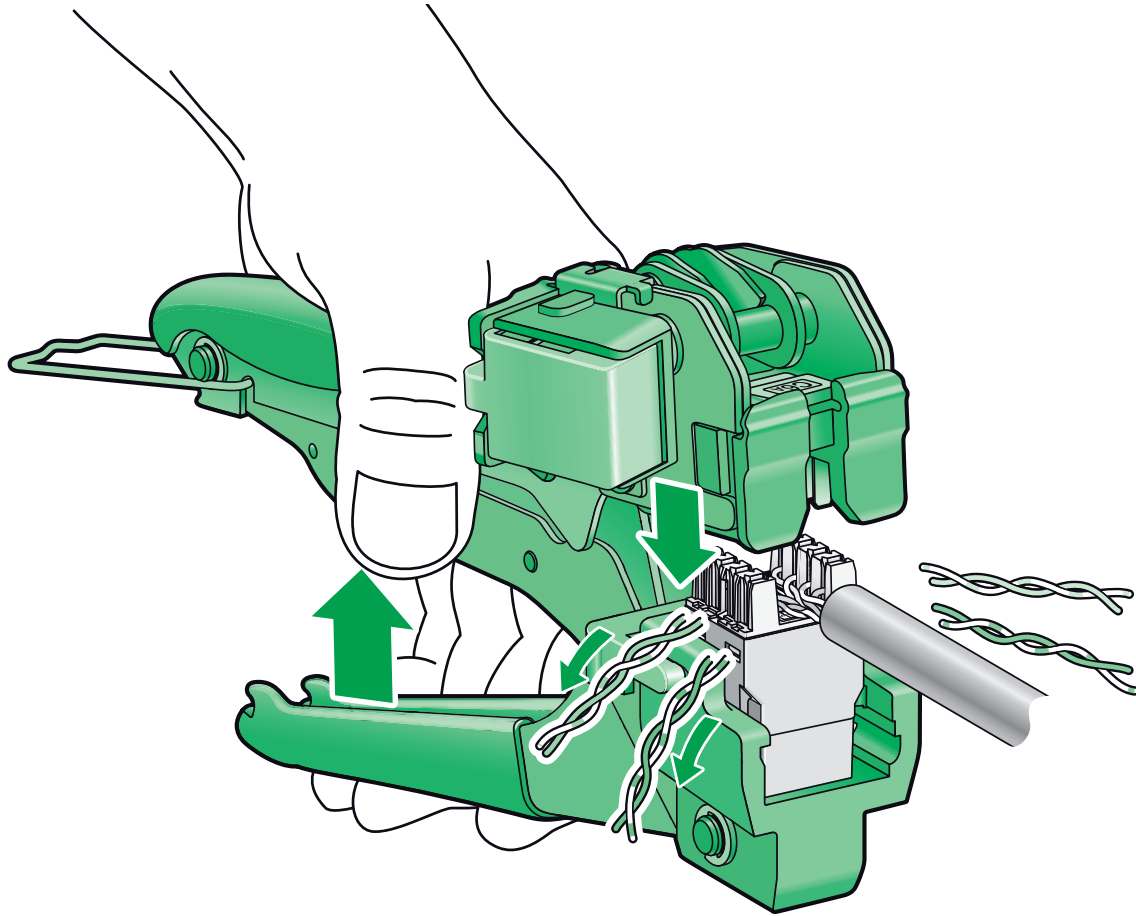
5	4	A	6	3
5	4	B	6	3
8	7	B	1	2
8	7	A	1	2

EIA-TIA 568A (100Ω)

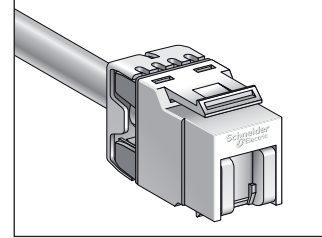
5	4	A	6	3
5	4	B	6	3
8	7	B	1	2
8	7	A	1	2



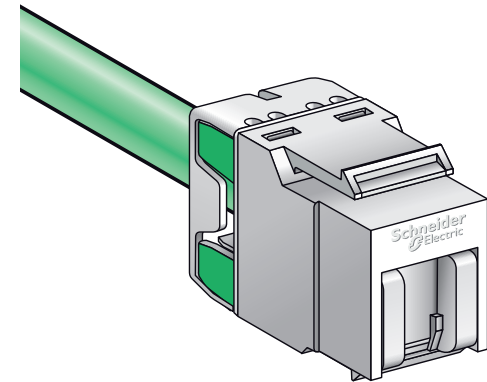
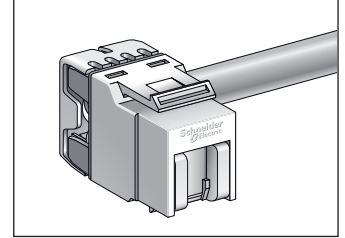
# With quick termination tool



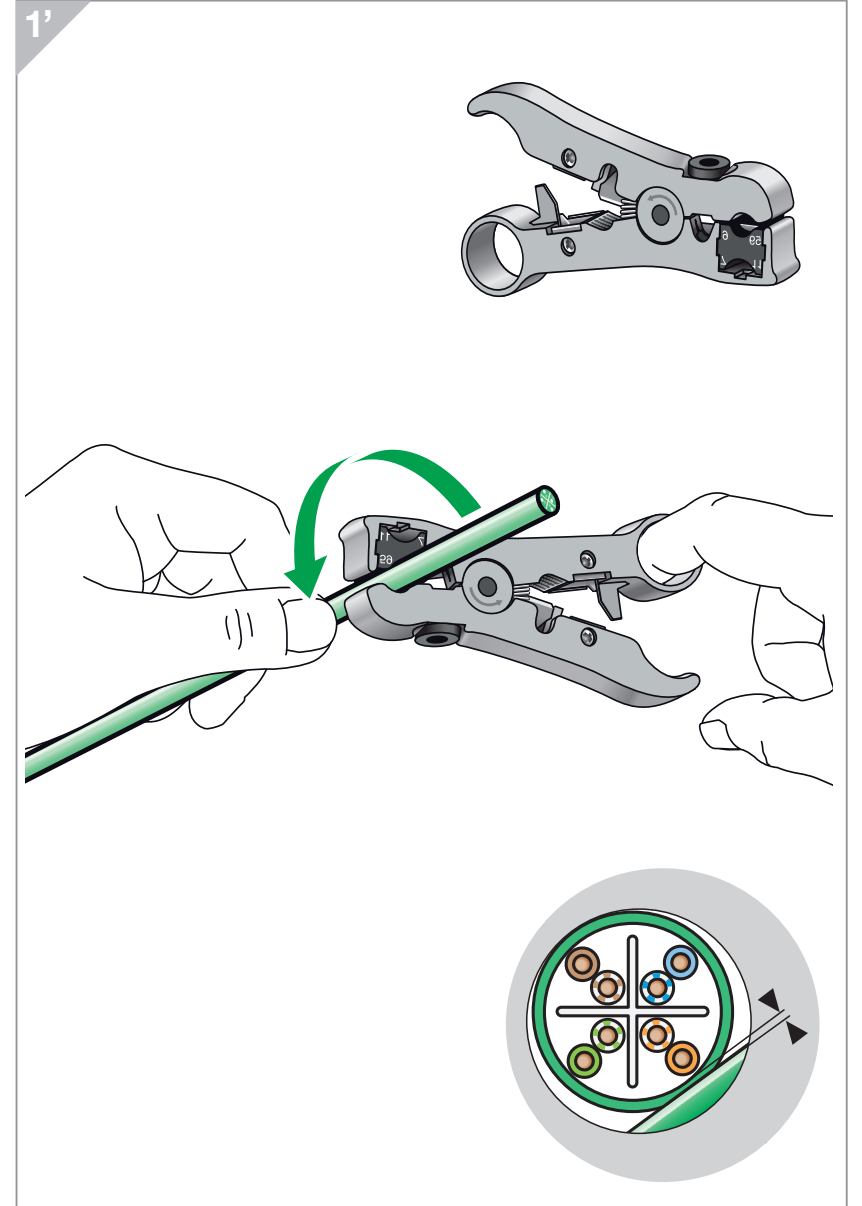
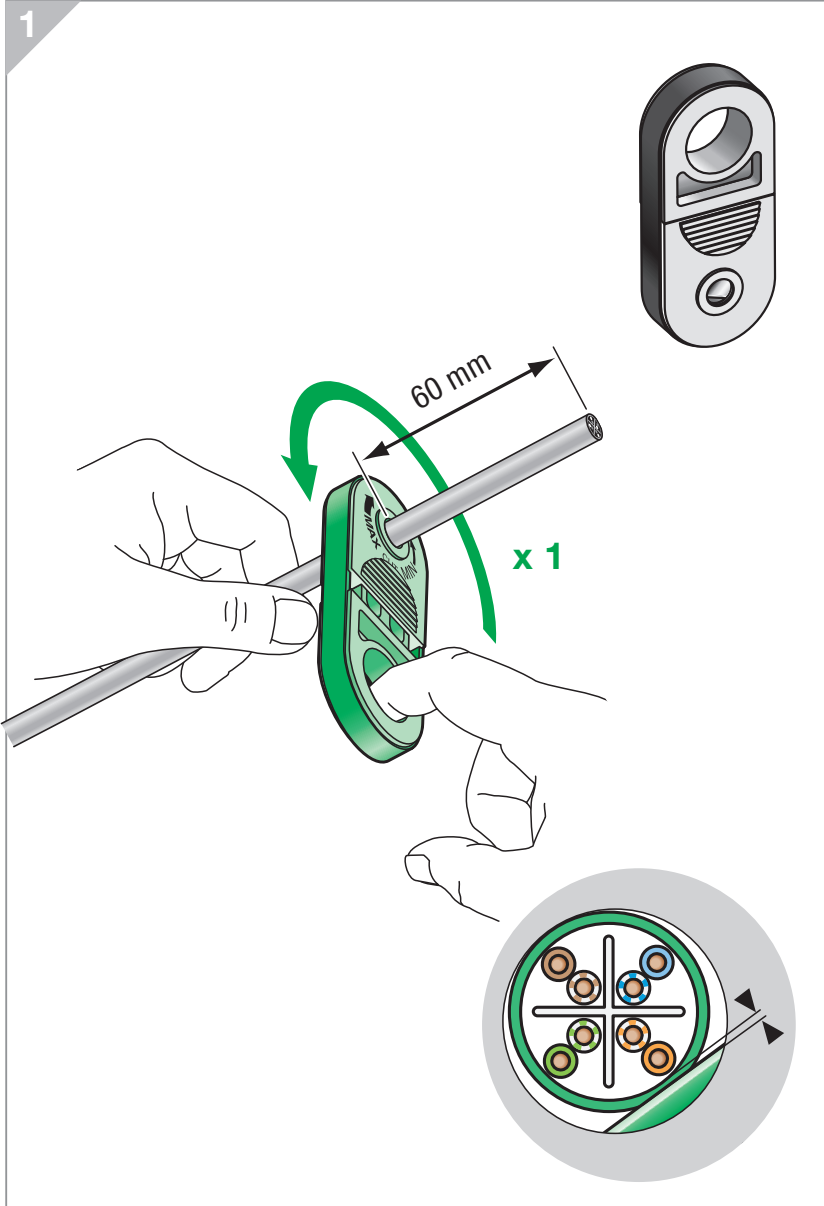
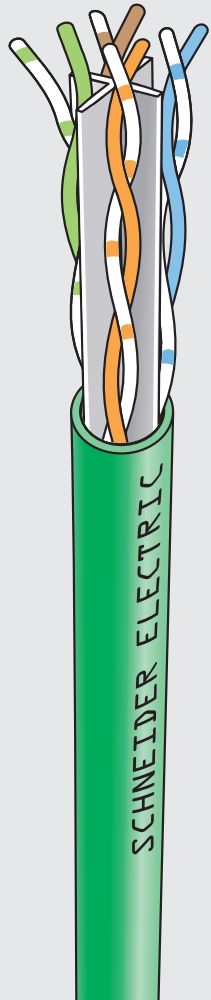
Connector wiring  
Axial cable exit

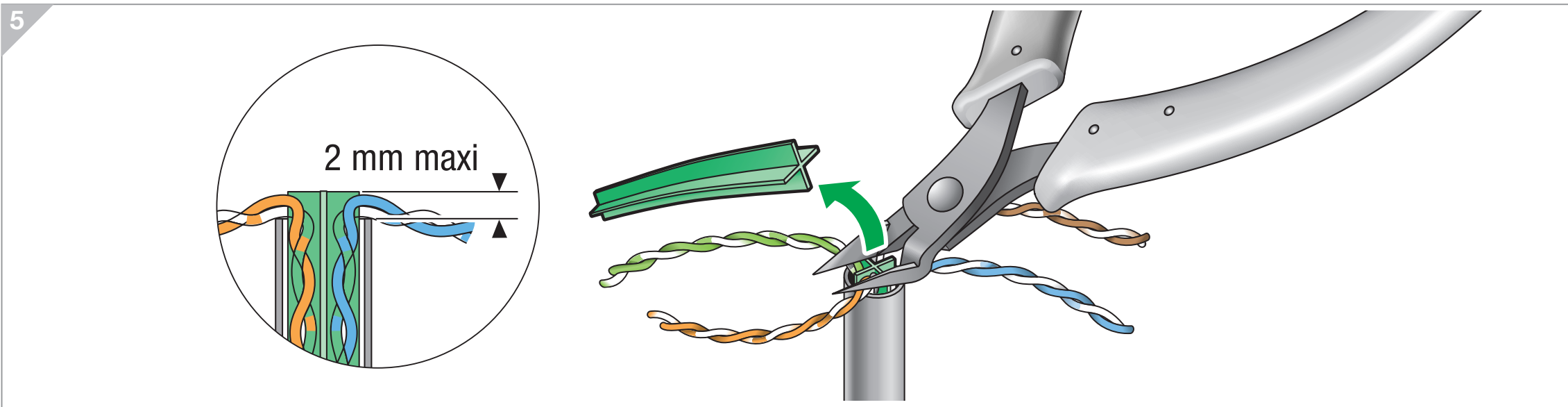
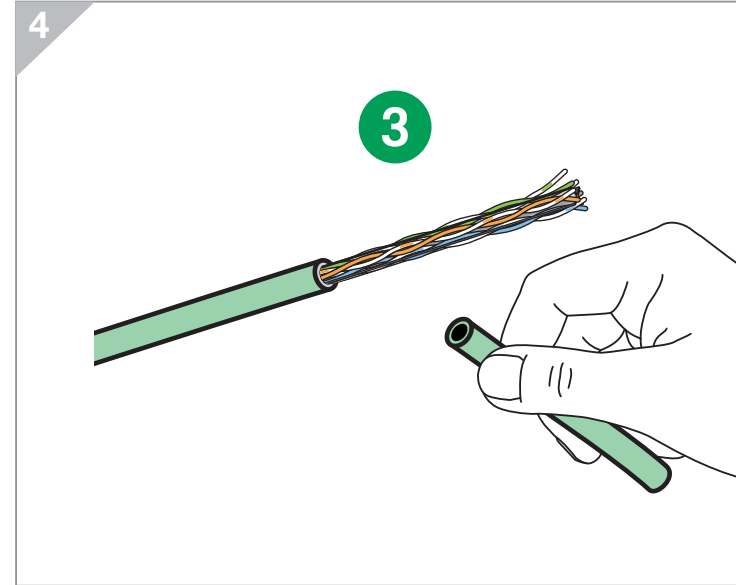
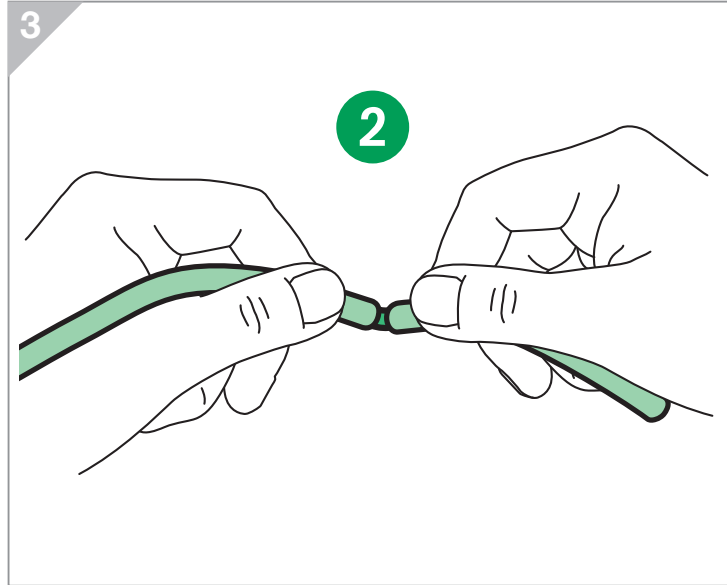
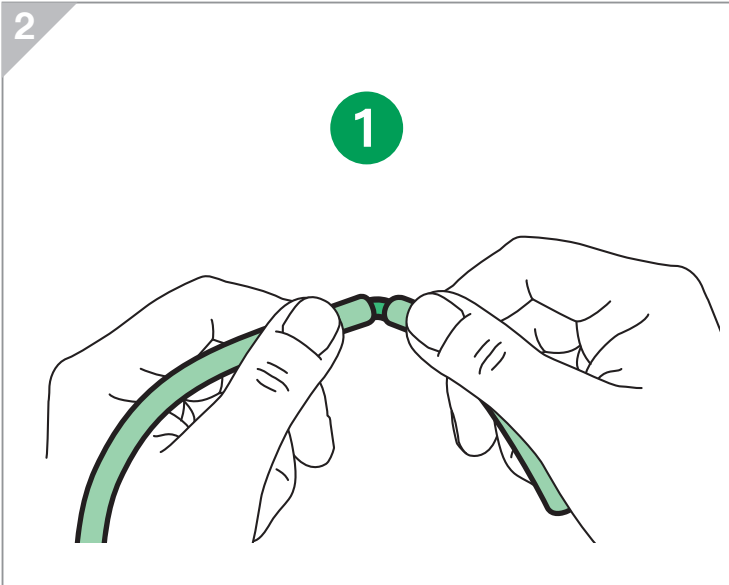


Connector wiring  
Radial cable exit



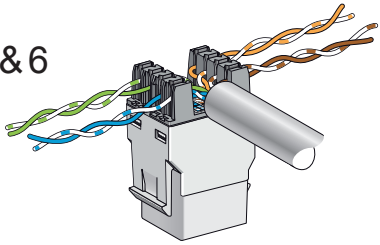
A



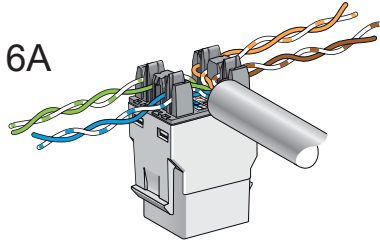


# B Convention B

Cat 5e & 6

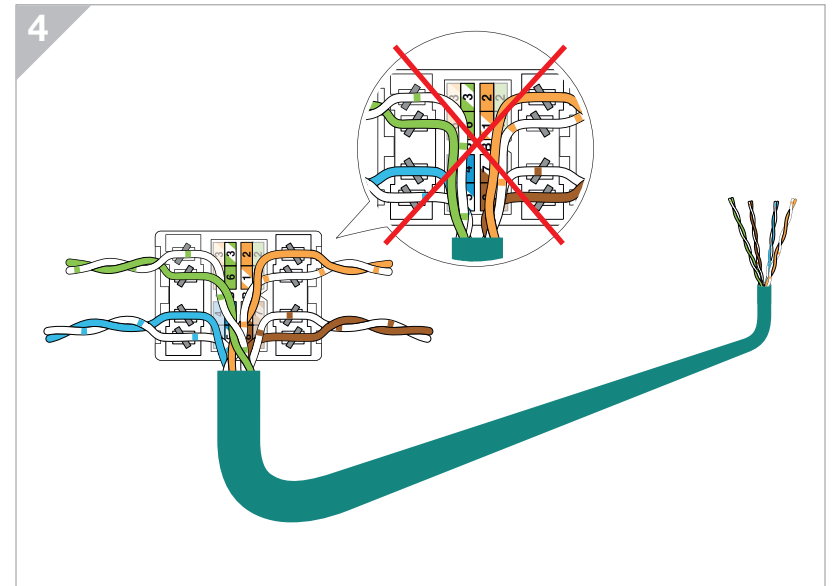
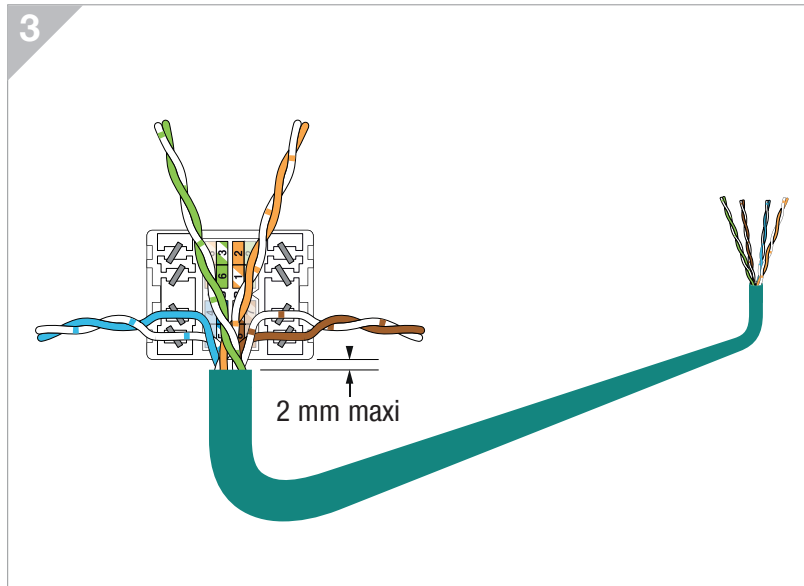
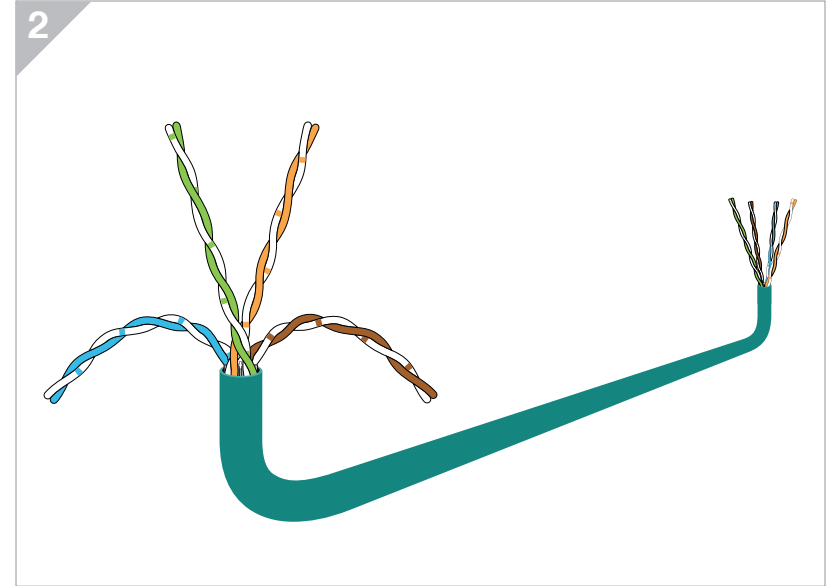
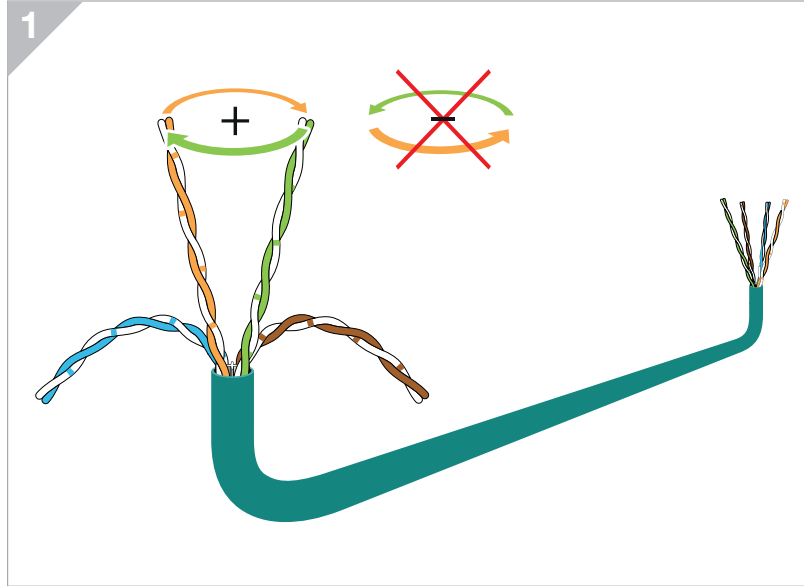


Cat 6A



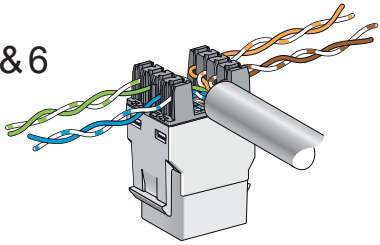
EIA-TIA 568B (100Ω)

3	3	2	2
6	6	1	1
A	B	B	A
4	4	7	7
5	5	8	8

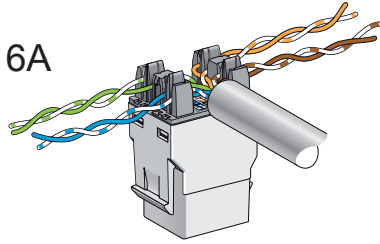


# B Convention B

Cat 5e & 6

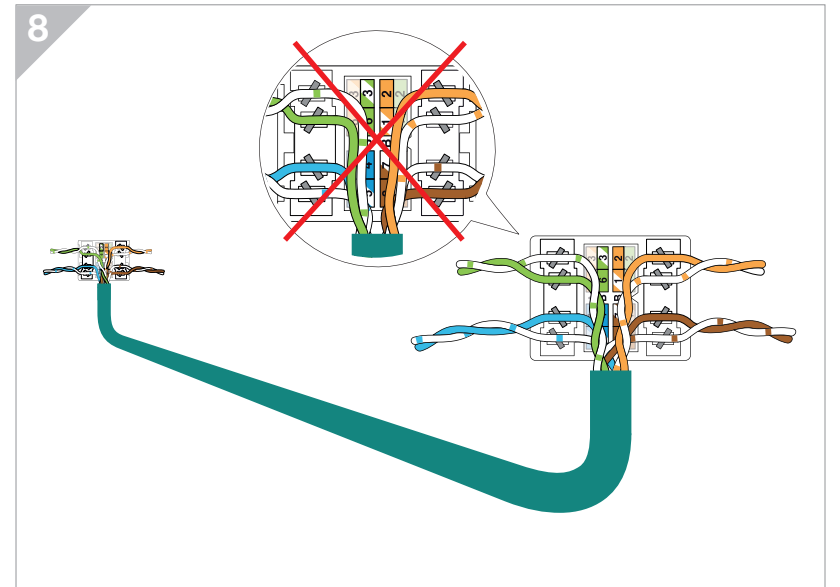
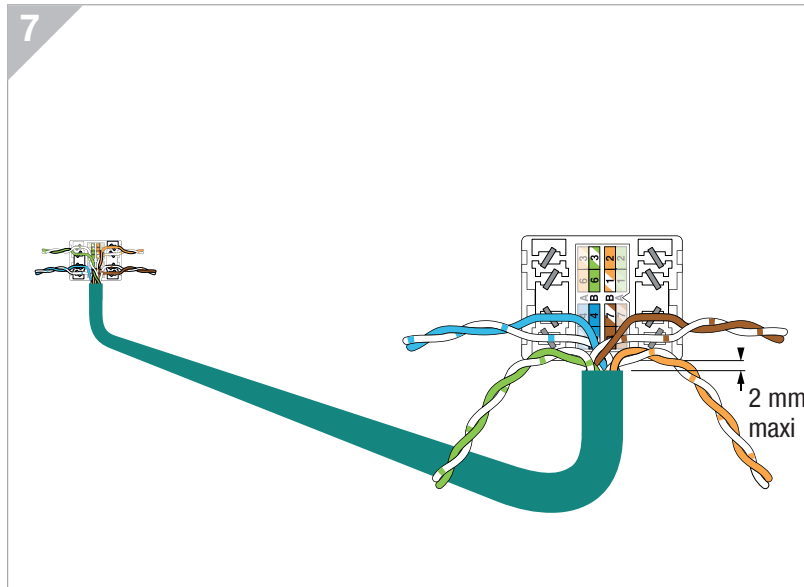
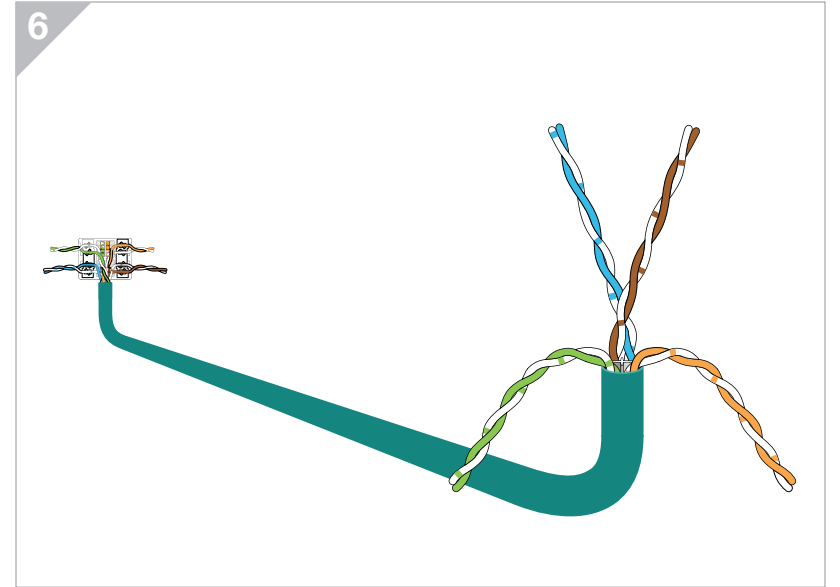
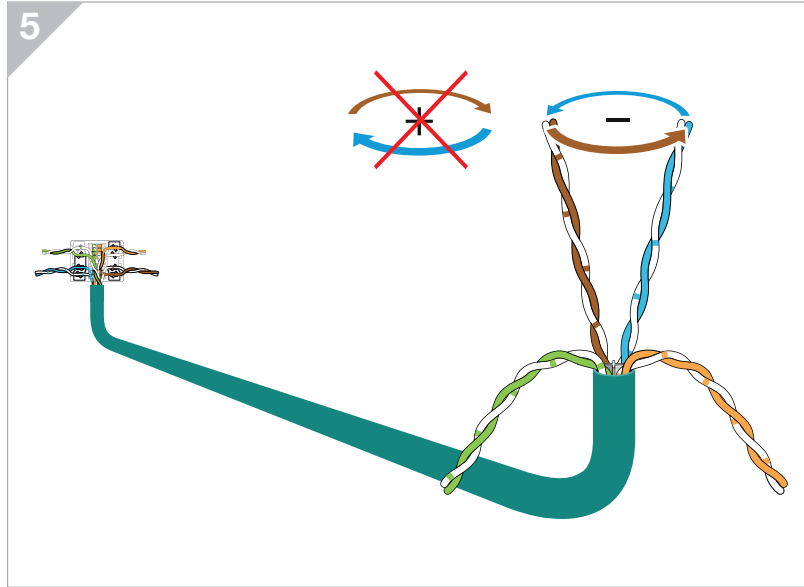


Cat 6A



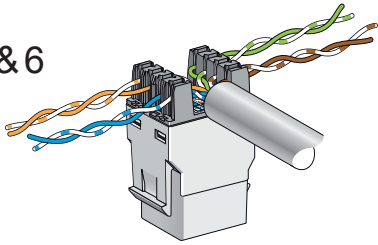
EIA-TIA 568B (100Ω)

3	3	2	2
6	6	1	1
A	B	B	A
4	4	7	7
5	5	8	8

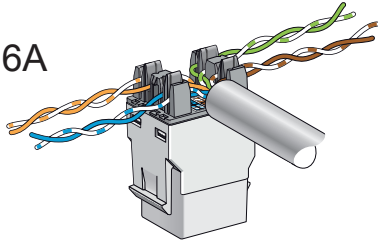


# B Convention A

Cat 5e & 6

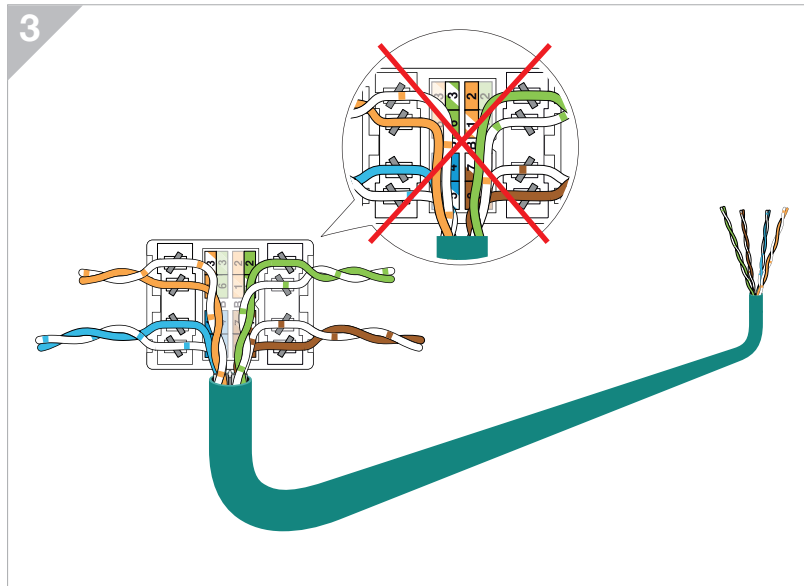
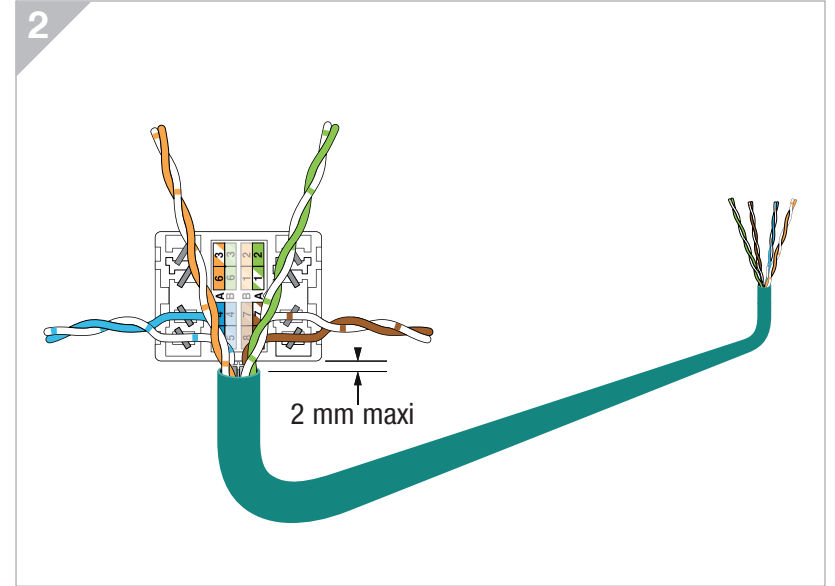
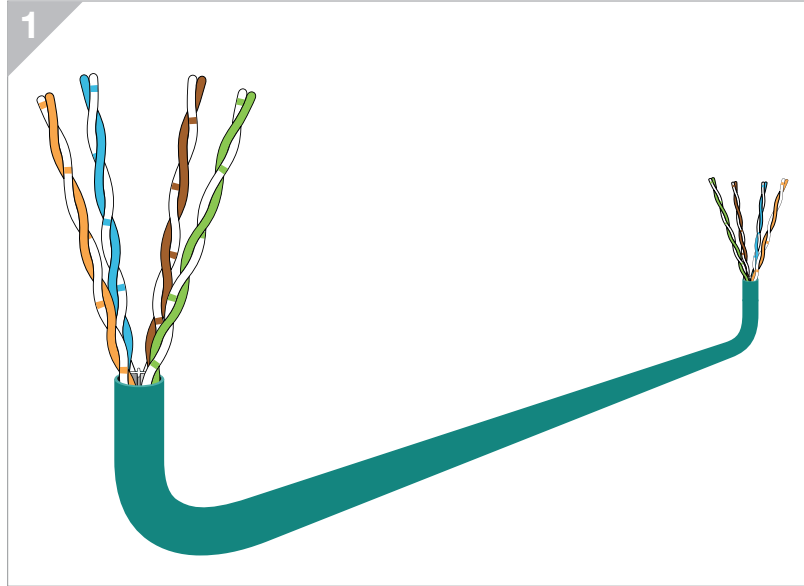


Cat 6A



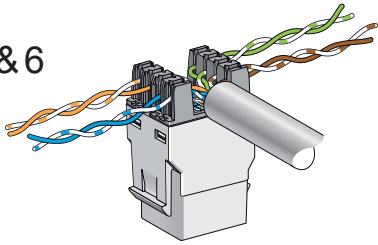
EIA-TIA 568A (100Ω)

5	4	A	6	3
5	4	B	6	3
8	7	B	1	2
8	7	A	1	2

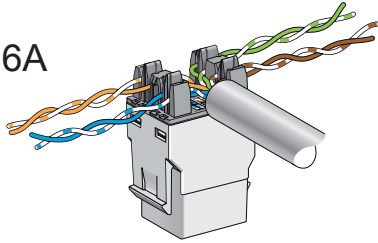


# B Convention A

Cat 5e & 6

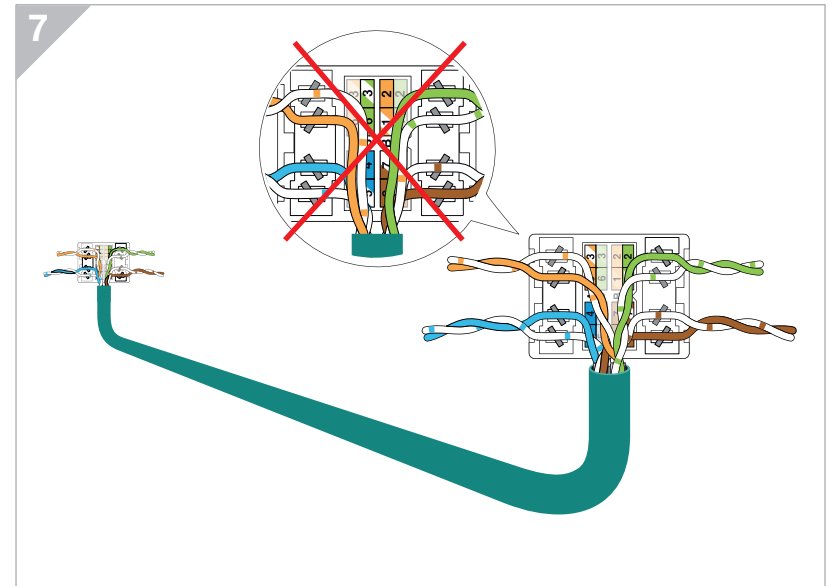
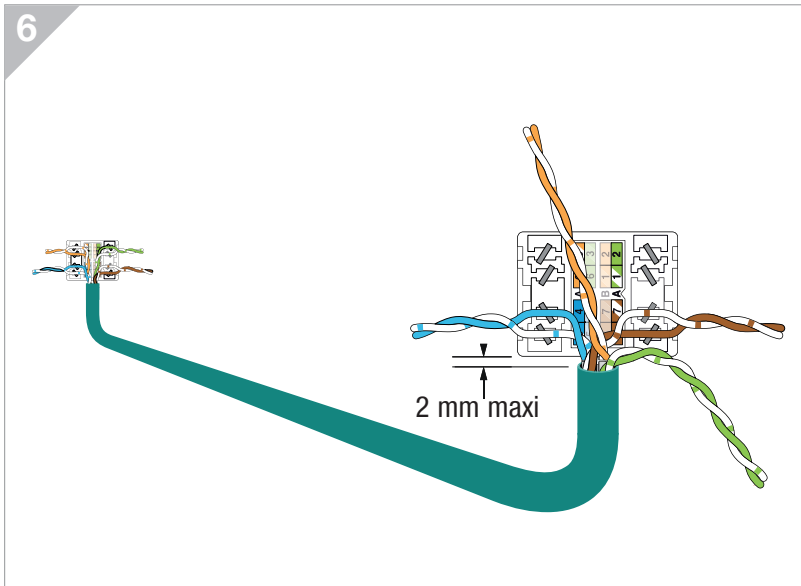
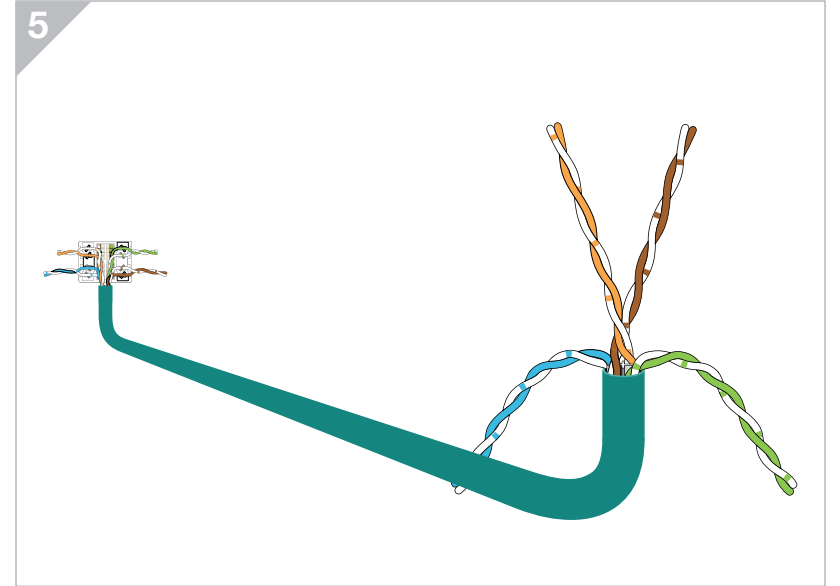
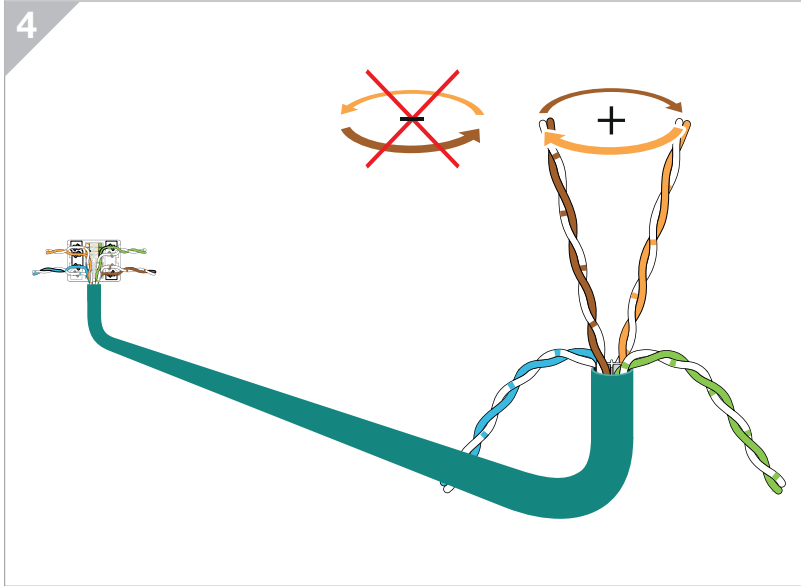


Cat 6A



EIA-TIA 568A (100Ω)

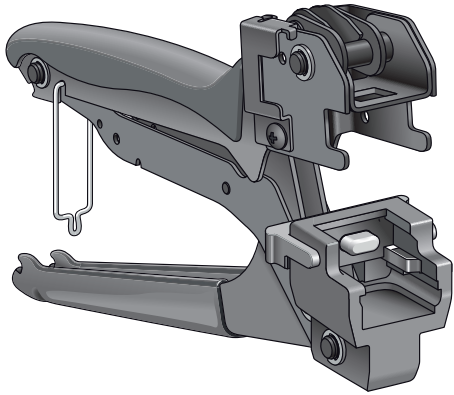
5	4	A	6	3	B	6	3
8	7	B	1	2	A	1	2



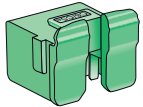




x1

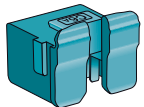


Cat 5e  
&  
Cat 6



x1

Cat 6A



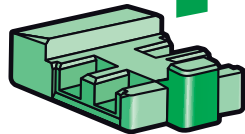
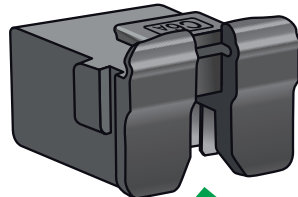
x1

Ref. VDIB2736

## CAUTION

### RISK OF HAND INJURY

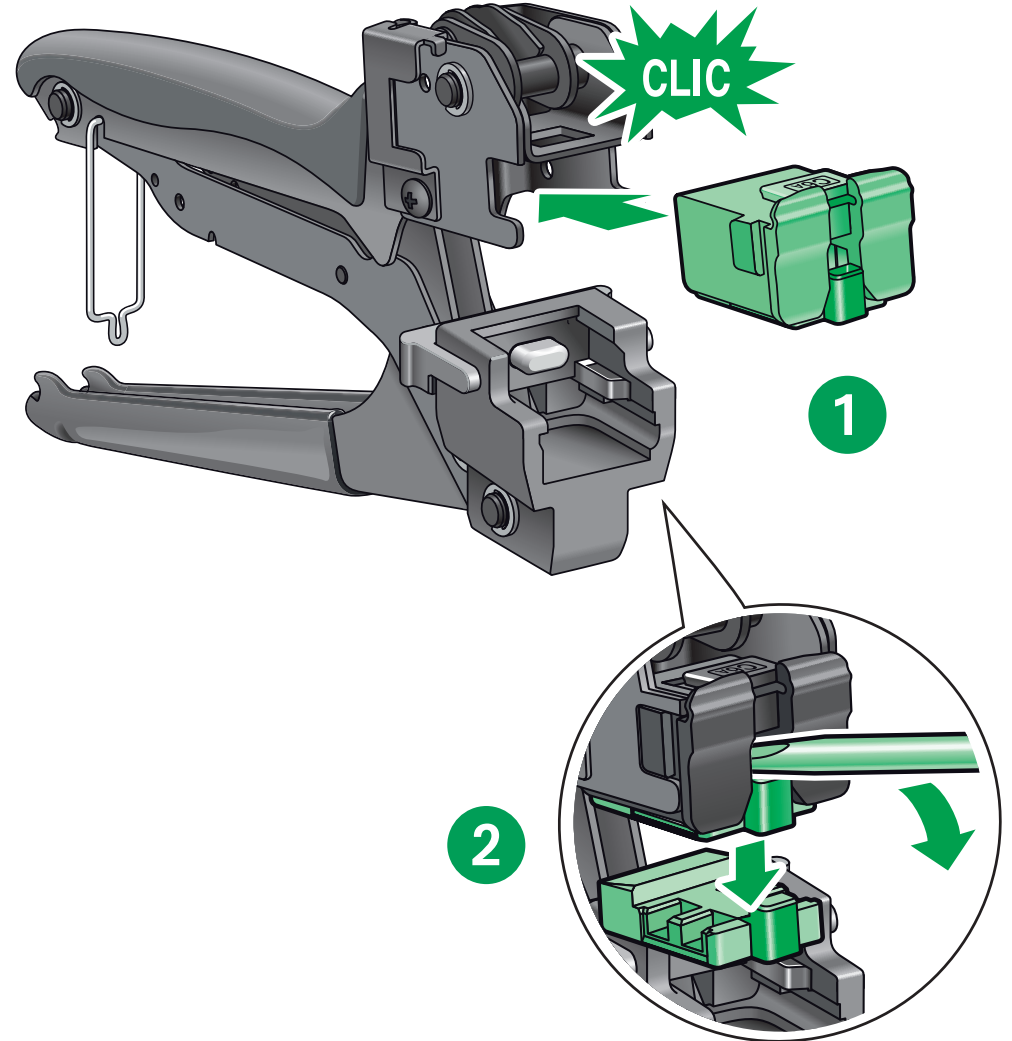
- Tool has parts that can pinch/cut.
- Keep hands and fingers clear use protective cap and close the tool



- Use protective cap

**Failure to follow  
these instructions  
may result in injury**

1



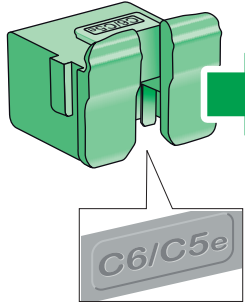
2



x1

Cat 5e  
&  
Cat 6

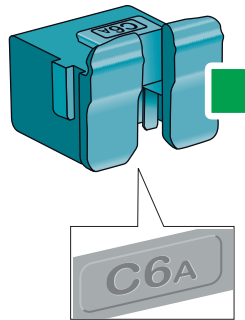
Cat 5e  
&  
Cat 6



x1

Cat 6A

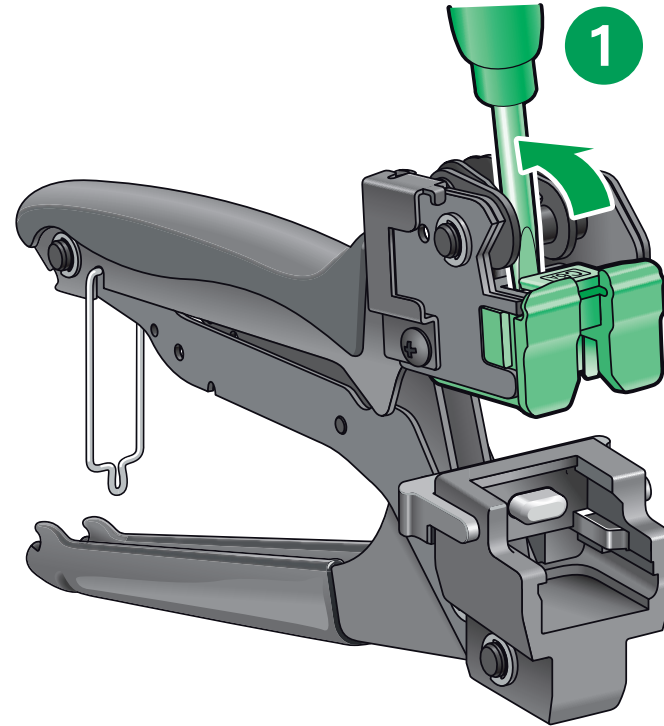
Cat 6A



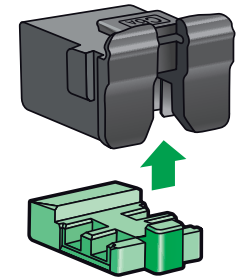
Ref. VDIB2736CM

3

### Replacement of cutting module

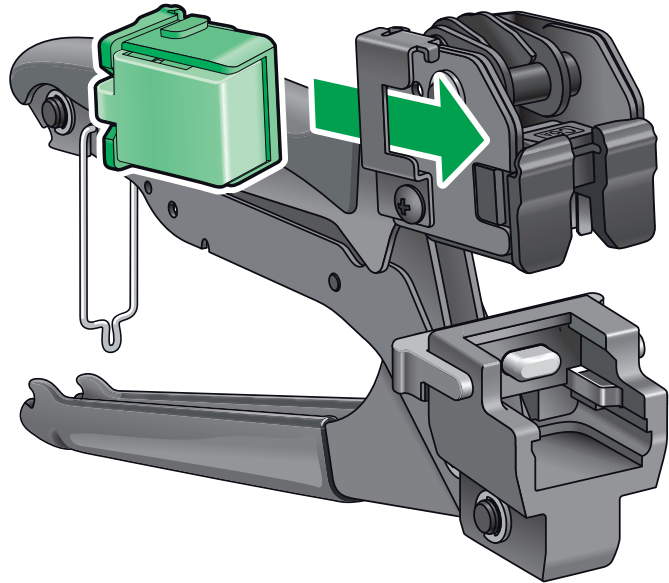


2



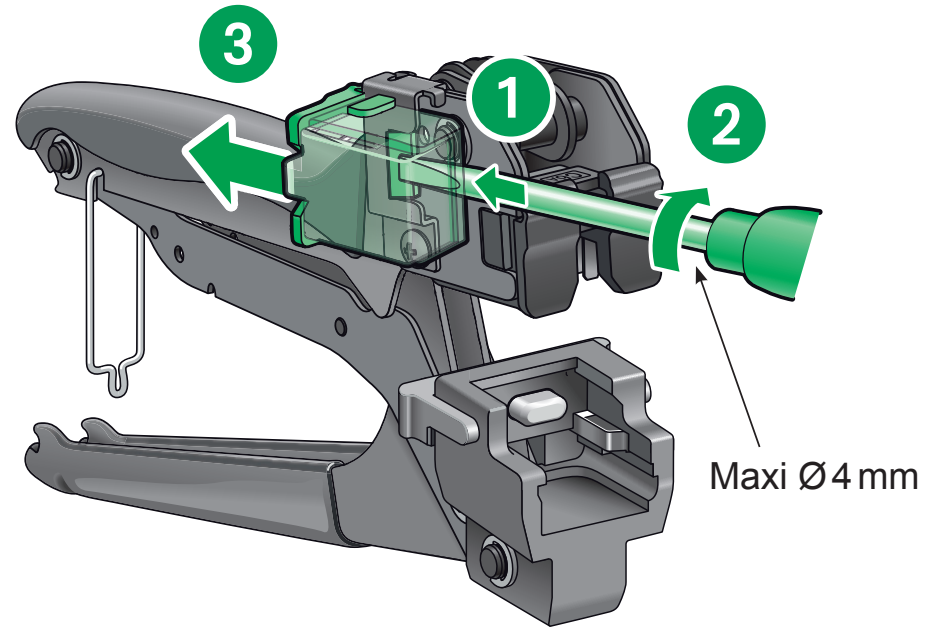
4

### Mount of the cutting module

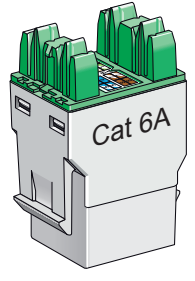
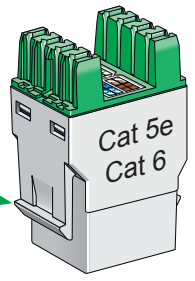
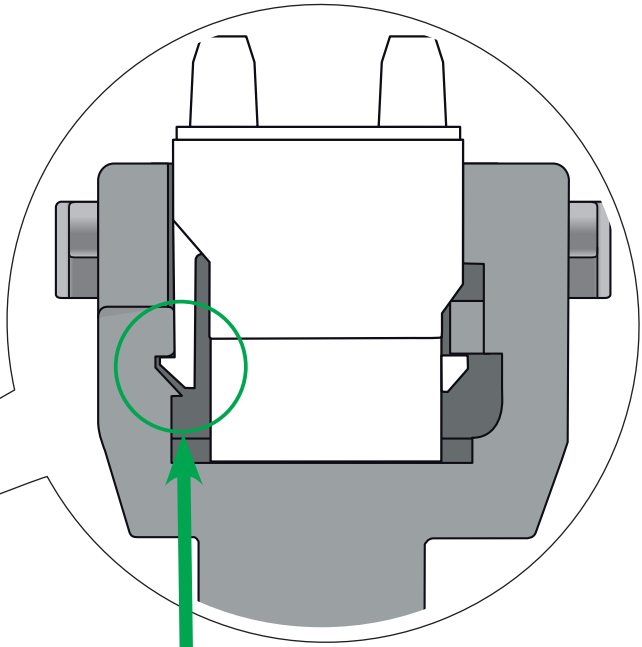
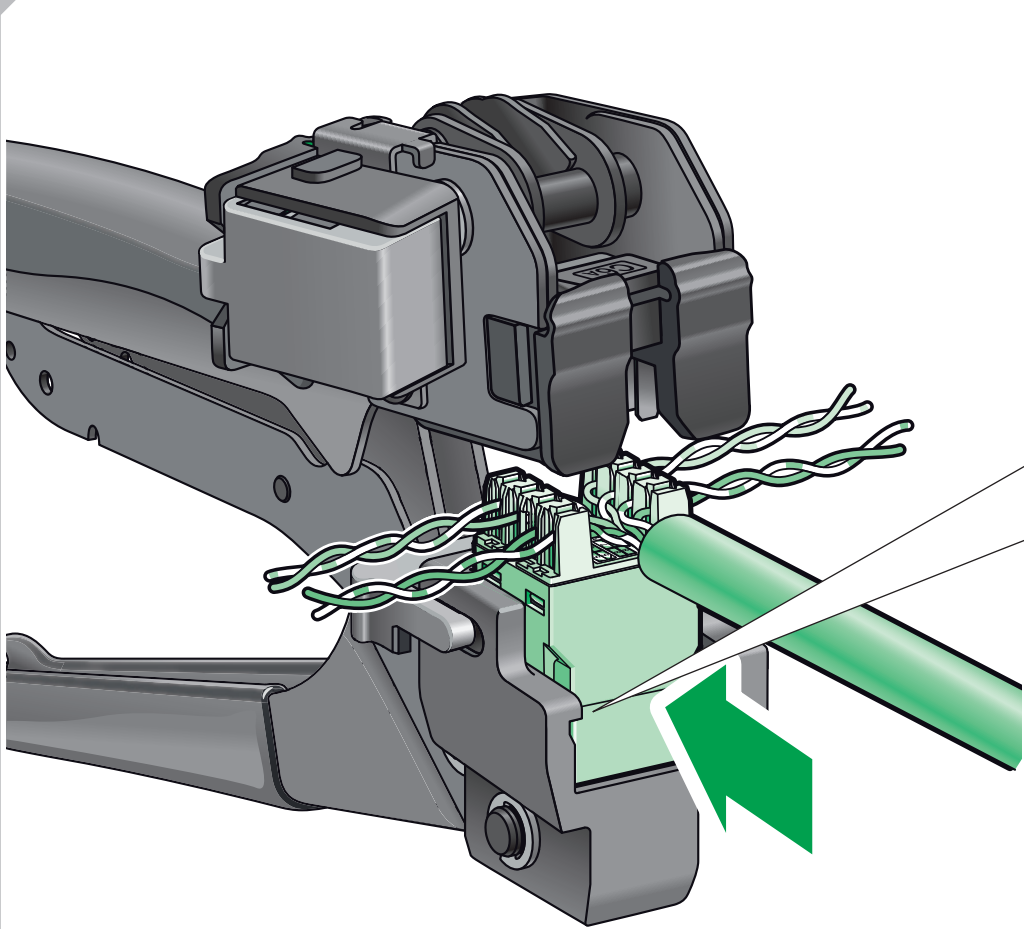


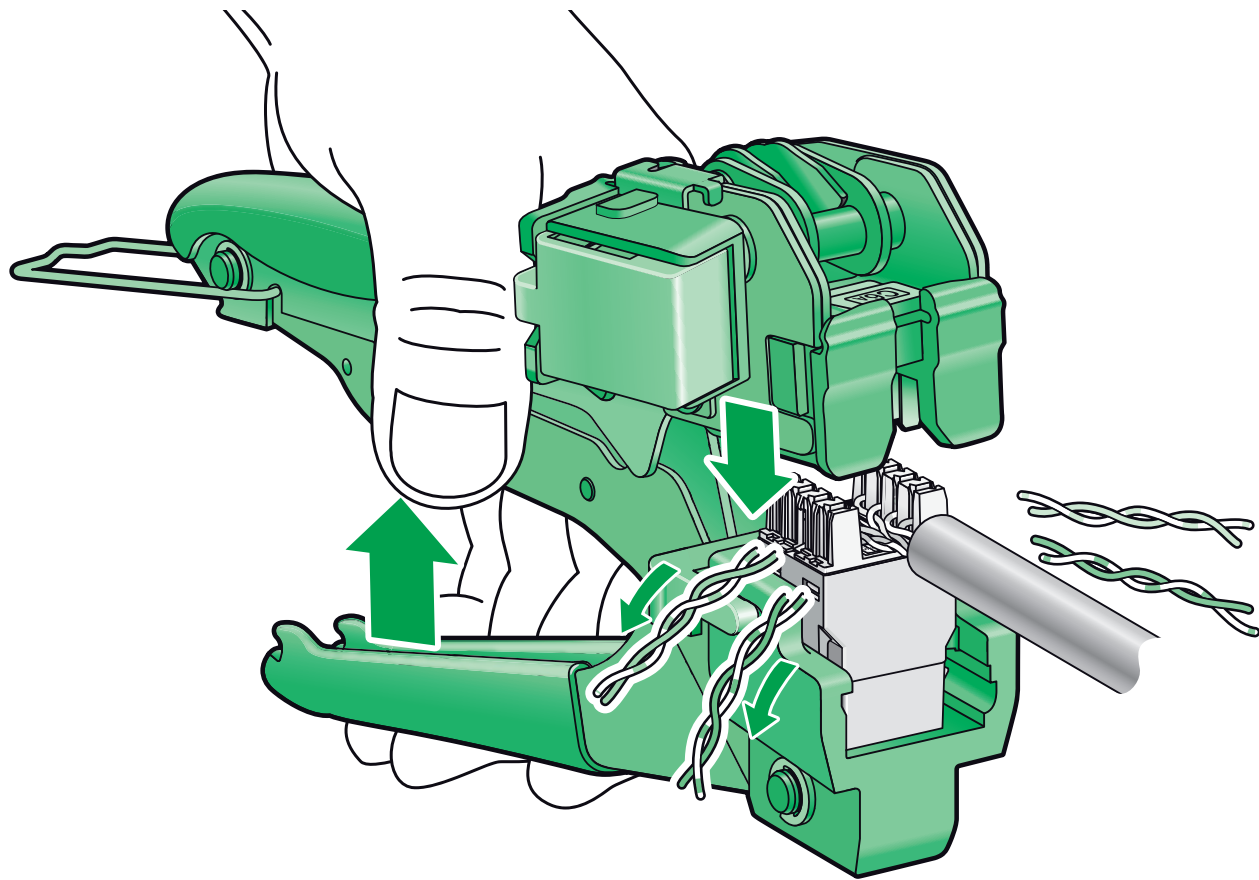
5

### Dismount the cutting module

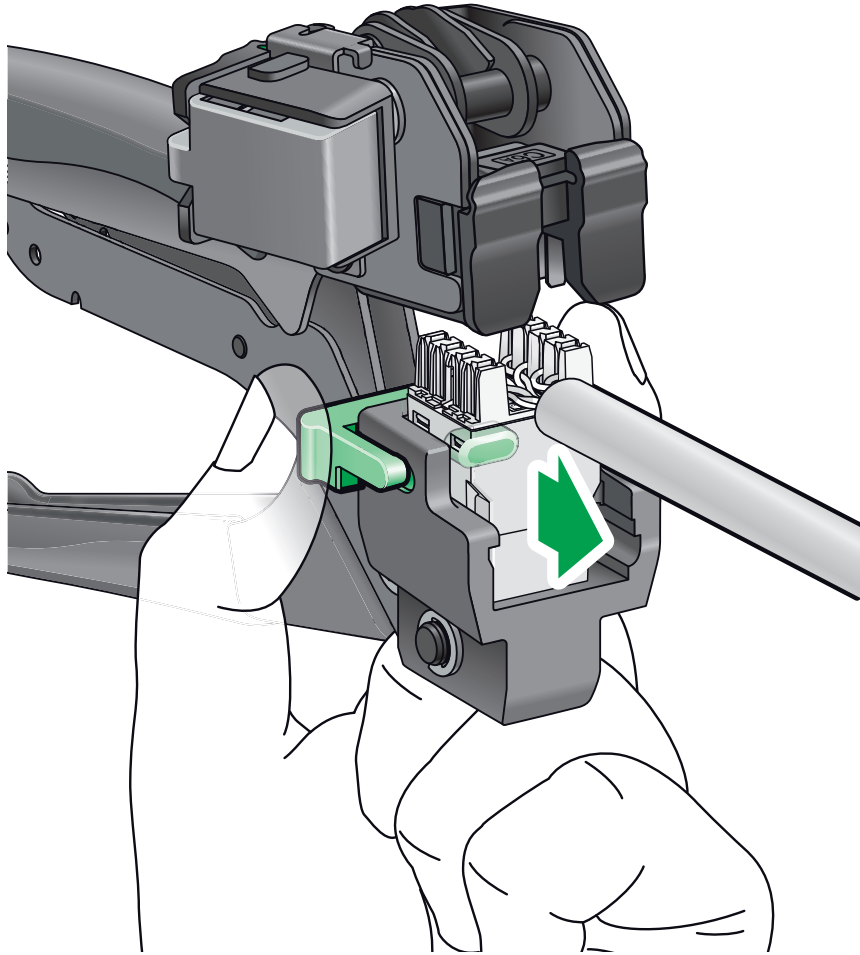


6





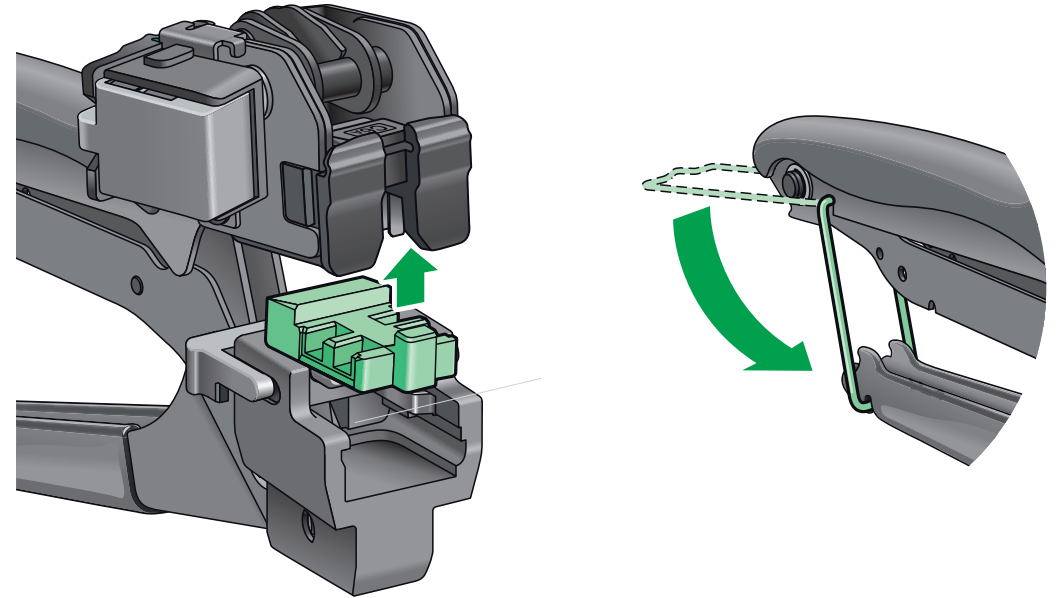
8



## CAUTION

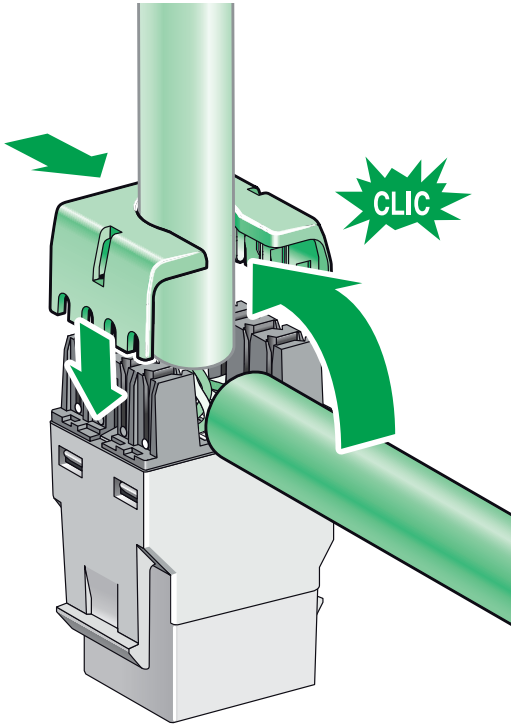
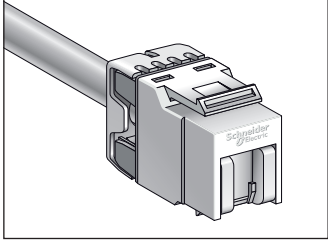
### RISK OF HAND INJURY

- Tool has parts that can pinch/cut.
- Keep hands and fingers clear use protective cap and close the tool

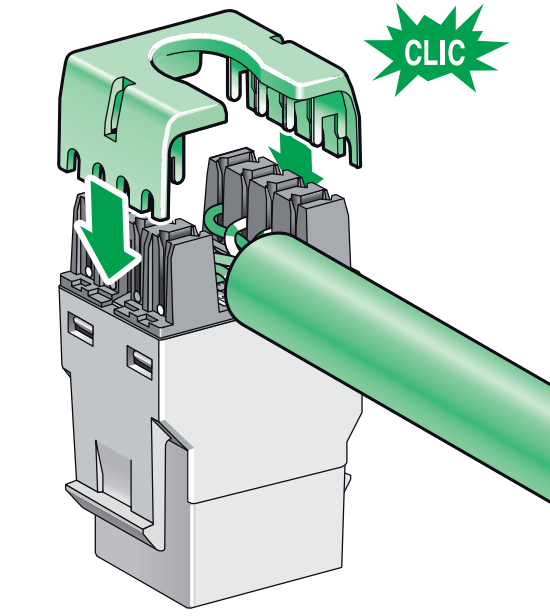
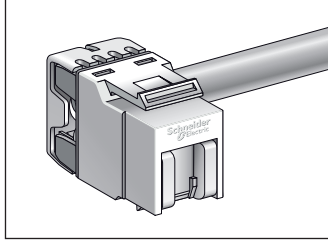


**Failure to follow these instructions  
may result in injury**

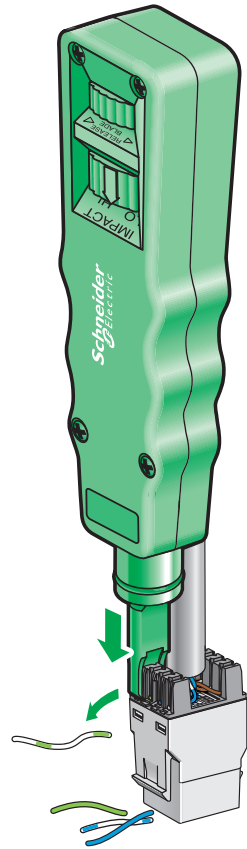
**Connector wiring**  
**Axial cable exit**



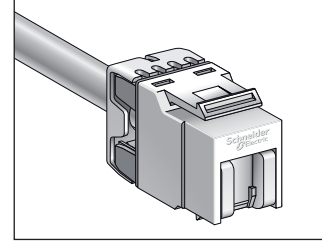
**Connector wiring**  
**Radial cable exit**



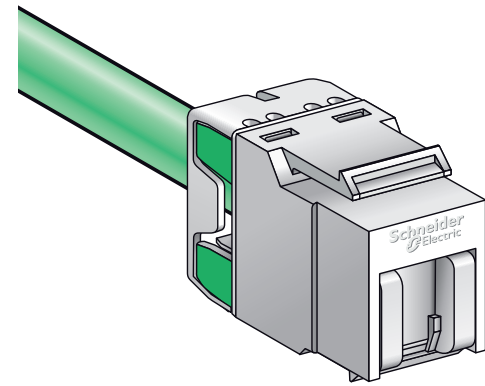
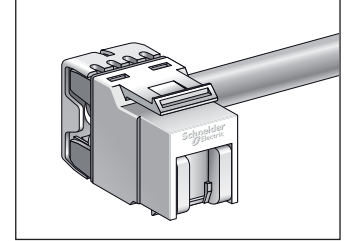
# With punch down tool



Connector wiring  
Axial cable exit

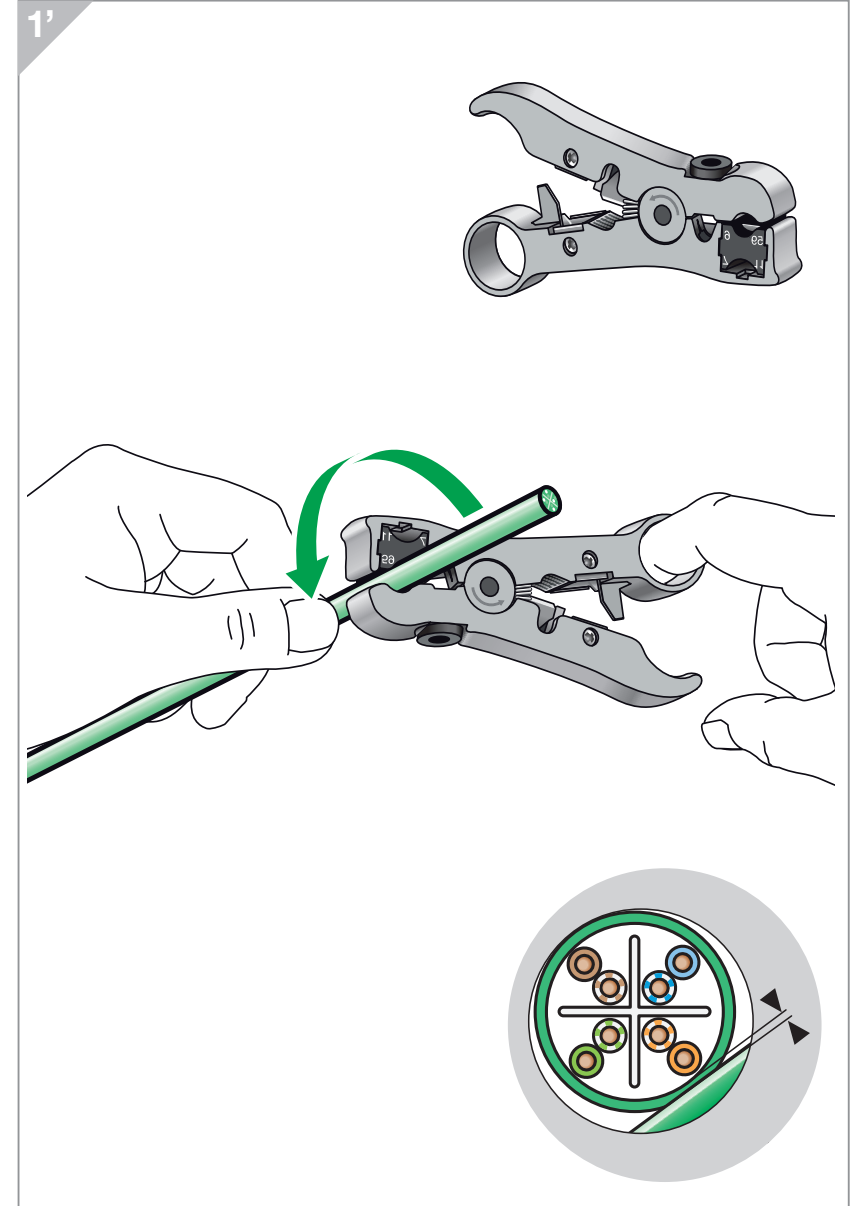
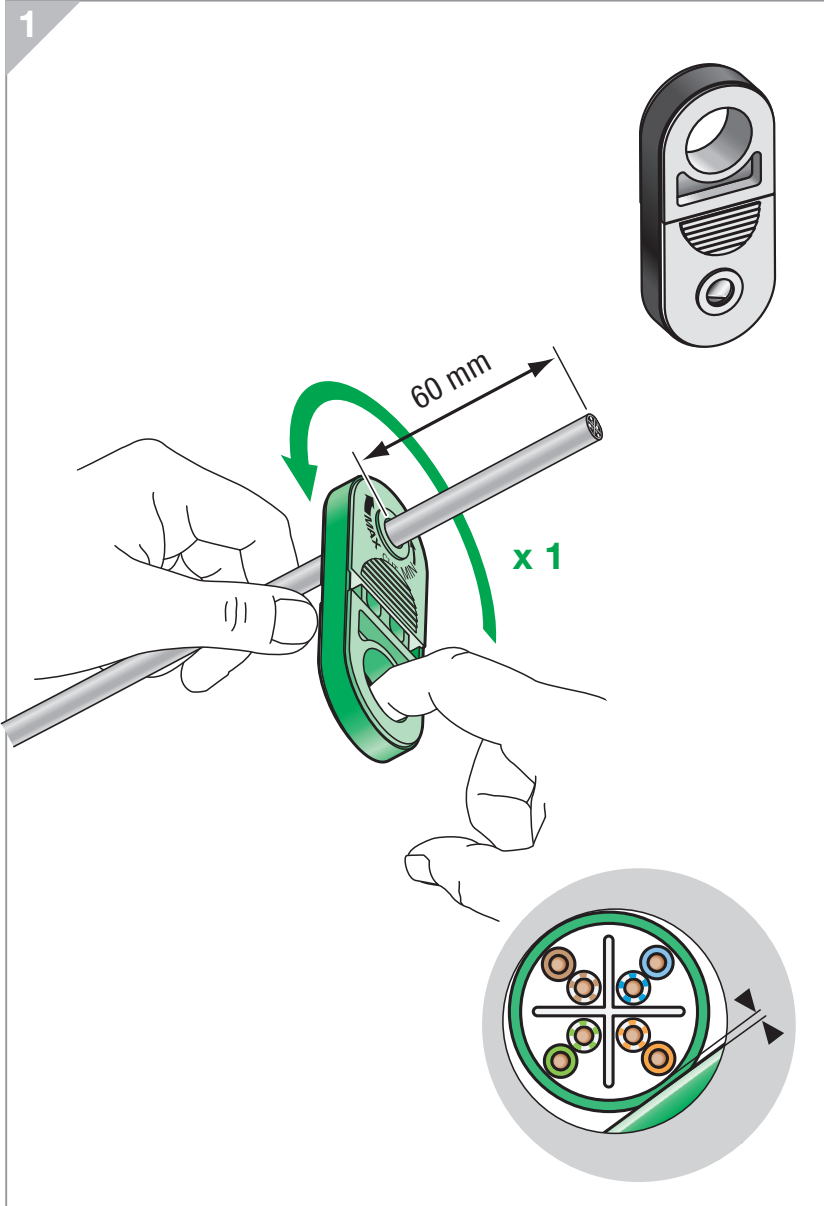
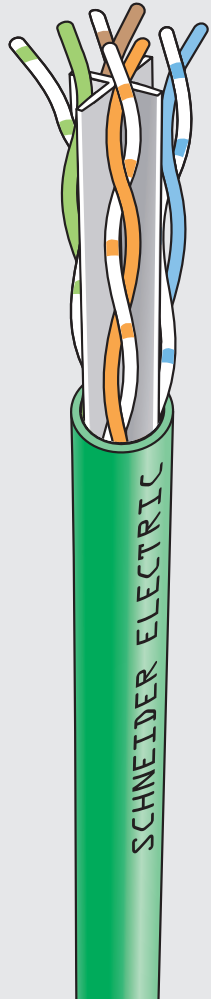


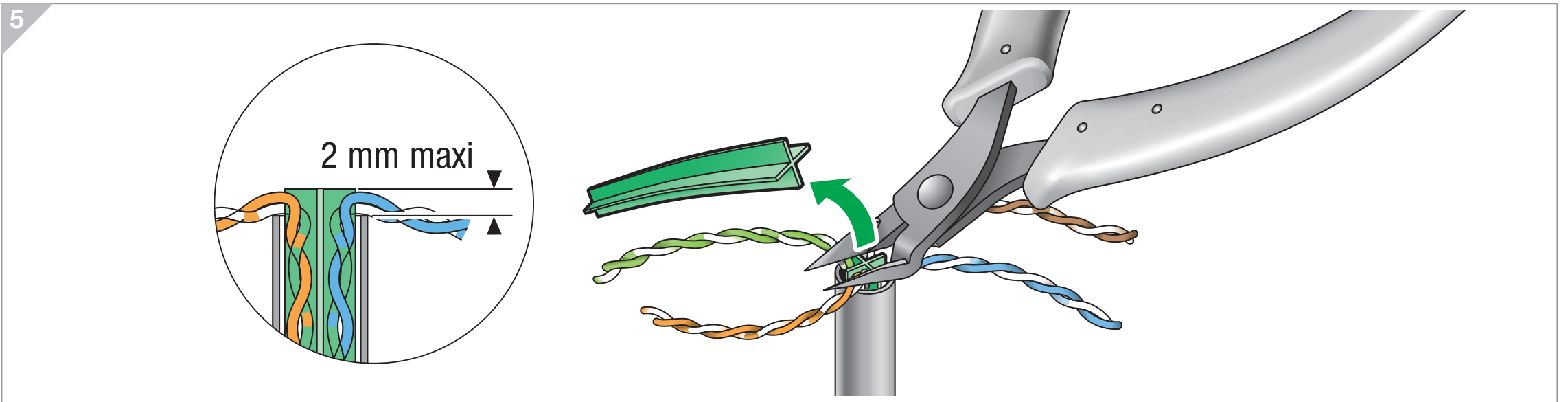
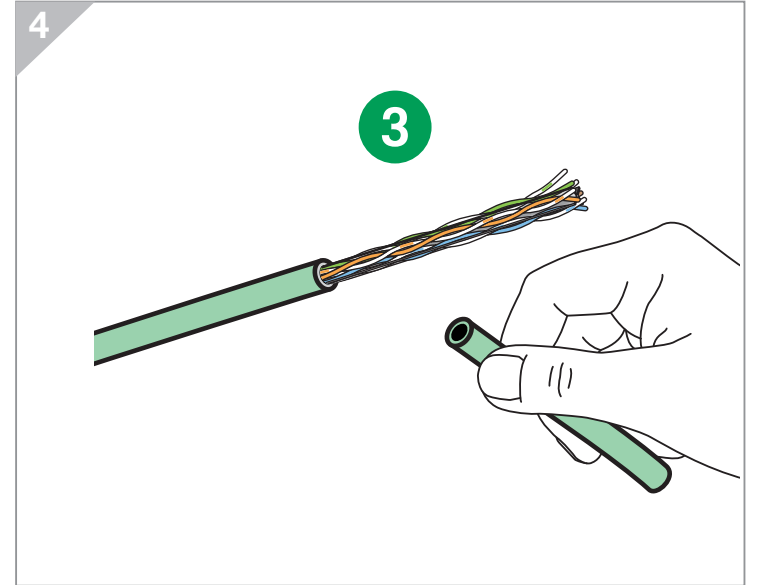
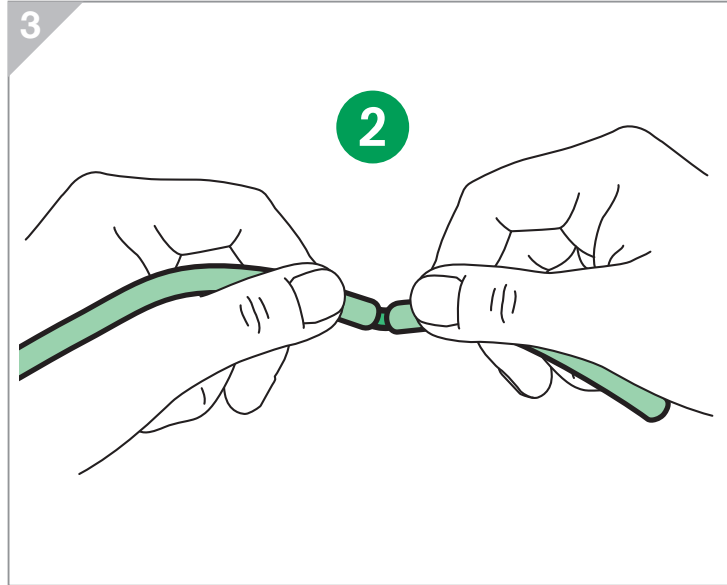
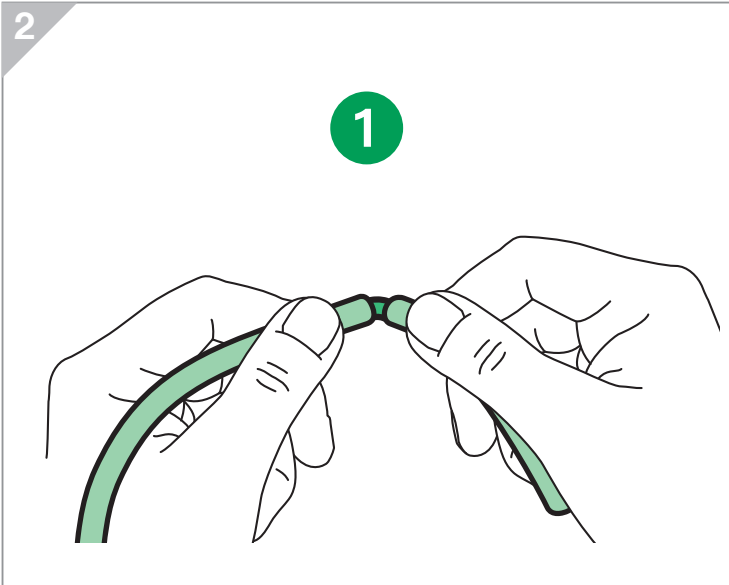
Connector wiring  
Radial cable exit





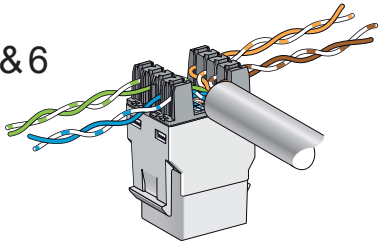
A



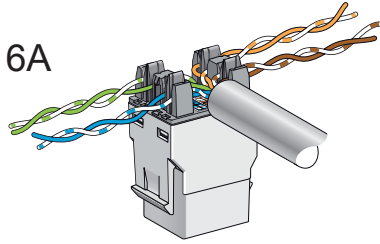


# B Convention B

Cat 5e & 6

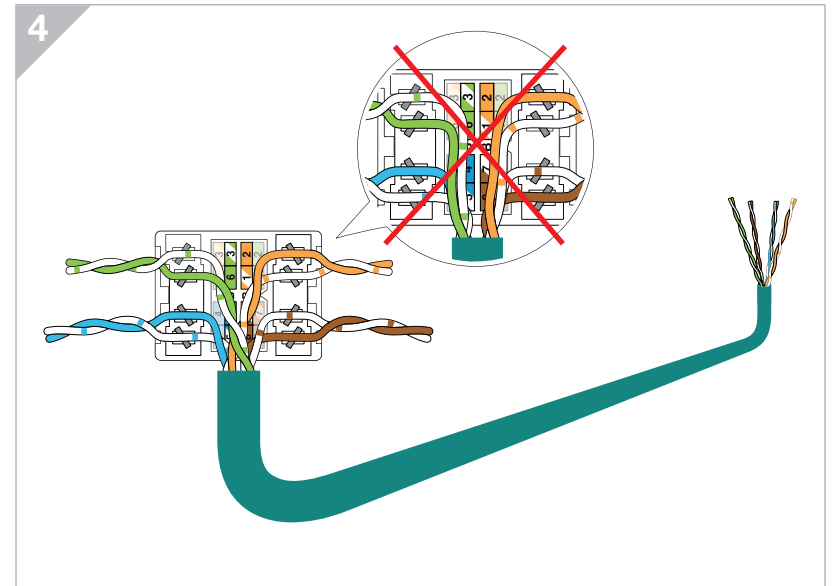
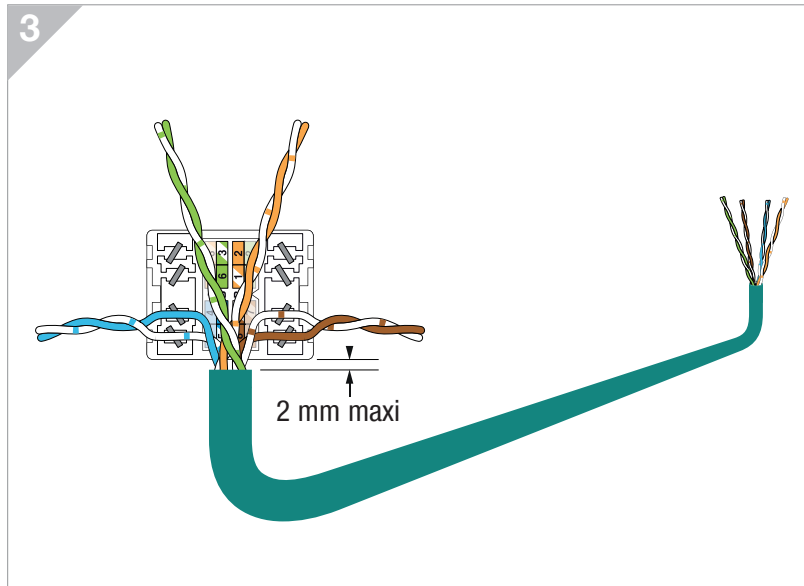
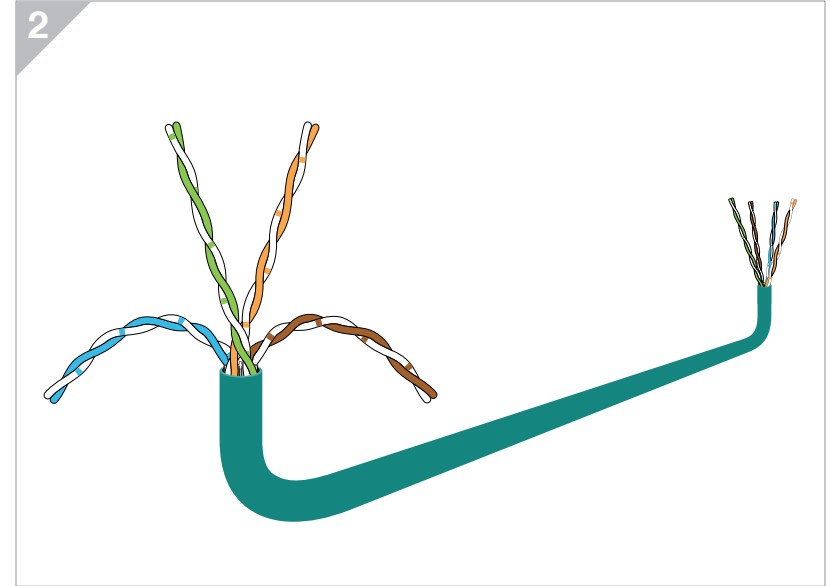
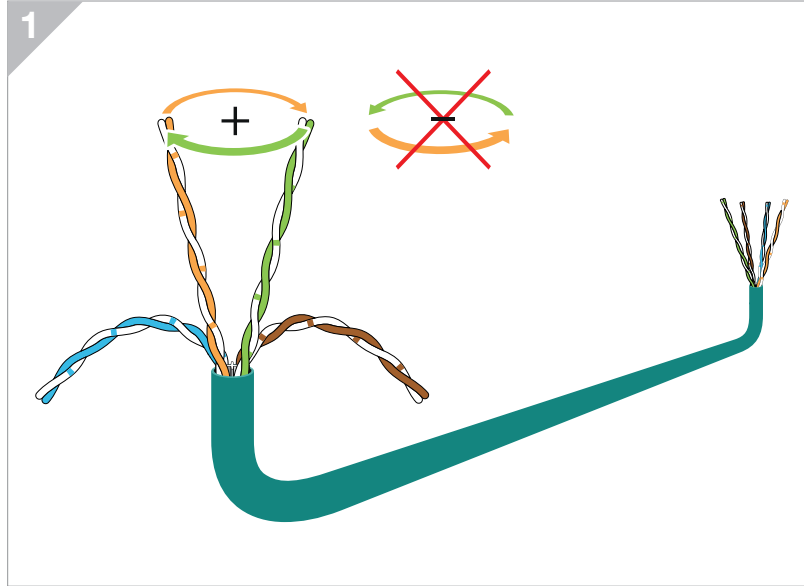


Cat 6A



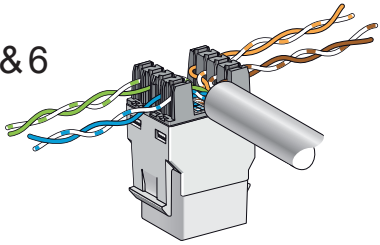
EIA-TIA 568B (100Ω)

3	3	2	2
6	6	1	1
A	B	B	A
4	4	7	7
5	5	8	8

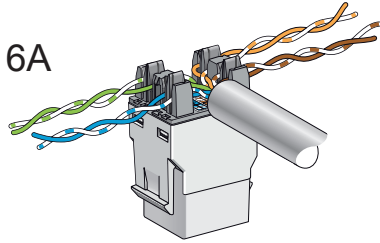


# B Convention B

Cat 5e & 6

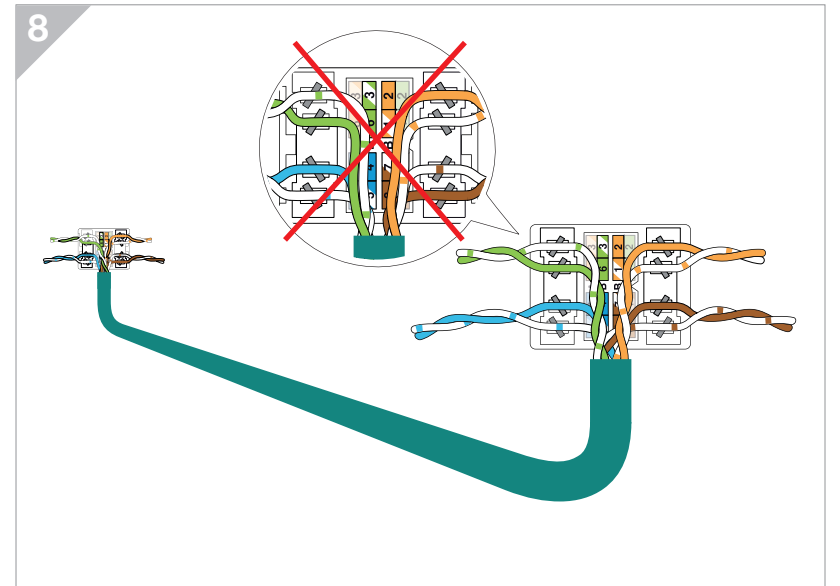
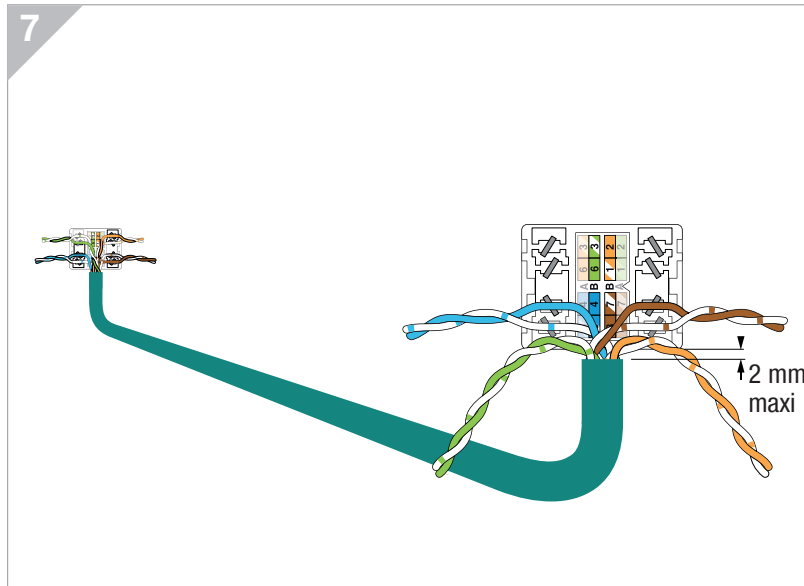
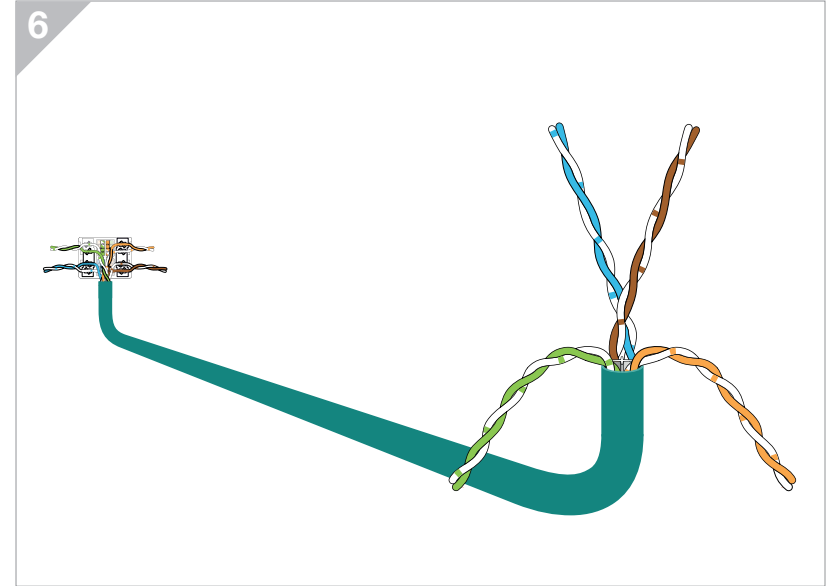
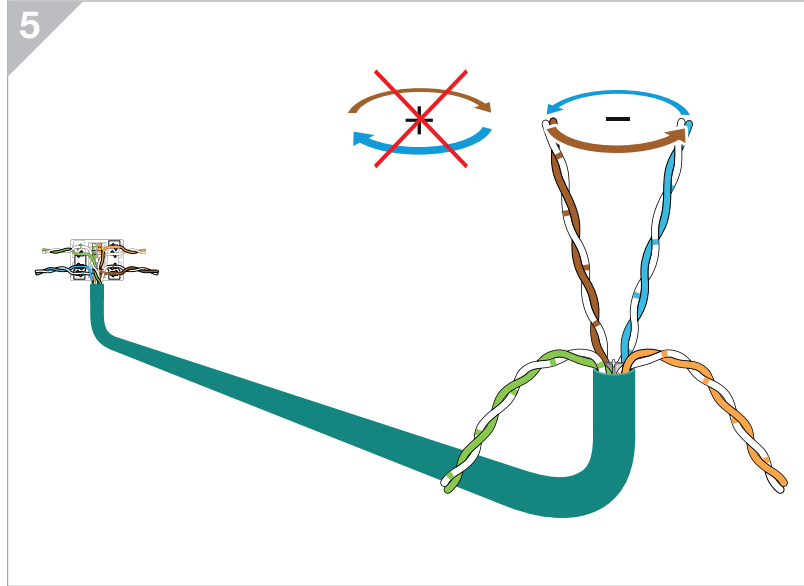


Cat 6A



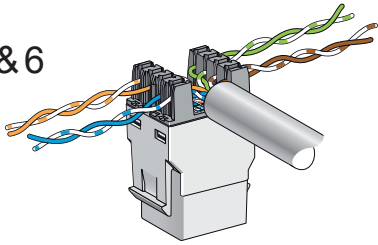
EIA-TIA 568B (100Ω)

3	3	2	2
6	6	1	1
A	B	B	A
4	4	7	7
5	5	8	8

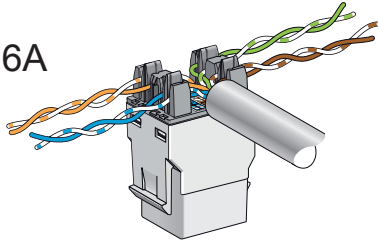


# B Convention A

Cat 5e & 6

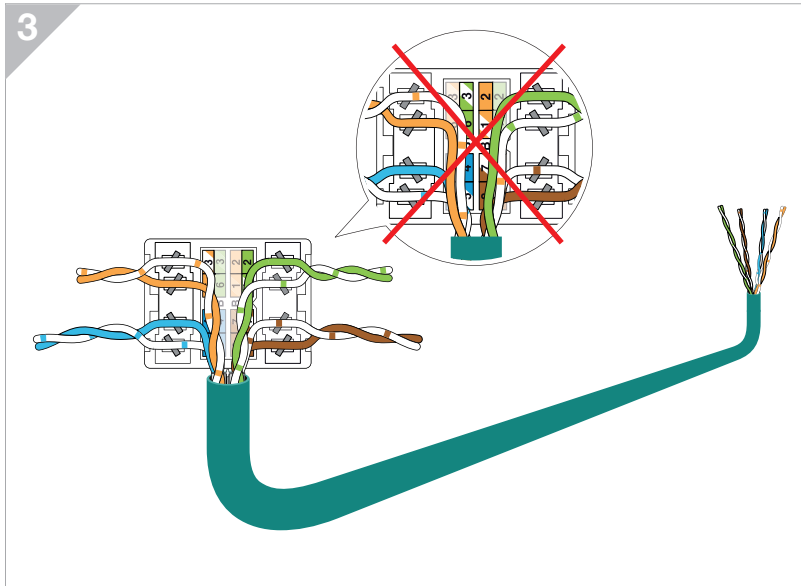
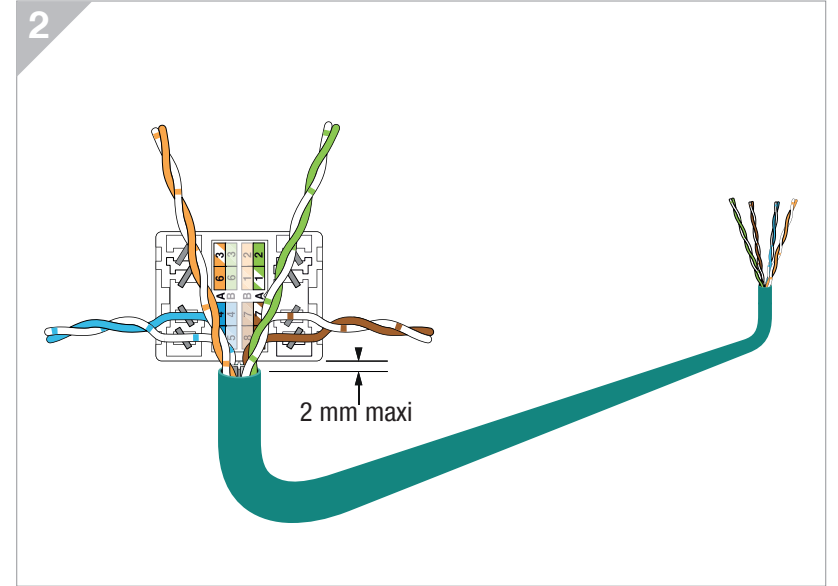
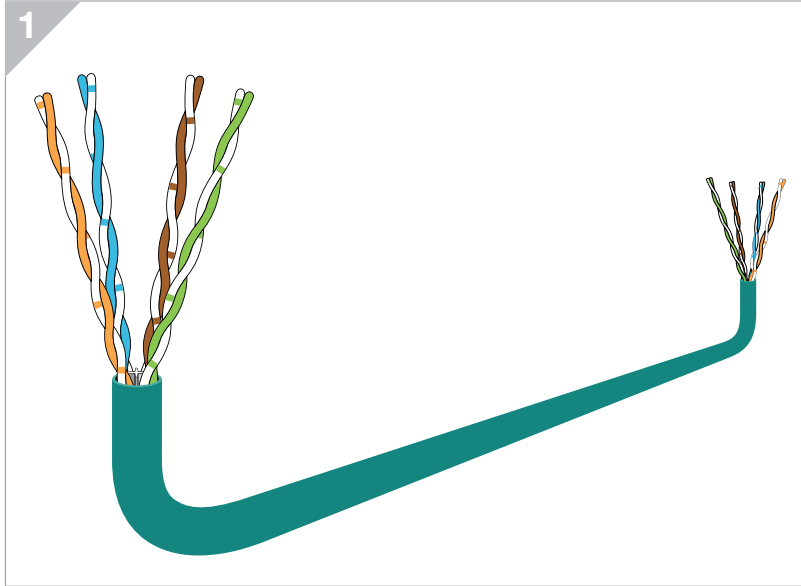


Cat 6A



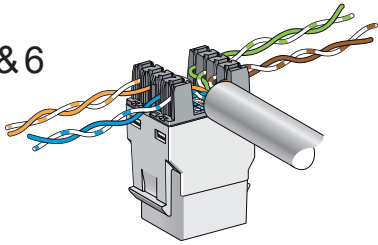
EIA-TIA 568A (100Ω)

5	4	A	6	3
5	4	B	6	3
8	7	B	1	2
8	7	A	1	2

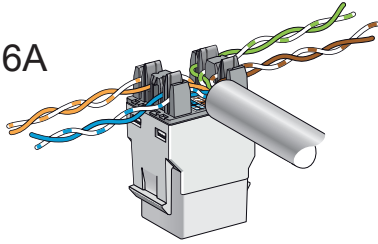


# B Convention A

Cat 5e & 6

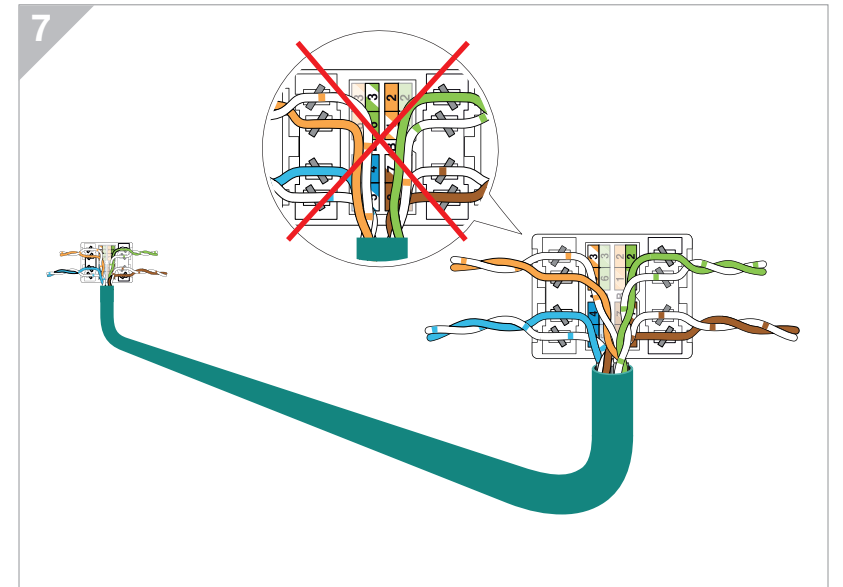
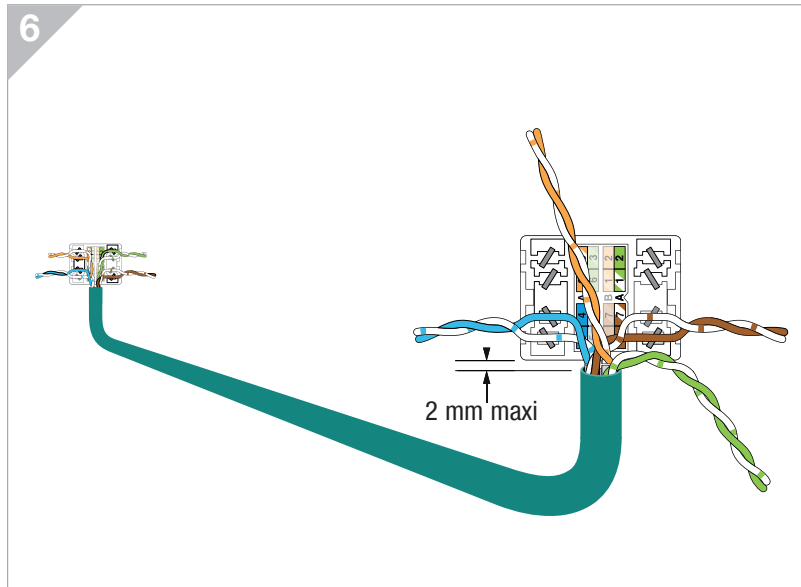
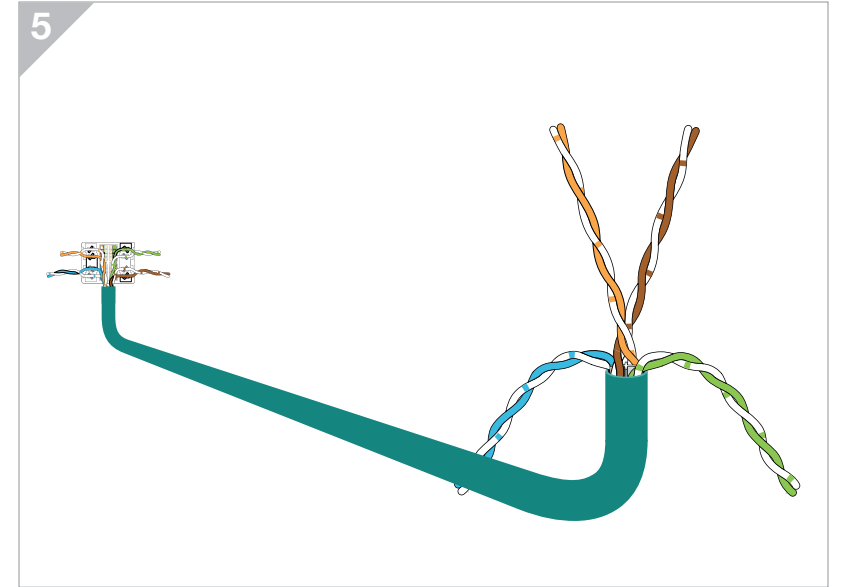
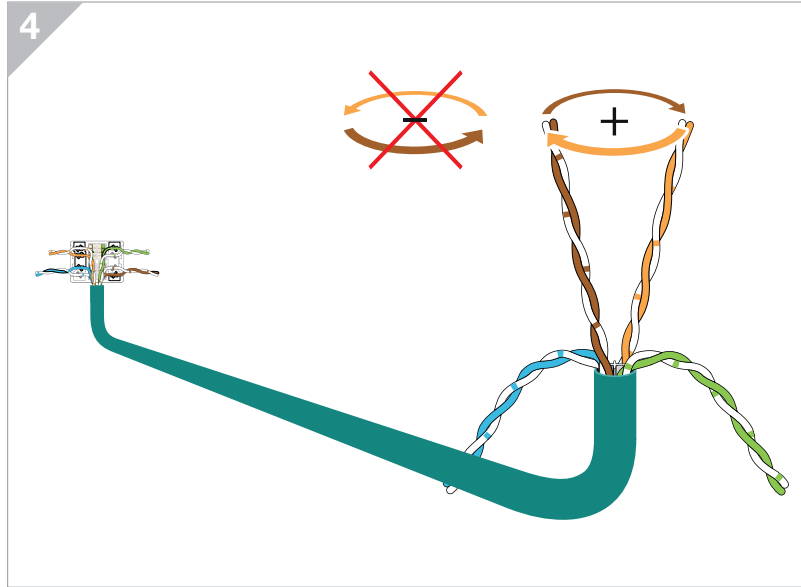


Cat 6A



EIA-TIA 568A (100Ω)

5	4	A	6	3	B	6	3
8	7	B	1	2	A	1	2
8	7	A	1	2	B	1	2





x1

Ref. ACTTRJ45PDT

## CAUTION

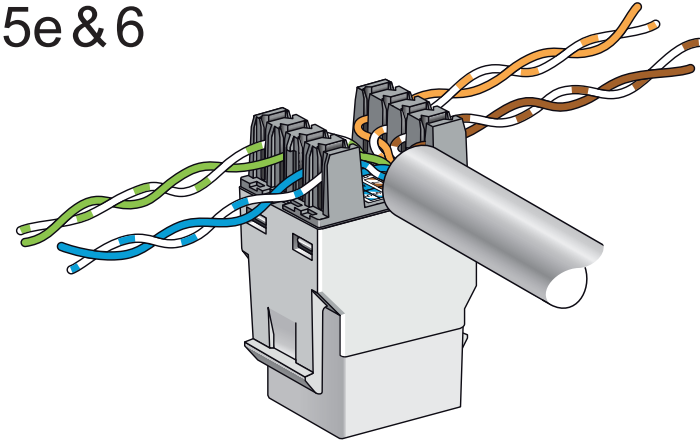
### RISK OF HAND INJURY

- This product must be connected with punch tool ACTTRJ45PDT
- Do not hold the RJ45 in hand during connection
- This product must be installed, connected and used in compliance with prevailing standard and/or installation regulations

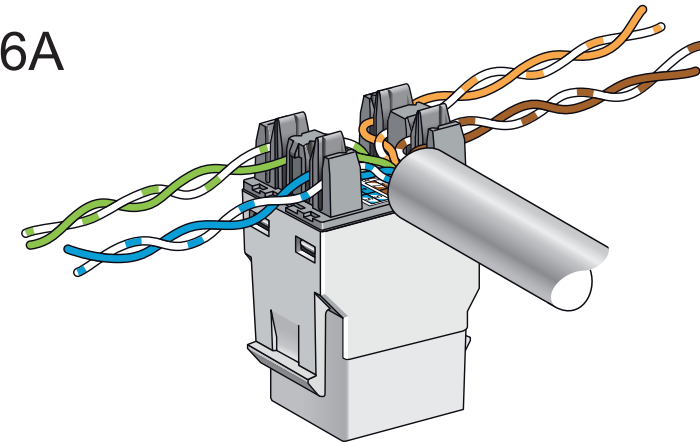
**Failure to follow these instructions may result in injury**

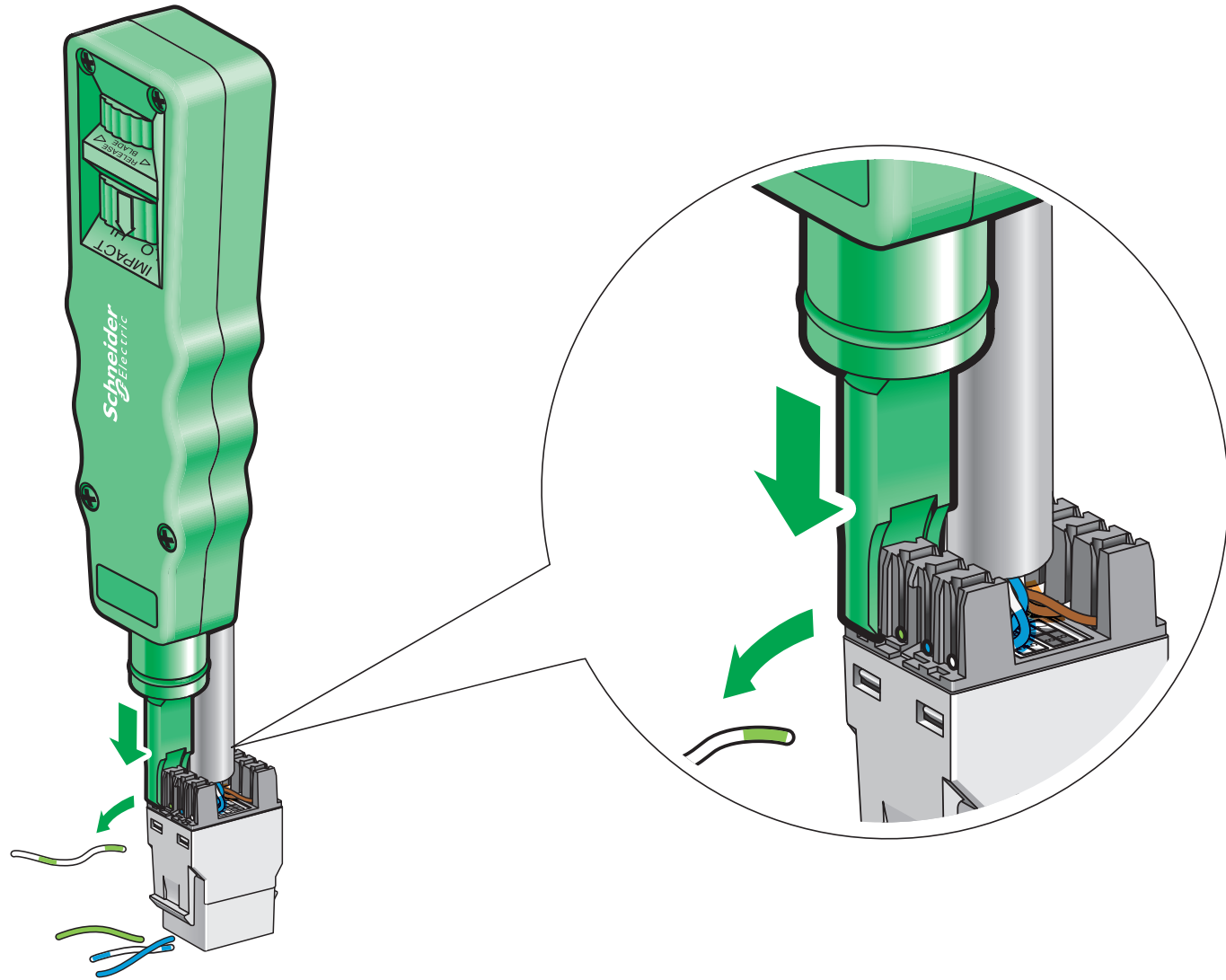
1

### Cat 5e & 6



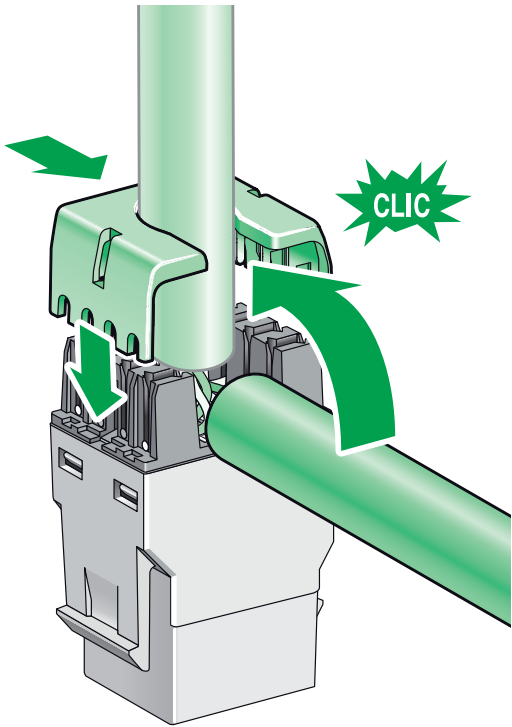
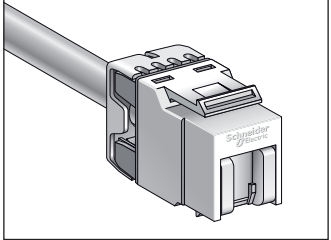
### Cat 6A







Connector wiring  
Axial cable exit



Connector wiring  
Radial cable exit

