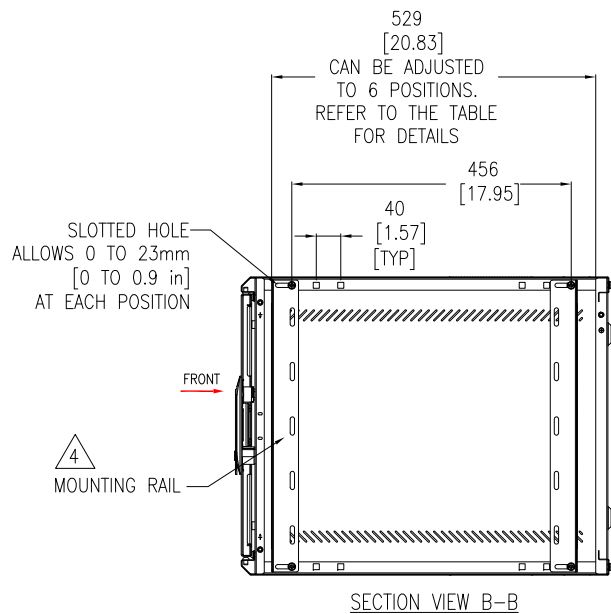


- NOTES:**
1. INSTALLATION SHALL COMPLY WITH ALL APPLICABLE NATIONAL, STATE AND LOCAL ELECTRICAL REGULATIONS.
 2. REFER TO PRODUCT DOCUMENTATION FOR ADDITIONAL DETAILS PRIOR TO INSTALLATION AND SITE PREPARATION WORK.
 3. ALL DIMENSIONS ARE IN MILLIMETERS [INCHES].
 4. NET WEIGHT OF UNIT IS 16.7g [36.8 lb].
 5. CABLE ENTRY IS TOP OR BOTTOM OF THE UNIT.
 6. FRONT SERVICE ACCESS REQUIRED.
 7. AIR FLOW AND SERVICE REQUIREMENTS, AS WELL AS MINIMUM CLEARANCE TO FIRE SUPPRESSION SYSTEMS SHOULD BE CONSIDERED WHEN LOCATING THE ENCLOSURE.

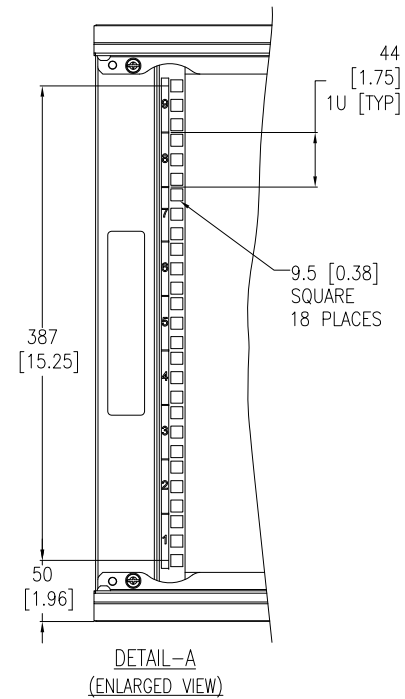
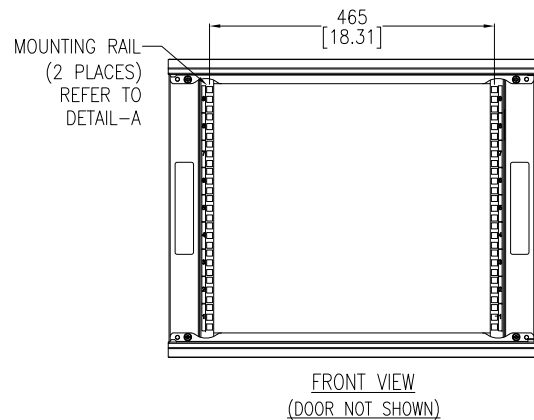
THIS DRAWING AND SPECIFICATIONS HEREIN ARE THE PROPERTY OF SCHNEIDER ELECTRIC AND SHALL NOT BE COPIED, REPRODUCED OR USED IN WHOLE OR IN PART, AS THE BASIS FOR THE MANUFACTURE OR SALE OF ITEMS WITHOUT WRITTEN PERMISSION FROM SCHNEIDER ELECTRIC. THIS DRAWING IS BASED UPON LATEST AVAILABLE INFORMATION AND IS SUBJECT TO CHANGE WITHOUT NOTICE.		TITLE: NetShelter WX 9U 600mm WIDE x 600mm DEEP SINGLE HINGED WALL-MOUNT ENCLOSURE GENERAL ARRANGEMENT	DWG NO: AR109SH6	REV: 0	
		PROJECT: SUBMITTAL DRAWINGS SHEET 1 OF 2	DRAWN BY: JAYAPRAKASH	17-SEP-19	FIRST ANGLE PROJECTION
		ENGINEER: RAGHUGOWDA	18-SEP-19	APPROVED BY: DANIEL GOSSELIN	18-SEP-19



*POSITION	DIMENSION IN mm [Inch]
1	529 [20.8]
2	489 [19.3]
3	449 [17.7]
4	153 [6.0]
5	113 [4.4]
6	73 [2.9]

*POSITION DIMENSIONS IN THE TABLE ARE FROM THE FRONT (MAXIMUM) OF THE CABINET TO THE BACK (MINIMUM).

SECTION VIEW B-B



- NOTES:
1. INSTALLATION SHALL COMPLY WITH ALL APPLICABLE NATIONAL, STATE AND LOCAL ELECTRICAL REGULATIONS.
 2. REFER TO PRODUCT DOCUMENTATION FOR ADDITIONAL DETAILS PRIOR TO INSTALLATION AND SITE PREPARATION WORK.
 3. ALL DIMENSIONS ARE IN MILLIMETERS [INCHES].
 - △ 4. UNIT CONTAINS 2 PAIRS OF MOUNTING RAILS.

THIS DRAWING AND SPECIFICATIONS HEREIN ARE THE PROPERTY OF SCHNEIDER ELECTRIC AND SHALL NOT BE COPIED, REPRODUCED OR USED IN WHOLE OR IN PART, AS THE BASIS FOR THE MANUFACTURE OR SALE OF ITEMS WITHOUT WRITTEN PERMISSION FROM SCHNEIDER ELECTRIC. THIS DRAWING IS BASED UPON LATEST AVAILABLE INFORMATION AND IS SUBJECT TO CHANGE WITHOUT NOTICE.

Schneider Electric

TITLE: NetShelter WX 9U
600mm WIDE x 600mm DEEP
SINGLE HINGED WALL-MOUNT ENCLOSURE
INTERNAL & SECTION VIEW

DWG NO: AR109SH6 REV. 0

DRAWN BY: JAYAPRAKASH	17-SEP-19	FIRST ANGLE PROJECTION
ENGINEER: RAGHUGOWDA	18-SEP-19	
APPROVED BY: DANIEL GOSSELIN	18-SEP-19	

PROJECT: SUBMITTAL DRAWINGS SHEET 2 OF 2