

NOTES:

1. INSTALLATION SHALL COMPLY WITH ALL APPLICABLE NATIONAL, STATE AND LOCAL ELECTRICAL REGULATIONS.
2. REFER TO PRODUCT DOCUMENTATION FOR ADDITIONAL DETAILS PRIOR TO INSTALLATION AND SITE PREPARATION WORK.
3. ALL DIMENSIONS ARE IN MILLIMETERS [INCHES].
4. NET WEIGHT OF UNIT IS 19.2kg [42.3 lb].
5. CABLE ENTRY IS TOP OR BOTTOM OF THE UNIT.
6. FRONT SERVICE ACCESS REQUIRED.
7. AIR FLOW AND SERVICE REQUIREMENTS, AS WELL AS MINIMUM CLEARANCE TO FIRE SUPPRESSION SYSTEMS SHOULD BE CONSIDERED WHEN LOCATING THE ENCLOSURE.

THIS DRAWING AND SPECIFICATIONS HEREIN ARE THE PROPERTY OF SCHNEIDER ELECTRIC AND SHALL NOT BE COPIED, REPRODUCED OR USED IN WHOLE OR IN PART, AS THE BASIS FOR THE MANUFACTURE OR SALE OF ITEMS WITHOUT WRITTEN PERMISSION FROM SCHNEIDER ELECTRIC. THIS DRAWING IS BASED UPON LATEST AVAILABLE INFORMATION AND IS SUBJECT TO CHANGE WITHOUT NOTICE.

Schneider Electric

TITLE: NetShelter WX 12U
600mm WIDE x 600mm DEEP
SINGLE HINGED WALL-MOUNT ENCLOSURE
GENERAL ARRANGEMENT

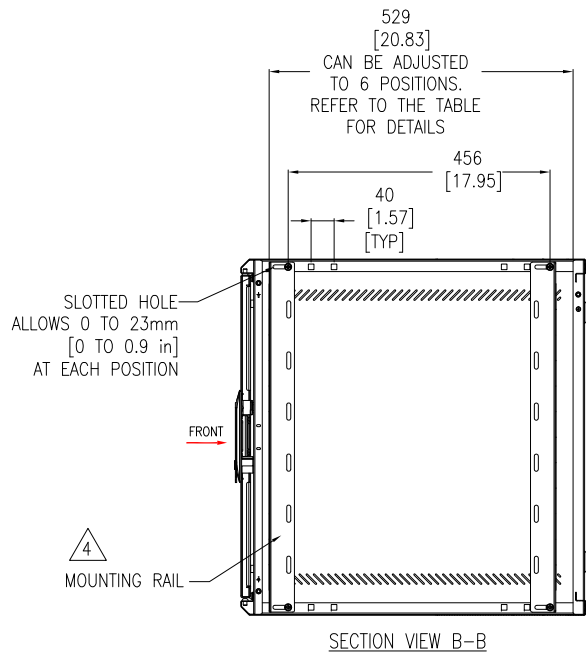
PROJECT: SUBMITTAL DRAWINGS SHEET 1 OF 2

DWG NO: AR112SH6 REV. 0

DRAWN BY: JAYAPRAKASH 17-SEP-19 FIRST ANGLE

ENGINEER: RAGHUGOWDA 18-SEP-19 PROJECTION

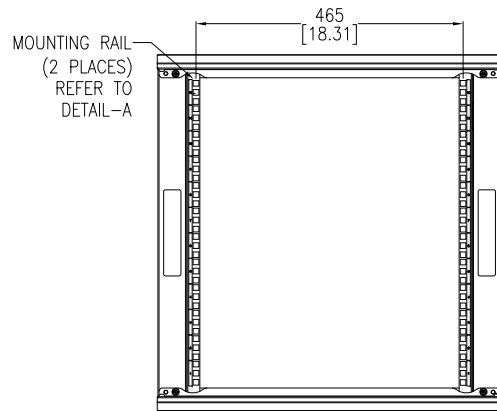
APPROVED BY: DANIEL GOSSELIN 18-SEP-19



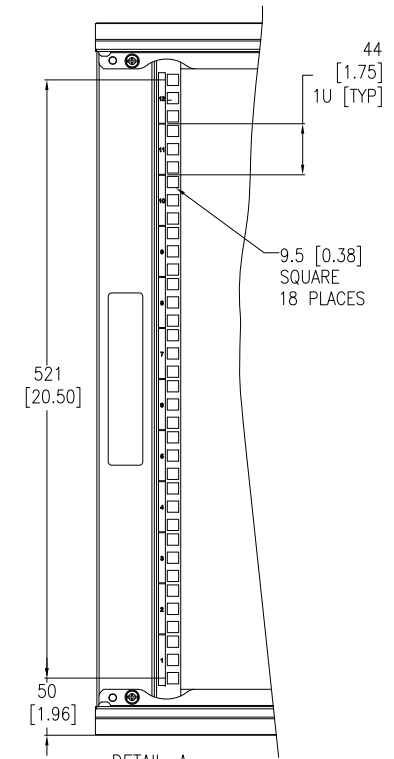
*POSITION	DIMENSION IN mm [Inch]
1	529 [20.8]
2	489 [19.3]
3	449 [17.7]
4	153 [6.0]
5	113 [4.4]
6	73 [2.9]

*POSITION DIMENSIONS IN THE TABLE ARE FROM THE FRONT (MAXIMUM) OF THE CABINET TO THE BACK (MINIMUM).

SECTION VIEW B-B



FRONT VIEW
(DOOR NOT SHOWN)



DETAIL-A
(ENLARGED VIEW)

- NOTES:
1. INSTALLATION SHALL COMPLY WITH ALL APPLICABLE NATIONAL, STATE AND LOCAL ELECTRICAL REGULATIONS.
 2. REFER TO PRODUCT DOCUMENTATION FOR ADDITIONAL DETAILS PRIOR TO INSTALLATION AND SITE PREPARATION WORK.
 3. ALL DIMENSIONS ARE IN MILLIMETERS [INCHES].
 - △ 4. UNIT CONTAINS 2 PAIRS OF MOUNTING RAILS.

THIS DRAWING AND SPECIFICATIONS HEREIN ARE THE PROPERTY OF SCHNEIDER ELECTRIC AND SHALL NOT BE COPIED, REPRODUCED OR USED IN WHOLE OR IN PART, AS THE BASIS FOR THE MANUFACTURE OR SALE OF ITEMS WITHOUT WRITTEN PERMISSION FROM SCHNEIDER ELECTRIC. THIS DRAWING IS BASED UPON LATEST AVAILABLE INFORMATION AND IS SUBJECT TO CHANGE WITHOUT NOTICE.

Schneider Electric

TITLE: NetShelter WX 12U
600mm WIDE x 600mm DEEP
SINGLE HINGED WALL-MOUNT ENCLOSURE
INTERNAL & SECTION VIEW

DWG NO: AR112SH6 REV. 0

DRAWN BY: JAYAPRAKASH 17-SEP-19 FIRST

ENGINEER: RAGHUGOWDA 18-SEP-19 ANGLE

PROJECT: SUBMITTAL DRAWINGS SHEET 2 OF 2 APPROVED BY: DANIEL GOSSELIN 18-SEP-19 PROJECTION