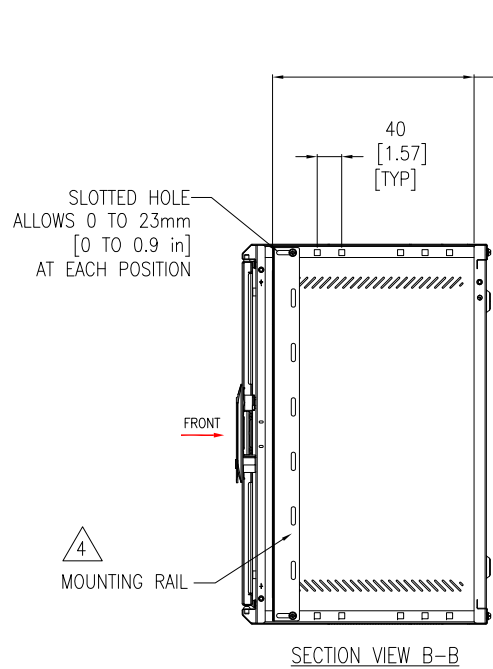


- NOTES:**
1. INSTALLATION SHALL COMPLY WITH ALL APPLICABLE NATIONAL, STATE AND LOCAL ELECTRICAL REGULATIONS.
  2. REFER TO PRODUCT DOCUMENTATION FOR ADDITIONAL DETAILS PRIOR TO INSTALLATION AND SITE PREPARATION WORK.
  3. ALL DIMENSIONS ARE IN MILLIMETERS [INCHES].
  4. NET WEIGHT OF UNIT IS 14.9kg [32.8 lb].
  5. CABLE ENTRY IS TOP OR BOTTOM OF THE UNIT.
  6. FRONT SERVICE ACCESS REQUIRED.
  7. AIR FLOW AND SERVICE REQUIREMENTS, AS WELL AS MINIMUM CLEARANCE TO FIRE SUPPRESSION SYSTEMS SHOULD BE CONSIDERED WHEN LOCATING THE ENCLOSURE.

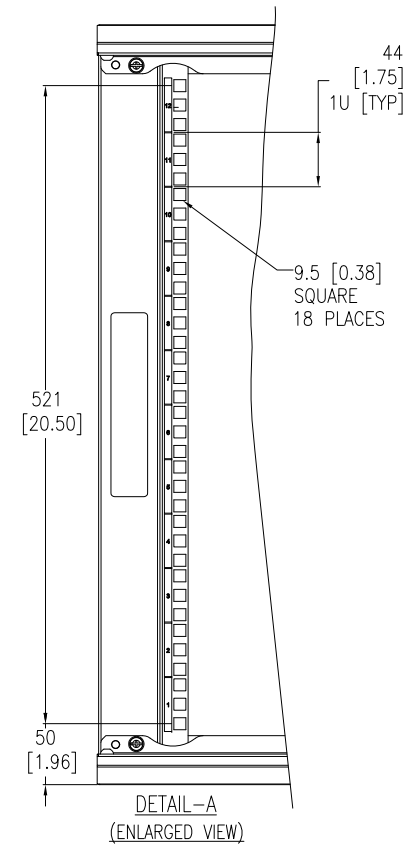
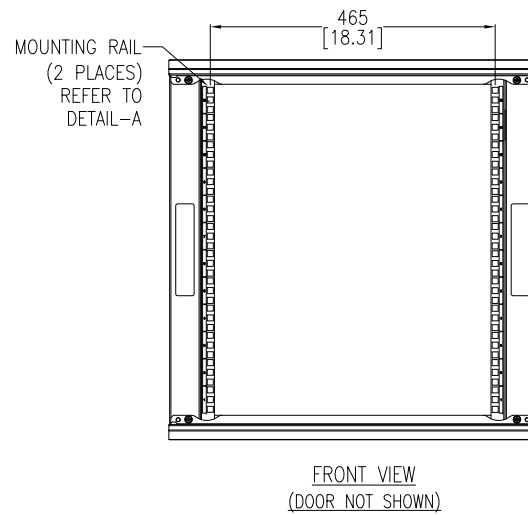
THIS DRAWING AND SPECIFICATIONS HEREIN ARE THE PROPERTY OF SCHNEIDER ELECTRIC AND SHALL NOT BE COPIED, REPRODUCED OR USED IN WHOLE OR IN PART, AS THE BASIS FOR THE MANUFACTURE OR SALE OF ITEMS WITHOUT WRITTEN PERMISSION FROM SCHNEIDER ELECTRIC. THIS DRAWING IS BASED UPON LATEST AVAILABLE INFORMATION AND IS SUBJECT TO CHANGE WITHOUT NOTICE.		<b>TITLE:</b> NetShelter WX 12U 600mm WIDE x 400mm DEEP SINGLE HINGED WALL-MOUNT ENCLOSURE GENERAL ARRANGEMENT	<b>DWG NO:</b> AR112SH4	<b>REV:</b> 0		
		<b>PROJECT:</b> SUBMITTAL DRAWINGS	<b>SHEET:</b> 1 OF 2	<b>APPROVED BY:</b> DANIEL GOSSELIN	<b>DATE:</b> 18-SEP-19	<b>ANGLE:</b> FIRST
		<b>ENGINEER:</b> RAGHUGOWDA	<b>DATE:</b> 18-SEP-19	<b>ANGLE:</b> PROJECTION		



329  
[12.95]  
CAN BE ADJUSTED  
TO 6 POSITIONS.  
REFER TO THE TABLE  
FOR DETAILS

*POSITION	DIMENSION IN mm [Inch]
1	329 [13.0]
2	289 [11.4]
3	249 [9.8]
4	153 [6.0]
5	113 [4.4]
6	73 [2.9]

\*POSITION DIMENSIONS IN THE TABLE ARE FROM THE FRONT  
(MAXIMUM) OF THE CABINET TO THE BACK (MINIMUM).



- NOTES:
1. INSTALLATION SHALL COMPLY WITH ALL APPLICABLE NATIONAL, STATE AND LOCAL ELECTRICAL REGULATIONS.
  2. REFER TO PRODUCT DOCUMENTATION FOR ADDITIONAL DETAILS PRIOR TO INSTALLATION AND SITE PREPARATION WORK.
  3. ALL DIMENSIONS ARE IN MILLIMETERS [INCHES].
  - △ 4. UNIT CONTAINS 1 PAIR OF MOUNTING RAIL.

THIS DRAWING AND SPECIFICATIONS HEREIN ARE THE PROPERTY OF SCHNEIDER ELECTRIC AND SHALL NOT BE COPIED, REPRODUCED OR USED IN WHOLE OR IN PART, AS THE BASIS FOR THE MANUFACTURE OR SALE OF ITEMS WITHOUT WRITTEN PERMISSION FROM SCHNEIDER ELECTRIC. THIS DRAWING IS BASED UPON LATEST AVAILABLE INFORMATION AND IS SUBJECT TO CHANGE WITHOUT NOTICE.

**Schneider  
Electric**

TITLE: NetShelter WX 12U  
600mm WIDE x 400mm DEEP  
SINGLE HINGED WALL-MOUNT ENCLOSURE  
INTERNAL & SECTION VIEW

PROJECT: SUBMITTAL DRAWINGS SHEET 2 OF 2

DWG NO: AR112SH4 REV: 0

DRAWN BY: JAYAPRAKASH 17-SEP-19 FIRST ANGLE PROJECTION

ENGINEER: RAGHUGOWDA 18-SEP-19

APPROVED BY: DANIEL GOSSELIN 18-SEP-19