

# Product data sheet

## Characteristics

# EY56SOxxx

## Easy56™ Socket Outlets

### Ordering Details

Catalogue Number	Description
EY56SO310	Socket Outlet 3 Pin Flat, 250V 10A
EY56SO315	Socket Outlet 3 Pin Flat, 250V 15A
EY56SO332	Socket Outlet 3 Pin Round, 250V 32A
EY56SO420	Socket Outlet 4 Pin Round, 500V 20A
EY56SO432	Socket Outlet 4 Pin Round, 500V 32A
EY56SO520	Socket Outlet 5 Pin Round 500V 20A
EY56SO532	Socket Outlet 5 Pin Round 500V 32A



### Overview

Easy56 surface socket outlets by Schneider Electric have a modular 101 x 101mm design. The protective socket flap is spring loaded meaning there is less chance for water or dust ingress if operators forget to close the flap. This is further enhanced with a flap retention latch.

This modular range is available from 250V, 10A to 500V, 32A.

Easy56 surface socket outlets are also compatible with PDL 56 series accessories which provide further flexibility. This also means if other amperages or voltages are required, it is recommended to refer to the PDL 56 series range.

## Features

- Durable PVC bases with polycarbonate covers
- Spring loaded socket flap with securing latch for added safety coverage.
- 101mm x 101mm modular range
- IP66 Rated to IEC60529
- Stainless Steel (316 grade) cover mounting screws

## Specifications

Voltage Rating	250V, 500V options
Current Rating	10A, 15A, 20A, 32A
Dimensions	101 mm x 101 mm x 101 mm
Product weight	471g 216g for LE version
Ambient air temperature for operation	-25 to 75 degrees Celsius
IP Rating to IEC 60529	66
Standards	AS/NZS 3112 AS/NZS 3123

## Offer Sustainability

Sustainable offer status	Green Premium product
RoHS	Compliant
REACH	Compliant
Product environment profile	Available

## Applications

Commercial and Industrial environments both indoors and outdoors where protection from dust, water, UV and impact is important.

# Socket Configurations

---

### 3 Pin



10A 250V



15A 250V



32A 250V

### 5 Pin



20A 500V



32A 500V

### 4 Pin



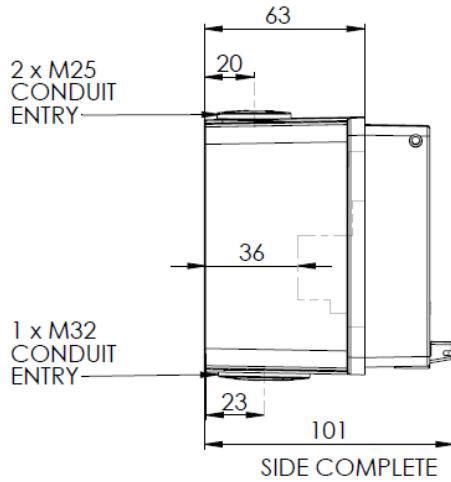
20A 500V



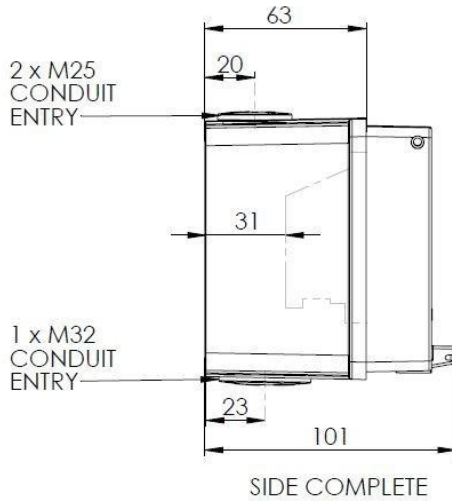
32A 500V

# Dimensions

EY56SO310  
EY56SO315



EY56SO420  
EY56SO520



EY56SO332  
EY56SO432  
EY56SO532

