

Product data sheet

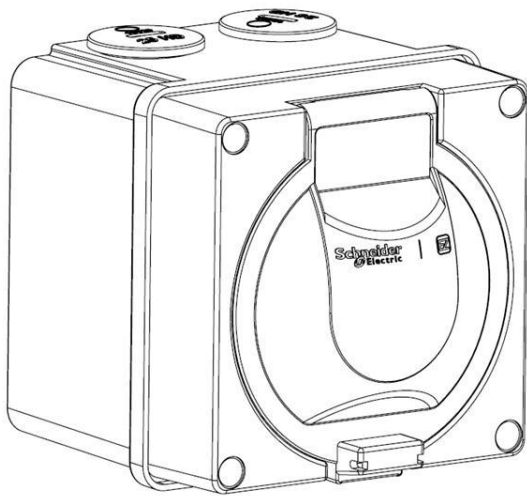
Characteristics

EY56AIxxx

Easy56™ Appliance Inlets

Ordering Details

Catalogue Number	Description
EY56AI310	Appliance Inlet 3 Pin Flat, 250V 10A



Overview

These Easy56 Appliance Inlets by Schneider Electric have a 101mm modular design, allowing installers to mix and match to one, two, three or four gang enclosures (bases).

Easy56 appliance inlets are 250V 10A. They feature a pin housing which enables extension socket plugs to be neatly connected. A screwed lock-ring is standard on all models to secure extension sockets and appliance connectors, and ensure IP66 integrity.

Easy56 Appliance Inlets are also compatible with PDL 56 series accessories which provide further flexibility. This means if other amperages or voltages are required, it is recommended to refer to the PDL 56 series range.

Features

- Hinged flap and latch to ensure IP66 rating
- Threaded pin surround to adapt to plug lock ring
- Transparent flap to identify pin configuration and sizing

Specifications

Voltage Rating	250V
Current Rating	10A
Dimensions	101 mm x 101 mm x 102 mm
Product weight	471g
Ambient air temperature for operation	-25 to 75 degrees Celsius
IP Rating to IEC 60529	66
Standards	AS/NZS 60320.1

Offer Sustainability

Sustainable offer status	Green Premium product
RoHS	Compliant
REACH	Compliant
Product environment profile	Available

Applications

Commercial and Industrial environments both indoors and outdoors where protection from dust, water, UV and impact is important.

Plug Configurations

3 Pin



10A 250V

Dimensions

EY56AI310

