

Ordering Details

Reference Number	Description
EY56C310	Combination Switched Socket, 3 Pin Flat 250V 10A
EY56C315	Combination Switched Socket, 3 Pin Flat 250V 15A
EY56C320	Combination Switched Socket, 3 Pin Round 250V 20A
EY56C332	Combination Switched Socket, 3 Pin Round 250V 32A
EY56C420	Combination Switched Socket, 4 Pin Round 500V 20A
EY56C432	Combination Switched Socket, 4 Pin Round 500V 32A
EY56C520	Combination Switched Socket, 5 Pin Round 500V 20A
EY56C532	Combination Switched Socket, 5 Pin Round 500V 32A



Overview

Easy56 combination switched sockets by Schneider Electric have a modular 101 x 201mm design that allows installers to mix and match covers on to two, three or four gang enclosures (bases). The two piece cover also means this modular range can have switches or sockets replaced separately during maintenance upgrades allowing increased affordability. These products are available from 250V, 10A to 500V, 32A.

ON and OFF positions are clearly marked lettering so they will never wear off. A provision for an 8mm padlock is provided for locking OFF

Overview

Easy56 combination switched sockets are compatible with PDL56 series accessories which provide further flexibility. This means if other amperages or voltages are required, it is recommended to refer to the PDL 56 series range.

Features

- Durable PVC bases with impact resistant polycarbonate covers
- Spring loaded socket flap with latch for added safety coverage.
- OFF & ON Laser etched product marking ensures product identification will never wear off.
- 101mm x 201mm modular range
- IP66 Rated to IEC60529
- Padlocking facility (8mm) in OFF position
- Stainless Steel (316 grade) cover mounting screws

Specifications

Voltage Rating	250V, 500V options
Current Rating	10A, 15A, 20A 32A
Dimensions	198 mm x101 mm x101 mm
Product weight	820g 680g for LE version
Ambient air temperature for operation	-25 to 75 degrees Celsius
IP Rating to IEC 60529	66
Standards	AS/NZS 3123 AS/NZS 3112 AS/NZS 3133

Offer Sustainability

Sustainable offer status	Green Premium product
RoHS	Compliant
REACH	Compliant
Product environment profile	Available

Applications

Commercial and Industrial environments both indoors and outdoors. Ideal where protection from dust, water, UV and impact is important.

Socket Configurations

3 Pin



10A 250V



15A 250V



20A 250V



32A 250V

4 Pin



20A 500V



32A 500V

5 Pin



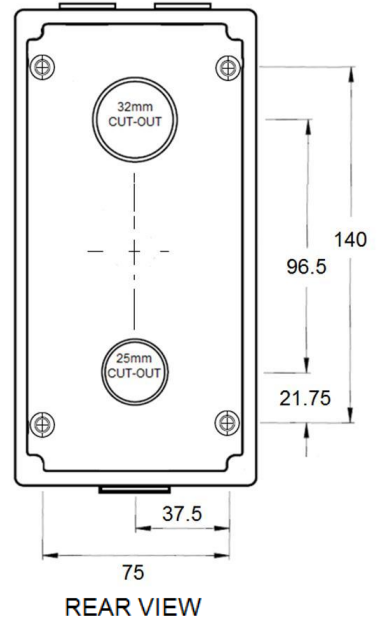
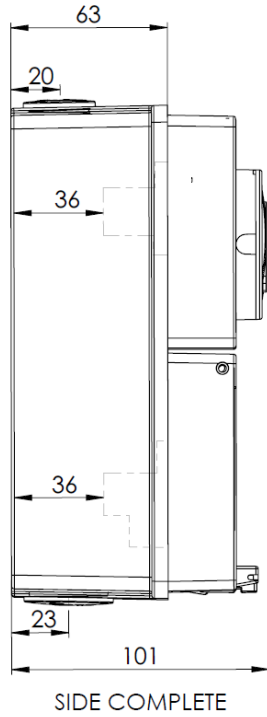
20A 500V



32A 500V

Dimensions

EY56C310
EY56C315



EY56C320
EY56C332
EY56C420
EY56C432
EY56C520
EY56C532

