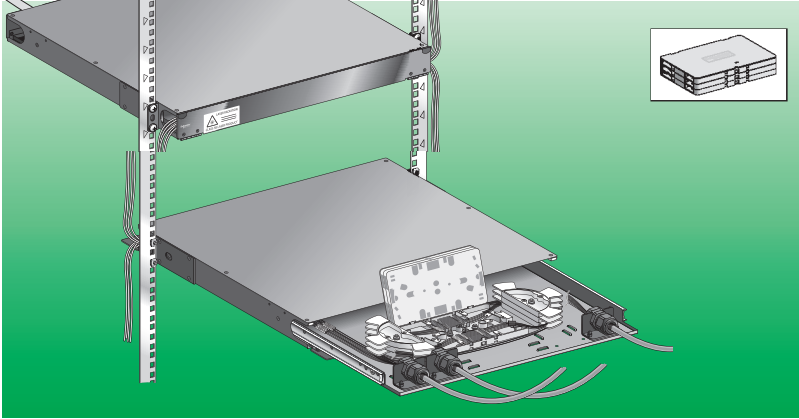
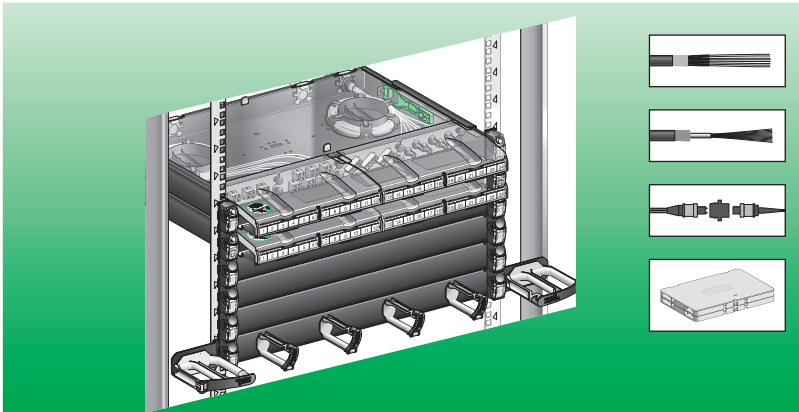


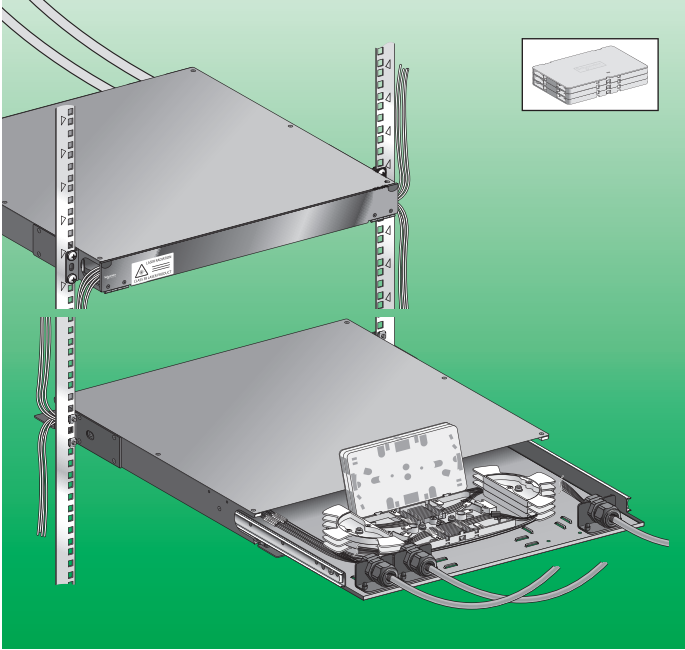
Actassi 19-HD Fiber optic panel 1U fiber panel installation guide



Actassi 19-C Fiber optic panels 1U fiber panel installation guide

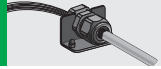


Actassi 19-HD Fiber optic panel 1U fiber panel installation guide



A

Fix the incoming cable



4

B

Fix splice tray & cut excess length of incoming cable



5

C

Fix pigtail & cut excess length of pigtail



7

D

Splicing



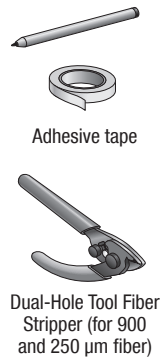
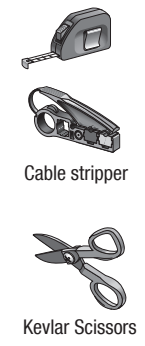
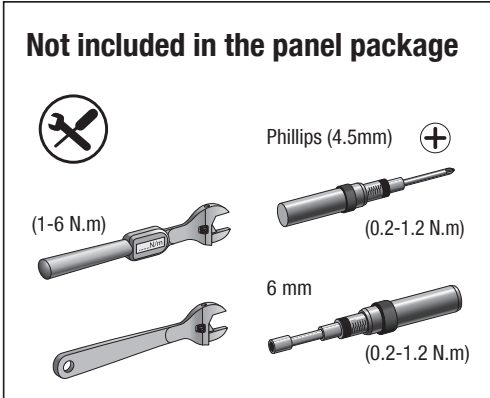
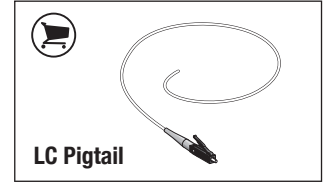
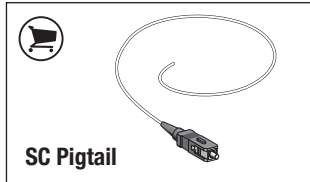
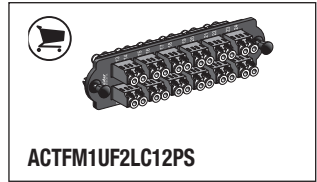
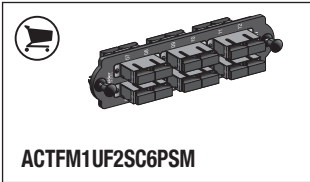
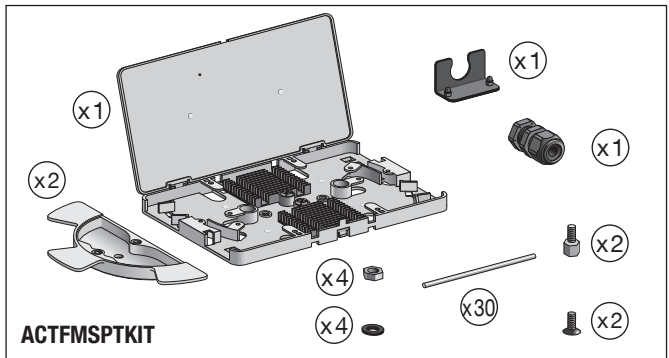
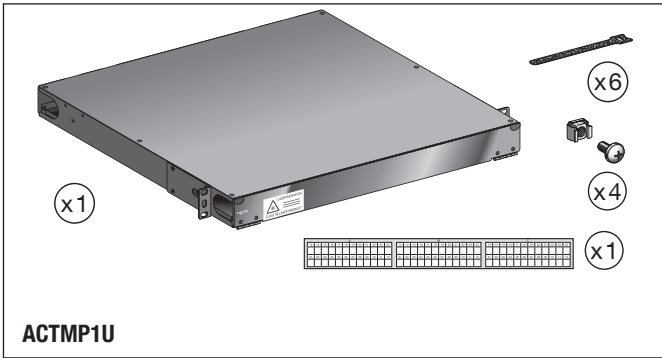
8

E

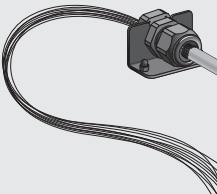
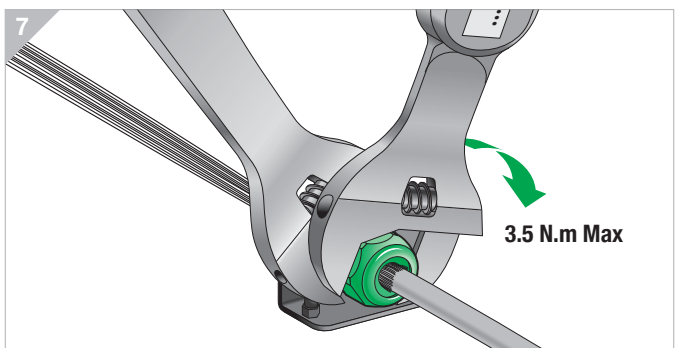
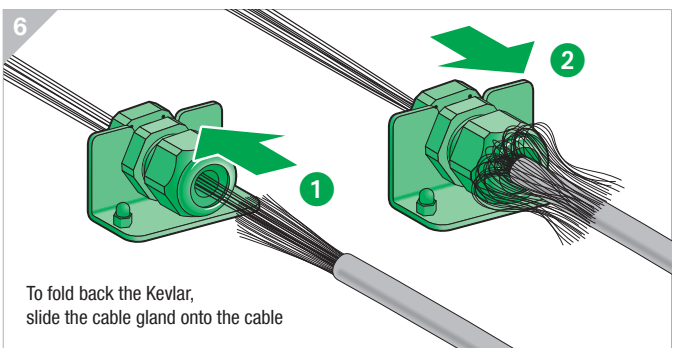
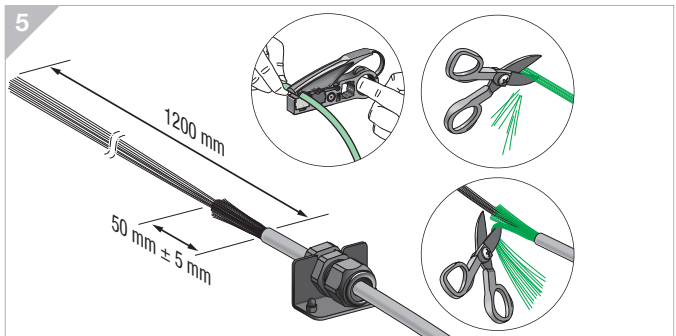
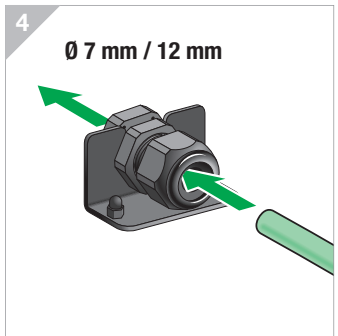
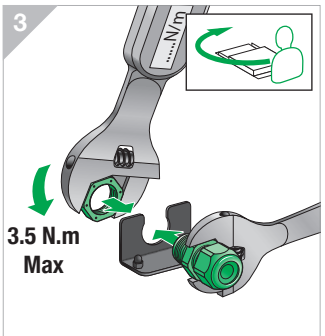
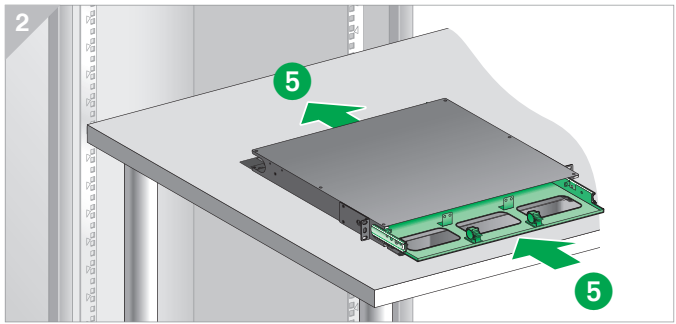
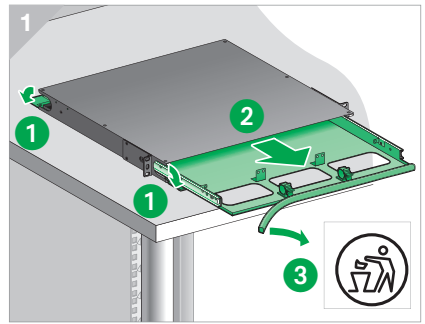
Mounting and identification

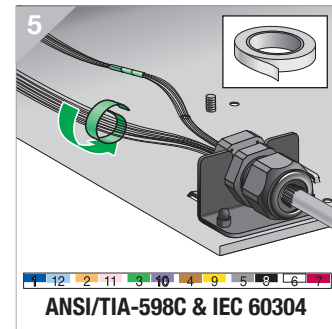
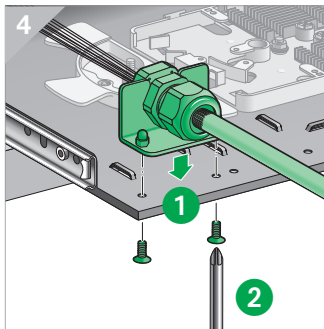
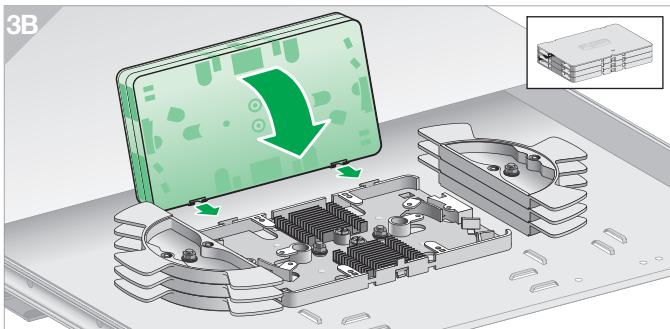
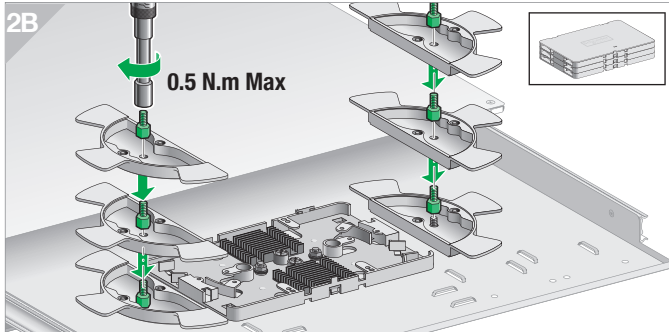
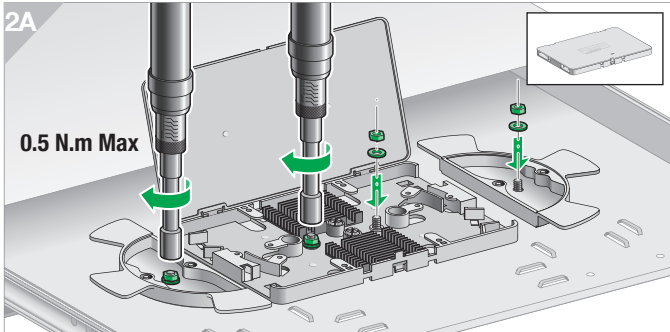
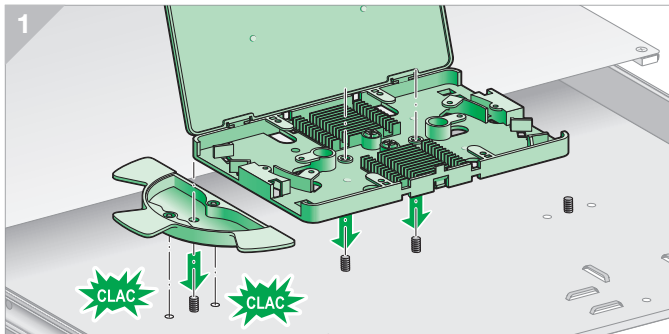
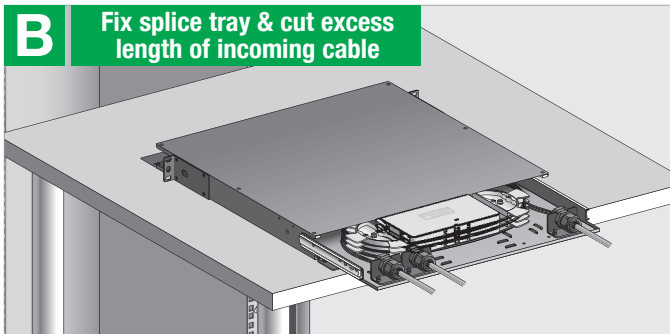


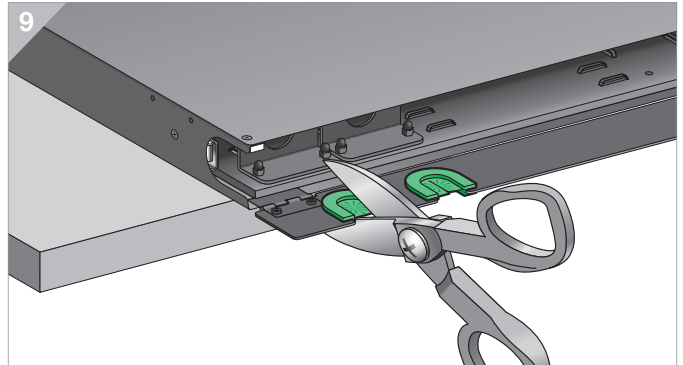
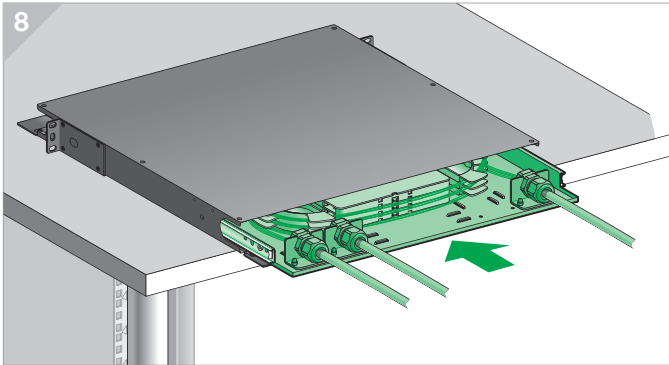
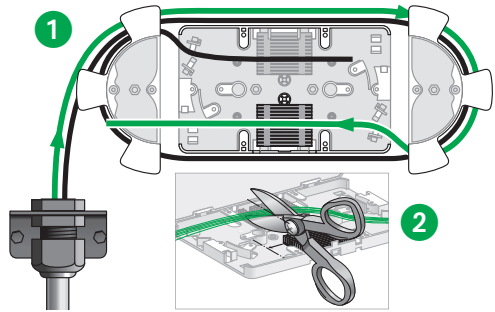
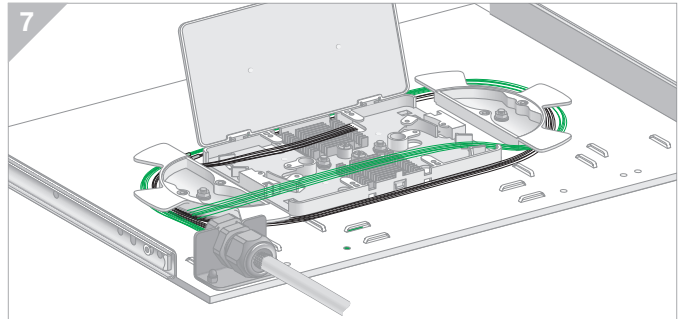
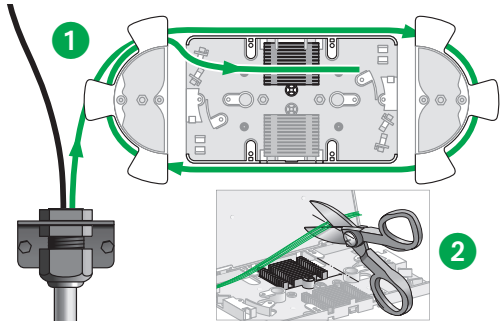
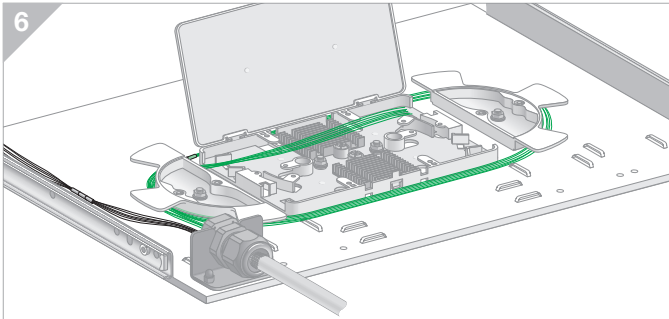
9



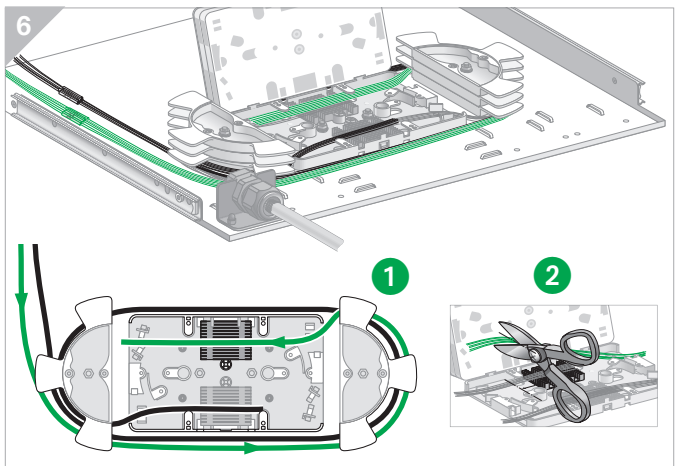
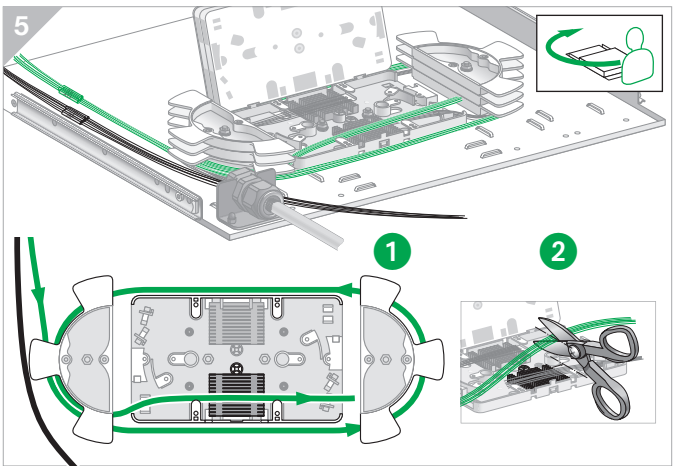
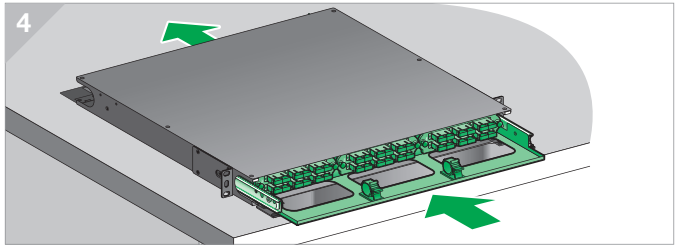
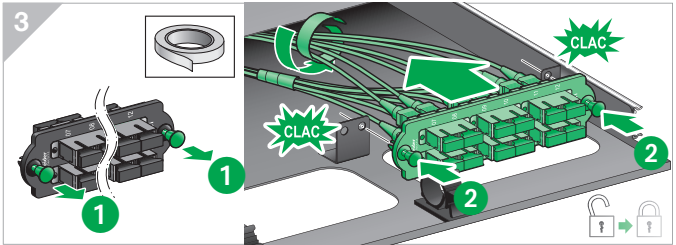
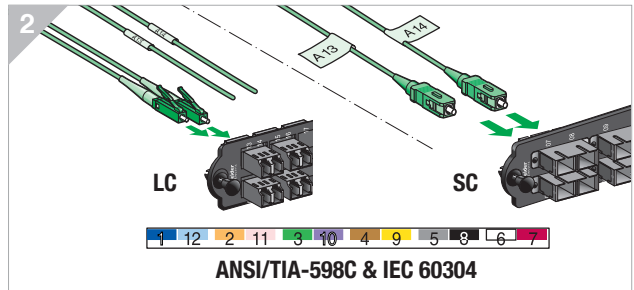
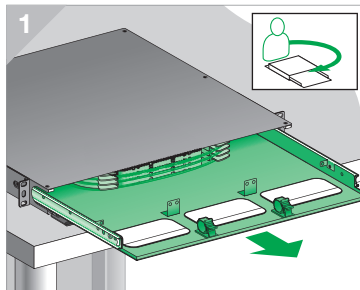
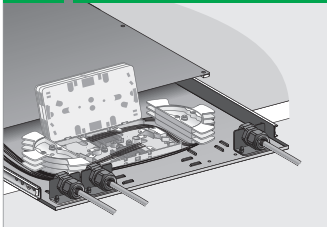
A Fix incoming cable

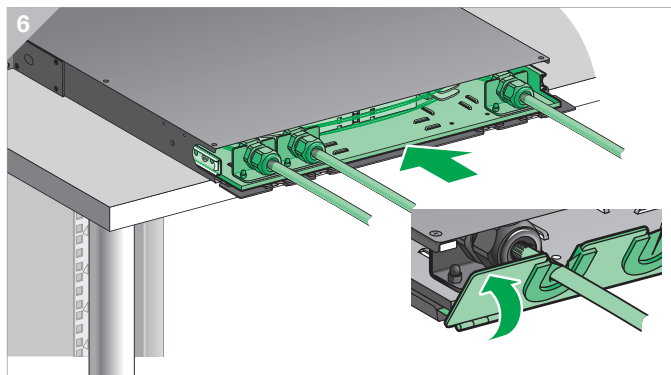
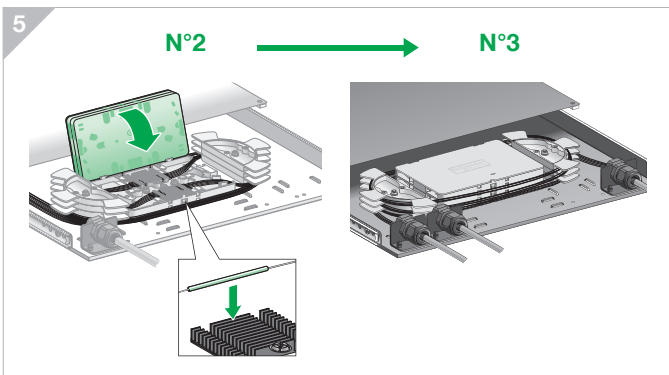
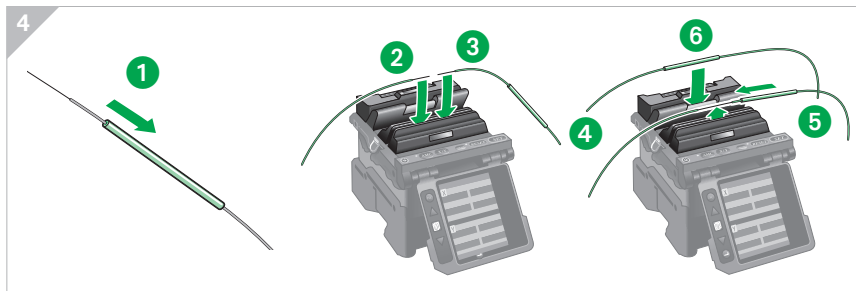
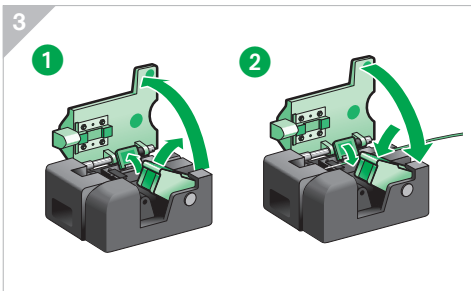
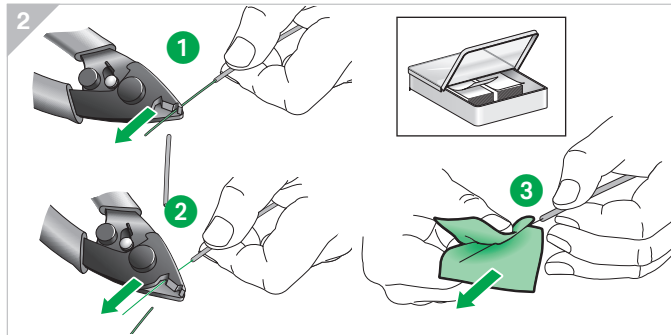
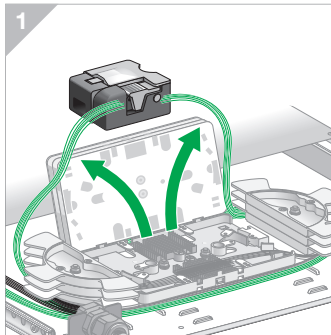
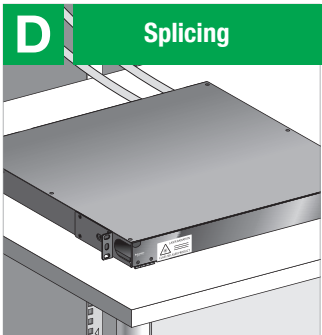
B**Fix splice tray & cut excess length of incoming cable****ANSI/TIA-598C & IEC 60304**



C Fix pigtail & cut excess length of pigtail

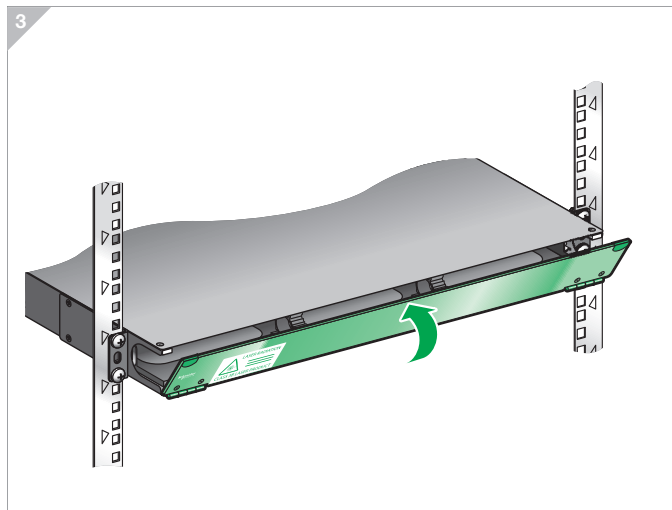
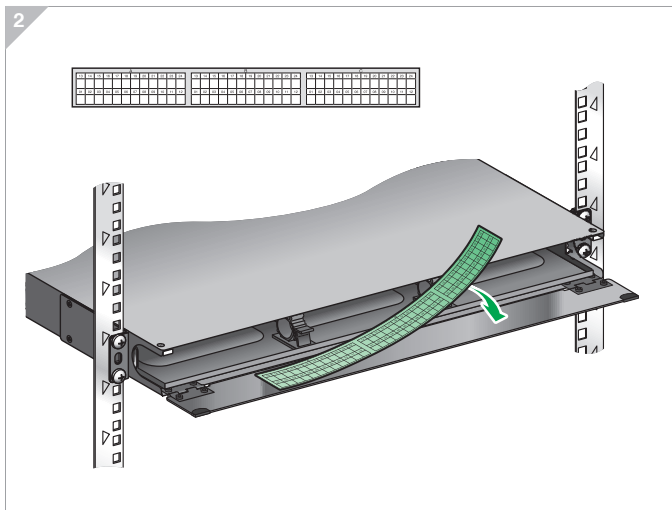
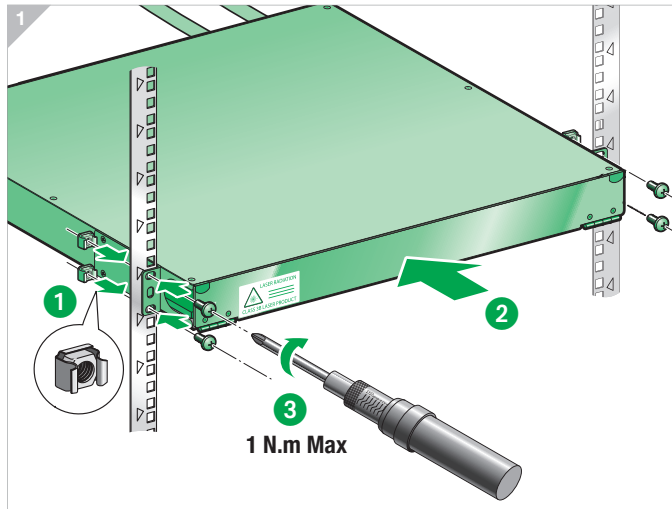
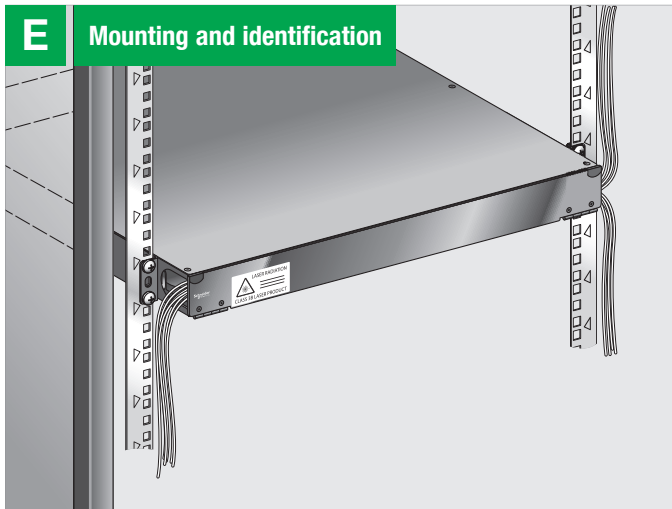


D Splicing

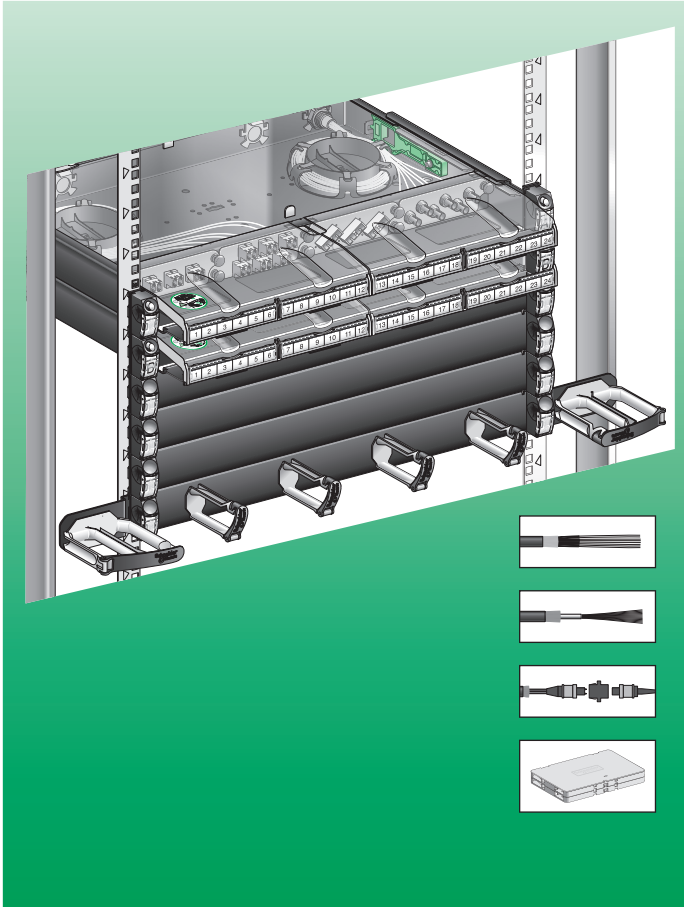


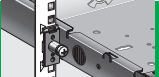


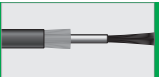
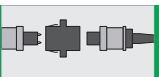





E

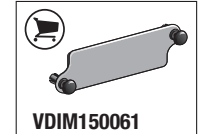
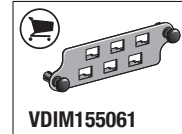
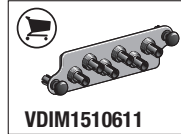
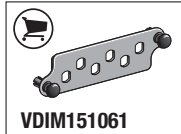
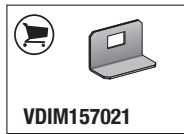
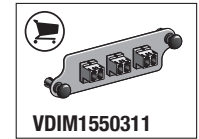
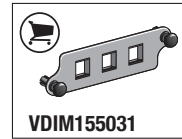
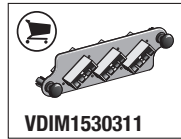
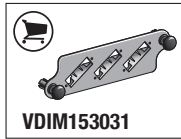
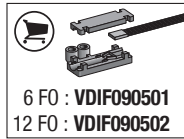
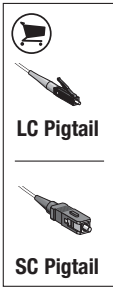
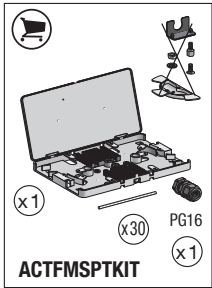
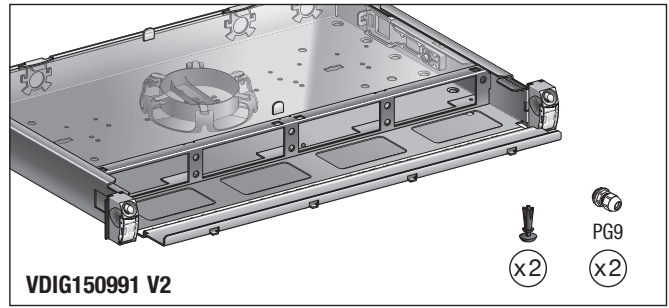
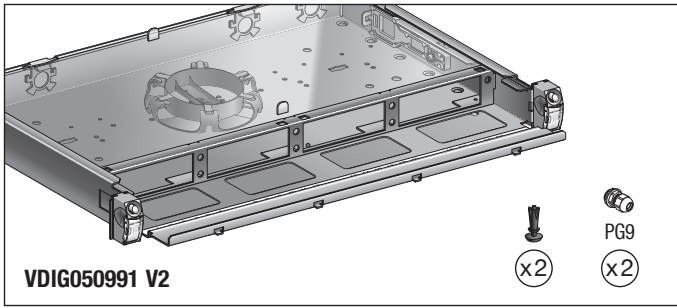
Mounting and identification



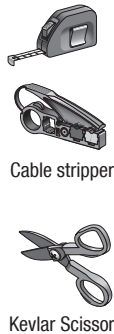
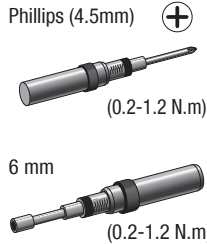
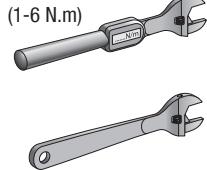
Actassi 19-C Fiber optic panels 1U fiber panel installation guide



A	Quick fix installation		12
B	Fix the incoming cable		13
C1	Direct termination		15
C2	Loose tub preparation for direct termination		15
C3	MPO/MTP fan-out installation		15
C4	Pigtail splicing termination One cassette		16
C4	Pigtail splicing termination Two cassettes		20
D	Panel mounting		24
E	Identification		24
F	Patching		25



Not included in the panel package

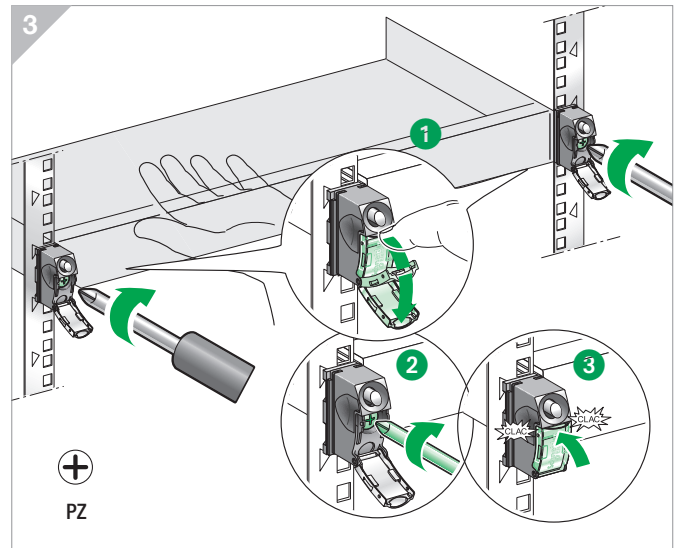
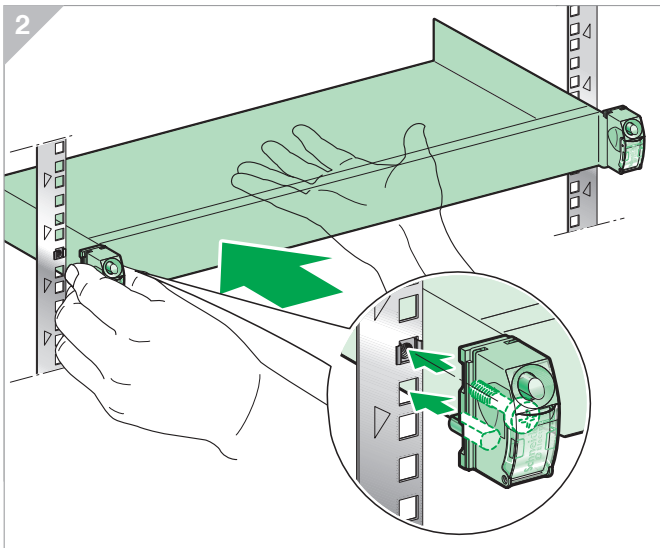
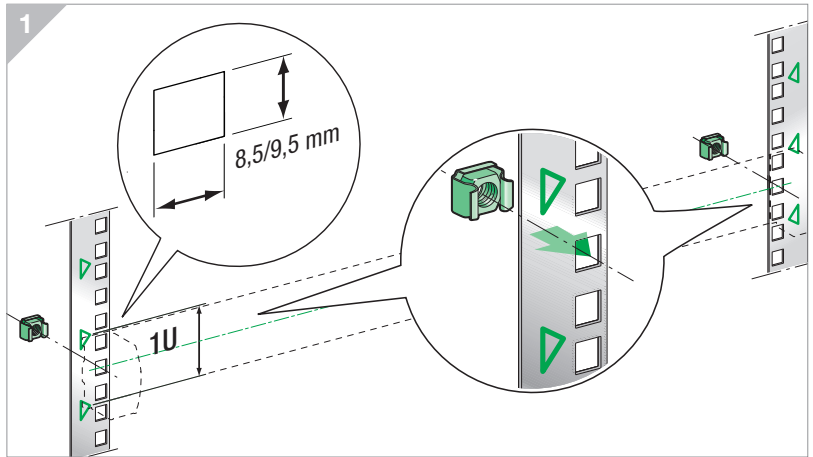
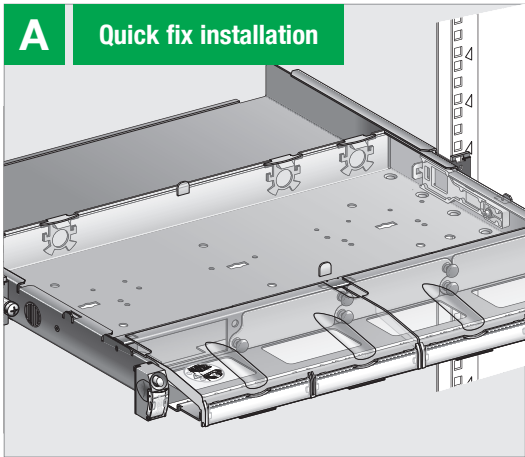


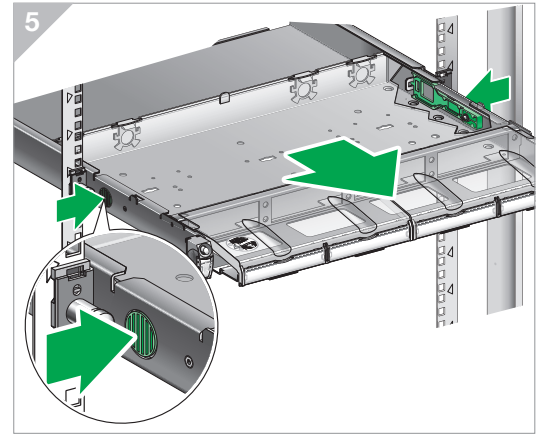
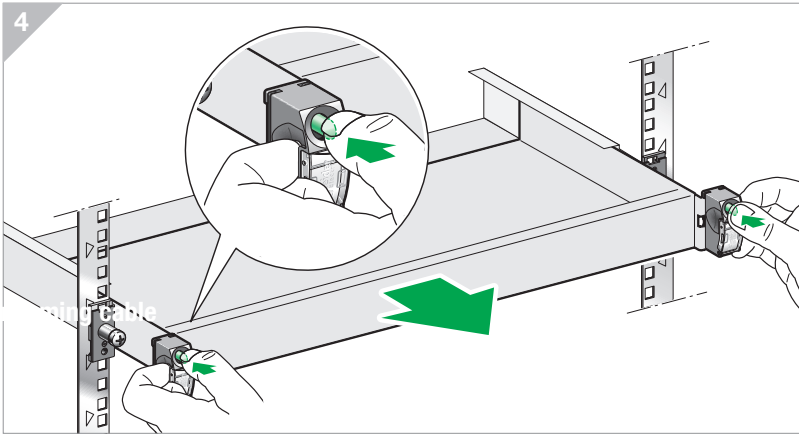
⚠️ ⚠️ DANGER

HAZARD SERIOUS INJURY

This equipment must only be installed and service by qualified electrical personnel.

Failure to follow these instructions will result serious injury.

A**Quick fix installation**



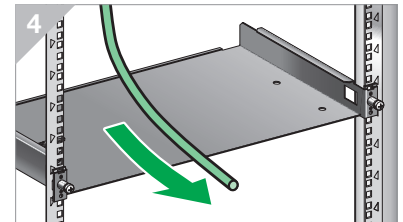
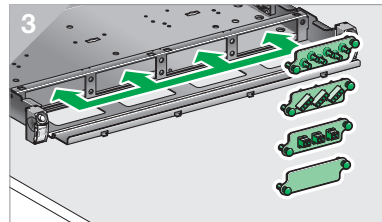
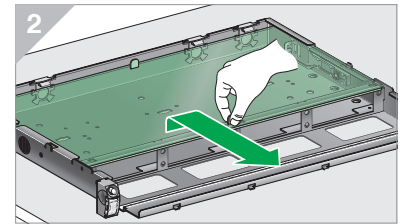
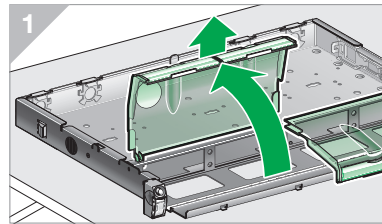
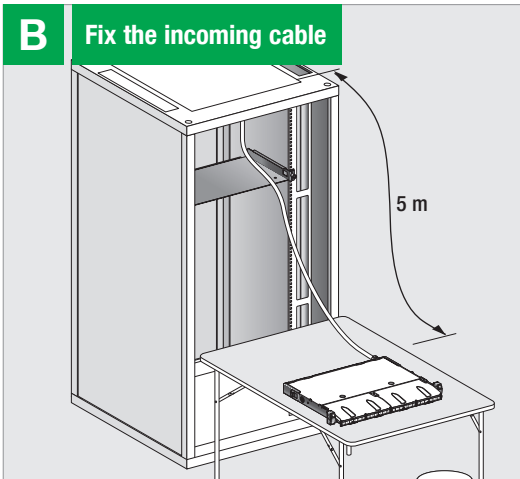
⚡ ⚠ DANGER

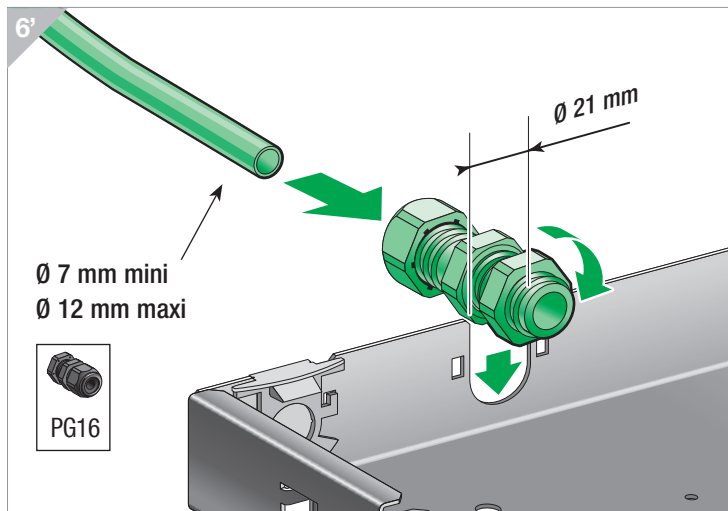
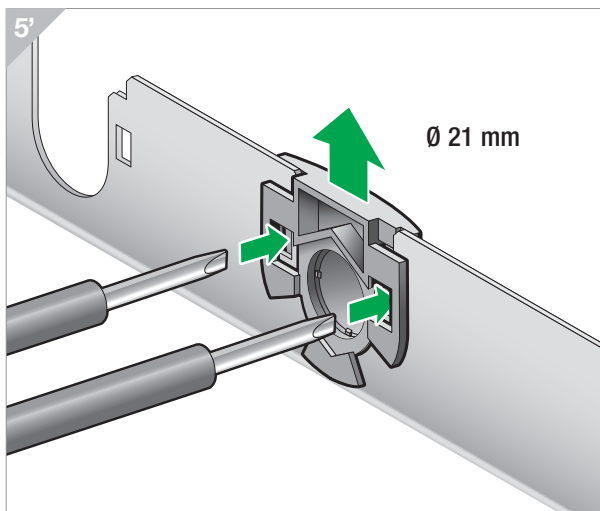
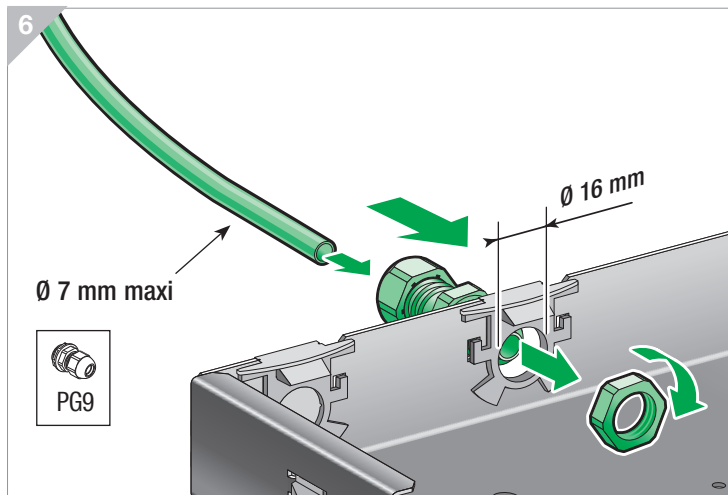
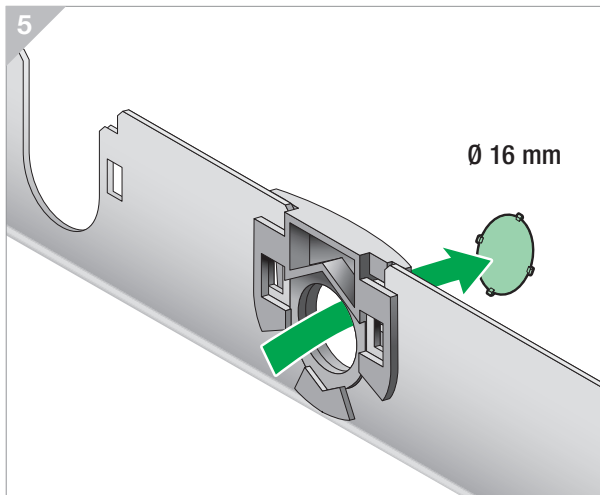


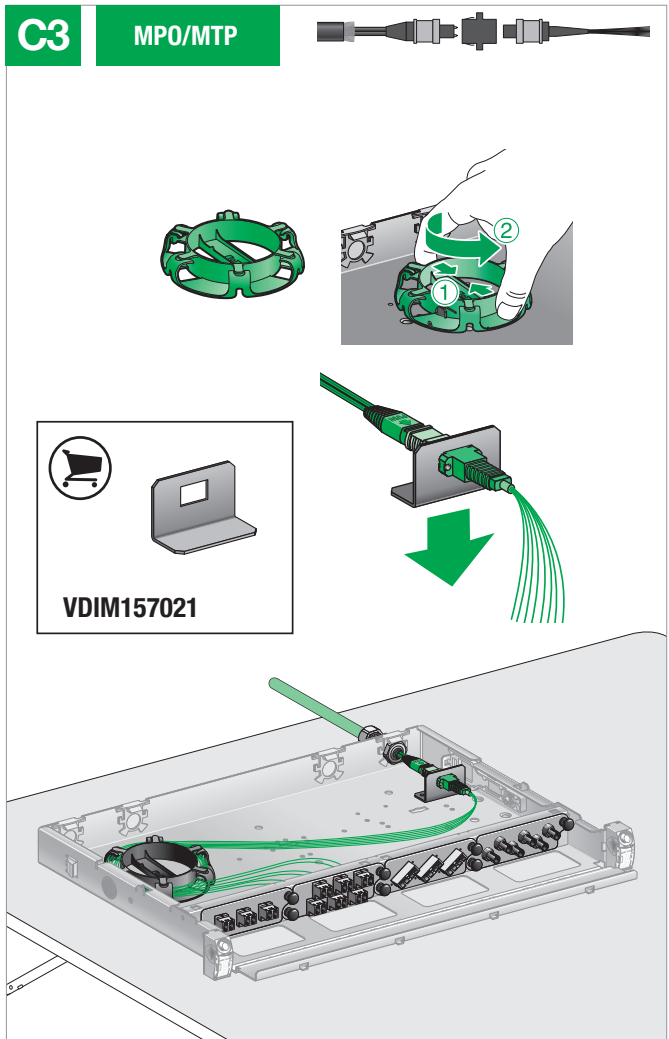
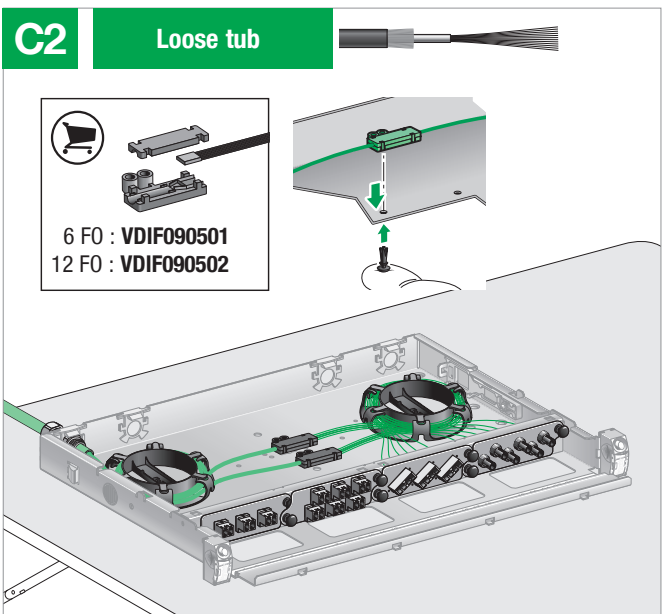
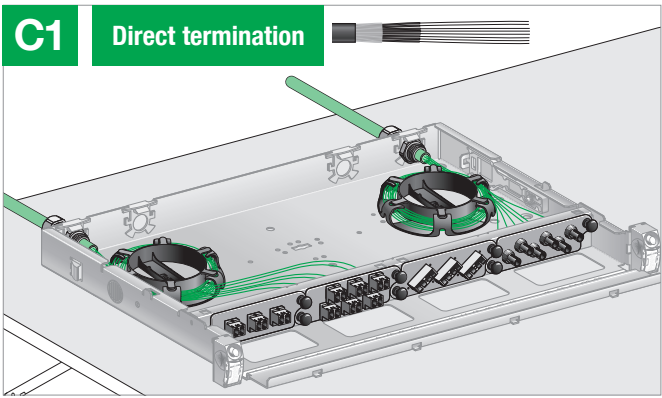
HAZARD SERIOUS INJURY

This equipment must only be installed and service by qualified electrical personnel.
Failure to follow these instructions will result serious injury.

B Fix the incoming cable



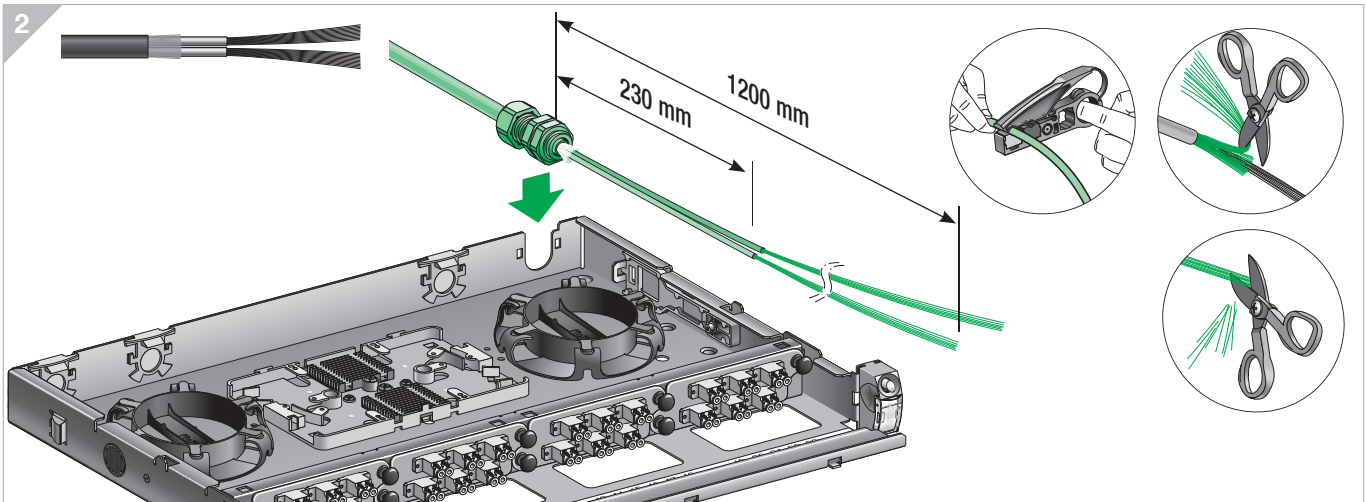
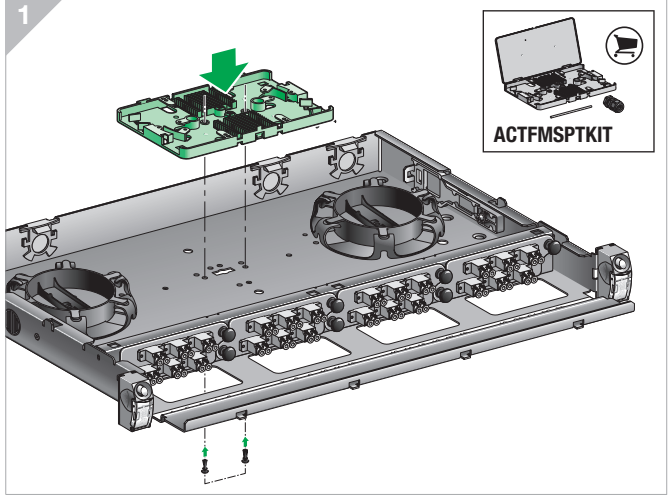
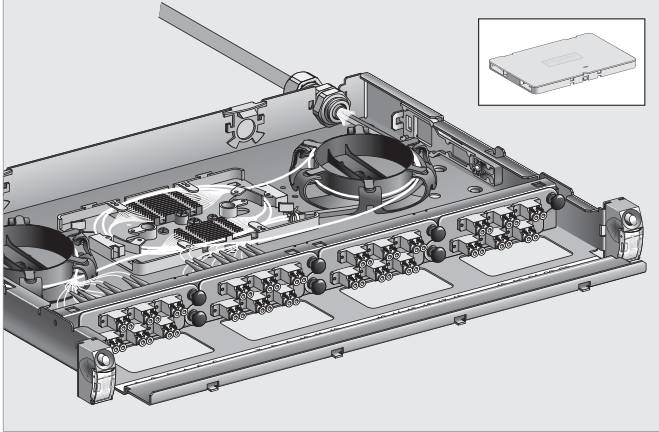


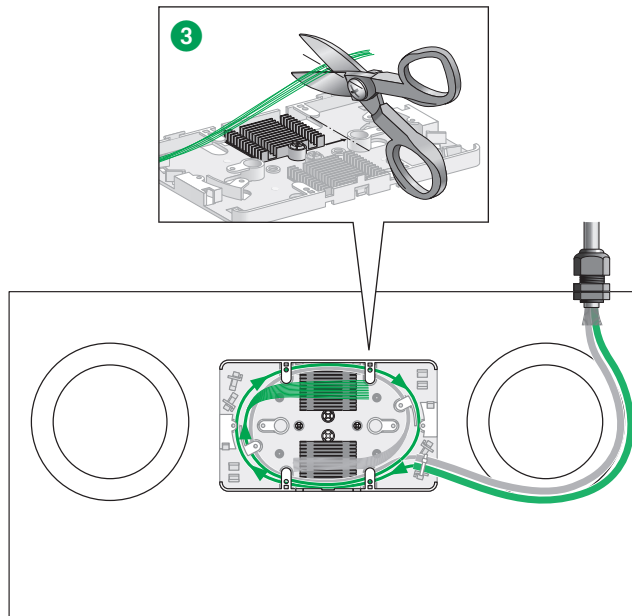
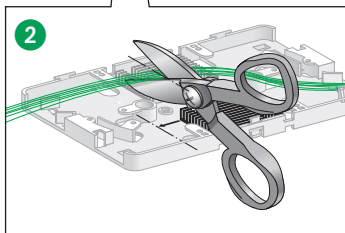
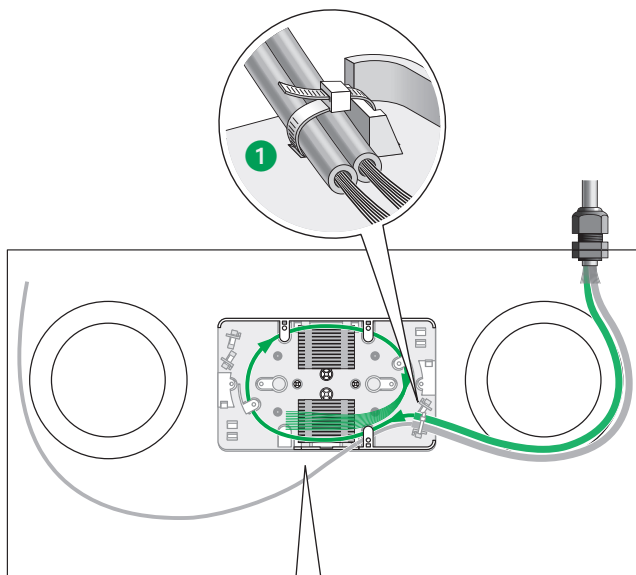


C4

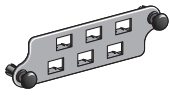
Pigtail splicing termination

One cassette





4



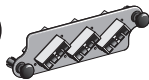
VDIM155061



VDIB6051003
VDIB6051004

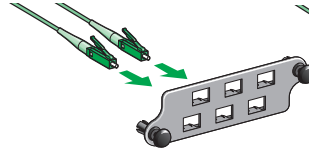


VDIB6052003
VDIB6052004

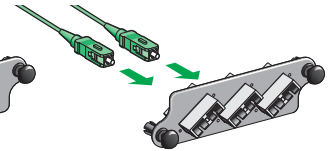


VDIM1530311

LC Pigtail

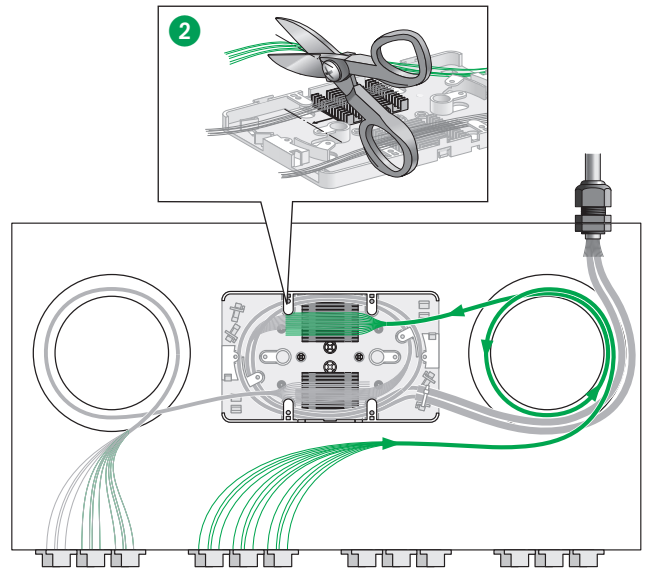
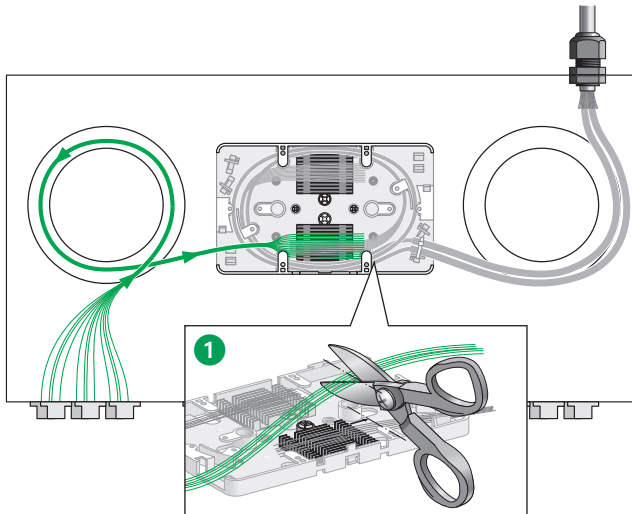


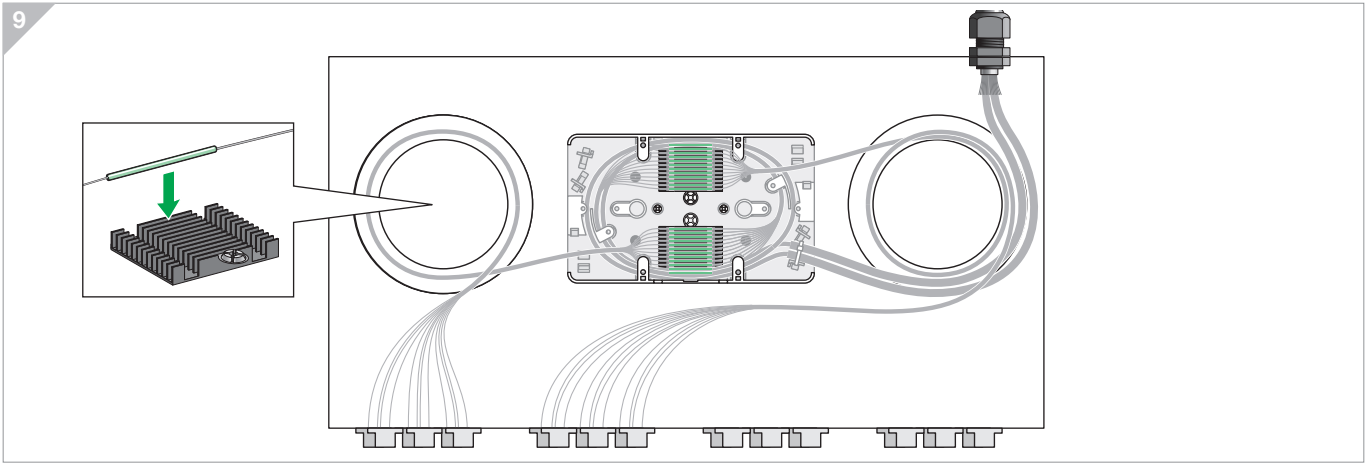
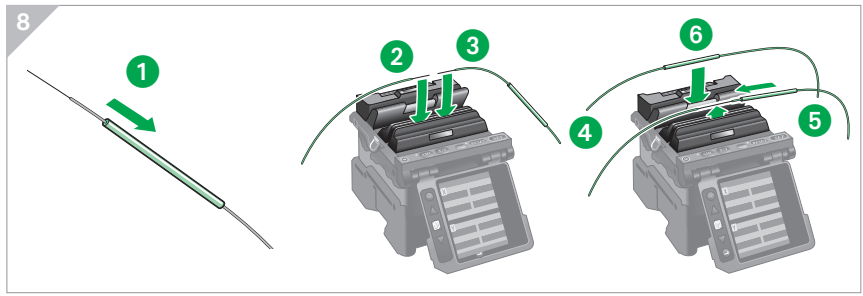
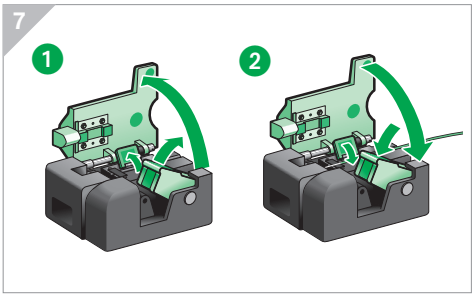
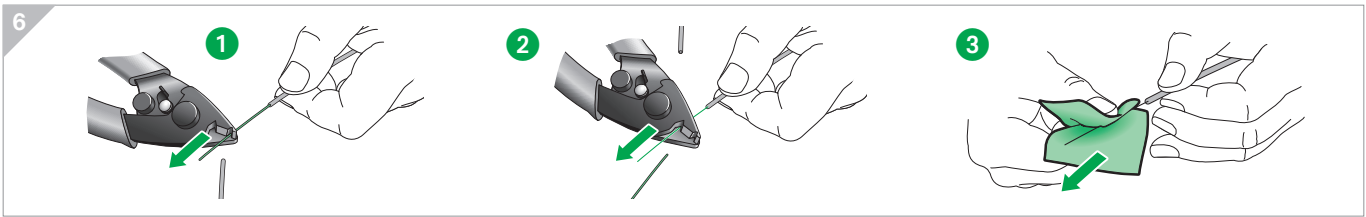
SC Pigtail



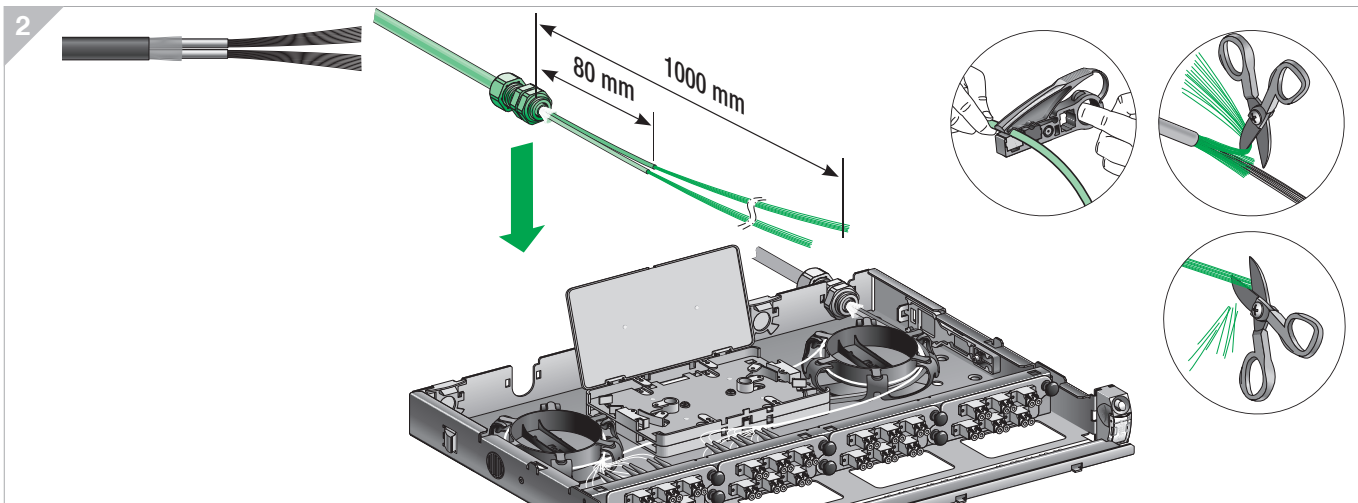
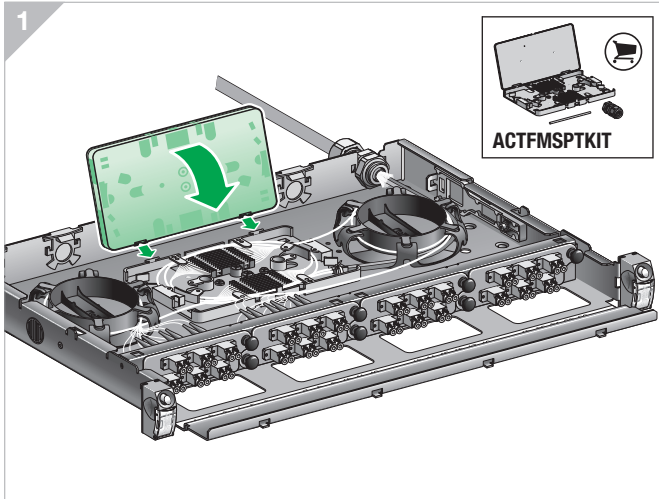
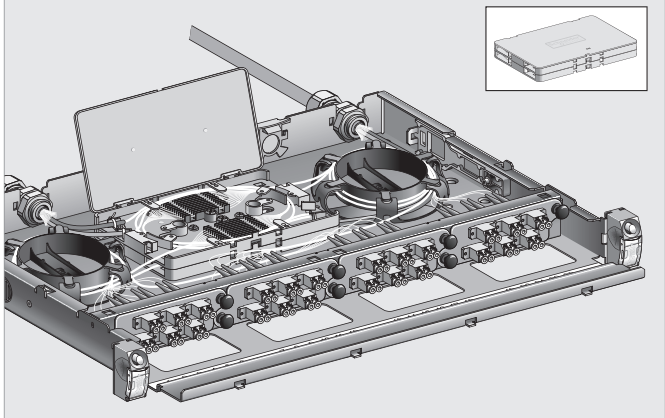
ANSI/TIA-598C & IEC 60304

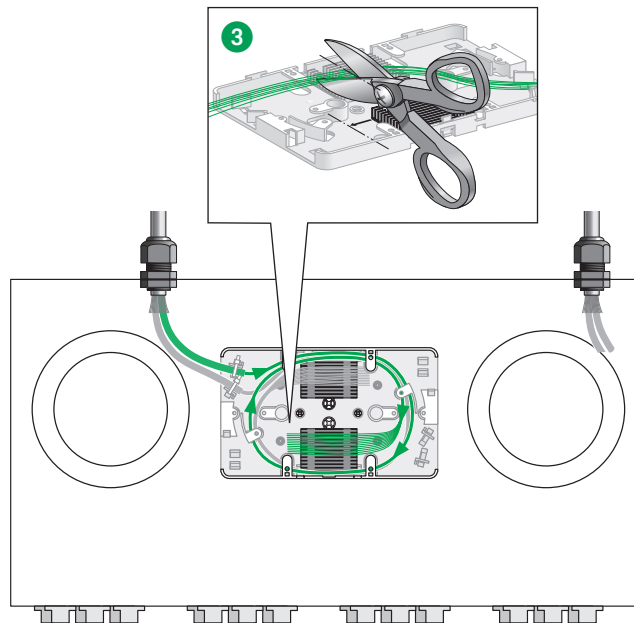
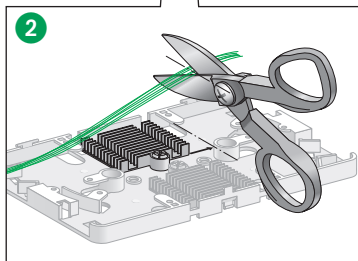
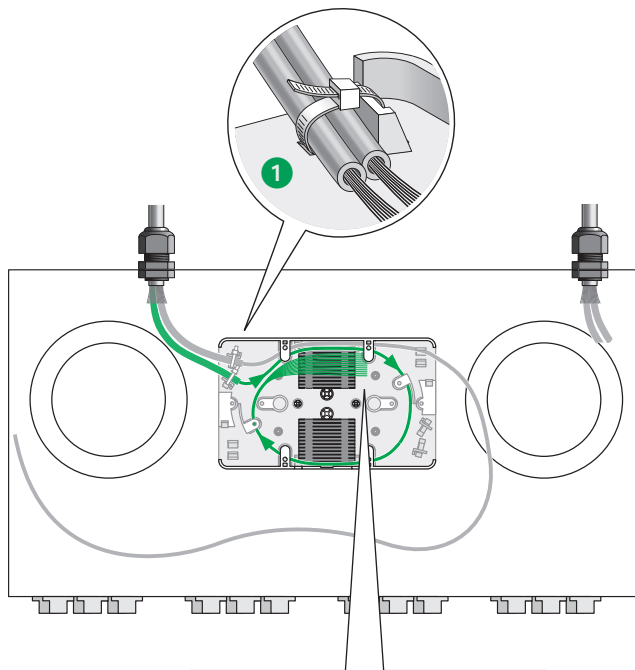
5



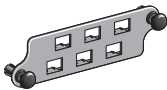


C4 Pigtail splicing termination Two cassettes





4



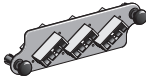
VDIM155061



VDIB6051003
VDIB6051004

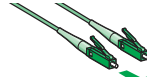


VDIB6052003
VDIB6052004

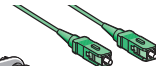


VDIM1530311

LC Pigtail

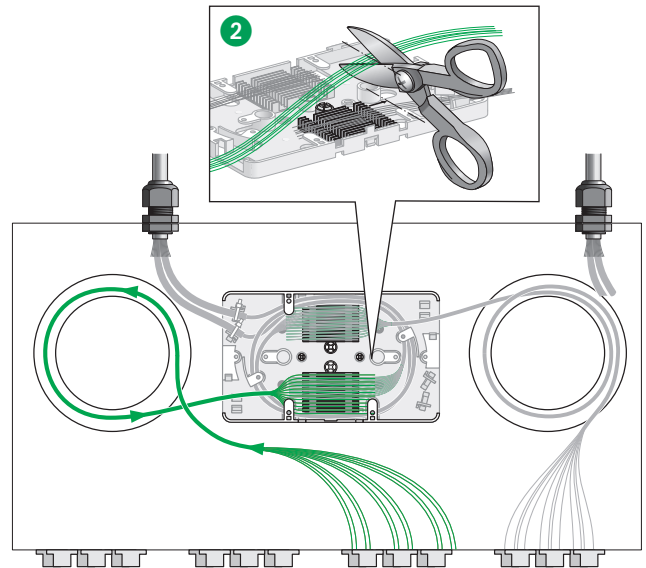
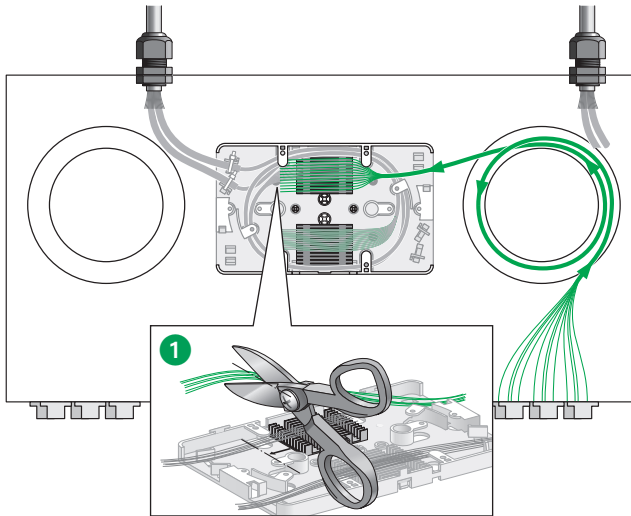


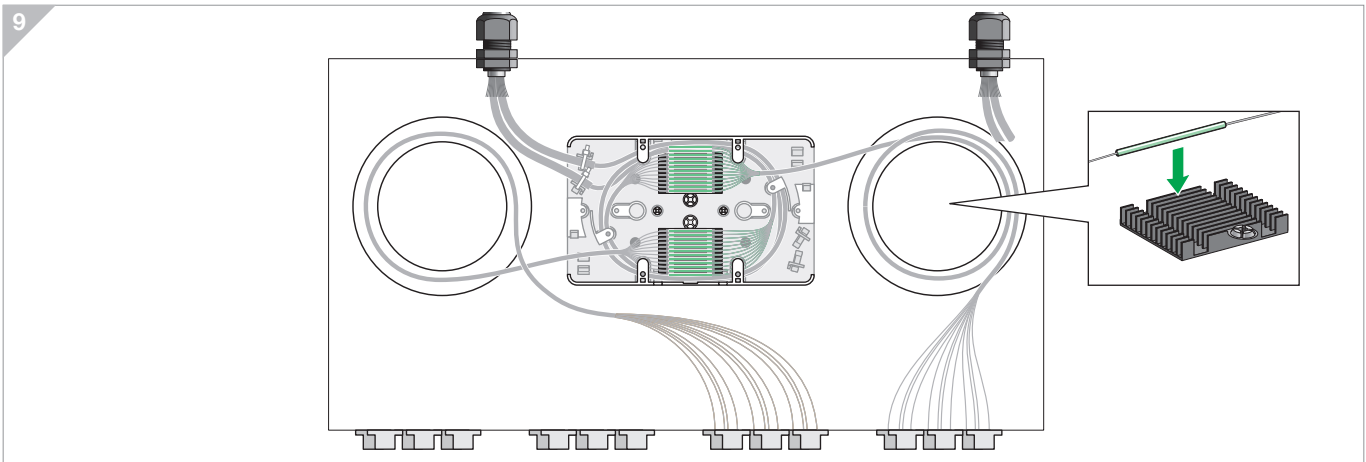
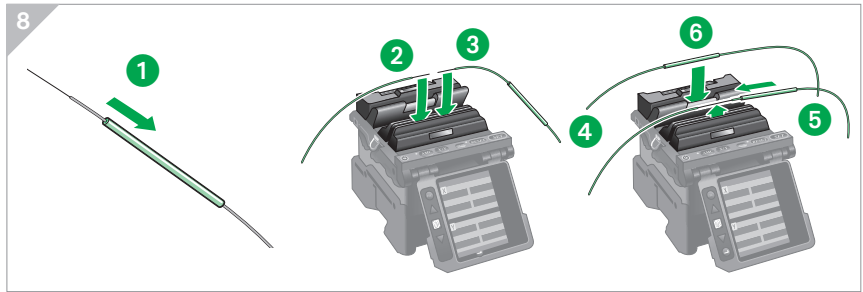
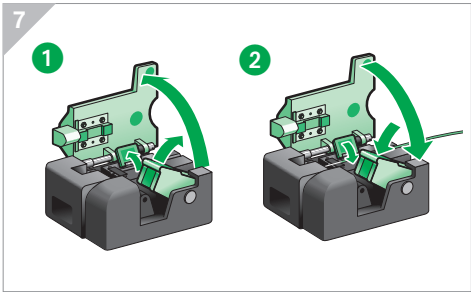
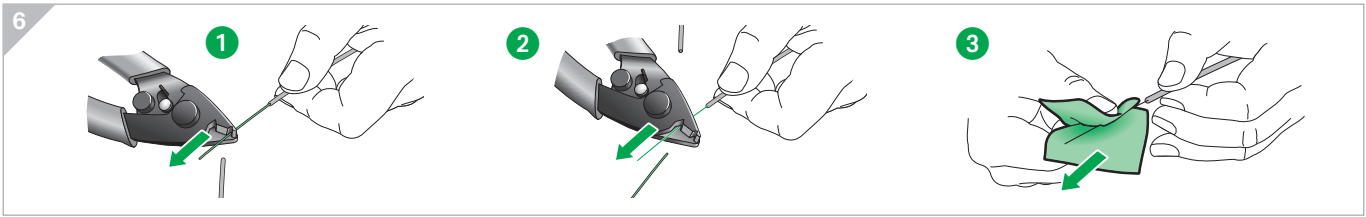
SC Pigtail



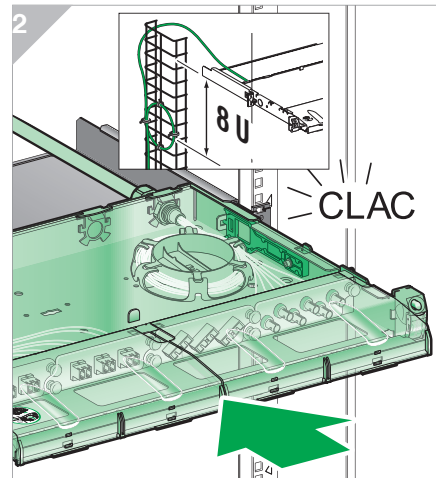
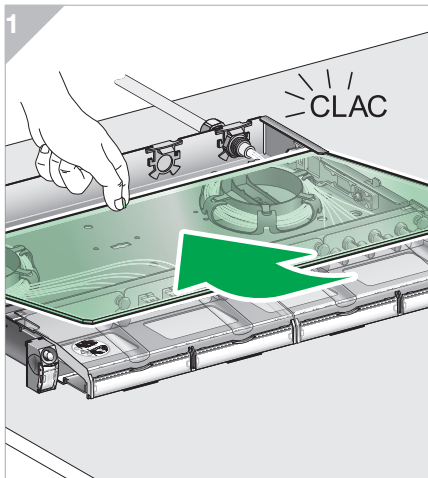
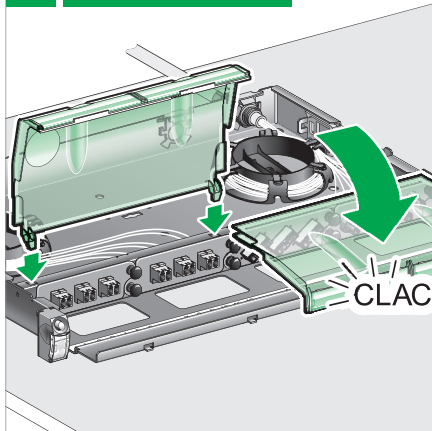
ANSI/TIA-598C & IEC 60304

5

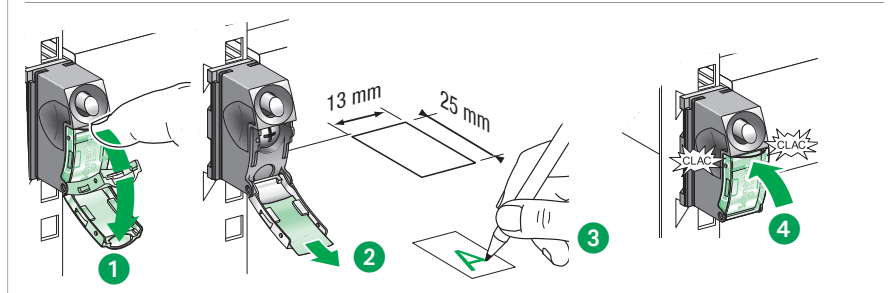
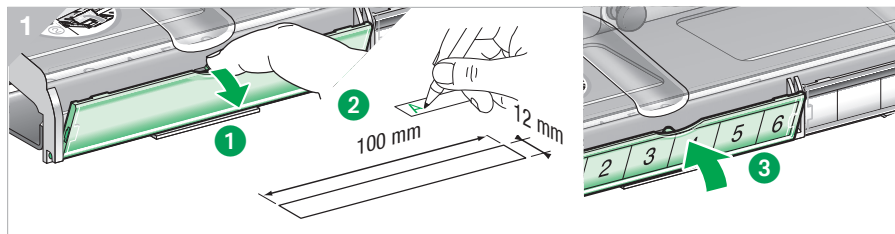
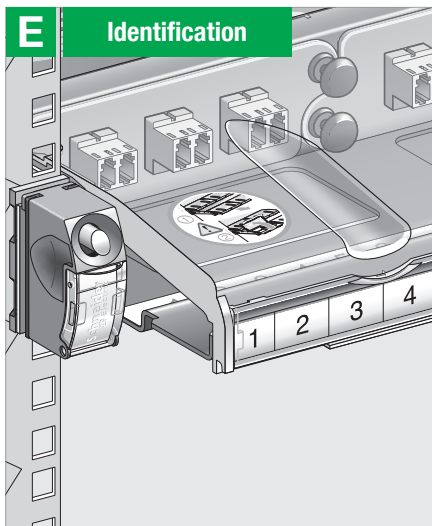


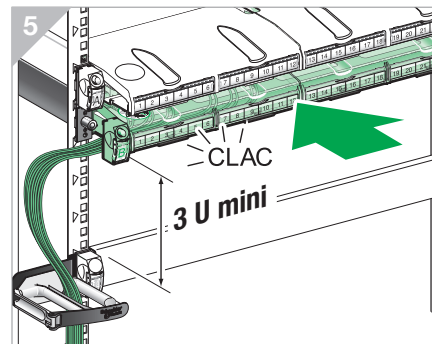
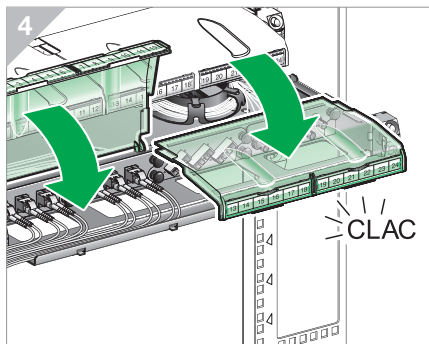
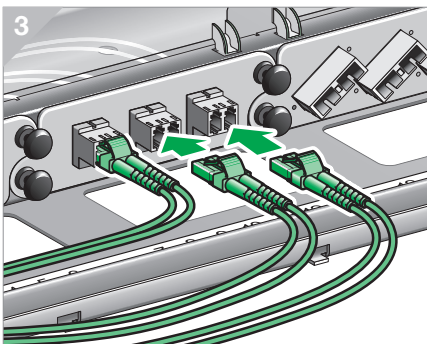
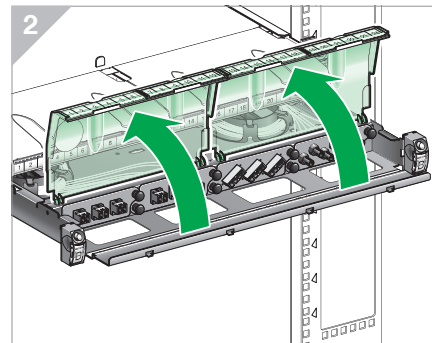
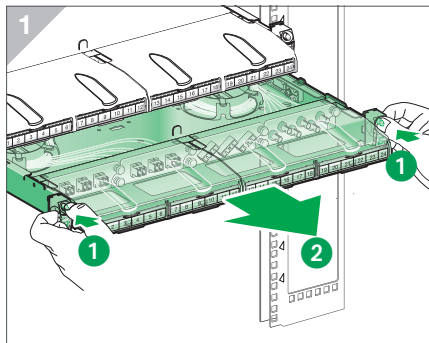
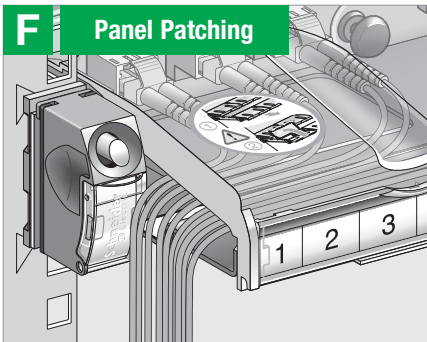


D Panel mounting



E Identification





ENGLISH

This product must be installed, connected and used in compliance with applicable standards and/or installation regulations.

As standards, specifications and designs develop from time to time, always ask for confirmation of the information given in this publication.

FRAÇAIS

Ce produit doit être installé, connecté et utilisé conformément aux normes applicables et/ou règles d'installation. Du fait que les normes, les spécifications et les schémas peuvent être modifiés, nous vous recommandons de vérifier que la documentation de cette publication soit mise à jour.

DANSK

Produktet skal installeres, tilsluttes og anvendes i henhold til gældende standarder og installationsregler. Få altid bekræftet, om oplysningerne i dette dokument stadig er gældende, da specifikationer, standarder og design ændres løbende.

ESPAÑOL

Este producto debe ser instalado, conectado y utilizado en acuerdo con las normas aplicables y/o las reglas de instalación.

Dado que las normas, las especificaciones y los diseños se desarrollan de vez en cuando, se recomienda se aseguren que la información dada en esta publicación sea la correcta.

Schneider Electric Industries SAS

35, rue Joseph Monier
92500 Rueil-Malmaison, France

www.schneider-electric.com