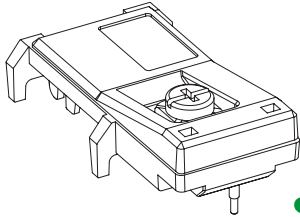


PowerLogic™ METSEPM55GRMD

en zh



NVE30698-03



1 en PowerLogic™ PM5560 Series Grounding Module

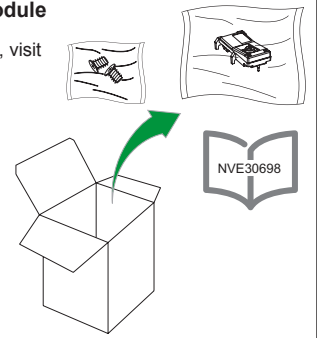
To download user manuals and other documentation, visit www.se.com. Type PM5500 in the search field.

Note: Do not use the product if it is damaged. Contact Schneider Electric customer care representative for support (www.se.com/support).

zh PowerLogic™ PM5560系列接地模块

要下载用户手册和其他文档，请访问 www.se.com。请在搜索字段中键入 PM5500。

注：如果已损坏，请勿使用该产品。欲获取支持，请联系施耐德客户服务中心代表 (www.se.com/support)。



2 Safety Precautions / 安全措施

⚠ DANGER / 危险

HAZARD OF ELECTRIC SHOCK, EXPLOSION, OR ARC FLASH

- Apply appropriate personal protective equipment (PPE) and follow safe electrical work practices. See NFPA 70E in the USA, CSA Z462 or applicable local standards.
- Turn off all power supplying this device and the equipment in which it is installed before working on the device or equipment.
- Always use a properly rated voltage sensing device to confirm that all power is off.
- Do not exceed the device's ratings for maximum limits.
- Only connect ground (earth) to the ground terminal; do not connect voltage.
- Replace all devices, doors, and covers before turning on power to this equipment.
- Do not use water or any liquid material to clean the product. Use a cleaning cloth to remove dirt. If dirt cannot be removed, contact local Technical Support representative.

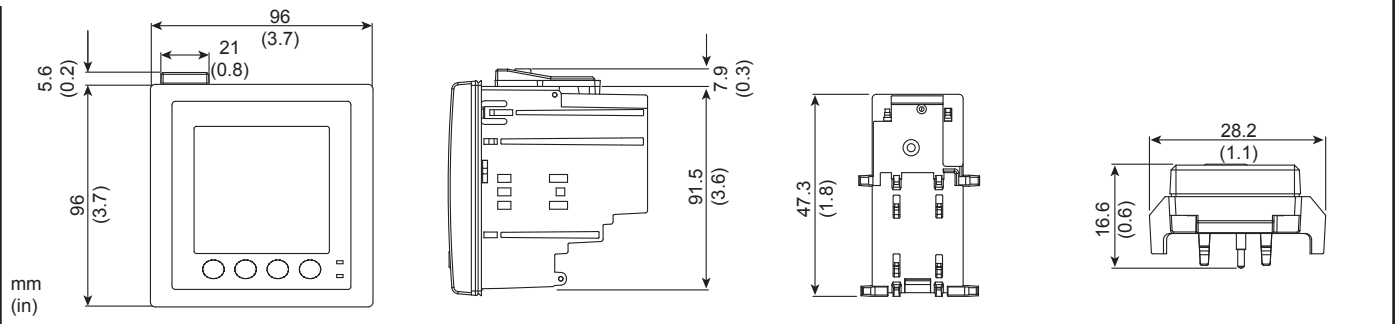
Failure to follow these instructions will result in death or serious injury.

电击、爆炸以及弧光危险

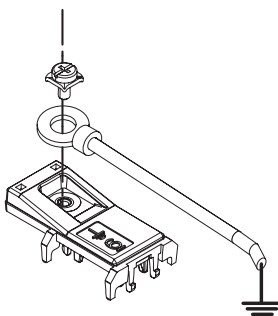
- 请穿戴好个人防护设备 (PPE)，并遵守电气操作安全规程。请遵循美国的 NFPA 70E、CSA Z462 或适用的当地标准。
- 对装置或设备进行操作之前，请关闭该装置和安装在装置内的设备的所有电源。
- 务必使用额定电压值正确的电压感应设备，以确认所有电源均已关闭。
- 切勿超过设备的额定最高限值。
- 只能将地线连接至接地端子；切勿连接电压。
- 启动设备电源之前，请更换所有装置、门和护盖。
- 请勿使用水或任何液体材料清洁产品。使用清洁布清除污垢。如果污垢无法清除，请联系当地技术支持代表。

若不遵循这些说明，将会导致死亡或严重人身伤害事故。

3 Dimensions / 尺寸



4 Wiring / 接线

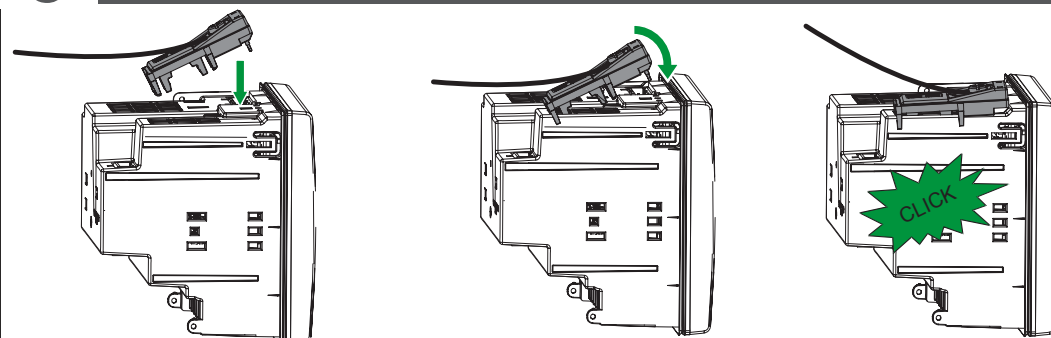


0.82 - 3.31 mm ² (18 - 12 AWG)	3.68 mm ±0.08 [1.45 in ±.003] DIA 10.00 mm [0.394 in] MAX	0.9 - 1.0 N·m (8.0 - 9.0 in·lb)	⊕ (PH2)

en NOTE: Ground wire must be long enough to attach to the grounding module prior to meter installation.

zh 注：地线必须足够长，从而能够在安装到测量表之前连接至接地模块。

5 Installing Grounding Module / 安装接地模块

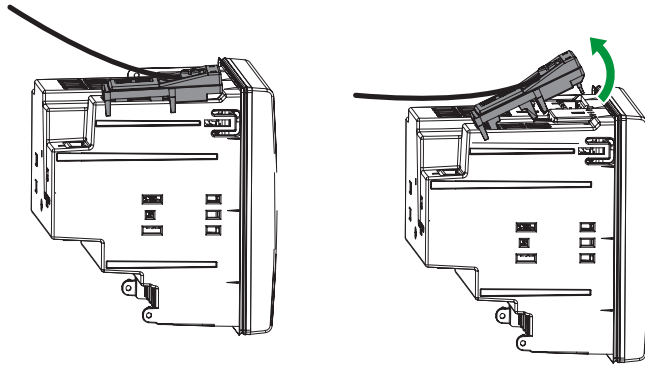


en Ensure that the pin is intact while installing.

zh 确保安装时定位销完好无损。

6

Removing Grounding Module / 拆除接地模块



7

Technical Specifications / 技术规格

en

Environment

- -25 to 70 °C (-13 to 158 °F) operating temperature
- Humidity rating: 5% to 95% RH noncondensing, maximum dewpoint 37 °C (99 °F)
- Pollution degree 2
- Altitude: ≤ 3000 m (9843 ft)
- For indoor use in a stationary panel

zh

环境

- 工作温度: -25至70°C (-13至158°F)
- 湿度等级: 5%至95%相对湿度, 无冷凝, 最高露点37°C (99°F)
- 污染等级: 2级
- 海拔高度: ≤3000米 (9843英尺)
- 适合在室内固定面板中使用

Notices / 注意事项

en

Read these instructions carefully and look at the equipment to become familiar with the device before trying to install, operate, service or maintain it.

Electrical equipment should be installed, operated, serviced and maintained in restricted access locations only by qualified personnel. No responsibility is assumed by Schneider Electric for any consequences arising out of the use of this material. A qualified person is one who has skills and knowledge related to the construction, installation, and operation of electrical equipment and has received safety training to recognize and avoid the hazards involved.

PowerLogic and Schneider Electric are trademarks or registered trademarks of Schneider Electric in France, the USA and other countries.

- This product must be installed, connected and used in compliance with prevailing standards and/or installation regulations.
- If this product is used in a manner not specified by the manufacturer, the protection provided by the product may be impaired.
- The safety of any system incorporating this product is the responsibility of the assembler/installer of the system.

As standards, specifications and designs change from time to time, always ask for confirmation of the information given in this publication.

zh

尝试安装、操作、维修或维护本设备之前, 请对照设备仔细阅读这些说明, 以使自己熟悉该设备。

应在限制进入的区域开展电气设备的安装、操作、维修和维护工作, 且只能由具备资质的人员进行。由于误用本材料而导致的任何后果, 施耐德电气公司概不负责。经过认证的技术人员是指该人员拥有与电气设施的架设、安装和操作相关的技能和知识, 并且受过安全培训, 能够识别和避免所涉及的危险。

PowerLogic 和 Schneider Electric 是施耐德电气公司在法国、美国和其它国家或地区的商标或注册商标。

- 本产品必须按现行标准和/或安装规定进行安装、连接和使用。
- 如果使用本产品的方式不是制造商指定的方式, 可能造成产品本身的保护功能受损坏。
- 将本产品纳入其中的任何系统的安全由该系统的组装/安装人员负责。

由于标准、规格和设计会不时改变, 请务必对本出版物中所提供资料进行确认。