

PacT Series

EvoPacT™ HVX

Medium Voltage Distribution

Catalog 2025 (IEC)

Vacuum Circuit Breakers up to 24 kV

The next generation of HVX digital MV Circuit Breaker



Contents

Overview

A

Range description

B

Function and module descriptions

C

Product references

D

PW110662



More resilient and sustainable power availability

Designed to put your mind at ease

EvoPacT HVX MV circuit breakers bring infrastructure, large industrial or commercial buildings, electro-intensive processes, or cloud and service providers into the future with IoT-enabled features that meet the needs of our All Digital, All Electric world.

Longer Service Life

- Designed with more than 45 years of medium-voltage experience, we use best-in-class components and embedded condition monitoring for longer operational life.

More Uptime

- By shifting to condition based maintenance using embedded IoT-enabled health sensors, you can help keep your business running with maximum uptime.

Manage Risks

- With innovative digital features, EvoPacT HVX helps to change working practices and mitigate risks for facilities and the people who work in them.



Built-in sustainability

EvoPacT HVX digital circuit breakers are designed and built to be more sustainable and part of our commitment to deliver sustainable performance for our customers.

- Green Premium certified
- Cradle to Cradle certified
- Modular with easy upgrades
- Digital integrations to save time
- Longer operational life
- Only Air-based (Vacuum) switching



PM110115



PM105396



PM105397



Discover powerful connectivity

EvoPacT HVX boasts powerful digital capabilities, designed to help you optimize operations with more visibility and uptime.

Whether you start with the standard EvoPacT HVX, EvoPacT HVX Active or EvoPacT HVX Active Plus digital monitoring and control features are modular and easily scaled to grow with your business.



EvoPacT HVX

The next generation of digital circuit breaker, with future-ready compatibility and fast access to documentation (using the Digital Logbook) via QR code on your mobile device.

EvoPacT HVX Active

React faster to help prevent unplanned downtime with 24/7 condition monitoring using scalable health sensors from essential thermal monitoring.

EvoPacT HVX Active Plus

Comprehensive set of sensors that monitor the complete circuit breaker health using scalable sensors monitoring critical components such as operating coils, vacuum interrupters, motors and mechanisms.

Scalable and ready for everything

Designed to be modular, flexible and easily upgraded, EvoPacT HVX circuit breakers come in a range of connectivity tiers to fit your growing needs. Whether you start with the standard EvoPacT HVX, EvoPacT HVX Active or EvoPacT HVX Active Plus, sensors, monitoring and control features are easily scaled. Upgrading is a smooth process, available when your facility is ready.



Thermal monitoring (TH110)

Wireless thermal sensors help detect temperature anomalies, prompting diagnosis of potential faults, reducing downtime and fire risks.



Vacuum Interrupter monitoring (VI110)

Vacuum interrupter wear is traditionally measured regularly, so monitoring its condition naturally forms an essential part of CB health.



Circuit breaker monitoring (BM100)

With many sensors connected, BM100 plays a crucial role in consolidating condition monitoring data to report overall wear and tear.



Operation mechanism monitoring (MC110)

The operating mechanism features a dedicated sensor which monitors the operating speed and the impact of mechanical wear, an essential indicator.



Circuit breaker alignment (TS110)

With remote or nearby racking features, aligning the CB is important to ensure optimum engagement with cradles and power connections.



Motor control and monitoring (MCM100)

This device manages the monitoring and control of all motorized functions to ensure that remote operation performs as intended.



Shunt release monitoring (MX/XF/MN)

Shunt or coil health visibility is essential for safe and reliable operation when using electrical or remote controls.



EcoStruxure Panel Server (PAS600)

Gateway, providing connection of wired or unwired smart IoT devices to edge control software or cloud application.



Digital Logbook (QR code)

Quickly connect by QR code to access a dedicated digital logbook, manuals, support and more, designed to save operational time and effort.



EcoCare Membership⁽¹⁾

Take the best benefits from a digital CB with a data-driven maintenance and support plan, designed to save operational costs and time.

(1) Please contact your local Schneider Electric representative to verify the availability of EcoCare / [EcoStruxure Service Plan](#) in your region.

Make a predictive impact with our asset management services

Our capabilities are packaged into a suite of integrated services offers.

Asset Management Strategy



EcoConsult

Range of consulting services to design your asset management strategy and optimize your systems

DESIGN

BUILD

OPERATIONS

MAINTENANCE

UPGRADE

Active Electrical Assets & Systems

Digital ready equipment at CapEx phase



Cutting-edge Electrical Distribution Assets

#1 largest electrical asset installed base in the world

Condition-based Maintenance

Premium Support

24/7 Remote Monitoring

Membership Benefits

EcoCare

Pioneering AI engine & Data models

#1 most cumulative data set on electrical assets
150 Connected Service Hub experts monitoring electrical assets 24/7
+300 In-house Data Scientists in AI Hubs



EcoFit™

Circularity, Repairability

digital modernization and circularity services to extend the life of your assets to achieve your decarbonization targets



State-of-the-art IOT platforms & software

EcoStruxre IoT platform deployed in +480,000 Sites

Unique network of services experts

#1 largest network of electrical engineers in the world
+6,000 in-house electrical experts



Priority access to experts, remote monitoring and insights



Unlock today the potential of your connectable asset with EcoCare membership

With EcoCare membership, a next-generation service plan, you gain exclusive support for your equipment from day 1 and throughout its entire lifecycle. For minimal investment compared with your overall CapEx, you'll enjoy 24/7 remote monitoring and alarm management, and access to technical expertise, on-site and remotely, as defined by service level agreement (SLA).

This proactive approach helps reduce the risk of unexpected downtime and related costs, while enhancing uptime, safety and efficiency of your operations. EcoCare membership helps:

- Reduce by **up to 75 %** electrical failure risk and unplanned downtime¹
- Reduce by **up to 40 %** on-site maintenance activities and planned downtime costs²

A 3-tiered offer to cover all your needs

	EcoCare Essential	EcoCare Advanced	EcoCare Advanced+
Overview 	<p>Available when you need us</p> <p>As an EcoCare member you have exclusive access to resources and expertise to resolve issues faster and improve the resiliency and efficiency of your business and operations.</p> <p style="text-align: center;">✓</p>	<p>Fully empowered</p> <p>We empower your teams to run a resilient, safe, efficient, and sustainable operation by anticipating and remotely helping you mitigate downtime events.</p> <p style="text-align: center;">✓</p>	<p>Optimized uptime</p> <p>We anticipate risks of downtime to give you the right support at the right time, and we optimize the lifecycle of your assets to maximize your business continuity.</p> <p style="text-align: center;">✓</p>
Key features 	<ul style="list-style-type: none"> • Priority remote access to experts. • Exclusive EcoCare rates on all services. • On-site intervention SLA: standard or upgraded³. • 24/7 monitoring and alarming for connected assets. • Extended warranty⁴. 	<ul style="list-style-type: none"> • Priority remote access to experts. • Exclusive EcoCare rates on all services. • On-site intervention SLA: standard or upgraded³. • 24/7 monitoring and alarming for connected assets. • Extended warranty⁴. + Consultancy from our experts, with advanced analytics. 	<ul style="list-style-type: none"> • Priority remote access to experts. • Exclusive EcoCare rates on all services. • On-site intervention SLA: standard or upgraded³. • 24/7 monitoring and alarming for connected assets. • Extended warranty⁴. • Consultancy from our experts, with advanced analytics. + Recommendations for dynamic maintenance. + Condition-based maintenance.

1 - Percentage non-contractual and based on our experience and expertise for the main root cause of electrical failure risk observed and for which Schneider Electric has developed solutions.
 2 - Percentage non-contractual and based on the time between 2 manufacturer maintenance activities which can be extended by up to 2 years compared to a traditional calendar-based maintenance contract, from 3 to 5 years
 3 - Maximum zone coverage and response times might vary
 4 - Applicable for new and modernized equipment sold together with EcoCare
 Check with your local Schneider Electric Services representative



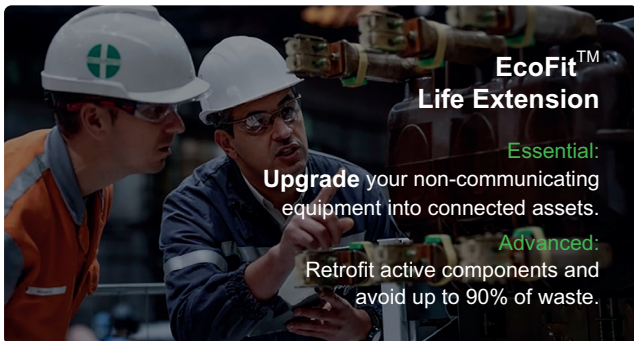
Modernization and circularity services

Extend the life of your equipment and reduce your environmental footprint with EcoFit™

We helps you make the right choice to revitalize your aging systems to balance between controlling the costs to maintain your installations and keep them running at peak performance.



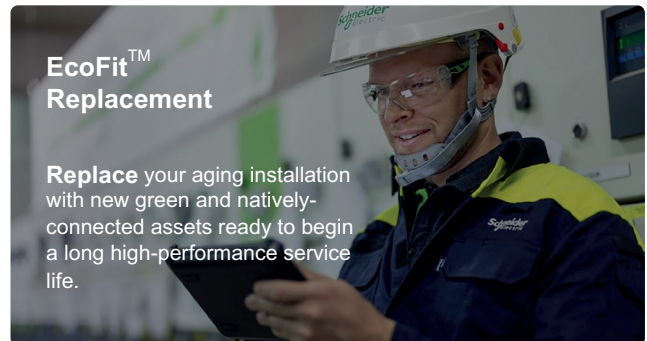
EcoFit™ is our approach to modernize the electrical, critical power, cooling and automation systems that keep your business running while strengthening your environmental credentials. Supported by our qualified services experts, you give new life to your aging equipment with low-carbon footprint solutions.



**EcoFit™
Life Extension**

Essential:
Upgrade your non-communicating equipment into connected assets.

Advanced:
Retrofit active components and avoid up to 90% of waste.



**EcoFit™
Replacement**

Replace your aging installation with new green and natively-connected assets ready to begin a long high-performance service life.



Asset life up to 25%

EcoFit™ can extend asset life by up to 25% reducing your carbon footprint.



Saving up to 90%

Retrofit only active components to save resources and reduce CO₂ emissions.



Take-back and recovery






We collect your assets and ensure their best circular value.



Consultancy services

Seize today, master tomorrow with EcoConsult

Ensure your assets and systems are future-ready with actionable insights designed to enhance safety, resiliency, digitization, efficiency, and decarbonization.

 <p>EcoConsult Audit</p> <p>Get actionable insights to improve the safety, resiliency of your assets and systems and to optimize your energy consumption.</p>	 <p>EcoConsult Electrical Digital Twin</p> <p>Map your electrical system with EcoConsult Electrical Digital Twin to pave the way to safety, resiliency and digitization journey.</p>	 <p>EcoConsult System Studies</p> <p>Help secure your system and equipment design, ensure that your personnel and electrical network are properly protected.</p>	 <p>EcoConsult Design</p> <p>Enjoy the best-in-class expertise of our design consultant for your installations</p>
 <p>EcoConsult for Data Centers</p> <p>A comprehensive consultancy portfolio tailored to help improve uptime, reduce total cost of ownership, and extend the useful life of critical assets within your Data Centers Infrastructure.</p>			

Complement your consultancy journey with mySchneider

a collaborative platform for easy prioritization, follow-up and implementation.

Get all your consultancy deliverables and all services in one repository and your installed base lifecycle status all at once!

- 

Dashboard overview
- 

Trainings
- 

Product information
- 

Installed base
- 

Contracts
- 

Service visits, work orders & reports
- 

Consulting

Overview

Field of applications	A-2
Longer service life	A-3
More uptime for your business	A-4
Reduce operational risks.....	A-5
Sustainability	A-7
What is EcoStruxure?	A-9
EcoCare Membership.....	A-12
EvoPacT HVX Connectivity Active Architectures..	A-14
EvoPacT HVX Connectivity Active Plus Architectures	A-15
EcoStruxure Connected product	A-16
EcoStruxure™ ready solutions	A-17



EvoPacT HVX field of applications

A

EvoPacT HVX is a range of Vacuum Circuit Breakers (VCB), addressing networks up to 24 kV, with up to 40 kA short circuit capacities and ranging from 630 A to 4000 A.

It is designed for use in Medium Voltage switchgear to connect primary power distribution consumers to the power grid, helping protect people and equipment in:



Infrastructure

Industrial buildings

- Manufacturing facilities
- Large warehouses



Commercial buildings

- Shopping malls
- Large office buildings
- High rise condominiums



Transportation

- Airports
- Railways



Critical Sites

- Data Centers (Co-location and Cloud)
- Hospitals



Electro Intensive Applications

- Mining, Minerals and Metals (MMM)
- Oil and Gas (O&G)
- Water and waste water

Longer service life

PM110796



EvoPacT HVX is designed for life

EvoPacT HVX digital circuit breakers are designed with more than 45 years of medium-voltage experience and manufactured using in-house, best-in-class components for a longer operational life

50,000x

Mechanical and electrical operations

- Proven to last three times longer than the industry standard for MV circuit breakers, making it unmatched in durability
- Built to withstand up to 50,000 mechanical and electrical operations⁽¹⁾
- Tested against all major international standards, including IEC, ANSI/ IEEE and GB/T

The long life expectancy of EvoPacT HVX is further enhanced by combining condition based maintenance plans using EcoCare membership⁽²⁾. When maintenance is scheduled based on real-life health monitoring of all major components, costs are optimized and operational life is extended even further, allowing a move to more predictive maintenance.

(1) Operations at normal rated current. 50 000 for 12/17.5 kV ; 30 000 for 24 kV.
 (2) Please contact your local Schneider Electric representative to verify the availability of EcoCare / [EcoStruxure Service Plan](#) in your region.

More uptime for your business

A

PM110181



EvoPacT HVX helps keep your business running

By shifting to condition based maintenance based on health data, EvoPacT HVX circuit breakers help keep your business running with maximum uptime.

State-of-the-art, IoT-enabled sensors continuously monitor the health of the entire EvoPacT HVX circuit breaker in real time. From wear of vacuum interrupters, to operating coils and mechanism speed, the dedicated sensors alert you to abnormalities or health issues as soon as they happen.

A data-driven condition-based maintenance strategy helps avoid unplanned downtime:

- Detect potential issues early
- Investigate trends using wireless communication with regular updates
- Plan further actions at the best possible time to avoid loss of business
- Get recommendations and support from MV experts with EcoCare membership⁽¹⁾

EvoPacT HVX's comprehensive monitoring and control platform is accessible through a local or remote display or connected smart device.

Whether you're on-site or in the cloud, you can make decisions as soon as you get an alert. With EcoCare membership⁽¹⁾ and condition based maintenance you can save up to 40%⁽²⁾ in maintenance costs and time.

(1) Please contact your local Schneider Electric representative to verify the availability of EcoCare / [EcoStruxure Service Plan](#) in your region.

(2) Unplanned downtime and maintenance costs reduced when combined with EcoCare membership.

40%

reduction in maintenance costs and time

Reduce operational risks

PM110787



EvoPacT HVX helps you operate outside of the arc flash zone

With innovative features, EvoPacT HVX uses digital features to help mitigate risks for facilities and the people who work in them.

Get

24x7

Alerts

Digital tools enable new working practices

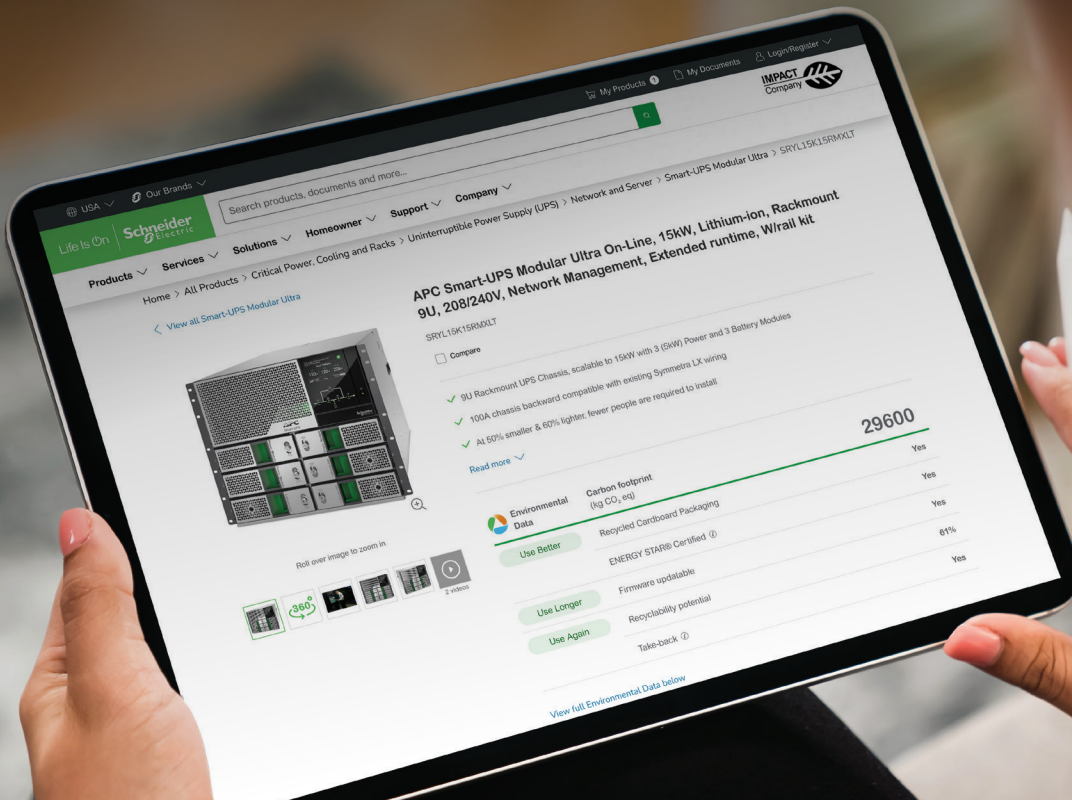
- Operation can be automated or time-delayed to allow users time to move out of the arc flash zone.
- To aid arc flash prevention, receive 24/7 alerts for fire risk, health recommendations or circuit breaker alignment.
- Remain at a greater distance while operating live equipment, with digital monitoring and control through a connected smart device or local HMI.

Detect incidents and get recommendations

In addition to a robust interlocking systems that can be equipped with padlocks and keylocks, EvoPacT HVX's embedded sensors help you detect health or abnormal conditions before they escalate. Working together with innovative features, to provide guidance, support and recommendations for operators to help minimize risks.



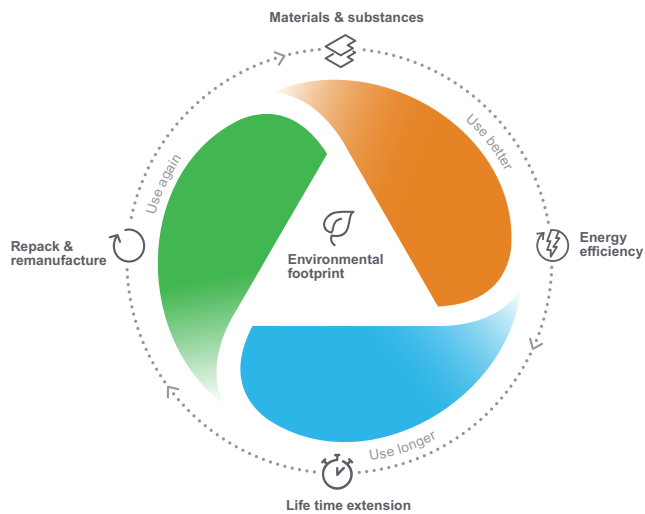
Environmental Data Program



Next-level transparency for better-informed product choices

The Environmental Data Program is a framework for how we measure, categorize, and compare the environmental attributes and footprint of our products. Using a rigorous, fact-based methodology, the program provides environmental data from across the product lifecycle.

Five data categories across the product lifecycle



Use Better: How sustainable a product is, including environmental footprint, materials and substances, packaging, and energy efficiency.

Use Longer: How a product's life time can be effectively extended in terms of reparability and updatability.

Use Again: How a product can be reused, from dismantling and remanufacturing to recyclability and manufacturer take back.

With this transparent, verified data, customers and partners are empowered to make conscious environmental choices and accurately evaluate and report on sustainability performance.

All our hardware offers have an associated environmental data available on se.com product pages.



Learn more about the **Environmental Data Program**

Sustainability

Environmental & quality performance

PM1102393



Long-term sustainability

Further to our Green Premium and Cradle to Cradle certifications, EvoPacT HVX brings much more to help strengthen sustainability and reduce the impact on the planet

Operational lifespan

x2

means less replacement,
less materials, less waste

Upgradeability

With a modular design, EvoPacT HVX can be upgraded easily, whether you need additional monitoring and control components or replacement coils due to heavy usage, your circuit breaker can quickly and easily evolve with your business.

Durability

EvoPacT HVX's durable design is tested in real-life conditions (not simulated) to 30,000 operations, electrically and mechanically. That means double (x2) the operational lifespan of the previous generation of VCBs, so you replace your breaker less often, lowering environmental impact while reducing overall maintenance and costs.

Green & Digital

Our latest portfolio uses innovative digital features that save you time and costs, together with air-based breaking techniques as key foundations. Following this methodology, EvoPacT HVX uses only lower air-based Vacuum breaking technology with no gas to perform our best ever VCB ratings and to enhance safety while avoiding environmental pollutants.

Sustainability

Environmental & quality performance

A

PM110115



Cradle to Cradle - A concept for the circular economy

Inspired by nature

Cradle to Cradle is a design concept inspired by nature, in which products are created according to the principles of an ideal circular economy. This means that all parts of a product can be reused at the end of their life cycle and there is no waste. Particular attention is paid to the health of the material, which helps to ensure that no toxic substances are used.

Cradle to Cradle certification

When developing our products, we have been careful to develop environmentally friendly products and solutions for years. As the first company in the electrical industry, Schneider Electric has received the internationally recognized Cradle to Cradle certification in **silver** for its **EvoPacT HVX range of digital medium voltage vacuum circuit breakers** and has confirmed a recyclable product design. A holistic approach to the evaluation of product, process and company in 5 categories is pursued during certification. In addition to material health and the material cycle, the factors renewable energy, social responsibility and water management are also considered.

No waste, development for endless reuse

- Material Health: Selecting safer and healthier materials and chemicals
- Material cycle: No waste generation, development for endless reuse
- Renewable energy: Production energy from clean and renewable energy
- Social Responsibility: People and ecosystems are treated with respect
- Water management: Water is preserved as a precious resource

PM105396



Quality assurance

Schneider Electric incorporates a functional organization into each of its business units and manufacturing plants, the purpose of which is to provide a means of checking quality and monitoring compliance with standards. This procedure is:

- Uniform throughout all departments
- Recognized by many customers and approved organizations

PM105397



But above all, its strict application has allowed us to obtain the recognition of AFNOR certification, an independent organization delivering AFAQ quality mark.

The quality system for the design and manufacture of circuit breakers has been certified in conformity with the requirements of the ISO 9001:2015 quality assurance model.

Environmental performance

Schneider Electric is committed to a long-term environmental approach.

All necessary measures have been taken in conjunction with our services, suppliers, and subcontractors so that the materials used in the composition of the equipment comply with acceptable content levels of regulated substances as defined by regulations and directives. The production site is certified to ISO 14001.

In addition, the materials used in EvoPacT HVX, insulators and conductors, are identified and can easily be separated and recycled, as detailed in the "Product Environment Profile" file. An end-of-service-life manual details procedures for dismantling and processing components.

What is EcoStruxure?

Introduction

500 000

EcoStruxure™ has been deployed in almost 500 000 sites with the support of 20 000+ developers, 650 000 service providers and partners, 3 000 utilities, and connects over 2 million assets under management.

EcoStruxure™ ready



Efficient asset management

Boost your efficiency and reduce downtime using predictive maintenance tools



24/7 connectivity

Make better informed decisions with real-time data that is available everywhere, anytime



Enhanced safety

Advanced features designed-in and based on well-known designs, experience and technology.

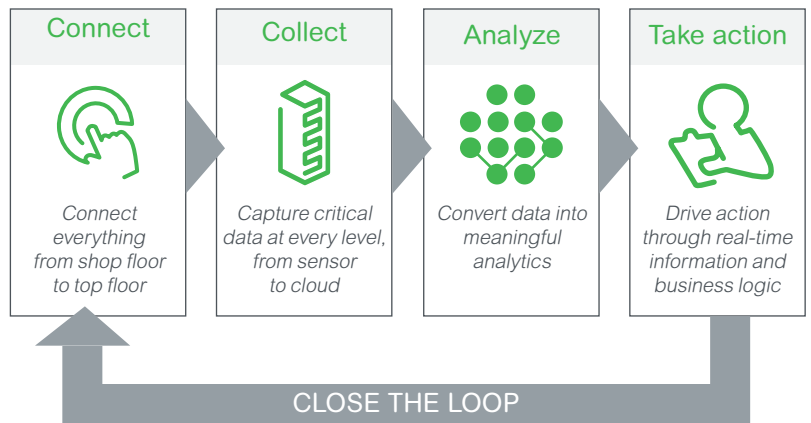
EcoStruxure™ is our open, interoperable, IoT-enabled system architecture and platform. EcoStruxure delivers enhanced value around **safety**, **reliability**, **efficiency**, **sustainability**, and **connectivity** for our customers. EcoStruxure leverages advancements in IoT, mobility, sensing, cloud, analytics, and cybersecurity to deliver Innovation at Every Level. This includes Connected Products, Edge Control, and Apps, Analytics & Services which are supported by Customer Lifecycle Software.

Turn data into action

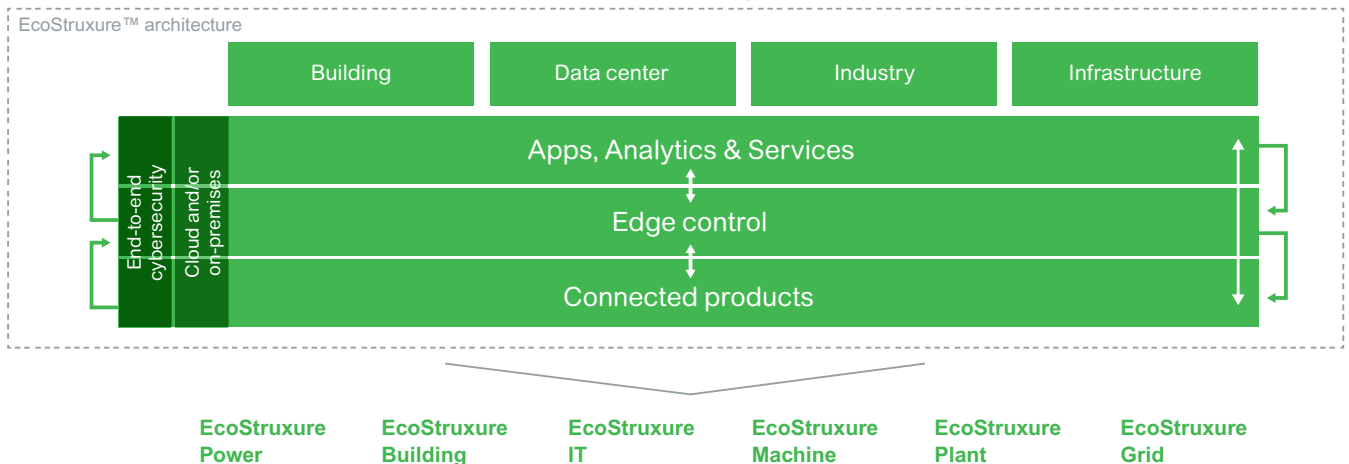
EcoStruxure™ architecture lets customers maximize the value of data.

Specifically, it helps them:

- Translate data into actionable intelligence and better business decisions
- Take informed decisions to help secure uptime and operational efficiency thanks to real-time control platforms
- Gain visibility to their electrical distribution by measuring, collecting, aggregating, and communicating data



DM106583



What is EcoStruxure?

EvoPacT HVX Active and EvoPacT HVX Active Plus

A



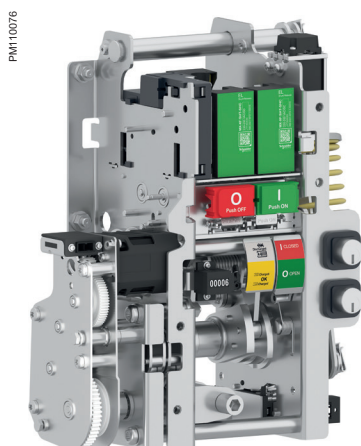
Future ready by default

Digitization provides an opportunity to take real benefits of data, cloud and analytics with power system equipment. Schneider Electric offers extensive digital benefits and future ready configurations by default in the standard product.

- EvoPacT HVX has been designed with embedded IoT sensors that monitor all critical components and connections needed to assess the complete circuit breaker health.
- Essential data can be easily shared via on-premises or on-cloud architectures, connected to various applications to help users benefit from data.
- Nearby or remote connectivity allows users to monitor or control power system equipment from a safer distance, without even visiting the substation
- 24/7 data helps maintenance teams greatly improve efficiency and reliability. Respond to problems faster, and be better prepared for site visits.

Not only connected by default, IoT data enables optional EcoStruxure digital solutions and services such as EcoCare membership / EcoStruxure Service Plans⁽²⁾.

Find more information [Here](#)



Through digital functionalities, EvoPacT HVX brings new opportunities and visibility based on data. We provide 3 scalable tiers of connected features that are easily upgraded to meet your evolving needs.

EvoPacT HVX Active

React faster to help prevent unplanned downtime with a 24/7 connected circuit breaker. Essential condition monitoring provides scalable features and smart alerts.



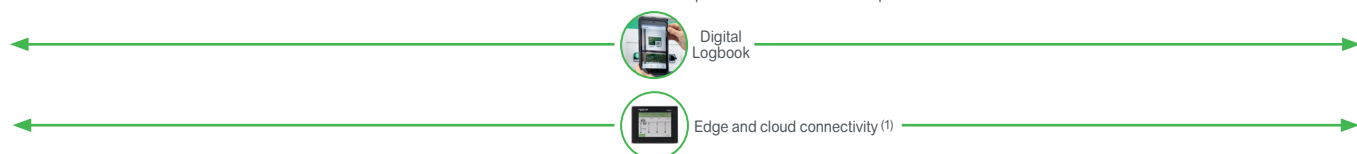
Essential condition monitoring:
 Thermal + Auxiliary circuit + Breaker alignment + Operating mechanism + VI
 Optional: EcoCare membership⁽²⁾

EvoPacT HVX Active Plus

Comprehensive monitoring and control enables a fully connected breaker with health diagnosis and alerts from anywhere, as well as operation and racking through your local HMI or connected device.



Comprehensive monitoring & control:
 Thermal + Auxiliary circuit + Breaker alignment + Operating mechanism + VI
 CB Motorized truck & Earthing switch control
 Optional: EcoCare membership⁽²⁾



Optional

(1) Edge and cloud connectivity comprise the optional software offers:

- EcoStruxure Power Monitoring Expert
- EcoStruxure Power SCADA

(2) Please contact your local Schneider Electric representative to verify the availability of EcoCare / [EcoStruxure Service Plan](#) in your region.

What is EcoStruxure?

EvoPacT HVX Active and EvoPacT HVX Active Plus



Selection list		Active			Active Plus ⁽¹⁾
		A1 On-demand thermal monitoring	A2 Continuous thermal monitoring	A3 Thermal and essential breaker monitoring	AP Thermal and comprehensive breaker monitoring
Condition monitoring					
Thermal	CB power connections arms thermal monitoring	✓	✓	✓	✓
	Ambient temperature and relative humidity monitoring	✓	✓	✓	✓
	Busbar and cables connections thermal monitoring	✓	✓	✓	✓
	Temperature rise alarm according to temperature and current measuring		✓	✓	✓
Auxiliary circuit	Shunt release condition monitoring			✓	✓
	Spring charging motor condition monitoring			✓	✓
	Closing/Opening shunt releases current curve			✓	✓
Circuit breaker alignment	Circuit breaker power connection arms alignment monitoring			✓	✓
Operating mechanism	Circuit breaker Closing/Opening time				✓
	Circuit breaker bouncing time on closing ⁽¹⁾				✓
	Circuit breaker rebounding distance on opening				✓
	Circuit breaker closing/opening speed				✓
	Vacuum Interrupter contacts travel curve				✓
	Vacuum Interrupter contacts gap monitoring				✓
Vacuum Interrupter	Vacuum Interrupter contacts condition monitoring				✓
	Poles closing/opening synchronization ⁽¹⁾				✓
	Contact spring travel monitoring				✓
	Vacuum Interrupter contacts pressure monitoring				✓
Monitoring and control					
CB motorized functions	Motorized CB truck and earthing switch control and protection				✓
	Motorized CB Truck and earthing switch motors condition monitoring				✓
Other					
Digital Logbook	Stay connected with all project documentation and records	✓	✓	✓	✓
EcoCare membership⁽²⁾	Data-driven maintenance and support plan		✓	✓	✓

✓ As standard ✓ Optional

(1) Please contact Schneider Electric for availability.

(2) Please contact your local Schneider Electric representative to verify the availability of EcoCare / [EcoStruxure Service Plan](#) in your region.

EcoCare Membership

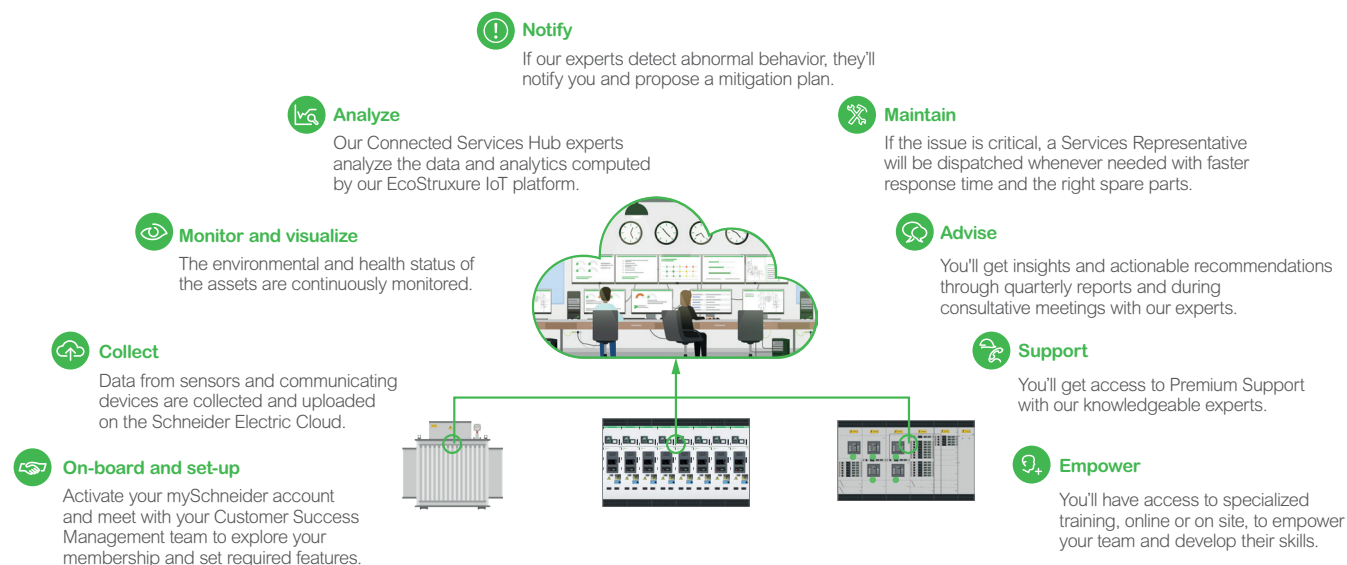
EvoPacT HVX Active or
EvoPacT HVX Active Plus



We help you optimize your electrical asset management. How?

Even the most reliable switchgear can face unforeseen failures in the early years of operation, often due to unpredictable external factors like installation environment and operational practices.

With **EcoCare membership**⁽¹⁾, a next-generation service plan, you gain **exclusive support for your equipment from day 1** and throughout its entire lifecycle. For minimal investment compared with your overall CapEx, you'll enjoy 24/7 remote monitoring and alarm management, and get exclusive and faster access to technical expertise, on-site and remotely.



Understanding the EcoCare features and benefits

		EcoCare Essential	EcoCare Advanced	EcoCare Advanced+
Support to operations	<ul style="list-style-type: none"> mySchneider portal Premium support Emergency support Customer success management 	✓	✓	✓
Workforce empowerment	Access to online training courses	✓	✓	✓
Exclusive Benefits	Members rates on other services: on-site intervention, advanced trainings, spare parts and more ⁽²⁾	✓	✓	✓
	24/7 monitoring and alarming	✓	✓	✓
	Consultancy by our experts and quarterly reports	-	✓	✓
	Condition-based maintenance	-	-	✓
	Partial discharge monitoring for medium voltage switchgear	-	Option	Option
	Advanced transformer oil monitoring	-	Option	Option
Extended warranty		✓	✓	✓
On-site maintenance	Manufacturer calendar-based maintenance visits with asset diagnostic	Option	Option	-

Why become an EcoCare member?

- Simplified operations** with online asset condition monitoring and alarming.
- Help prevent fires** with continuous thermal monitoring.
- Increased asset uptime** with predictive analytics, remote, and on-site manufacturer expertise.
- Faster issue resolution** with 24/7 remote technical assistance.
- Optimized operational budget** with a condition-based maintenance strategy.
- Improved asset's lifetime**, helping to avoid carbon emissions.

(1) If [EcoCare](#) is not available in your region, leverage [EcoStruxure Service Plan](#).
 (2) Check with your local Schneider Electric services representative.

EcoCare Membership

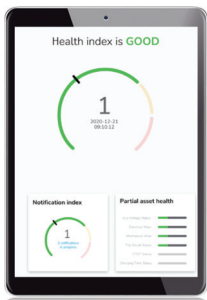
EvoPacT HVX Active or
EvoPacT HVX Active Plus



EcoCare Membership can help you reduce electrical failure risk and unplanned downtime by up to 75%⁽¹⁾, on-site maintenance and planned downtime costs by up to 40%⁽²⁾, and also extend your assets' lifespan to optimize costs and carbon emissions.



Electrical Fire Index



Asset Health Index



Partial Discharge Monitoring

Unlock the potential of your connectable asset with EcoCare membership

Scan the QR Code to learn more
Or visit our [webpage](#)



Reducing electrical fire event probability with Electrical Fire Index

Combined with a Monitoring Level, Electrical Fire Index **provides extra protection against electrical fire events** in your installation.

- Based on field data and advanced analytics enabled by 24/7 monitoring of potential source of fire
- You receive alarm notifications and have access to the level of risk and localization in the equipment
- When the Electrical Fire Index increases, experts from the Connected Services Hub analyze the situation, and if needed, call you to propose a corrective action and/or an intervention of by a qualified Services representative.

Reinforcing electrical uptime with Health Index

The **criticality of each asset** is defined with each customer, taking into account the impact of potential downtime on their process.

The system provides:

- A Health Index for each connected asset and an overall site Risk Index
- Advanced analytics enabled by 24/7 asset monitoring
- Alarm notifications and easy access to data via mobile app and web portal
- When the Asset Health Index evolves, experts from the Connected Services Hub analyze the situation and provide actionable recommendations to help you reduce risk of downtime and optimize your assets' lifespan.

Reinforcing electrical uptime and minimize earlier degradation with Partial Discharge monitoring

Partial discharge is a localized electrical discharge which affects insulation, impacting equipment and business operations uptime, and lifespan since it's an **early indicator of equipment degradation**.

When Partial discharge sensor (PowerLogic PD100) is installed in medium-voltage switchgear with Active Plus connectivity, we can monitor this critical phenomenon as an **optional feature** in your EcoCare membership with:

- 24/7 monitoring and alarming with easy access to data through our mobile app and web portal
- Dedicated and specific monitoring by our Experts
- Detection of all types of Partial Discharge (Corona, surface or internal discharge)
- Advanced analytics to monitor trends and environmental conditions.

Moving to Condition-based maintenance with Maintenance Index

EcoCare Advanced+ helps you move from calendar to condition-based maintenance.

- By default, maintenance cycle might be potentially extended from 3 up to 5 years for assets connected to our EcoStruxure IoT platform
- Our team of remote experts provides recommendations and propose a dynamic maintenance management
- They leverage the Maintenance Index, our innovative analytics based on stress, wear and aging indicators, that continuously **controls the date of the next recommended maintenance** of each connected asset
- The Maintenance Index is also visible to you, along with associated dashboard, insights and notifications.

(1) This percentage is non-contractual and is based on our experience and expertise for the main root cause of electrical failure risk observed in low and medium-voltage equipment and for which Schneider Electric has developed solutions.

(2) This percentage is non-contractual and is based on the time between two manufacturer maintenance activities for low and medium voltage equipment which can be extended by up to 2 years compared to a traditional calendar-based maintenance contract, from 3 to 5 years.

EvoPacT HVX Connectivity Active Architectures

Digitally native with essential monitoring

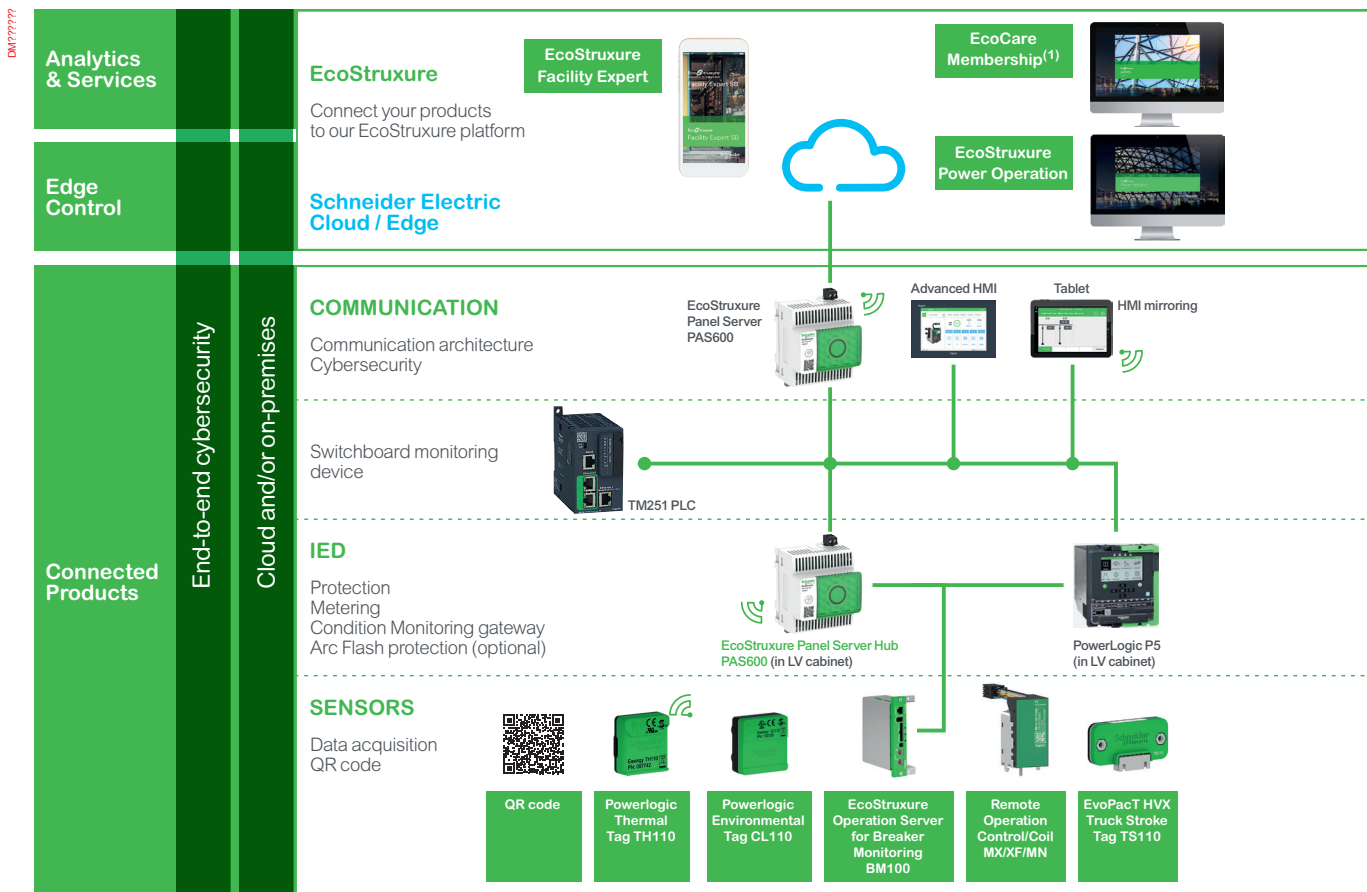
A

- **24/7 connectivity**
Real-time remote data for effective decision making, anywhere, anytime.
- **Efficient asset management**
Increase uptime while also reducing maintenance costs and risks.

Active features

The Active tier features EvoPacT HVX with various levels of circuit breaker health monitoring which can be accessible at the switchgear, Edge or Cloud levels, connected 24/7. It provides:

- Thermal monitoring
- Environmental monitoring
- Circuit breaker monitoring
- QR Code access to a Digital Logbook and product information via [Asset Lifecycle Management](#)
- Optional services:
- Connectivity gateway to SE Cloud
- [EcoCare Membership^{\(1\)}](#)



(1) Please contact your local Schneider Electric representative to verify the availability of EcoCare / [EcoStruxure Service Plan](#) in your region.

EvoPacT HVX Connectivity Active Plus Architectures

Comprehensive monitoring & control

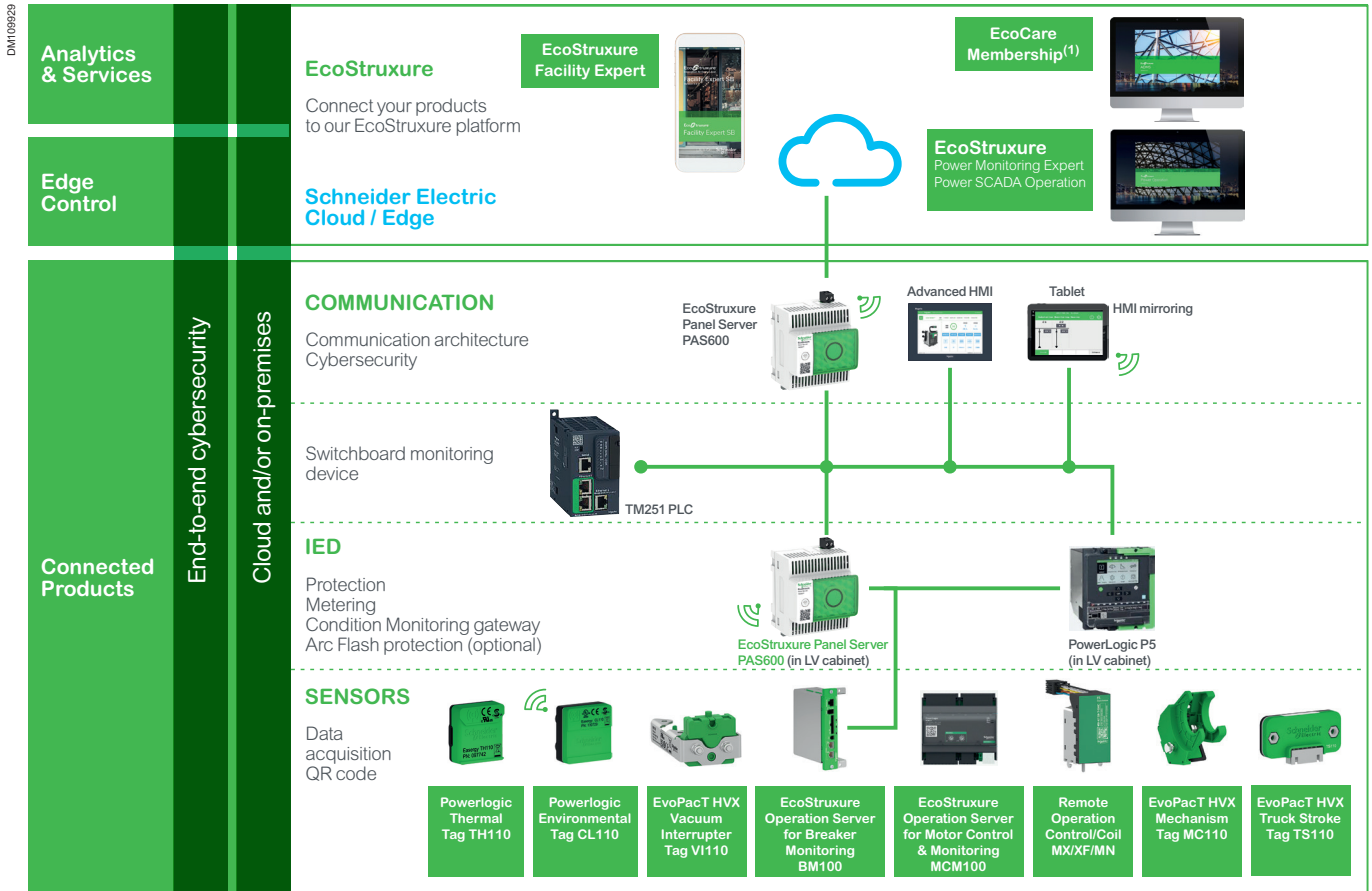


- **Helping enhance safety**
For both operator and equipment by featuring nearby operations.
- **24/7 connectivity**
Real-time remote data for effective decision making, anywhere, anytime.
- **Efficient asset management**
Increase uptime while also reducing maintenance costs and risks.
- **Open Intelligence Edge Layer**
Decision and Control capabilities from Edge layer for all devices.

Active Plus features

In addition to Active, the Active Plus tier features control capabilities that enable nearby operation and also guide users to enhance efficiency and safety.

- Nearby operations
- Thermal monitoring
- Circuit breaker monitoring
- Connectivity gateway to SE Cloud
- QR Code access to a Digital Logbook and product information via Asset Lifecycle Management
- Optional services:
[EcoCare Membership^{\(1\)}](#)
- Local edge monitoring & control:
[EcoStruxure Power Monitoring Expert](#)
- [EcoStruxure Power Operation](#)



(1) Please contact your local Schneider Electric representative to verify the availability of EcoCare / [EcoStruxure Service Plan](#) in your region.

EcoStruxure Connected product

Offer structure

A



PM119826
BM100



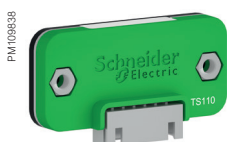
PM110769
MCM100



PM109836
MC110



PM110013
VI110



PM105838
TS110

EcoStruxure Operation Server BM100

This intelligent electronic device monitors the health status & proper function of the circuit breaker by measuring several critical parameters during its lifetime. It receives information from various internal components then analyses those measurements to identify meaningful information of circuit breaker health for the following parameters:

- Health of circuit breaker mechanism
- Health of vacuum interrupter
- Health of shunt opening/closing release
- Health of charging motor
- Proper engagement of racking device

In the event of abnormality, it provides alarms for users to take the necessary actions to help prevent unwanted shutdowns.

EcoStruxure Operation Server MCM100

Main features:

- Optimized Motor Control (2 to 4 Motors)
- CB Open/Close Control
- Interlocking Motor/CB - GIS or AIS
- Motor Protection
- Motor Aging Monitoring
- Alarm local signalization (DO NO/NC)
- CE, ULR, NB T42044-2014

EvoPacT Mechanism Tag MC110

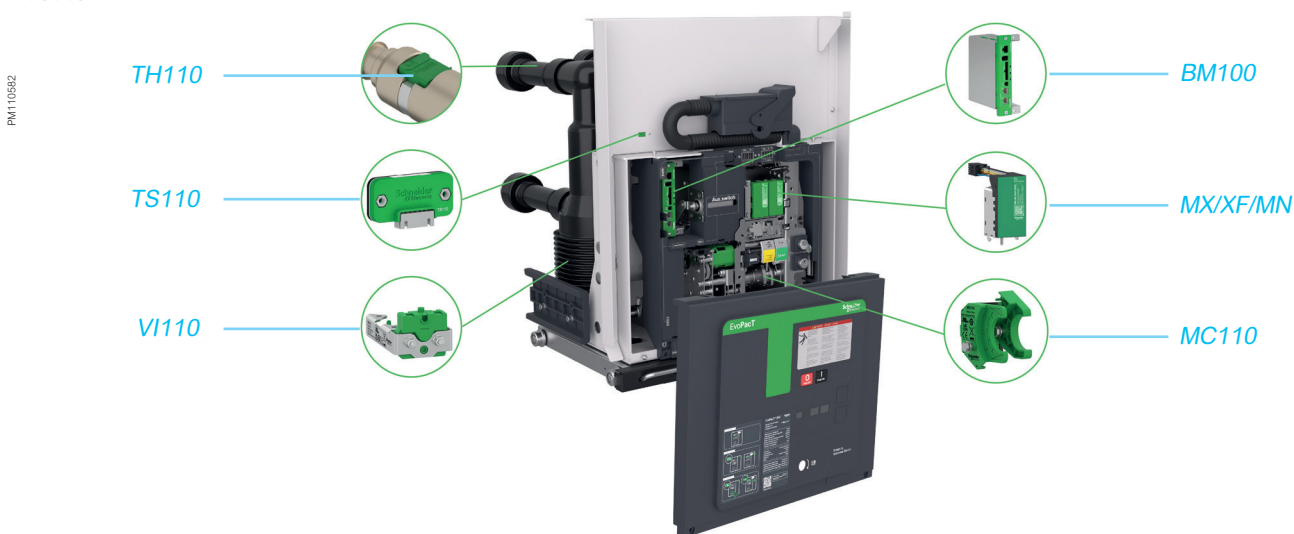
This sensor is mounted on the mechanism shaft to measure the speed of the mechanism, used to calculate mechanism wear and health.

EvoPacT Vacuum Interrupter Tag VI110

This sensor measures the primary contacts mechanical wear and synchronization of phase to provide known indication of vacuum interrupter health.

EvoPacT Racking truck sensor TS110

This sensor, mounted on the front frame of the circuit breaker, monitors the CB position to indicate good connection and alignment between the circuit breaker arms and cubicle bus bars.

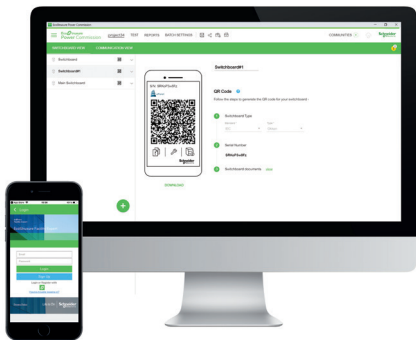


EcoStruxure™ ready solutions

EcoStruxure™ Power Device App & Digital Logbook



Free download
EcoStruxure Power Device on:



Introducing Power Device App

EcoStruxure Power Device App is a single app to operate and maintain power distribution equipment from Schneider Electric.

It allows users to use a mobile device such as tablet or smartphone to interact with designated protection relays, circuit breakers and applications in medium and low voltage applications. In a single mobile app, all necessary information to efficiently operate your enabled equipment by wireless connection, from a safer distance, outside of the arc flash zone for enhanced safety and convenience.

Features include:

- Thermal monitoring
- Environmental monitoring
- Circuit Breaker monitoring
- Partial Discharge Monitoring (requires EcoCare membership)
- Connectivity gateway to Schneider Electric cloud.

EcoStruxure Facility Expert: Digital Logbook

The digital logbook is an easy to use collaborative tool that keeps record of important documentation and maintenance schedules.



Enjoy convenient digital access to user manuals, single-line drawings, photos, factory and site acceptance tests, spare parts lists, and more



Share information with your professional partners



Get things organized and achieve a common goal



Create clear and consistent documentation



Identify key responsibilities and points of contact at different project stages



Eliminate conflicting or missing information

Overview

A

Range description

General characteristics.....	B-2
Operating conditions	B-3
Vacuum interrupters	B-4
Fixed Circuit Breaker dimensions	B-5
Withdrawable Circuit Breaker dimensions	B-11

B

General characteristics

According to IEC 62271-100:2021
Main electrical characteristics:

Common characteristics

Rated voltage	Ur	kV	12						17.5						24																	
Rated frequency	fr	Hz	50/60																													
Rated short-duration power frequency withstand voltage (1 min)	Ud	kV	28						38						50																	
Rated lightning impulse withstand voltage	Up	kV	75						95						125																	
Rated operating sequence	O-3 min-CO-3 min-CO / O - 0.3 s - CO - 15 s - CO (fastest one)																															
Phase distance	mm	150		210			275			150		210			275			210		275												
Rated short-circuit breaking current	Isc	kA	25	31.5	25	31.5	40	25	31.5	40	25	31.5	25	31.5	40	25	31.5	40	25	31.5	25	31.5	40	25	31.5	25	31.5	40				
Rated continuous current	I _r	630 A	•	•	•	•					•	•	•	•					•	•	•	•					•	•	•	•		
		1250 A	•	•	•	•	•				•	•	•	•	•					•	•	•	•					•	•	•	•	
		1600 A			•	•	•	•	•					•	•	•	•	•					•	•	•	•					•	•
		2000 A			•	•	•	•	•					•	•	•	•	•					•	•	•	•					•	•
		2500 A							•	•	•												•	•	•						•	•
		3150 A							•	•	•												•	•	•						•	•
4000 A							•	•	•												•	•	•						•	•		
Rated short-time withstand current	I _{lk}	kA	25	31.5	25	31.5	40	25	31.5	40	25	31.5	25	31.5	40	25	31.5	40	25	31.5	25	31.5	40	25	31.5	25	31.5	40	25	31.5	40	
Rated duration of short-circuit	t _k	s	3																													
Rated peak withstand current	I _p	kA	65	82	65	82	104	65	82	104	65	82	65	82	104	65	82	104	65	82	65	82	104	65	82	104	65	82	65	82	104	
DC component of the short-circuit breaking current			52%																													
DC time constant	t	ms	45																													
Opening time			22...40																													
Closing time			36...60																													
Rated cable charging breaking current	I _c	A	25						31.5						31.5																	
Rated line charging breaking current	I _l	A	10																													
Rated back-to-back capacitor bank breaking current	I _{bb}	A	400																													
Rated back-to-back capacitor bank inrush making current (inrush frequency)	I _{bi}	kA	20 (4250 Hz)																													
Mechanical endurance	operations		50000 (≤1250 A and ≤31.5 kA)						50000 (≤1250 A and ≤31.5 kA)						30000																	
			30000 (≥1600 A and 1250 A 40 kA)						30000 (≥1600 A and 1250 A 40 kA)																							
Electrical endurance	Rated continuous current breaking times	operations	50000 (≤1250 A and ≤31.5 kA)						50000 (≤1250 A and ≤31.5 kA)						30000																	
			30000 (≥1600 A and 1250 A 40 kA)						30000 (≥1600 A and 1250 A 40 kA)																							
	Full capacity rated short circuit break current breaking times	operations	100						100						50																	
Circuit breaker classification			C2-E2-M2-S1																													

Operating conditions

According to IEC 62271-1:2021
Normal service conditions:

Operating conditions		
Ambient air temperature	Minimum value	-25 °C
	Maximum value	+40 °C
Altitude (maximum without derating)	Stand alone circuit breaker	1 000 m
Environment	No dust, smoke, salt corrosive or flammable gas or vapor	
Humidity	Average relative humidity over 1 month	≤ 90%

B

Other service conditions

If operated beyond the normal service conditions, the circuit breaker is submitted to accelerated aging.

The circuit breaker may only be used under conditions other than the normal service conditions with express written permission from Schneider Electric.

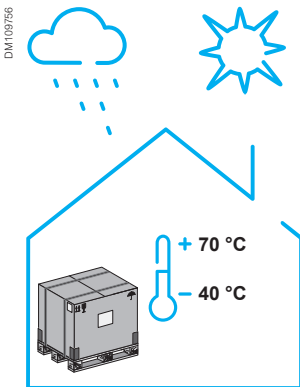
Storage

In order to preserve all of the device's characteristics when stored for prolonged periods, we recommend to store the device in its original packaging, in dry conditions and sheltered from the sun and rain at a temperature between -40 °C and +70 °C.

The maximum storage period is 12 months.

If the device was stored:

- Between 6 and 12 months: perform basic preventive maintenance to help ensure correct device operation
- Beyond 12 months: contact your Schneider Electric Service local representative for device check-up.

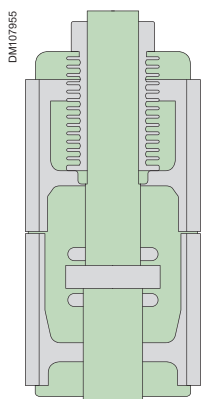


Vacuum interrupters

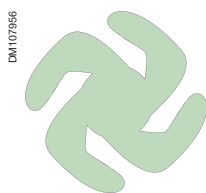
B



New Schneider Electric Vacuum Interrupter Bottles



Vacuum interrupters inside principle



Specific contacts shapes inside vacuum interrupters

The heart of the circuit breaker

Vacuum interrupters are the heart of a medium voltage circuit breaker: its electrical performance highly depend upon the vacuum interrupter characteristics and quality. They must convey and break the rated normal current as well as the rated short circuit current for the number of times specified by the manufacturer.

Brand new design

Schneider Electric has been designing and producing its own Vacuum Interrupters (VI) for 45 years and carries a unique know-how in this field.

Using a development process called Model based system engineering, we created a brand new range of vacuum interrupters. The process allowed innovative solutions to be implemented that improve the durability and lifespan of the VI including shape, contact shape, radial magnetic field petal shape and specific barriers to help protect the ceramics used in the VI body.

Designed to serve high performance and energy continuity

The result is a range of vacuum interrupters with high electrical performance, long life expectancy and high endurance in a compact volume.

Addressing needs of up to 4000 A nominal current and 40 kA short circuit breaking, the endurance is exceptional: up to 50,000 (nominal current) and up to 100 short circuit breaking operations.

The capacitive switching is also enhanced with C2 class for back to back capacitor installation.

The compact volume of the new VI allows an increased insulation distance within the circuit breaker, enhancing safety and smooth operation.

Strict quality controls

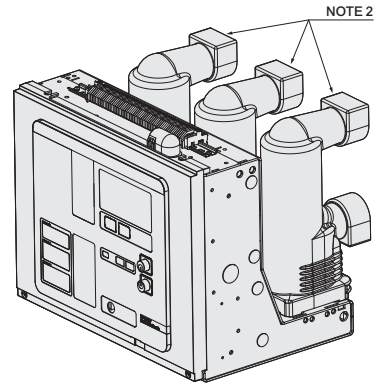
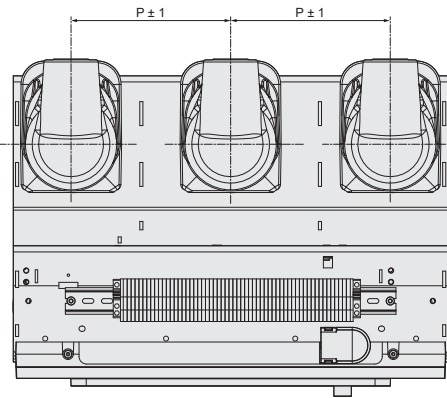
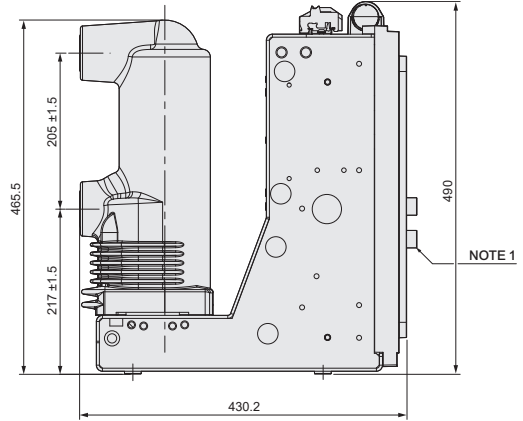
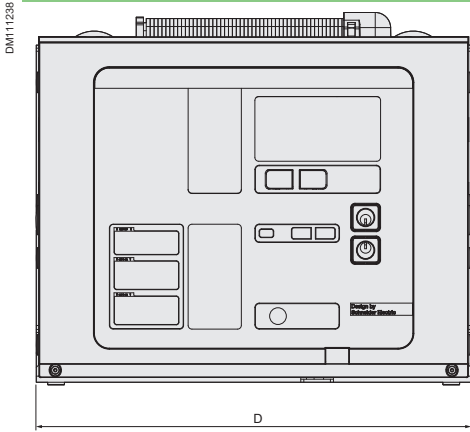
The manufacturing process uses best in class processes designed for a total vacuum inside the VI bottle. It uses techniques such as high temperature brazing and "getter materials" to absorb residual gas within a high quality sealed enclosure.

The "anti-twist" feature allows mounting of the vacuum interrupter inside the pole of the circuit breaker in an easy way to ensure high performance of the VI.

The new range of VI therefore exceeds requirements of all the main circuit breaker standards such as GB/T 1984-2014, DL/T 402-2016, IEC62271-100, IEEE C37.04-1999 and C37.06-2009.

Fixed Circuit Breaker dimensions 12/17.5 kV

12/17.5 kV, 630/1250 A, 25/31.5 kA



NOTE 1: Keylock is optional.

NOTE 2: Insulation cover required for VCBs with P = 150 mm only. The 6 insulation covers are to be installed by the customer.

NOTE 3: Refer to the outline drawing NNZ3758002 for complete dimensions.

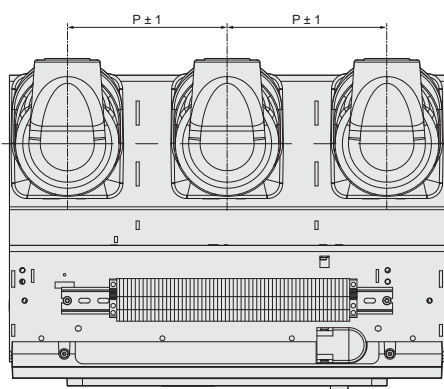
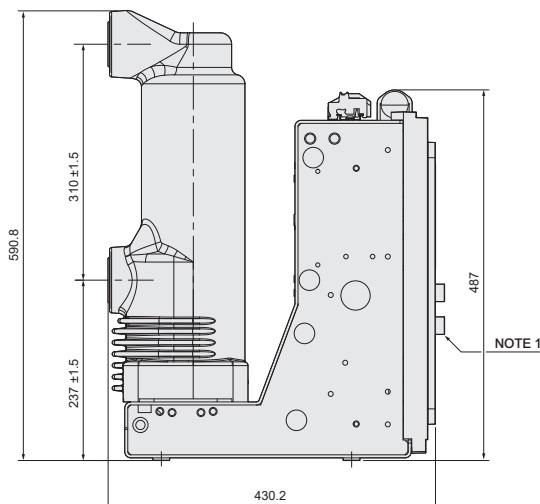
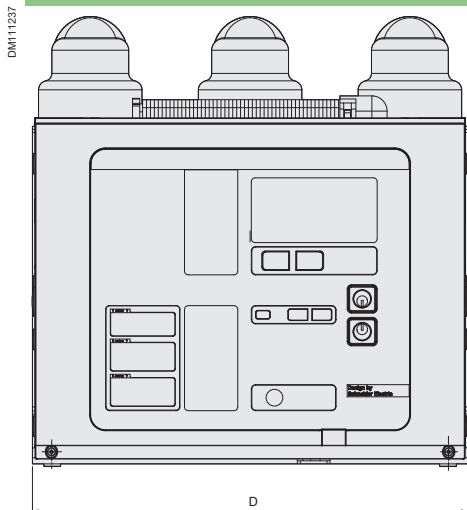
Rated current (A)	Rated short-circuit breaking current (kA)	P (mm)	D (mm)
630 / 1250	25 / 31.5	150	450
		210	572

B

Range
description

Fixed Circuit Breaker dimensions 12/17.5 kV

12/17.5 kV, 1250 A, 40 kA



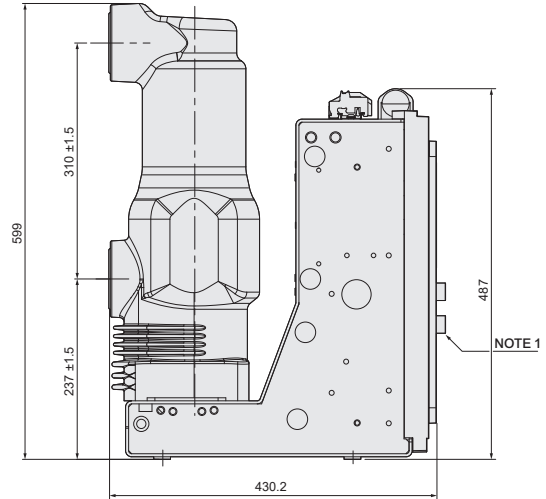
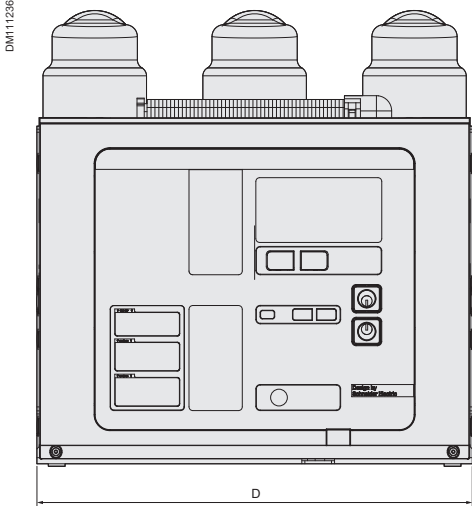
NOTE 1: Keylock is optional.

NOTE 2: Refer to the outline drawing NNZ3757602 for complete dimensions.

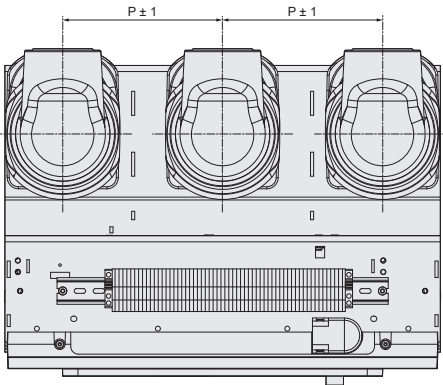
Rated current (A)	Rated short-circuit breaking current (kA)	P (mm)	D (mm)
630 / 1250	40	210	572
		275	700

Fixed Circuit Breaker dimensions 12/17.5 kV

12/17.5 kV, 1600/2000 A, 25/31.5/40 kA



B



NOTE 1: Keylock is optional.

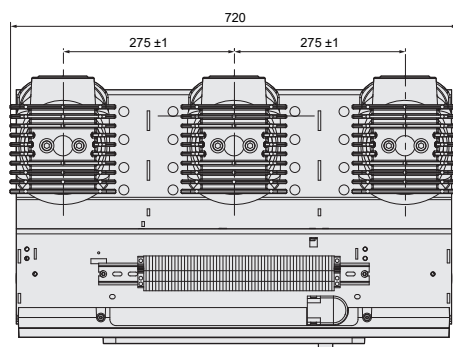
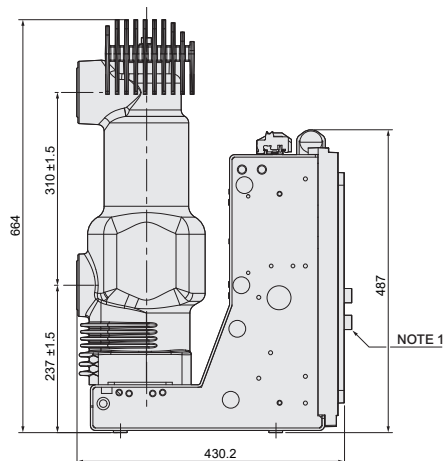
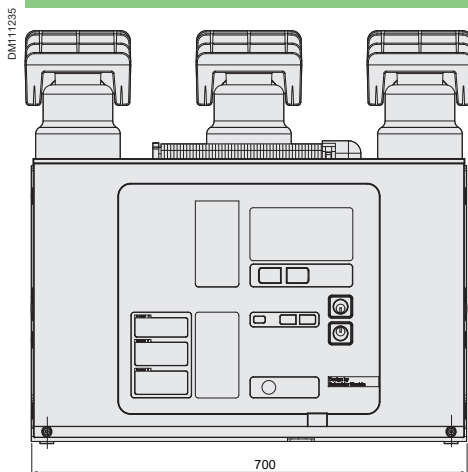
NOTE 2: Refer to the outline drawing NNZ3757402 for complete dimensions.

Rated current (A)	Rated short-circuit breaking current (kA)	P (mm)	D (mm)
1600 / 2000	25 / 31.5 / 40	210	572
		275	700

Range
description

Fixed Circuit Breaker dimensions 12/17.5 kV

12/17.5 kV, 2500/3150/4000 A, 25/31.5/40 kA

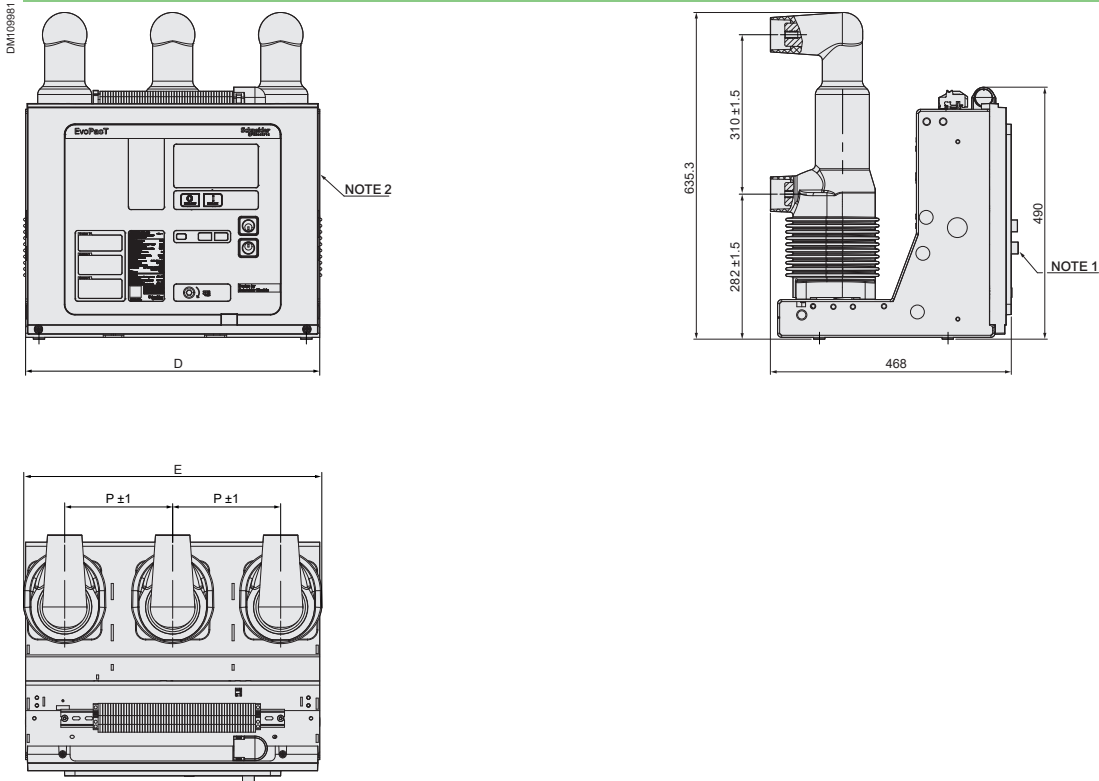


NOTE 1: Keylock is optional.

NOTE 2: Refer to the outline drawing NNZ3757502 for complete dimensions.

Fixed Circuit Breaker dimensions 24 kV

24 kV, ≤ 1 250 A, ≤ 31.5 kA



NOTE 1: Keylock is optional.
 NOTE 2: Refer to the Outline drawing PKR2098102 for complete dimensions.

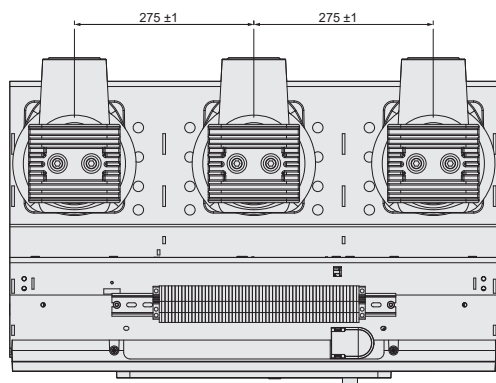
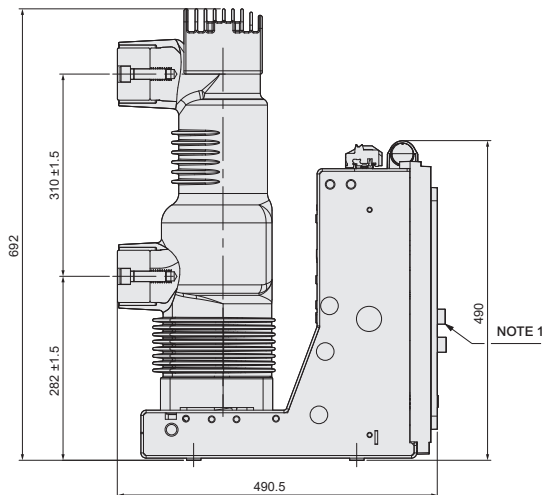
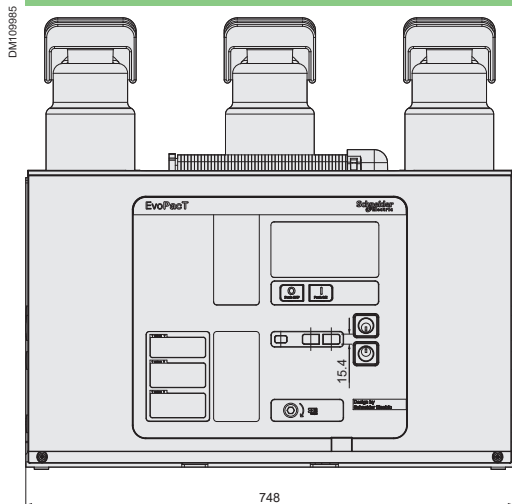
Rated current (A)	Rated short-circuit breaking current (kA)	P (mm)	D (mm)	E (mm)
630 / 1250	25 / 31.5	210	572	580
		275	748	748

B

Range description

Fixed Circuit Breaker dimensions 24 kV

24 kV, 1600 A ... 3150 A, ≤ 31.5 kA

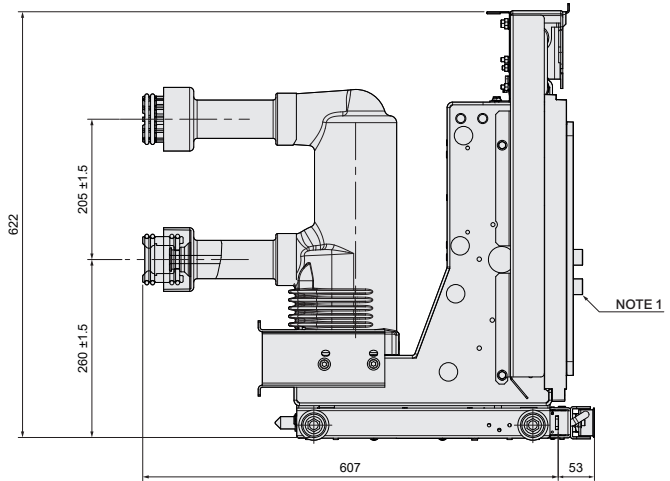
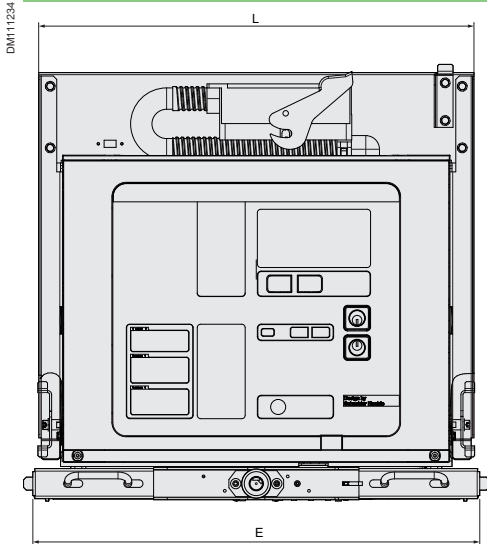


NOTE 1: Keylock is optional.

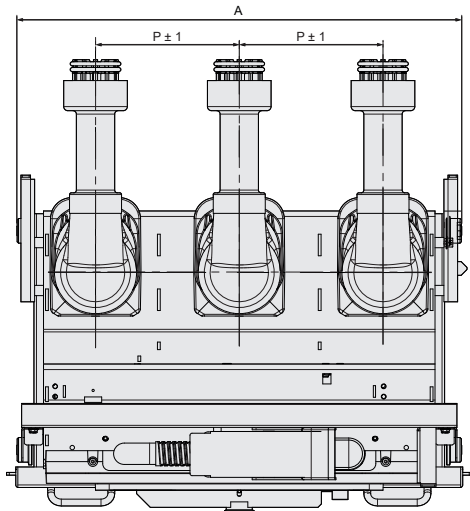
NOTE 2: Refer to the Outline drawing BRU1357602 for complete dimensions.

Withdrawable Circuit Breaker dimensions 12 kV

12 kV, 630/1250 A, 25/31.5 kA



B



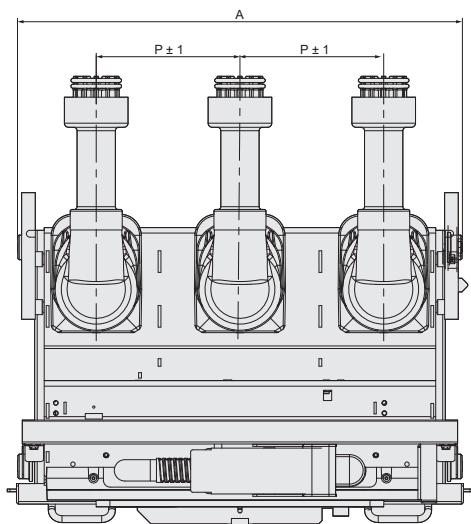
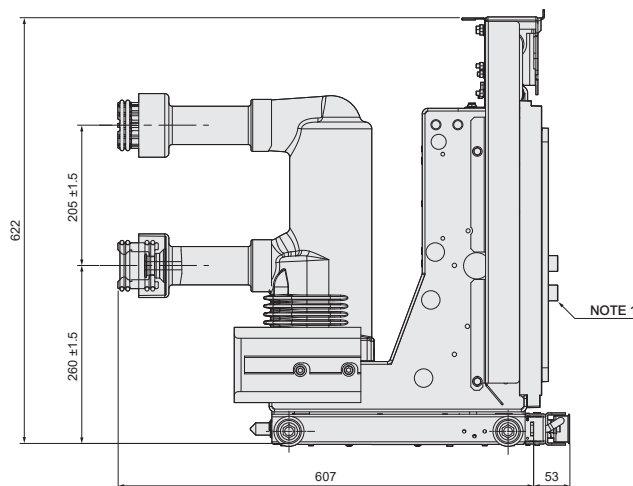
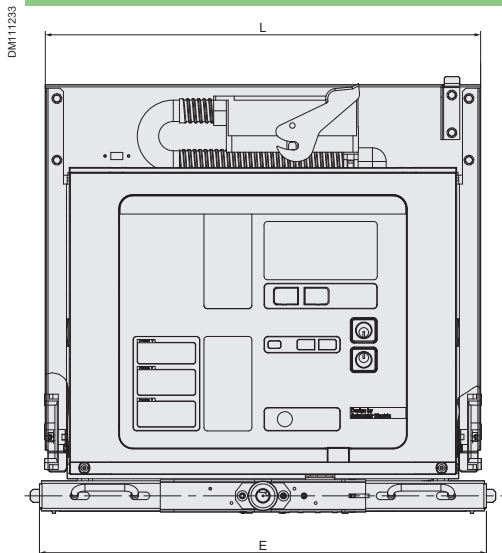
NOTE 1: Keylock and door interlock is optional
 NOTE 2: Refer to the outline drawing NAT1769802 for complete dimensions

Rated current (A)	Rated short-circuit breaking current (kA)	P (mm)	A (mm)	E (mm)	L (mm)
630 / 1250	25 / 31.5	150	500	503	492
		210	650	653	636

Range description

Withdrawable Circuit Breaker dimensions 17.5 kV

17.5 kV, 630/1250 A, 25/31.5 kA



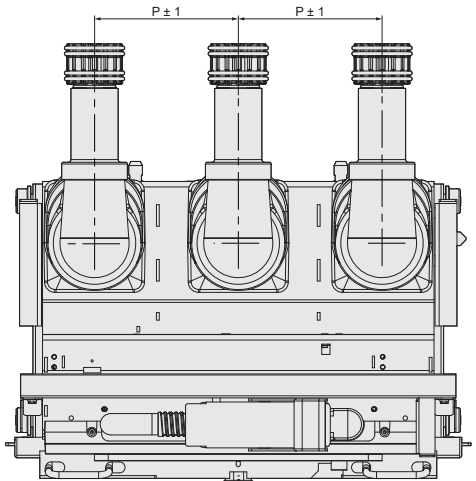
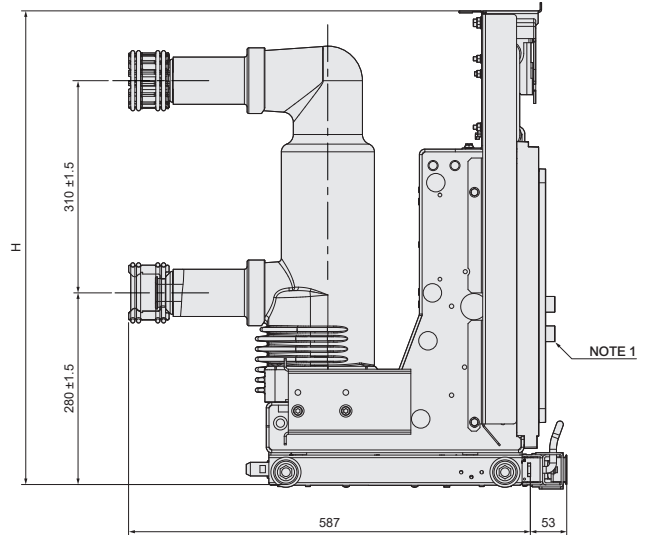
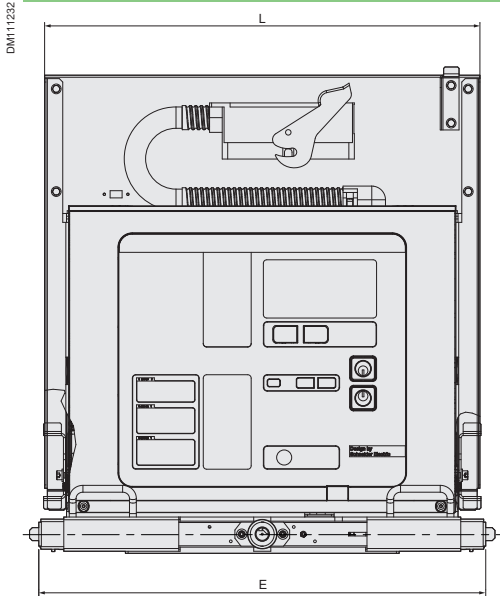
NOTE1: Keylock and door interlock is optional
 NOTE2: Refer to the outline drawing NAT1181502 for complete dimensions

Rated current (A)	Rated short-circuit breaking current (kA)	P (mm)	A (mm)	E (mm)	L (mm)
630 / 1250	25 / 31.5	150	500	503	492
		210	650	653	636

B

Withdrawable Circuit Breaker dimensions 12/17.5 kV

12/17.5 kV, 1250 A, 40 kA



NOTE 1: Keylock and door interlock is optional
 NOTE 2: Refer to the outline drawing NAT1652002 for complete dimensions

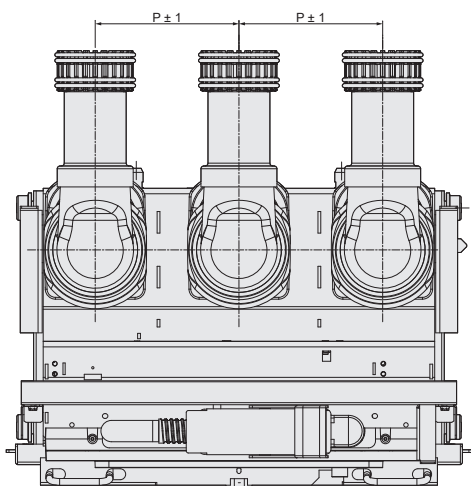
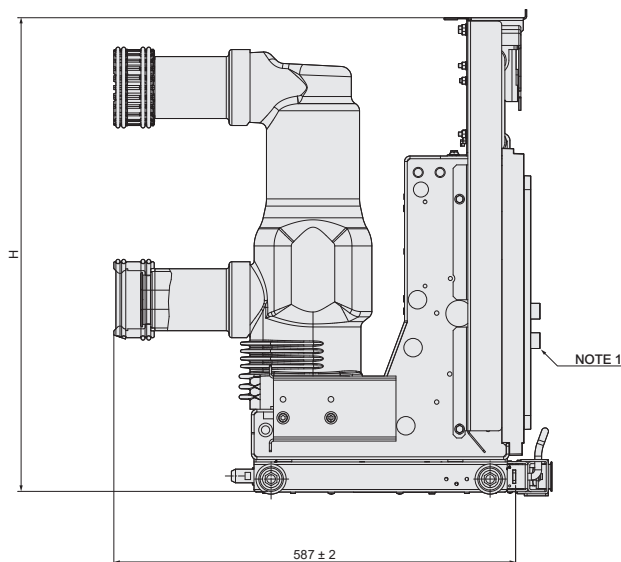
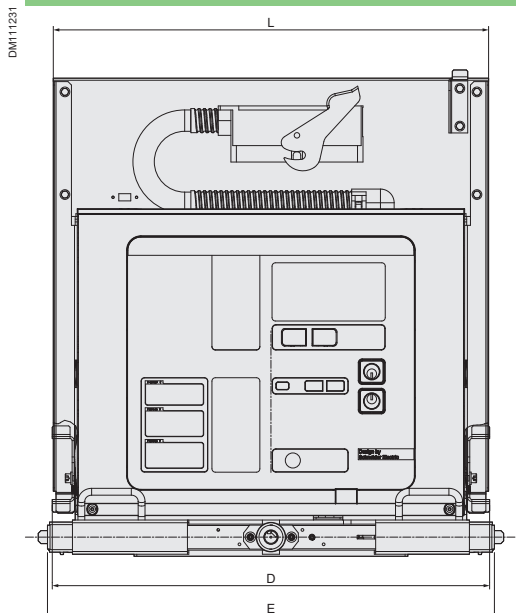
Rated current (A)	Rated short-circuit breaking current (kA)	P (mm)	D (mm)	E (mm)	L (mm)	H (mm)
630 / 1250	40	210	650	653	636	692
		275	850	853	842	730

B

Range description

Withdrawable Circuit Breaker dimensions 12/17.5 kV

12/17.5 kV, 1600/2000 A, 25/31.5/40 kA



NOTE 1: Keylock and door interlock is optional
 NOTE 2: Refer to the outline drawing NAT1652102 for complete dimensions

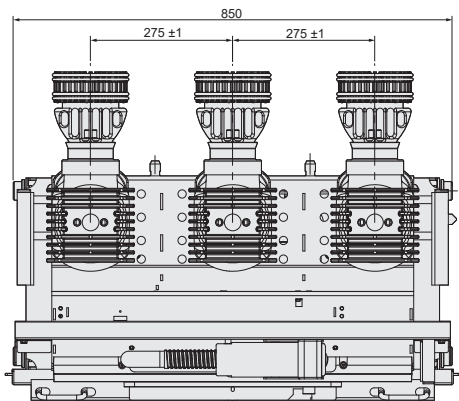
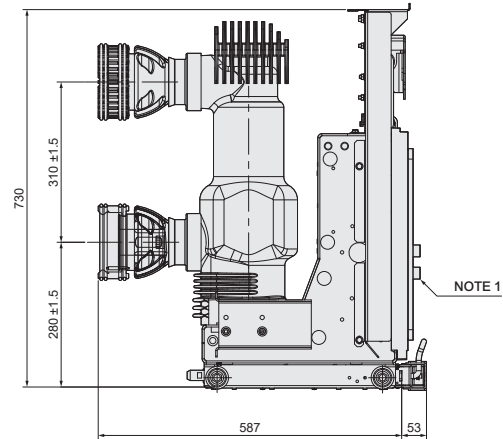
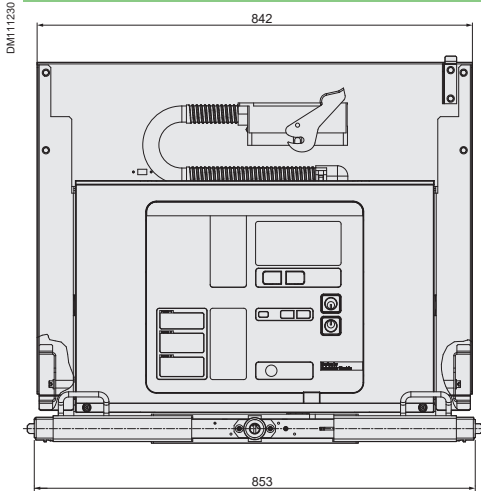
Rated current (A)	Rated short-circuit breaking current (kA)	P (mm)	D (mm)	E (mm)	L (mm)	H (mm)
1600 / 2000	40	210	650	653	636	692
		275	850	853	842	730

B

DM11231

Withdrawable Circuit Breaker dimensions 12/17.5 kV

12/17.5 kV, 2500/3150/4000 A, 25/31.5/40 kA



NOTE 1: Keylock and door interlock is optional

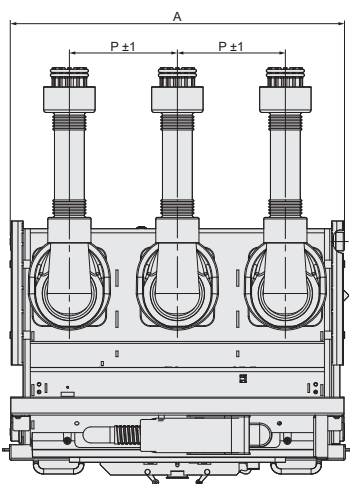
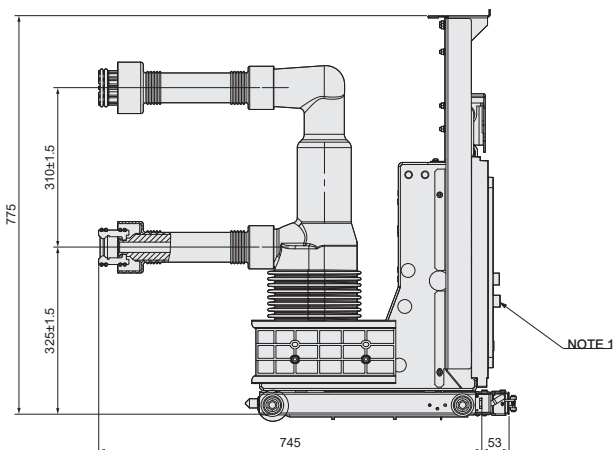
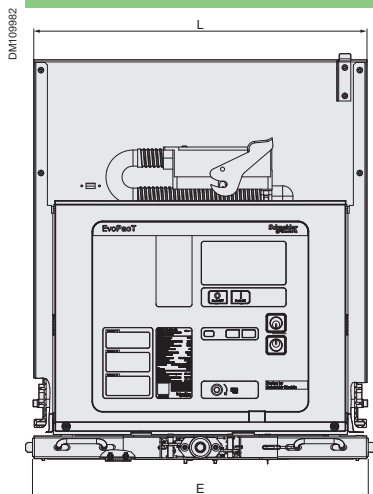
NOTE 2: Refer to the outline drawing NAT1536902 for complete dimensions

B

Range description

Withdrawable Circuit Breaker dimensions 24 kV

24 kV, ≤ 1250 A, ≤ 31.5 kA



NOTE 1: Keylock is optional

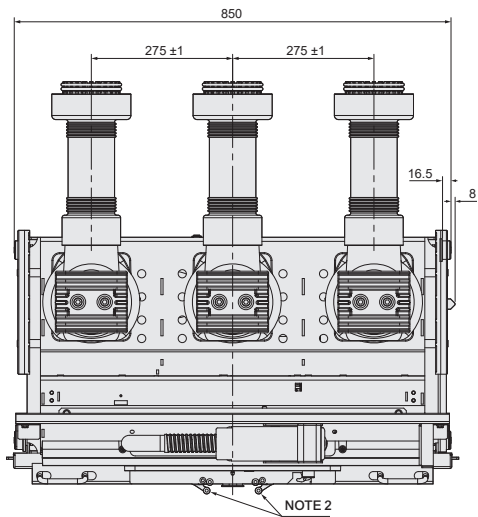
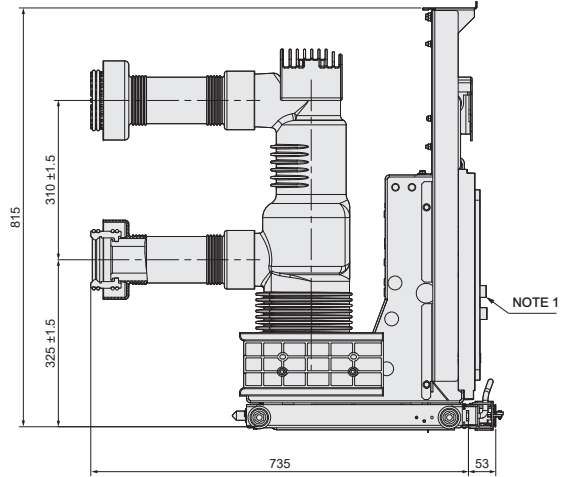
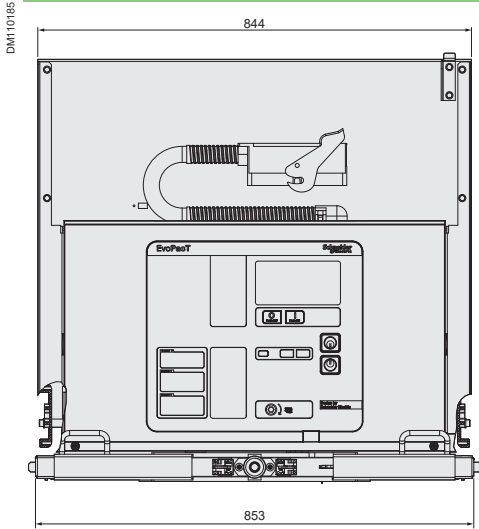
NOTE 2: Refer to the outline drawing PKR2219802 for complete dimensions

Rated current (A)	Rated short-circuit breaking current (kA)	P (mm)	A (mm)	E (mm)	L (mm)
630/1250	25/31.5	210	650	653	648
		275	850	853	844

B

Withdrawable Circuit Breaker dimensions 24 kV

24 kV, 1600 A ... 3150 A, ≤ 31.5 kA



NOTE 1: Keylock is optional
NOTE 2: Door interlock is optional
NOTE 3: Refer to the Outline drawing BQT5438302 for complete dimensions.

B

Range
description

B

Function and modules description

Overview	C-2
Opening and closing functions.....	C-4
Charging functions.....	C-6
Low voltage connection	C-7
Fixed and withdrawable type VCB wiring diagram.....	C-8
Racking truck.....	C-9
Interlock functions	C-10
Key locking functions.....	C-11



Overview

Fixed Circuit Breaker



PMT10663



PMT10664

Pushbutton and indicators

PMT10120



Opening Pushbutton

PMT10595



Closing Pushbutton

PMT10122



Main contact position indicator

PMT10123



Spring charged and ready-to-close indicator

PMT10124



Operating counter

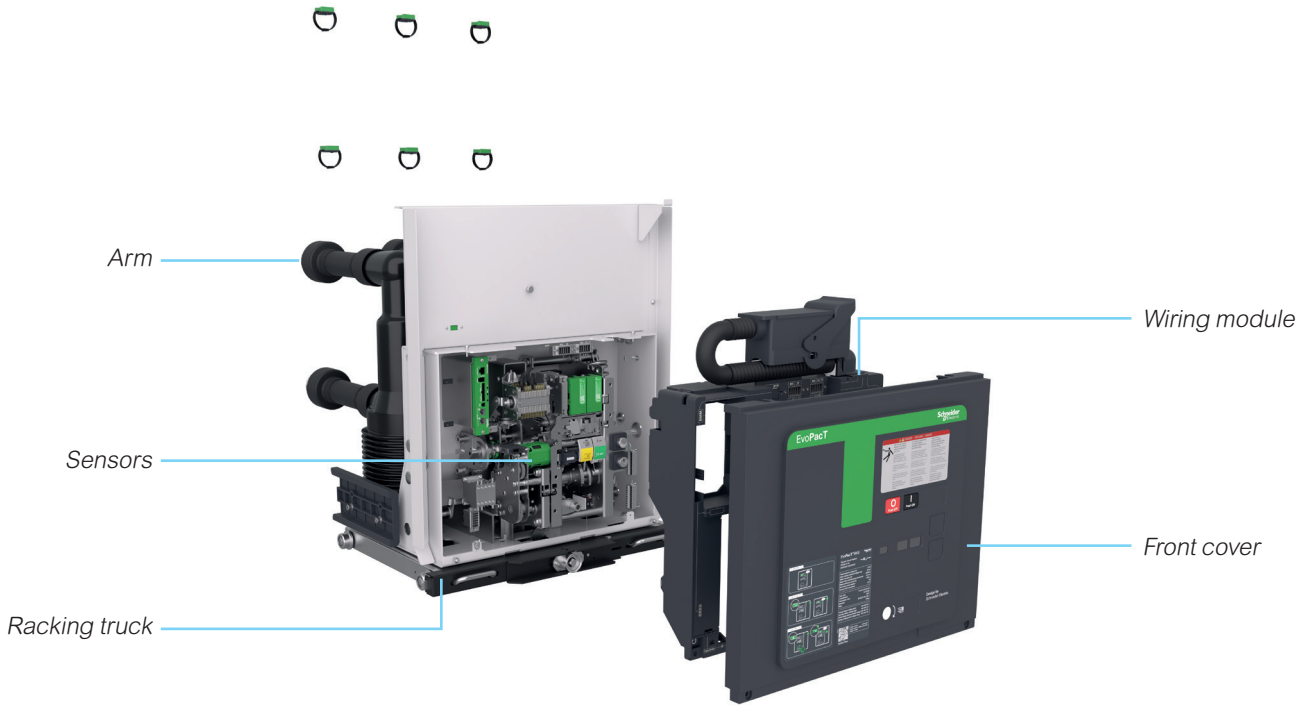


Nameplate

Overview

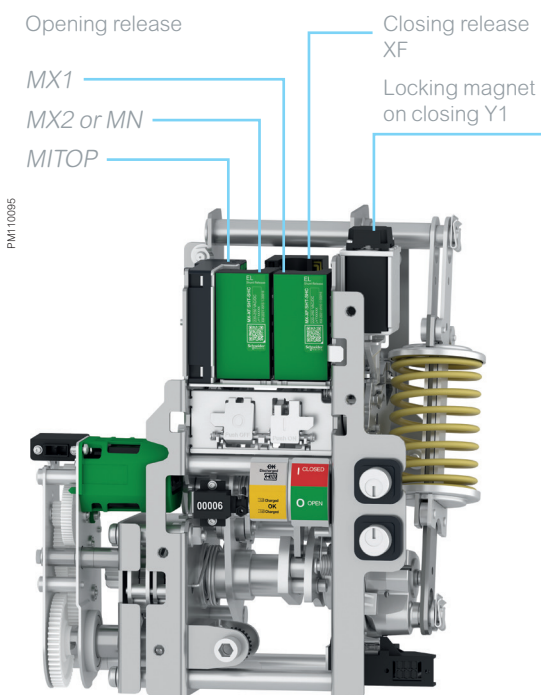
Withdrawable Circuit Breaker

PM110582



Green sensors for health monitoring are optional





Operating mechanism

Shunt opening release MX

The MX shunt releases are used to open the circuit breaker. One shunt release is delivered natively with the circuit breaker. A second optional one can be selected as a back-up. The shunt releases are actuated by the auxiliary power supply.

They open the circuit breaker when the voltage at the terminals of the release is between 70% and 110% (in the case of direct current) or between 85% and 110% (in the case of alternative current) of its rated voltage

The coil is designed for short operation only; it is therefore routed via an auxiliary switch contact controlled by the circuit breaker shaft, and upon release it interrupts the current circuit.

Characteristics

Power supply	V AC	110/120/220/230
	V DC	24/48/60/110/125/220
Operating range	V AC	0.85 to 1.1 Ua
	V DC	0.7 to 1.1 Ua
Consumption	V AC	220 VA
	V DC	220 W

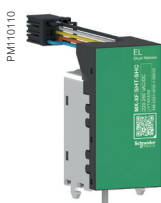
Shunt closing release XF

The XF release is used to close the circuit breaker. The release coil is actuated by the auxiliary power supply when the voltage at the terminals of the release is between 85% and 110% of its rated voltage.

The coil is designed for short operation only; it is therefore routed via an auxiliary switch contact controlled by the circuit breaker shaft, and upon release it interrupts the current circuit.

Characteristics

Power supply	V AC	110/120/220/230
	V DC	24/48/60/110/125/220
Operating range	V AC	0.85 to 1.1 Ua
	V DC	0.85 to 1.1 Ua
Consumption	V AC	220 VA
	V DC	220 W



Electronic release for
MX1/MX2 and XF



Operation counter



Locking magnet on closing Y1

Operation counter

The operation counter installed on the operating mechanism records the number of opening/closing cycles.

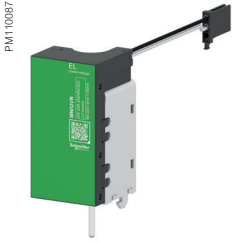
Blocking magnets

Locking magnet on closing Y1

If the controlling power supply to operate this magnet is lost, the circuit breaker cannot perform the normal closing operation (including manual closing).

Characteristics

Power supply Ua	V AC	110/120/220
	V DC	24/48/60/110/125/220
Operating range	V AC	0.85 to 1.1 Ua
	V DC	0.85 to 1.1 Ua
Consumption	V AC	12±1 VA
	V DC	12±1 W



Undervoltage release MN

Undervoltage release MN

The undervoltage release operates to open the circuit breaker when the voltage at the terminals of the release falls below 35% of its rated voltage, even if the fall is slow and gradual.

The undervoltage release does not operate the circuit breaker when the voltage at its terminals exceeds 70% of its rated supply voltage.

The area between 35% and 70% is uncertain, care should be taken that the undervoltage release might operate to open the circuit breaker at these voltages. For closing of the circuit breaker, the undervoltage release requirements (measured at terminals) are:

- >85% rated voltage to close
- <35% rated voltage closing is blocked

Characteristics

Power supply	V AC	110/120			220/230
	V DC	24-30	48-60	110-125	220-250
Operating range	Opening	0.35 to 0 Ua			
Starting consumption (W)	V AC	-			
	V DC	288	329	400	
Holding consumption (W)	V AC	-			
	V DC	4	7	6	



Low energy release MITOP

Low energy release (MITOP)

This release includes a low consumption unit and is specifically used with the Micom P115 self-powered unit ("REFLEX MODULE"), or the VIP relay. Any tripping due to the Mitop release unit is momentarily indicated by an SDE type changeover contact, provided with the Mitop.

This release also includes a coil (reset) enabling remote SDE contact reset.

Comment:

Use of the Mitop low energy release requires adjustment of the protection relay time delay in order to ensure that the circuit breaker trips between 45-50 ms.

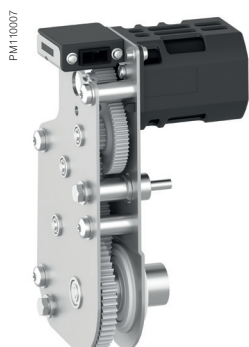
This specific coil actuates the opening mechanism of the poles to trip the circuit breaker.

Characteristics

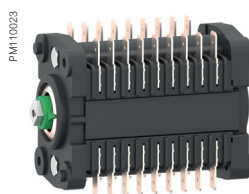
Power supply	9 V
Consumption (W/V AC)	1

Charging functions

Circuit breaker charging motor and auxiliary contacts



Charging motor M1



Auxiliary switch S11

Auxiliary switch in charging
position S2-AAuxiliary switch in charging
position S2-B

RTC

Operating mechanism

Charging motor M1

The electric motor charges the spring of the operating mechanism automatically as soon as it is discharged. This allows the circuit breaker to switch the second close-open-cycle within the rated operating sequence.

Characteristics		
Power supply	V AC	110/120/220/230
	V DC	24/48/60/110/125/220
Operating range	V AC	0.85 to 1.1 U _a
	V DC	0.85 to 1.1 U _a
Consumption	V AC	approx. 180 VA
	V DC	approx. 180 W

Operating time of motor	
Motor charging time	≤12s

Circuit breaker On/Off status auxiliary switch S11

The auxiliary contacts in switching position indicate the ON/OFF status of the circuit breaker. They are actuated directly by the main shaft of the circuit breaker via a mechanical link. The position of the main shaft corresponds to the position of the auxiliary switches and indicates whether the circuit breaker is in ON or OFF.

In the basic configuration, the circuit breaker's operating mechanism comprises a total of:

- 9NO/9NC, including 5NO/5NC free for customer application

Characteristics		
Rated operational voltage (U _a)	V AC/ DC	230
Rated operational current (I _c)	A	10
Rated short-time withstand current (I _{cw})	A	250 (during 3 s)
Rated breaking capacity with inductive charge	L/R=10 ms	
	L/R=20 ms	
Voltage	V DC	24 48 60 110 125 220 110 220
Charging current	A	10 8 6 4 3 2 10 5
Max capacity (W)		440

Spring charging status auxiliary switch S2-A S2-B

The auxiliary switch is used to control the charging motor and to indicate the charging status.

When contact S2 is closed, the motor charges the spring of the operating mechanism automatically. When charging is complete, it breaks the electrical charging circuit.

Micro switch for charging S2-A	5 A / 250 V DC	16 A / 250 V AC
Micro switch for control S2-B	16 A / 250 V AC	

Auxiliary switches for Ready to Close S4

The ready to close contact is operated by the opening half moon to confirm no Opening order is present by mechanical push button, MX coils or MN coil.

Low voltage connection



Withdrawable type

An optional flexible LV (Low Voltage) plug and socket system enables connection of the circuit breaker auxiliary circuits to the switchgear control cabinet. It consists of an elbow-type connector mounted on the frame of the circuit breaker and a removable connector with 58 male pins mounted on a 525 mm flexible duct.

The counter part connector equipped with the female contacts is assembled in the low voltage cabinet of the switchgear.

The LV plug connects the VCB to the switchgear allowing control and status information to be passed between. A maximum of 58 pins are available therefore the number of Auxiliary OC contacts could be limited depending on VCB configuration.

The EvoPacT HVX LV connector can only be removed when the circuit breaker is in the test position.



Fixed type

The circuit breaker is equipped with either a set of terminal blocks or a LV plug to connect the circuit breaker auxiliary circuit with the LV wiring from the LV cabinet.

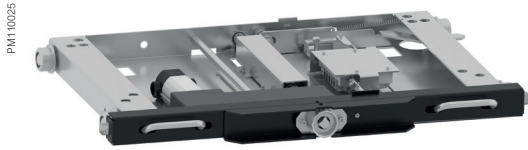
Fixed and withdrawable type VCB wiring diagram

List of wiring diagrams available in the "documents" section of country
Schneider Electric website:

List of wiring diagrams

PKR73840_01_EvoPacT HVX	Fixed circuit breaker (5NO-5NC, MITOP, E-Coil)
JYT34513_01_EvoPacT HVX	Withdrawable circuit breaker (5NO-5NC, Digital, E-Coil)
PKR73838_01_EvoPacT HVX	Withdrawable circuit breaker (5NO-5NC, E-Coil)
PKR73839_01_EvoPacT HVX	Withdrawable circuit breaker (5NO-5NC, MITOP, E-Coil)

Racking truck



Racking truck

Withdrawable type

In the withdrawable type the EvoPacT HVX is mounted on a racking truck to move the circuit breaker between test position and service position .

The EvoPacT HVX racking truck comprises:

- A frame with 4 wheels for moving the circuit breaker
- A drive system with a rotating shaft to move the circuit breaker inside the switchgear compartment
- An optional motor drive for electrical operation. A motor controller is provided and attached to the circuit breaker and is mandatory for the truck motorization function.
- A set of auxiliary contacts (3NC+3NO available for customer use), to indicate the service or test position of the circuit breaker
- A set of mechanical levers to interlock the truck with the operating mechanism and the earthing switch operation if assembled in the switchboard
- A system to latch the racking truck to the switchgear frame to withstand the mechanical forces of the short circuit
- An interlock between the racking truck and the door of the panel

The circuit breaker is equipped with devices to operate the shutter mechanism.

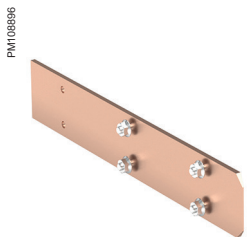


Racking truck motor M2

Racking truck motor M2 (Optional)

Characteristics

Power supply	V AC	110/220/230
	V DC	24/48/110/220
Operating range	V AC	0.85 to 1.1 Ua
	V DC	0.85 to 1.1 Ua
Consumption	V AC	90 VA
	V DC	90 W



Underneath earthing

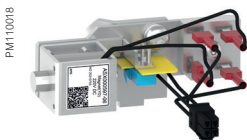


Side earthing

Earthing (optional)

The racking truck is earthed using underneath copper bars located under the racking truck.

This can also be equipped with earthing sliding contacts on both sides of the racking truck.



Blocking magnet on racking truck Y0

Blocking magnet

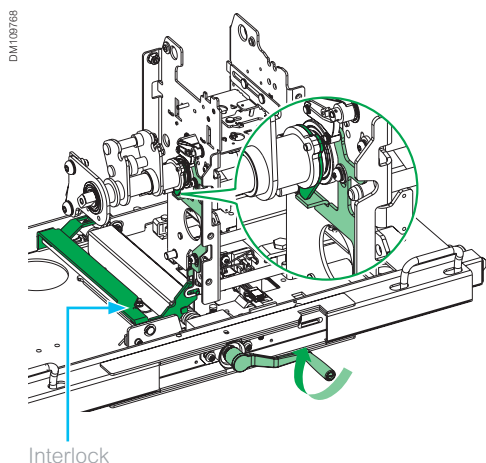
Blocking magnet on racking truck Y0

If the secondary controlling power supply is lost, the truck cannot be racked in or out (either manually or by motorization).

Characteristics

Power supply Ua	V AC	110/120/220/230
	V DC	24/48/60/110/125/220
Operating range	V AC	0.85 to 1.1 Ua
	V DC	0.85 to 1.1 Ua
Consumption	V AC	3.6 VA
	V DC	3.6 W

Interlock functions



EvoPacT HVX withdrawable type interlocking

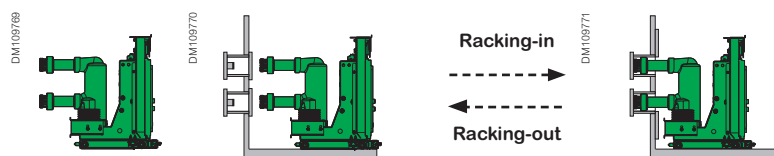
The following table describes the interlocking functions available on the withdrawable type of EvoPacT HVX.

How to use the table

Each box describes the possible status of parts interlocked with the circuit breaker at a given status.

- **Removed:** The circuit breaker with the racking truck is extracted from the switchgear with the racking truck
- **Disconnected:** The circuit breaker is inside the switchgear compartment; its power connections are separated from the switchgear contacts by shutters and the LV auxiliary circuits are connected
- **Intermediate:** The circuit breaker is moving from the disconnected position to the service position or vice versa
- **Service:** The circuit breaker power connections are connected to the switchgear contacts, the LV auxiliary circuits are connected, and the switchgear door is closed and locked

Circuit breaker status



Parts		Removed	Disconnected/Test	Intermediate	Service
Compartment shutters	Open	Prohibited	Not possible	Operating	Mandatory
	Closed	Mandatory	Mandatory		Not possible
Switchgear door	Open	Possible	Possible (1)	Prohibited	Prohibited
	Closed	Possible	Preferred	Mandatory (2)	Mandatory
Door handle		Unlocked	Unlocked	Locked (2)	Locked (2)
LV connector	Disconnected	Mandatory	Possible (1)	Prohibited	Prohibited
	Connected	Not possible	Preferred	Mandatory (3)	Mandatory (3)
CB main contacts position	Open	Possible	Preferred	Mandatory	Possible
	Closed	Possible	Possible	Prohibited (4)	Possible (5)
Earthing switch position	Open	Possible	Possible	Mandatory	Mandatory
	Closed	Possible	Possible (1)	Prohibited	Prohibited

(1) Impossible to rack-in

(2) Impossible to access the CB compartment

(3) Impossible to access the LV plug

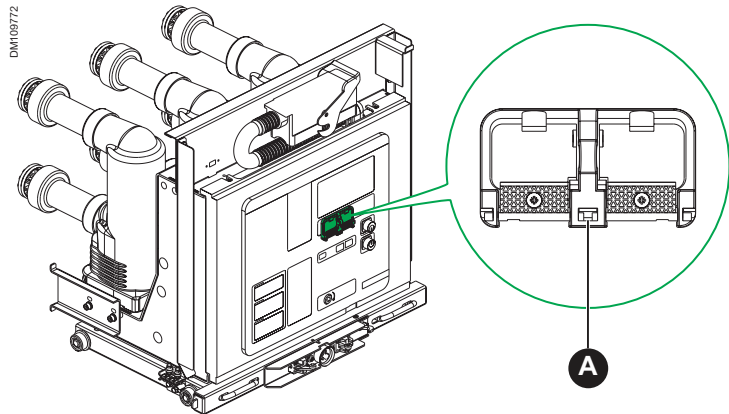
(4) Impossible to activate the "close" command

(5) Impossible to rack-out

Key locking functions

Locking the Pushbutton

The Pushbutton locking cover (A) is an optional accessory that can be installed on the circuit breaker to enable the Pushbutton to be locked.



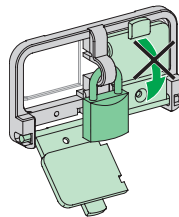
Locking by padlock



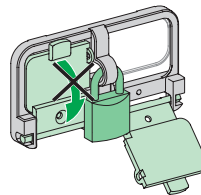
DM109773

- 1 padlocks: Ø 5 to 8 mm, not supplied.

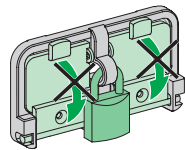
DM109774



DM109775



DM109776



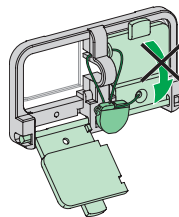
Locking by lead sealing



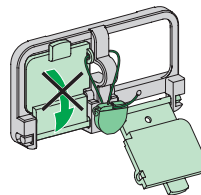
DM109777

- Lead sealing system (ref. LV429375), not supplied.

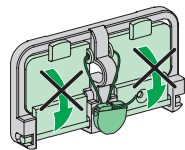
DM109778



DM109779



DM109780



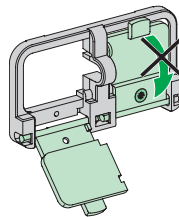
Locking by screw



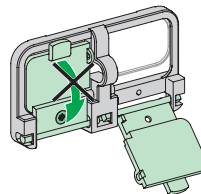
DM109781

- Two M3 x 7 Cross countersunk head screws, supplied.

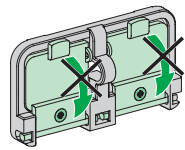
DM109782



DM109783



DM109784



Key locking functions

Locking the Device in the Open Position

The circuit breaker is locked in the open position by locking the closing Pushbutton with 1 or 2 keylocks.

The locking system is an optional accessory that can be installed on the circuit breaker to enable the device to be locked in the OPEN position.

Consignment and locking procedures must be defined by the end user.



- A** Key 1
- B** Key 2

Product references

Ordering the EvoPacT HVX.....	D-2
Commercial reference numbering system	D-3
Spare parts.....	D-4
EvoPacT HVX order form.....	D-10

Ordering the EvoPacT HVX

Product Selector

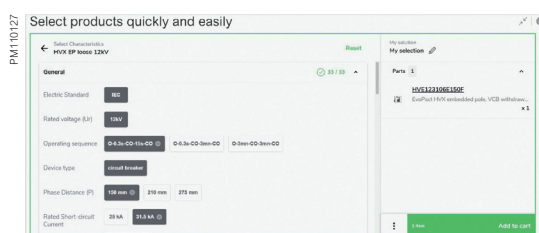
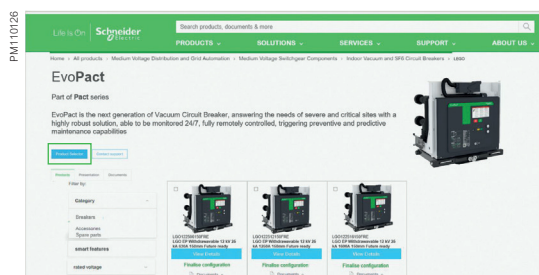
To simplify and expedite the ordering of EvoPacT HVX, two new tools are available:

- **Product Selector:** An online software tool embedded in the website to help users to select the correct product and accessories
- **Product Code:** An alphanumeric code representing the selection of a EvoPacT HVX circuit breaker. It simplifies communication of the selected circuit breaker during ordering, sharing information and remote assistance.

Product Selector

Product Selector aims at providing a fast, more secure and smarter way of selecting products. It includes the selection of the base unit, control unit, accessories and Digital Modules. Compared with the traditional way of filling up order forms or specifying customer functions, it brings the following benefits:

- Easy access: no login, direct access on Schneider Electric website or on distributor's website
- High reliability: compatibility between core product and accessories are constantly tested. Plus always up-to-date product ordering information
- Wide coverage: more than 130 ranges from Schneider Electric are available (EvoPacT HVX, MasterPact, ComPact, TeSys, PowerLogic...).



Commercial reference numbering system

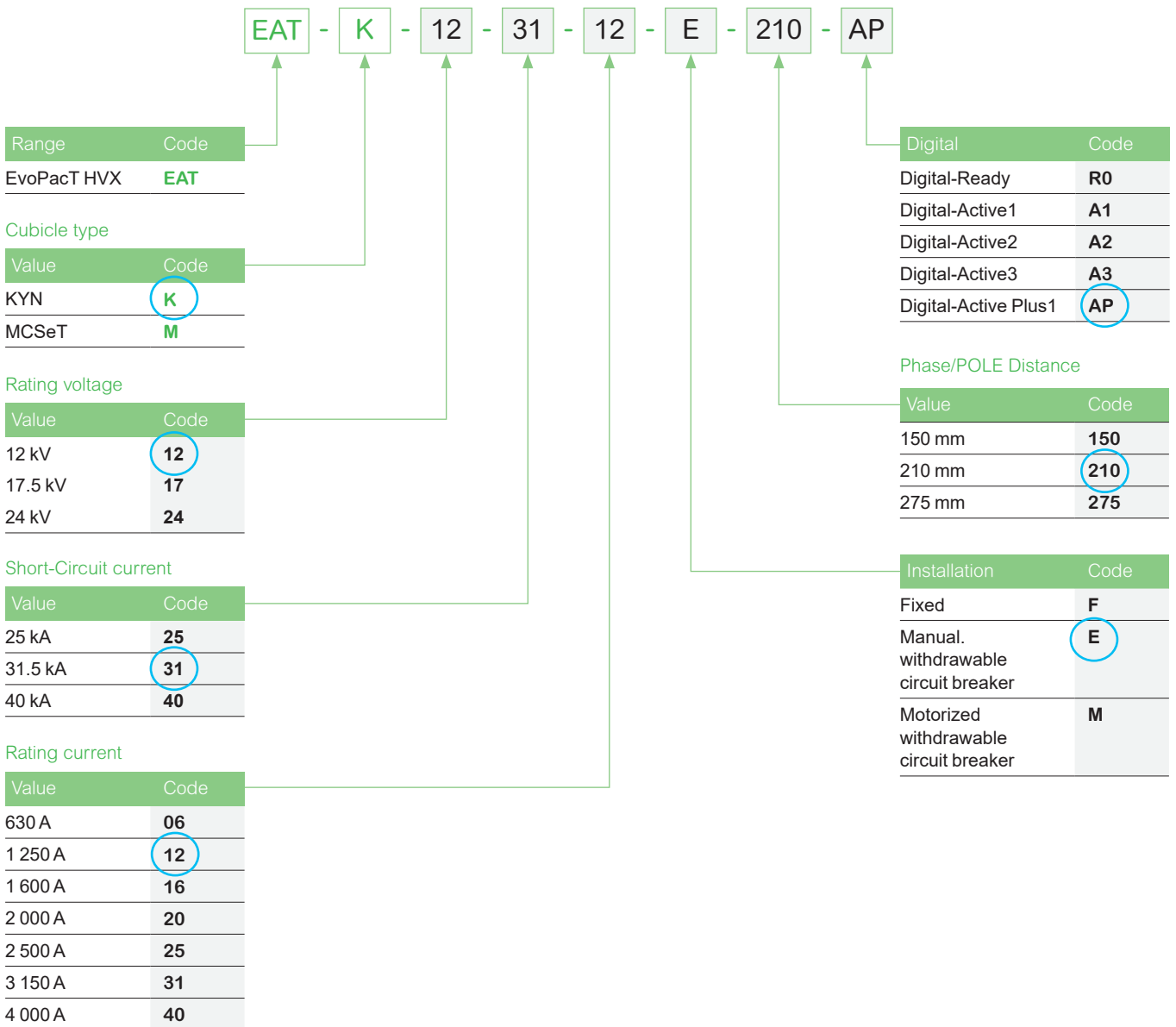
Product code composition

Example:

Base function for VCB
 12 kV - 31.5 kA - 1250 A - fixed - pd = 210 mm digital


EAT - K - 12 - 31 - 12 - E - 210 - AP

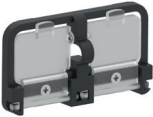
The product code composition is: **EAT K 12 31 12 E 210 P1**




Shunt Release MX-XF		Description	References
	Electronic release	MX-XF Release 24-30 V DC	SPKELRMXF024DS
		MX-XF Release 48-60 V DC	SPKELRMXF048DS
		MX-XF Release 110-125 V AC/DC	SPKELRMXF110VS
		MX-XF Release 220-230 V AC/DC	SPKELRMXF220VS
	Low energy release MITOP	MITOP	SPKMITS
	Undervoltage release MN	MN Release 24-30 V DC	SPKMNU3024DS
		MN Release 48-60 V DC	SPKMNU3048DS
		MN Release 110-125 V AC/DC	SPKMNU3110VS
		MN Release 220-230 V AC/DC	SPKMNU3220VS
Spring charging motor M1		Description	References
	M1 Spring charging handle	Motorization 24-30 V DC	SPKMCH024S
		Motorization 48-60 V DC	SPKMCH048S
		Motorization 110-125 V DC	SPKMCH110S
		Motorization 220-250 V DC	SPKMCH220S
		Motorization 110-130 V AC 50/60 Hz	SPKMCH110S
		Motorization 220-240 V AC 50/60 Hz	SPKMCH220S
		Spring charging handle	SPKSCH
Auxiliary contacts		Description	References
	RTC	Ready to close (1 micro switch)	SPKMFR81357
		Micro switch of motor charging S2-A	SPKMFR81341
	Auxiliary switch S11	Micro switch of motor charging S2-B	SPKJYT51765
		Circuit breaker On/Off status auxiliary switch S11	Coming soon
	S2-A contact		
	S2-B contact		

Spare parts




Keylocks & Interlocks	Description	References
	1 Key	SPKLCKL1K1FS
	2 Keys	SPKLCKL1K1FIS

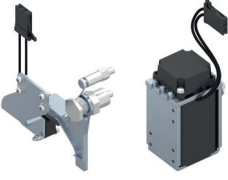
Pushbutton	Description	References
	Padlock O/C Pushbutton padlocking	SPKLCKPLS



LV Plug and accessories	Description	References
	Wirings accessories LV plug connector kit on cubicle side	SPKLVC58FE



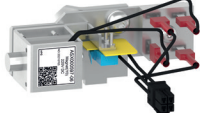


Spare parts






Arms	Description	References
 <p>Arm</p>	Kit 1 arm: 12 kV 630 A/≤ 31.5 kA	SPKGEX80004
	Kit 1 arm: 12 kV 1250 A/≤ 31.5 kA	SPKNNZ12245
	Kit 1 arm: 12 kV 1250 A/40 kA	SPKNNZ24394
	Kit 1 arm: 12 kV 1600 A/2000 A/≤ 40 kA	SPKNNZ24396
	Kit 1 arm: 12 kV 2500 A/3150 A/4000 A/≤ 40 kA	SPKNNZ24397
	Kit 1 arm: 17.5 kV 630 A/≤ 31.5 kA	SPKBRU64898
	Kit 1 arm: 17.5 kV 1250 A/≤ 31.5 kA	SPKBRU65001
	Kit 1 arm: 17.5 kV 1250 A/40 kA	SPKBRU65091
	Kit 1 arm: 17.5 kV 1600 A/2000 A/≤ 40 kA	SPKBRU65125
	Kit 1 arm: 17.5 kV 2500 A/3150 A/4000 A/≤ 40 kA	SPKNNZ24397
 <p>Digital arm</p>	Kit 1 arm with TH110: 12/17.5 kV 630 A/≤ 31.5 kA	SPKJYT34787
	Kit 1 arm with TH110: 12/17.5 kV 1250 A/≤ 31.5 kA	SPKJYT35705
	Kit 1 arm with TH110: 12/17.5 kV 1250 A/40 kA	SPKJYT35714
	Kit 1 arm with TH110: 12/17.5 kV 1600 A/2000 A/≤ 40 kA	SPKJYT35908
	Kit 1 arm with TH110: 12/17.5 kV 2500 A/3150 A/4000 A/≤ 40 kA	SPKJYT35910
 <p>Clusters</p>	Kit 1 cluster: 630 A/≤ 25 kA	SPKMVC122506KYS
	Kit 1 cluster: 630 A/31.5 kA	SPKMVC123106KYS
	Kit 1 cluster: 1250 A/≤ 31.5 kA	SPKMVC123112KYS
	Kit 1 cluster: 1250 A/40 kA	SPKBQT71823
	Kit 1 cluster: 1600 A/≤40 kA	SPKMVC243116KYS
	Kit 1 cluster: 2000 A/≤ 40 kA	SPKMVC243120KYS
	Kit 1 cluster: 2500 A/3150 A/4000 A/≤ 40 kA	SPKMVC243131KYS

Closing locking magnet with micro switch (Y1)		Description	References
 <p>Basic kit Y1</p>	24 V DC	SPKLCKLM024DCS	
	48 V DC	SPKLCKLM048DCS	
	60 V DC	SPKLCKLM060DCS	
	110 V DC	SPKLCKLM110DCS	
	220 V DC	SPKLCKLM220DCS	
	110 V AC	SPKLCKLM110ACS	
	220 V AC	SPKLCKLM220ACS	

Trucks		Description	References
 <p>Manual truck</p>	Complete KYN type truck with interlock connector for PD210 mm, ≤ 31.5 kA	SPKRDM300LS	
	Complete KYN type truck with interlock connector for PD275 mm	SPKRDM300MS	
 <p>Motorization truck</p>	Complete KYN type truck with interlock connector for PD210 mm, ≤ 31.5 kA for 220 V AC/DC	SPKRDE300L220S	
	Complete KYN type truck with interlock connector for PD275 mm for 220 V AC/DC	SPKRDE300M220S	
	Complete KYN type truck with interlock connector for PD210 mm, ≤ 31.5 kA for 110 V AC/DC	SPKRDE300L110S	
	Complete KYN type truck with interlock connector for PD275 mm for 110 V AC/DC	SPKRDE300M110S	
	Complete KYN type truck with interlock connector for PD210 mm, ≤ 31.5 kA for 48 V DC	SPKRDE300L048S	
	Complete KYN type truck with interlock connector for PD275 mm for 48 V DC	SPKRDE300M048S	
	Complete KYN type truck with interlock connector for PD210 mm, ≤ 31.5 kA for 24 V DC	SPKRDE300L024S	
	Complete KYN type truck with interlock connector for PD275 mm for 24 V DC	SPKRDE300M024S	

Trucks		Description	References
 <p>Underneath earthing</p> <p>Side earthing</p> <p>Without earthing</p> <p>Door interlock</p> <p>Truck handle</p>	Truck Components	Both side earthing	SPKRDEBSES
		Underneath earthing PD210	SPKRDBEOE24LS
		Underneath earthing PD275	SPKRDEBOE24MS
		Without earthing	SPKRDENOES
		Door interlock	SPKLCKDLS
		Truck handle	SPKCHD8000092R0114
	Shutter ramp	Shutter ramp CD 205 mm PD 210 mm	SPKSHUDRIV24LS
		Shutter ramp CD 310 mm PD 275 mm	SPKSHUDRIV24MS
	Blocking magnet on racking truck (Y0)	24 V DC	SPKLCKLM024DRS
		48 V DC	SPKLCKLM048DRS
		60 V DC	SPKLCKLM060DRS
		110 V DC	SPKLCKLM110DRS
		125 V DC	SPKLCKLM125DRS
		220 V DC	SPKLCKLM220DRS
		110 V AC	SPKLCKLM110ARS
		220 V AC	SPKLCKLM220ARS

Spare parts

Digital	Description	References	
	Digital Brick	EcoStruxure Operation Server BM100	SPKDIGBM100S
	Sensors	EvoPacT HVX Vacuum Interrupter Tag VI110	SPKDIGVI110S
		EvoPacT HVX Mechanism Tag (MC 110)	SPKDIGMC110S
		EvoPacT HVX Truck Stroke Tag TS110	SPKDIGTS110S
		Powerlogic Thermal Tag TH110	EMS59440
		Powerlogic Environmental Tag CL110	SPKEMS59443
		EcoStruxure Operation Server for Motor control & Monitoring MCM100	SPKDIGMCM1
		EcoStruxure Panel Server Hub	PAS600L
		PMB Easy - Switchboard HMI	HMIST6700 or HMIP6DFB0- NA0WNAN00



EvoPacT HVX order form

Basic equipment

- To fill in the form, please check the boxes that match your choices.
- Below accessories must be ordered separately:
 - Crank for manual circuit breaker Racking truck
 - Crank for charging the operating mechanism
 - 58 pins connector with female pins, loose component for use in low voltage cabinet

Basic equipment	Product range: EvoPacT HVX ~ 24 kV <input type="checkbox"/>			Quantity <input type="text"/>
Version type	Withdrawable (E) <input type="checkbox"/>	Fixed (F) <input type="checkbox"/>		
Standard	IEC 62271-100:2021 <input type="checkbox"/>			
Rated voltage (Ur)	12 kV <input type="checkbox"/>	17.5 kV <input type="checkbox"/>	24 kV <input type="checkbox"/>	
Rated current	630 A <input type="checkbox"/>	1,250 A <input type="checkbox"/>	1,600 A <input type="checkbox"/>	2,000 A <input type="checkbox"/>
	2,500 A <input type="checkbox"/>	3,150 A <input type="checkbox"/>	4,000 A <input type="checkbox"/>	
Rated short-time withstand current (Ik)	20 kA <input type="checkbox"/>	25 kA <input type="checkbox"/>	31.5 kA <input type="checkbox"/>	40 kA <input type="checkbox"/>
Phase distance (P)	150 mm <input type="checkbox"/>	210 mm <input type="checkbox"/>	275 mm <input type="checkbox"/>	
Opening release (MX1)	24-30 Vdc <input type="checkbox"/>	48-60 Vdc <input type="checkbox"/>	110-120 Vac <input type="checkbox"/>	220-240 Vac <input type="checkbox"/>
	110-125 Vdc <input type="checkbox"/>	220-250 Vdc <input type="checkbox"/>		
Closing release (XF)	24-30 Vdc <input type="checkbox"/>	48-60 Vdc <input type="checkbox"/>	110-120 Vac <input type="checkbox"/>	220-240 Vac <input type="checkbox"/>
	110-125 Vdc <input type="checkbox"/>	220-250 Vdc <input type="checkbox"/>		
Charging motor (M1)	24-30 Vdc <input type="checkbox"/>	48-60 Vdc <input type="checkbox"/>	110-130 Vac <input type="checkbox"/>	220-240 Vac <input type="checkbox"/>
	110-125 Vdc <input type="checkbox"/>	220-250 Vdc <input type="checkbox"/>		
Dimension drawing	Standard <input type="checkbox"/>	Non-standard <input type="checkbox"/>		
Wiring diagram	9NO/9NC <input type="checkbox"/>	Non-standard <input type="checkbox"/>		
Type of earthing (withdrawable type only)	Underneath earthing <input type="checkbox"/>	Side earthing <input type="checkbox"/>	Other <input type="text"/>	
Low voltage plug type	58-pin plug-in connector <input type="checkbox"/>		Wiring by terminal block <input type="checkbox"/>	
Documentation language	English <input type="checkbox"/>			<input type="checkbox"/>
Type of rack-in	Manual operating mechanism <input type="checkbox"/>		Motor operating mechanism <input type="checkbox"/>	
Motor drive for racking truck	220 Vdc <input type="checkbox"/>	110 Vdc <input type="checkbox"/>	48 Vdc <input type="checkbox"/>	24 Vdc <input type="checkbox"/>
	220 Vac <input type="checkbox"/>	110 Vac <input type="checkbox"/>		
	Available for all variant rating and phase distance.			
Operating sequence	O-0.3 s-CO-3 min-CO Standard <input type="checkbox"/>	O-3 min-CO-3 min-CO <input type="checkbox"/>	O-0.3 s-CO-15 s-CO <input type="checkbox"/>	

EvoPacT HVX order form

Options and accessories

Optional equipment

Blocking magnet on closing (Y1)

220 Vdc <input type="checkbox"/>	110 Vdc <input type="checkbox"/>	60 Vdc <input type="checkbox"/>	220 Vac <input type="checkbox"/>	110 Vac <input type="checkbox"/>	Without <input type="checkbox"/>
48 Vdc <input type="checkbox"/>	24 Vdc <input type="checkbox"/>				

Blocking magnet on racking truck (Y0)

48 Vdc <input type="checkbox"/>	60 Vdc <input type="checkbox"/>	110 Vdc <input type="checkbox"/>	110 Vac <input type="checkbox"/>	220 Vac <input type="checkbox"/>	Without <input type="checkbox"/>
220 Vdc <input type="checkbox"/>					

Second opening release (MX2)

24-30 Vdc <input type="checkbox"/>	48-60 Vdc <input type="checkbox"/>	110-125 Vdc <input type="checkbox"/>	110-120 Vac <input type="checkbox"/>	220-240 Vac <input type="checkbox"/>	Without <input type="checkbox"/>
220-250 Vdc <input type="checkbox"/>					

Undervoltage release (MN)

24-30 Vdc <input type="checkbox"/>	48-60 Vdc <input type="checkbox"/>	110-125 Vdc/ac <input type="checkbox"/>	110-125 Vdc/ac <input type="checkbox"/>	220-250 Vdc/ac <input type="checkbox"/>	Without <input type="checkbox"/>
220-250 Vdc/ac <input type="checkbox"/>					

Low energy release (MITOP)

With Without

Interlock with door

With Without

Optional - Digital bundles

Active 1: On-demand thermal monitoring

Active 2: Continuous thermal monitoring

Active 3: Continuous thermal monitoring + Auxiliary circuit & racking comparability monitoring

Active Plus 1: Continuous thermal monitoring + Auxiliary circuit & racking comparability monitoring + Mechanism & VI monitoring

Special conditions (please contact Schneider Electric Application Engineer)

1

2

Accessories

Drawing

Quantity

Accessories for EvoPacT HVX withdrawable type

Circuit breaker racking handle	CHD8000092R0114	<input type="text"/>
Circuit breaker spring charging handle	EATSCH	<input type="text"/>
58 pins female LV plug (switchgear side) with Ethernet connection	EATLVC58FE	<input type="text"/>

Accessories for EvoPacT HVX fixed type

Circuit breaker spring charging handle	EATSCH	<input type="text"/>
58 pins female LV plug (switchgear side) with Ethernet connection	EATLVC58FE	<input type="text"/>





Schneider Electric Industries SAS

35, rue Joseph Monier
CS 30323
92506 Rueil Malmaison Cedex
France

RCS Nanterre 954 503 439
Capital social 896 313 776 €
www.se.com

07-2025
NRJCAT21051EN-IEC

© 2025 - Schneider Electric. All Rights Reserved.
All trademarks are owned by Schneider Electric Industries SAS or its affiliated companies.