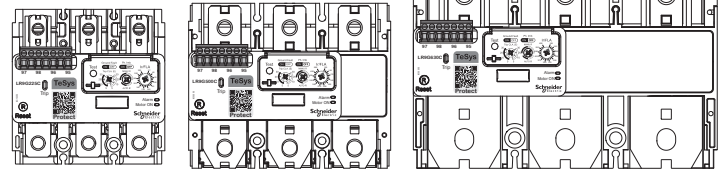




Thermal Overload Relays 115-630 A
115-630 A 过载继电器

NNZ9700301-03



⚠️ DANGER / 危险

HAZARD OF ELECTRIC SHOCK, EXPLOSION OR ARC FLASH

- Read and understand this document and the installation guide before installing, operating, or maintaining your TeSys Giga product.
- Apply appropriate personal protective equipment (PPE) and follow safe electrical work practices. See NFPA 70E, CSA Z462, NOM-029-STPS or local equivalent.
- This equipment must only be installed and serviced by qualified electrical personnel.
- Turn off all power supplying this equipment before working on or in this equipment.
- Use only the specified voltage when operating this equipment and any associated products.
- Power line circuits must be wired and protected in compliance with local and national regulatory requirements.
- Beware of potential hazards, and carefully inspect the work area for tools and objects that may have been left inside the equipment.

Failure to follow these instructions will result in death or serious injury.

电击、爆炸或弧闪的危险

- 安装、操作或维护 TeSys Giga 产品之前，请阅读并理解本文档和安装指南。
- 采用适当的个人防护设备 (PPE) 并遵循 电气作业安全守则。请参阅 NFPA 70E, CSA Z462, NOM-029-STPS 或当地对应的标准。
- 只能由具备资质的电工来安装和维修本设备。
- 在本设备上或设备内工作前，必须关闭本设备的所有电源。
- 仅使用指定电压操作本设备及任何关联产品。
- 电源线路的接线和保护必须符合本地和国家规范要求。
- 注意潜在危险，仔细检查作业区，以免将工具和物件遗忘在设备内部。

不遵循上述说明将导致人员伤亡。

PLEASE NOTE

- This product is designed for use in environment A, as defined in IEC 61000-2-3. Use of this product in environment B may cause unwanted electromagnetic disturbances in which case you may be required to take adequate mitigation measures.
- Electrical equipment should be installed, operated, serviced, and maintained only by qualified personnel.
- No responsibility is assumed by Schneider Electric for any consequences arising out of the use of this material.

请注意

- 本产品设计为在 IEC 61000-2-3 所述的环境 A 中使用。在环境 B 中使用本产品可能会引发意外的电磁干扰，从而可能需要采取适当的缓解措施。
- 电气设备应仅由经过认证的技术人员进行安装、操作、维护和维修。
- 施耐德电气对因使用本说明而产生的任何后果不承担责任。

⚠️ WARNING / 警告

HAZARD OF FLASH OVER BETWEEN POLARITIES

- The phase separator adaptor must be installed when the thermal overload relay is used alone.
- Phase separators must be installed if the network voltage is greater than or equal to 690 V~.

Failure to follow these instructions can result in death, serious injury, or equipment damage.

相间闪络风险

- 单独使用过载继电器时，必须安装相间隔板适配器。
- 如果网络电压大于或等于 690 V~，则必须安装相间隔板。

不遵循上述说明可能导致人员伤亡或设备损坏。

⚠️ WARNING / 警告

UNINTENDED EQUIPMENT OPERATION

Before setting the thermal overload relay to AUTO R, ensure that automatic restart of the motor will not result in unsafe conditions.

Failure to follow these instructions can result in death, serious injury, or equipment damage.

意外的设备运行

将过载继电器设置到 AUTO R 之前，应确保电机的自动重启不会引起不安全的状况。

不遵循上述说明可能导致人员伤亡或设备损坏。

NOTICE / 注意

INCORRECT ASSEMBLY

For direct mounting of an overload relay with contactor:

1. Assemble overload relay with the contactor
2. Then install the complete assembly on the mounting plate

Failure to follow these instructions can result in unsuccessful installation.

组装不当

如果直接安装带接触器的过载继电器，请：

1. 将过载继电器与接触器组装到一起
2. 然后在安装板上安装整个组件

如果不遵守这些说明，将会导致安装失败。

Documentation / 文档

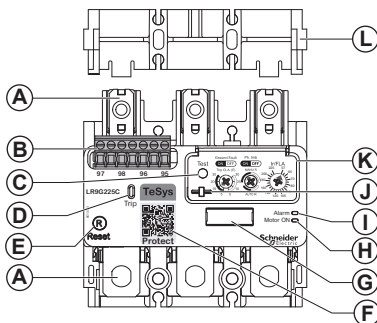
www.se.com/cn



(en) DOCA0191EN – TeSys Giga Series China - Installation Guide

(zh) DOCA0191ZH – TeSys Giga Series 中国 - 安装指南

1 Description / 描述



- (en) **A** Power connections
- B** Control terminals
- C** Test button
- D** Trip indicator
- E** Reset button
- F** QR code
- G** Clip-on marker holder
- H** Motor status LED
- I** Alarm LED
- J** Sealable cover
- K** Protection setting rotary switches
- L** Phase separator adaptor

- (zh) **A** 电源连接件
- B** 控制端子
- C** 测试按钮
- D** 脱扣指示
- E** 复位按钮
- F** 二维码
- G** 标签牌
- H** 电机状态 LED
- I** 报警 LED
- J** 可铅封的护盖
- K** 保护设置旋转开关
- L** 相间隔板适配器

2 Mounting on Plate / 底板安装

mm	G1	G2	J	⊕	A		B			
					X	Y	X	Y		
LR9G 115-225C	70	35	80.1	M5	16	16	PZ2	96.5	40	PH2
LR9G500C	119.3	45	68.2	M5	16	16	PZ2	85	78.5	PZ2
LR9G630C	186.2	70	86	M8	20	20	PH3	130	30	PH3

3±0.3 N·m

3 Power Connections / 电源连接

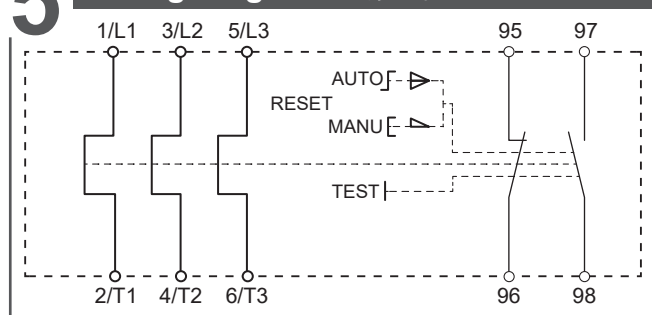
mm	LR9G115-225C	LR9G500C	LR9G630C
A	≤ 25	≤ 32	≤ 50
B	≤ 10	≤ 15	≤ 15
C	≤ 6	3 ≤ ... ≤ 10	3 ≤ ... ≤ 10
∅	9	10.6	13
T	18±1.8 N·m	35±3.5 N·m	58±5.8 N·m
	M8	M10	M12
	6	16	18

4 Control Connections / 控制线连接

10 mm
0.2...2.5 mm ²
0.2...1 mm ²
0.25...1 mm ²
0.25...2.5 mm ²
0.5...1.5 mm ²

0.5±0.05 N·m

5 Wiring Diagrams / 接线图



6 Settings / 设置

	MANU R	AUTO R	Ph. Imb ON	Ph. Imb OFF	Trip CLA. (E)	Ground Fault ON	Ground Fault OFF
(en)	Manual reset	Automatic reset	Phase imbalance enabled	Phase imbalance disabled	Trip class	Ground fault enabled	Ground fault disabled
(zh)	过载手动启动	过载自动启动	相不平衡保护开启	相不平衡保护关闭	脱扣等级	接地故障保护开启	接地故障保护关闭

