

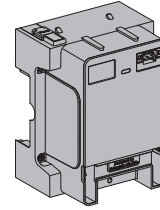


Control Module
控制模块

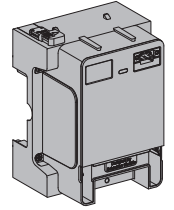
NNZ9699301-02



LX1G3...C



LX1G3.LSEMC



⚠️ ⚠️ DANGER / 危险

HAZARD OF ELECTRIC SHOCK, EXPLOSION OR ARC FLASH

- Read and understand this document and the installation guide before installing, operating, or maintaining your TeSys Giga product.
- Apply appropriate personal protective equipment (PPE) and follow safe electrical work practices. See NFPA 70E, CSA Z462, NOM-029-STPS or local equivalent.
- This equipment must only be installed and serviced by qualified electrical personnel.
- Turn off all power supplying this equipment before working on or in this equipment.
- Use only the specified voltage when operating this equipment and any associated products.
- Power line circuits must be wired and protected in compliance with local and national regulatory requirements.
- Beware of potential hazards, and carefully inspect the work area for tools and objects that may have been left inside the equipment.

Failure to follow these instructions will result in death or serious injury.

电击、爆炸或弧闪的危险

- 安装、操作或维护 TeSys Giga 产品之前，请阅读并理解本文档和安装指南。
- 采用适当的个人防护设备 (PPE) 并遵循 电气作业安全守则。请参阅 NFPA 70E, CSA Z462, NOM-029-STPS 或当地对应的 标准。
- 只能由具备资质的电工来安装和维修本设备。
- 在本设备上或设备内工作前，必须关闭本设备的所有电源。
- 仅使用指定电压操作本设备及任何关联产品。
- 电源线路的接线和保护必须符合本地和国家规范要求。
- 注意潜在危险，仔细检查作业区，以免将 工具和物件遗忘在设备内部。

不遵循上述说明将导致人员伤亡。

PLEASE NOTE

- Electrical equipment should be installed, operated, serviced, and maintained only by qualified personnel.
- No responsibility is assumed by Schneider Electric for any consequences arising out of the use of this material.

请注意

- 电气设备应仅由经过认证的技术人员进行安装、操作、维护和维修。
- 施耐德电气对因使用本说明而产生的任何后果不承担责任。

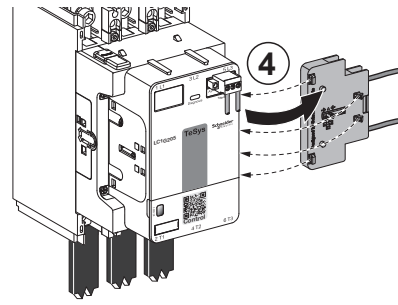
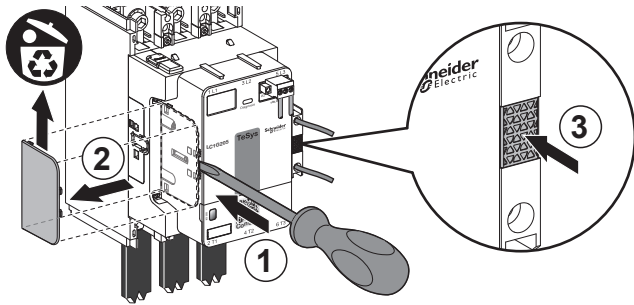
Documentation / 文档

www.se.com/cn

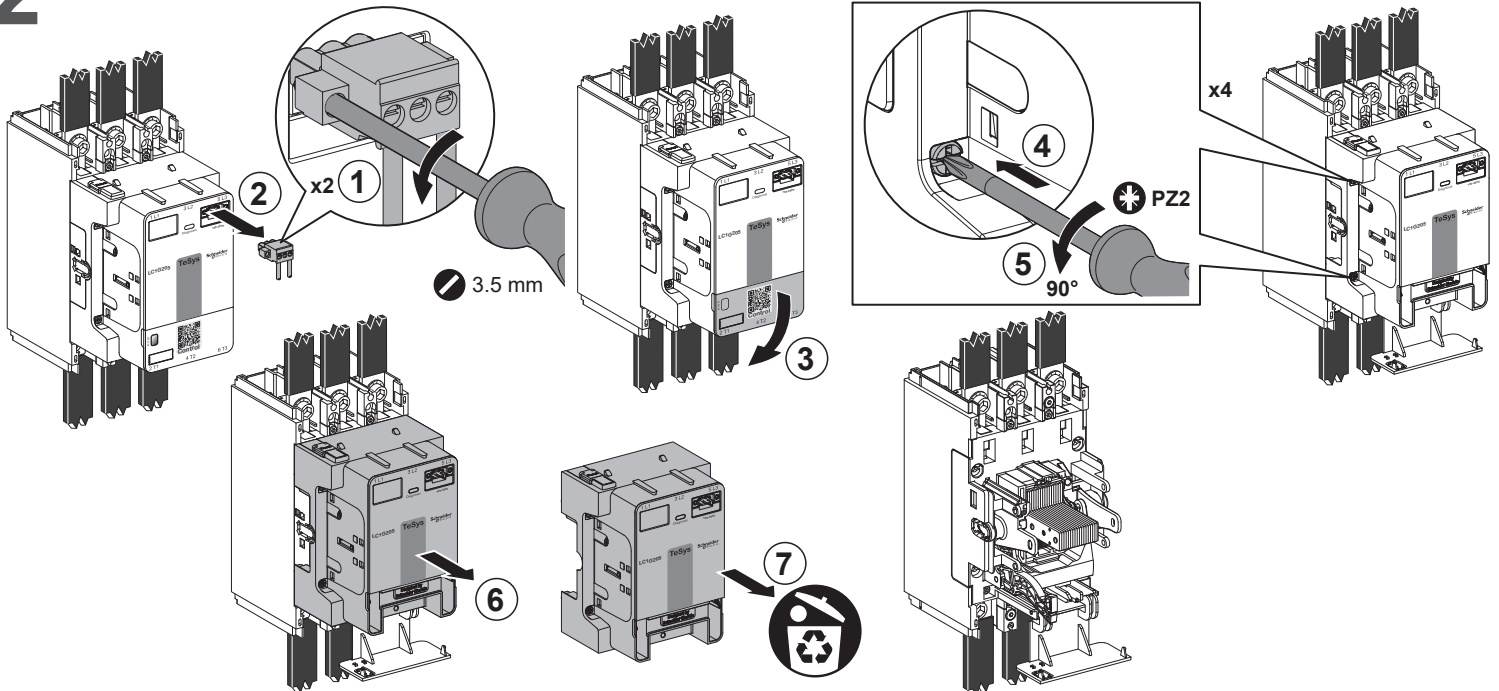


- (en) DOCA0191EN – TeSys Giga Series China - Installation Guide
- (zh) DOCA0191ZH – TeSys Giga Series 中国 - 安装指南

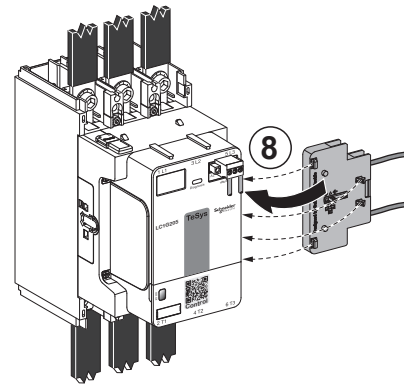
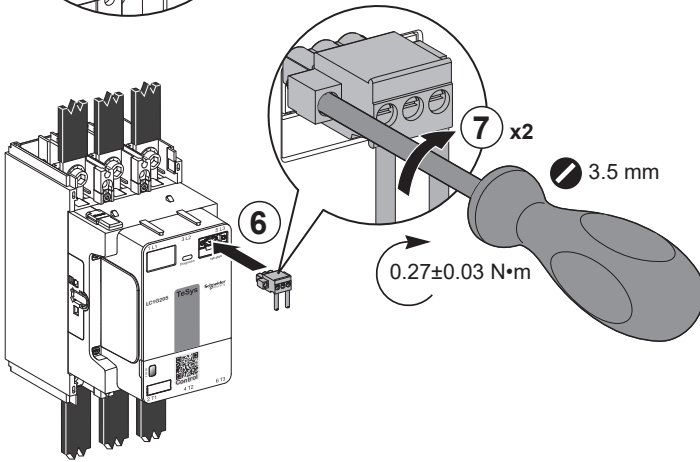
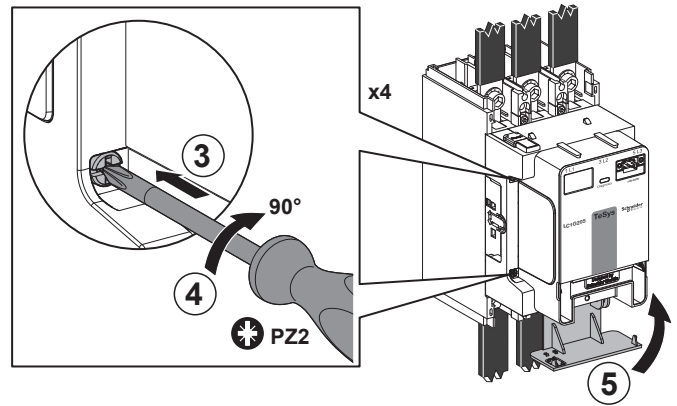
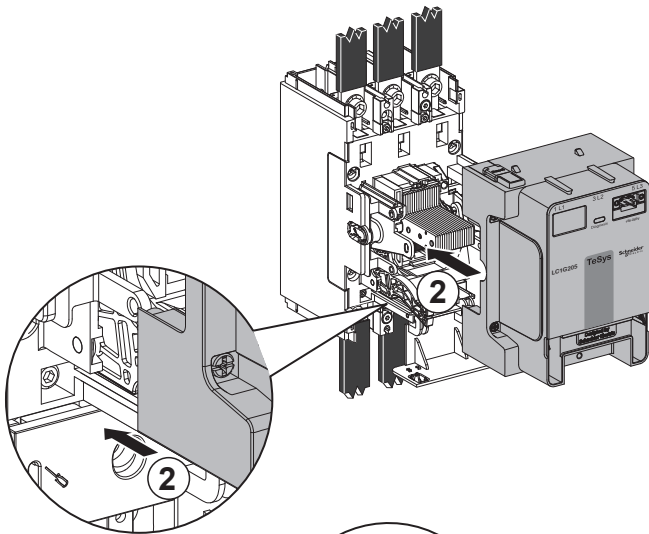
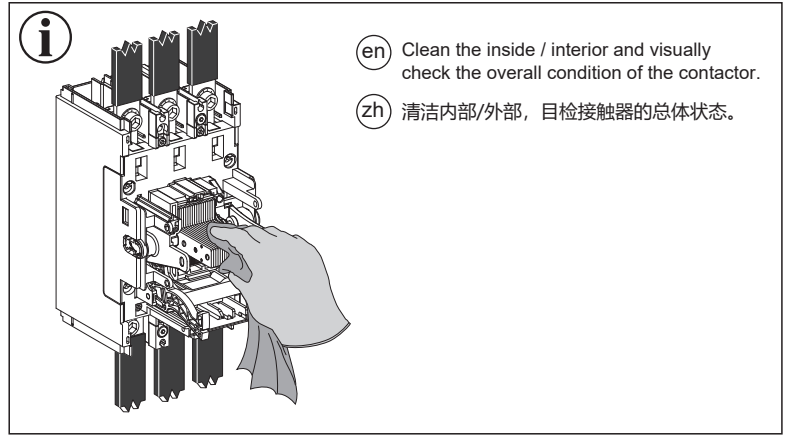
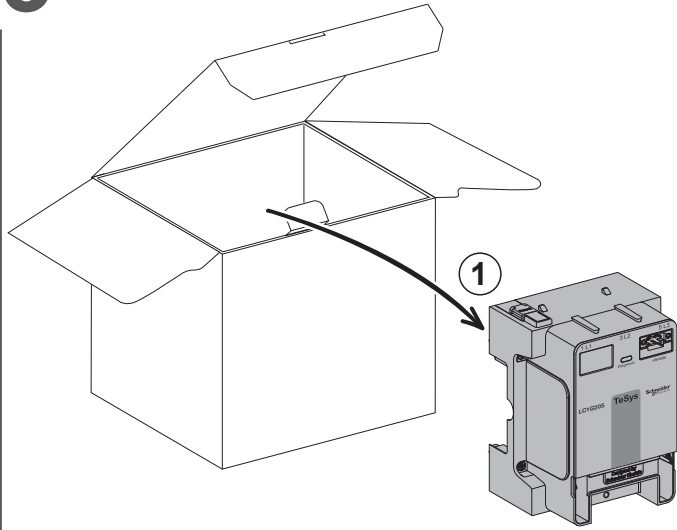
1 Contactor Preparation / 接触器准备



2 Removal / 拆卸



3 Installation / 安装



i Advanced Diagnostic Accessories Compatibility / 高级诊断附件兼容性

	LX1G3●●●●C	LX1G3●LSEMC
LA9GRD01 LA9GRD10		
LA9GRDMD		

Note: LX1G3●LSEMC is compatible with remote diagnosis Modbus module LA9GRDMD.
注: LX1G3●LSEMC 兼容远程诊断 Modbus 模块 LA9GRDMD。