



Technical Catalogue

Pro Series



clipsal.com/proseries

Life Is 

 **CLIPSAL**[®]
by Schneider Electric



Contents



Functions	10-54
Switches	11-19
Socket Outlets	20-33
RCD Socket Outlet	34
USB Charger Socket Outlet.....	35
USB Charger Modules	36-37
Dimmer Modules	38-39
Motion Sensor Module.....	40
Switch Modules	41-51
Fan Speed Controller Module.....	52
LED Indicator Modules.....	53
Data Modules	54-55
Mounting Accessories	56-62
Cut-out Diagrams.....	63-64
Build Your Own Product Function Overview.....	65
Reference Codes Index	66

Pro Series – clever, strong, easy

Pro Series is a range of robust switches and sockets designed to meet the needs of commercial buildings.

Clever features

After extensive market research and listening to customer feedback, we have designed a range of switches and sockets for commercial buildings. Pro Series offers permanent circuit identification with integrated windows. The skin is secured in place helping to protect your investment. Planning, commissioning and installing of Pro Series is quick and easy.

Attractive design

The range is aesthetically appealing with fresh, clean lines and beveled edges to deflect impacts. Available in white and black, the switches and sockets will blend into any commercial environment. The clean and seamless design makes for an elegant appearance and avoids attracting dirt.

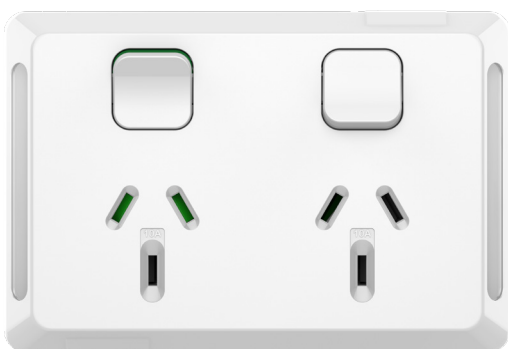
Extensive functions

The Pro Series range includes switches and sockets, RCD sockets, and USB chargers. It can be combined with a variety of 40-Series modules, including data jacks, dimmers, motion sensors, and C-Bus input units.

Long-lasting and robust

Sockets positioned low on walls can be exposed to rough conditions like bumps from trolleys and other equipment, which can often result in cracked or broken skins. That's why Pro Series sockets are made extra tough and have an IK08 impact rating*.

*Standard sockets only, does not include switches or sockets with extra switches.



Pro Series socket, white



Pro Series socket, black



Circuit ID window



Clip-on Skins (tool removal)



Impact deflection



Seamless design



IK08 impact resistant

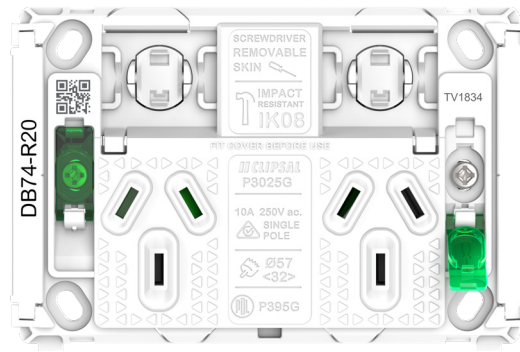


Extensive list of functions

Clever features

Clear advantages

With Pro Series, a clear window is included to help protect the circuit identification labels. No longer can circuit identifiers be damaged, wiped off, or made unreadable. The labels adhere to panels designed into the grids, so even if skins are inadvertently swapped during maintenance, the labels will always display the correct circuit identification. There are two windows on opposite edges, so it can be visible from various angles.

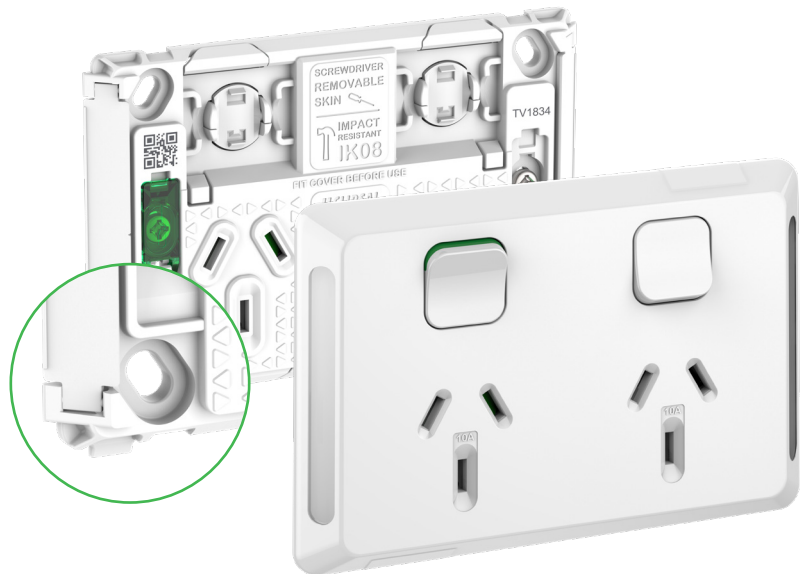


Consistent location on sockets and switches

Compatible with 9 mm Dymo and Traffolyte labels 55 x 7.5 x 1.6 mm

Public Spaces

Lost skins are a frequent problem in public buildings. The Pro Series comes with skins that clip-on but require a tool to remove. Fixing them is easy and fast – you simply click them onto the grid. No screws are needed. Special notches on the skins allow quick and easy removal with a specific skin removal tool or a screwdriver..



Easier fit-offs

Switch plates

Locking bar

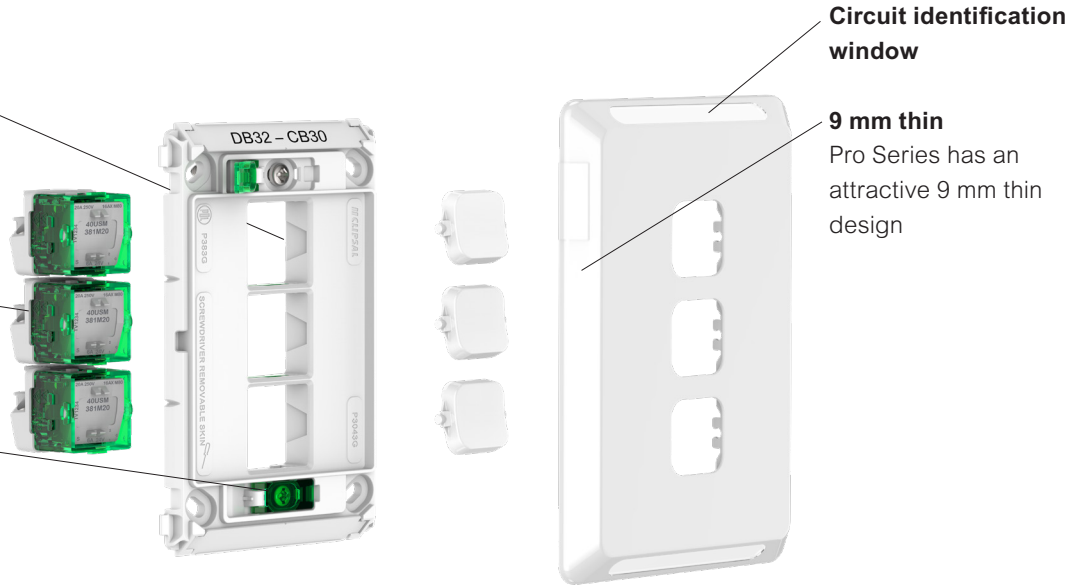
Helps to reduce the potential of module pushbacks, and makes it easier to change and upgrade

40-Series modules

Fully compatible with all 40 Series modules

Screw covers

Help limit direct access to the screws after installation



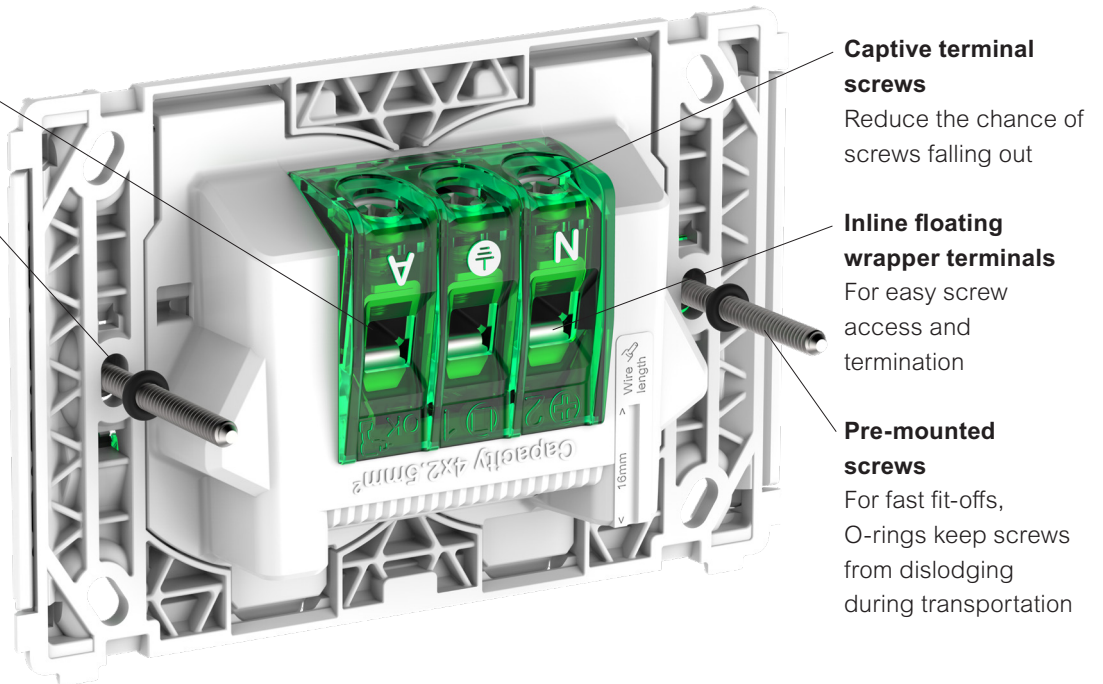
Sockets

Large terminals

Accommodate up to 4 x 2.5 mm cables

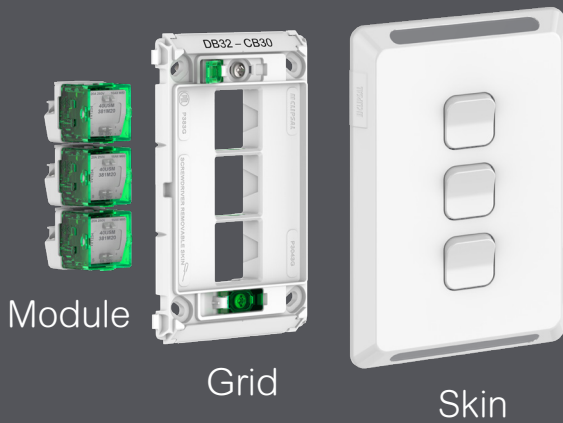
Standard mounting

84 mm mounting centres fit standard mounting accessories





Ordering Information



The modular design of Pro Series allows the creation of customized configurations to suit specific application requirements.

Pro Series Skin - Reference code convention

P 3 0 4 1 C - X W

P = Pro Series, 3041 = 1-gang Switch,
C = Skin, XW= Extra White



P 3 0 4 1 C - B K

P = Pro Series, 3041 = 1-gang Switch,
C = Skin, BK = Black



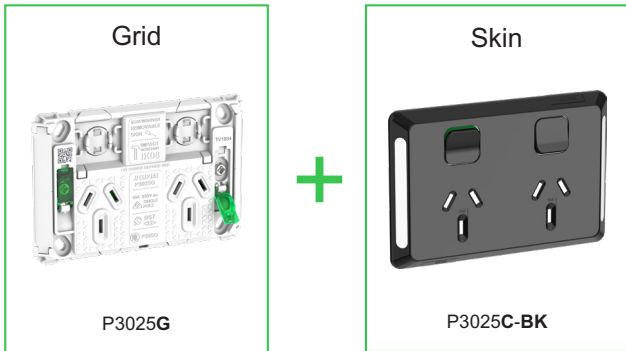
Pro Series Grid - Reference code convention

P 3 0 4 1 G

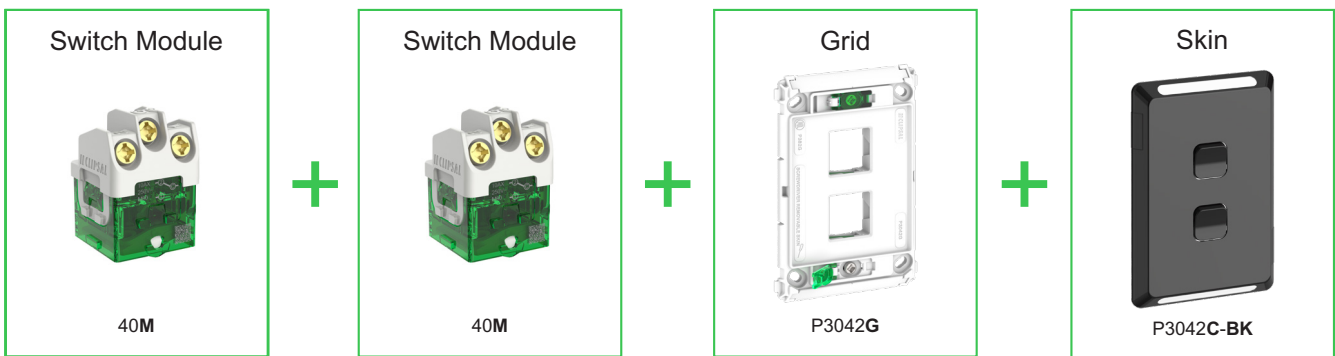
G = Grid



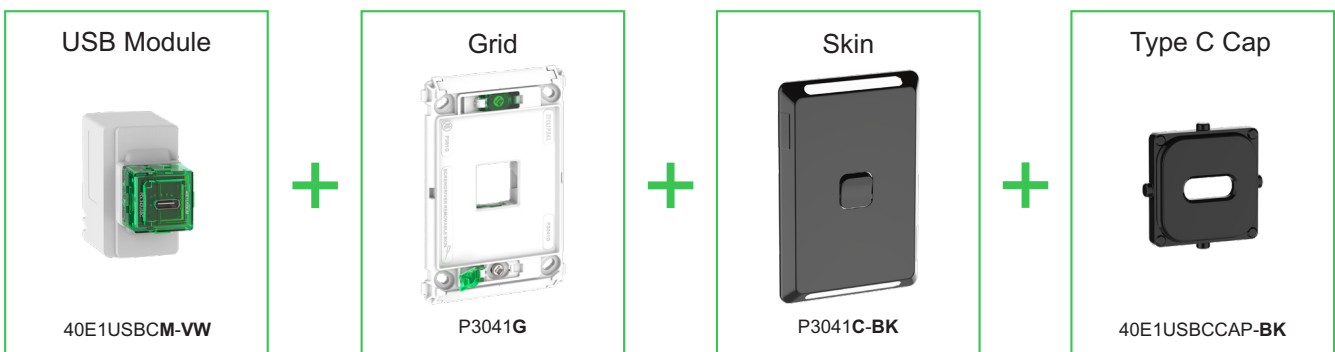
Twin socket outlet in black - Ordering information



2-gang switch in black - Ordering information



USB Fast charger in black - Ordering information



Wiring Devices



Vertical Switches with Modules

P3041VA - P3042VA - P3043VA - P3044VA - P3045VA - P3046VA

Main						
Commercial reference	P3041VA	P3042VA	P3043VA	P3044VA	P3045VA	P3046VA
Colour	XW - Extra White					
Electrical rating	20 A/16 AX, 250 V AC, 50 Hz					

Complementary						
Switch function	1/2-way					
Number of gangs	1	2	3	4	5	6
Actuator	Rocker					
Surface finish	Gloss					
Load type	Inductive, Light, Fluorescent lamp, and LED					
Motor M-rating AS3133	M80					
Ambient air temperature for operation	0...45 °C					
Relative humidity	10...95 %					
Electrical durability	10,000 operations @ 20 A, conforming to AS/NZS 60669.1					
Mounted method	By screws					
Connections - terminals	4 × screw terminals					
Screwdriver shape	Philips (No 2); Square drive No 1 (SQ1)					
Cable size capacity	4 × 1.5 mm ² ; 3 × 2.5 mm ²					
Wire stripping length	10 mm					
Material	Grid plate: PC (Polycarbonate) Screw cap: PC (Polycarbonate) Infill: ABS (Acrylonitrile Butadiene-Styrene) Skin: ABS (Acrylonitrile Butadiene-Styrene) Window: PC (Polycarbonate) Housing: PC (Polycarbonate); PA66 (polyamide) Locking bar: POM (Polyoxymethylene)					
Dimensions (H × W × D)	116 × 78 × 28 mm					
Product weight	60 g	82 g	97 g	114 g	108 g	125 g
Pack size	Set of 10					
Product certifications	RCM					



P3041VA-XW



P3042VA-XW



P3043VA-XW



P3044VA-XW

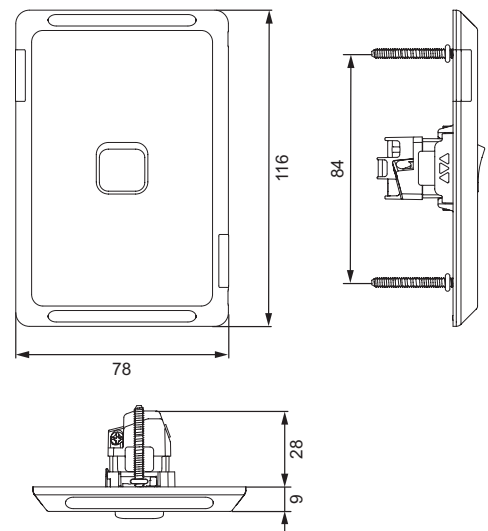


P3045VA-XW



P3046VA-XW

Dimensions (mm)



Switch Grids with Skin

P3041VH - P3042VH - P3043VH - P3044VH - P3045VH - P3046VH

Main						
Commercial reference	P3041VH	P3042VH	P3043VH	P3044VH	P3045VH	P3046VH
Colour	XW - Extra White					
Complementary						
Number of gangs	1	2	3	4	5	6
Surface finish	Gloss					
Ambient air temperature for operation	0...45 °C					
Relative humidity	10...95 %					
Mounted method	By screws					
Screwdriver shape	Philips (No 2); Square drive No 1 (SQ1)					
Material	Grid plate: PC (Polycarbonate) Screw cap: PC (Polycarbonate) Infill: ABS (Acrylonitrile Butadiene-Styrene) Locking bar: POM (Polyoxymethylene) Skin: ABS (Acrylonitrile Butadiene-Styrene) Window: PC (Polycarbonate)					
Dimensions (H × W × D)	76 × 116 × 5 mm					
Product weight	51 g	51 g	94 g	94 g	94 g	94 g
Pack size	Set of 10					



P3041VH-XW



P3042VH-XW



P3043VH-XW



P3044VH-XW

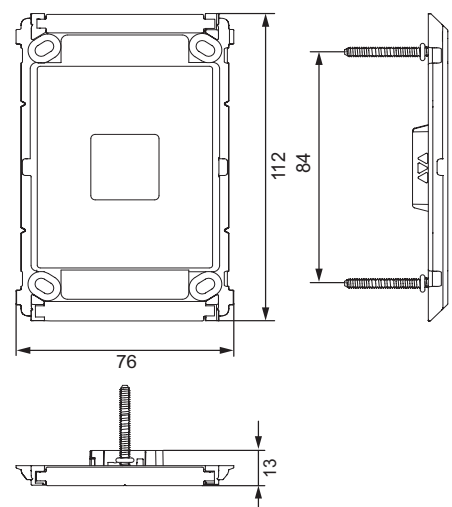


P3045VH-XW



P3046VH-XW

Dimensions (mm)



Switch Grids

P3041G - P3042G - P3043G - P3044G - P3045G - P3046G

Main						
Commercial reference	P3041G	P3042G	P3043G	P3044G	P3045G	P3046G
Complementary						
Number of gangs	1	2	3	4	5	6
Ambient air temperature for operation	0...45 °C					
Relative humidity	10...95 %					
Mounted method	By screws					
Screwdriver shape	Philips (No 2); Square drive No 1 (SQ1)					
Material	Grid plate: PC (Polycarbonate) Screw cap: PC (Polycarbonate) Infill: ABS (Acrylonitrile Butadiene-Styrene) Locking bar: POM (Polyoxymethylene)					
Dimensions (H × W × D)	112 × 76 × 5 mm					
Product weight	32 g	32 g	30 g	30 g	32 g	30 g
Pack size	Set of 10					



P3041G



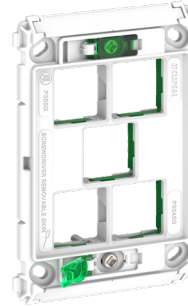
P3042G



P3043G



P3044G

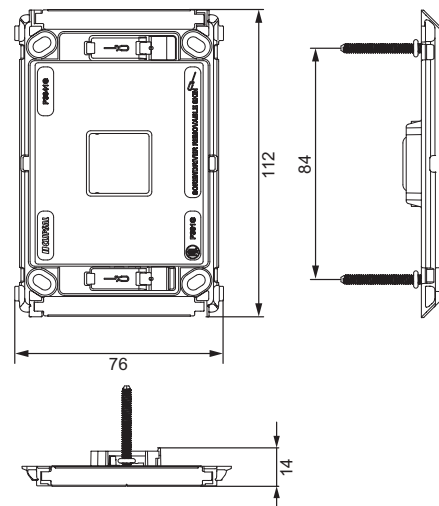


P3045G



P3046G

Dimensions (mm)



Switch Skins

P3041C - P3042C - P3043C - P3044C - P3045C - P3046C

Main

Commercial reference	P3041C	P3042C	P3043C	P3044C	P3045C	P3046C
Colour	XW - Extra White, BK- Black					
Product destination	Switch					

Complementary

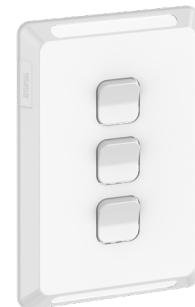
Number of gangs	1	2	3	4	5	6
Fixing mode	Clip-on					
Surface finish	Gloss					
Ambient air temperature for operation	0...45 °C					
Relative humidity	10...95 %					
Material	Skin: ABS (Acrylonitrile Butadiene-Styrene) Window: PC (Polycarbonate)					
Dimensions (H × W × D)	116 × 78 × 9 mm					
Product weight	19 g	20 g	21 g	22 g	21 g	22 g
Pack size	Set of 20					



P3041C-XW



P3042C-BK



P3043C-XW



P3044C-BK

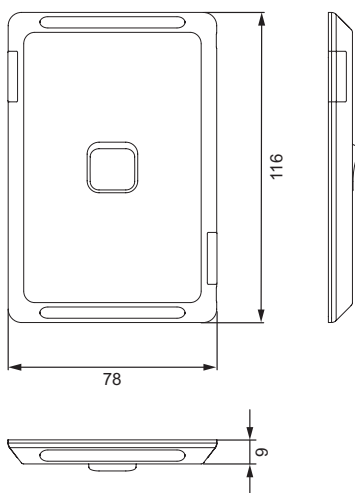


P3045C-XW



P3046C-BK

Dimensions (mm)

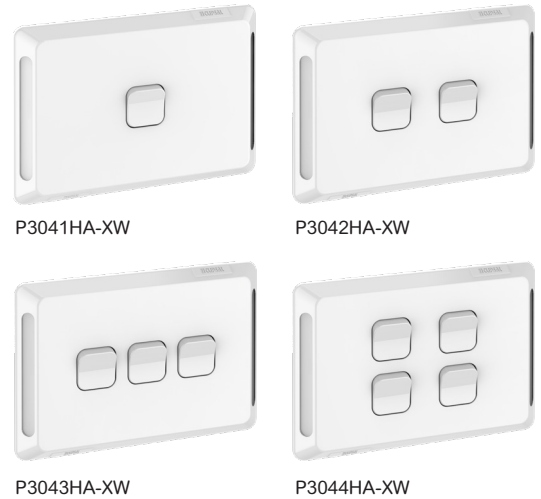


Horizontal Switches with Modules

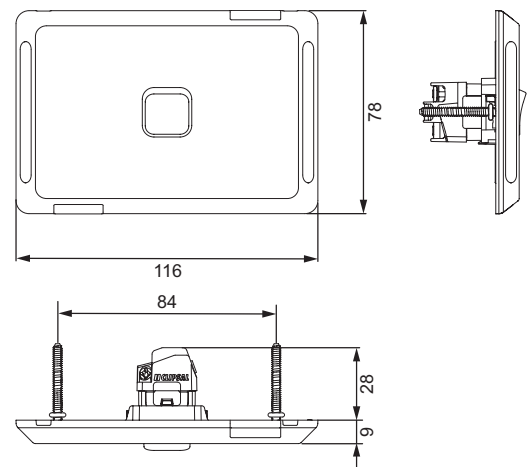
P3041HA - P3042HA - P3043HA - P3044HA

Main				
Commercial reference	P3041HA	P3042HA	P3043HA	P3044HA
Colour	XW - Extra White			
Electrical rating	20 A/16 AX, 250 V AC, 50 Hz			

Complementary				
Switch function	1/2-way			
Number of gangs	1	2	3	4
Actuator	Rocker			
Surface finish	Gloss			
Load type	Inductive, Light, Fluorescent lamp, and LED			
Motor M-rating AS3133	M80			
Ambient air temperature for operation	0...45 °C			
Relative humidity	10...95 %			
Electrical durability	10,000 operations @ 20A, conforming to AS/NZS 60669.1			
Mounted method	By screws			
Connections - terminals	4 × screw terminals			
Screwdriver shape	Philips (No 2); Square drive No 1 (SQ1)			
Cable size capacity	4 × 1.5 mm ² ; 3 × 2.5 mm ²			
Wire stripping length	10 mm			
Material	Grid plate: PC (Polycarbonate) Screw cap: PC (Polycarbonate) Infill: ABS (Acrylonitrile Butadiene-Styrene) Skin: ABS (Acrylonitrile Butadiene-Styrene) Window: PC (Polycarbonate) Housing: PC (Polycarbonate); PA66 (polyamide) Locking bar: POM (Polyoxymethylene)			
Dimensions (H × W × D)	78 × 116 × 28 mm			
Product weight	50 g	66 g	76 g	92 g
Pack size	Set of 10			
Product certifications	RCM			



Dimensions (mm)



Blank Plates

P3040VX

Main

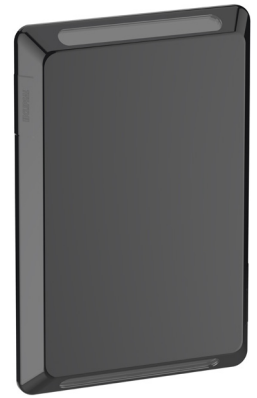
Commercial reference	P3040VX
Colour	XW - Extra White, BK - Black
Provided equipment	Screws, Grid plate, and Skin

Complementary

Fixing mode	By screws
Surface finish	Gloss
Screwdriver shape	Philips (No 2); Square drive No 1 (SQ1)
Ambient air temperature for operation	0...45 °C
Relative humidity	10...95 %
Material	Grid plate: PC (Polycarbonate) Screw cap: PC (Polycarbonate) Infill: ABS (Acrylonitrile Butadiene-Styrene) Skin: ABS (Acrylonitrile Butadiene-Styrene) Window: PC (Polycarbonate)
Dimensions (H × W × D)	116 × 78 × 9 mm
Product weight	40 g
Pack size	Set of 10

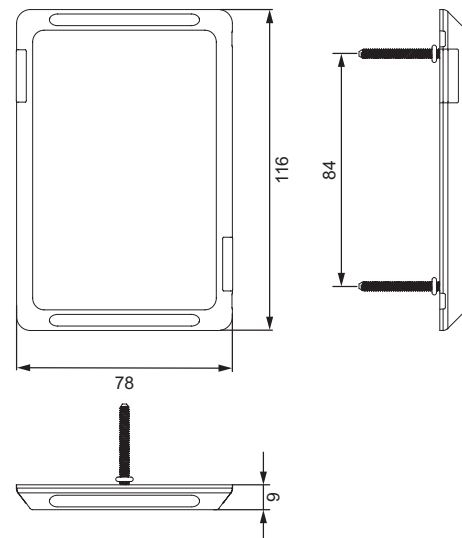


P3040VX-XW



P3040VX-BK

Dimensions (mm)



Cooker Switches

P3041-45 - P3041D45

Main

Commercial reference	P3041-45	P3041D45
Colour	XW - Extra White	
Electrical rating	45 A, 250 V AC, 50 Hz	

Complementary

Switch function	1-way	2-pole 1-way
Number of gangs	1	
Actuator	Rocker	
Surface finish	Gloss	
Load type	Inductive, Resistive	
Ambient air temperature for operation	0...45 °C	
Relative humidity	10...95 %	
Electrical durability	10,000 operations @ 45 A, conforming to AS/NZS 60669.1	
Mounted method	By screws	
Connections - terminals	4 × screw terminals	6 × screw terminals
Screwdriver shape	Philips (No 2); Square drive No 1 (SQ1)	
Cable size capacity	3 × 6 mm ² ; 1 × 16 mm ²	
Wire stripping length	10 mm	
Material	Grid plate: PC (Polycarbonate) Screw cap: PC (Polycarbonate) Infill: ABS (Acrylonitrile Butadiene-Styrene) Skin: ABS (Acrylonitrile Butadiene-Styrene) Window: PC (Polycarbonate) Housing: PA66 (polyamide)	
Dimensions (H × W × D)	116 × 78 × 28 mm	
Product weight	50 g	96 g
Pack size	Set of 5	
Product certifications	RCM	

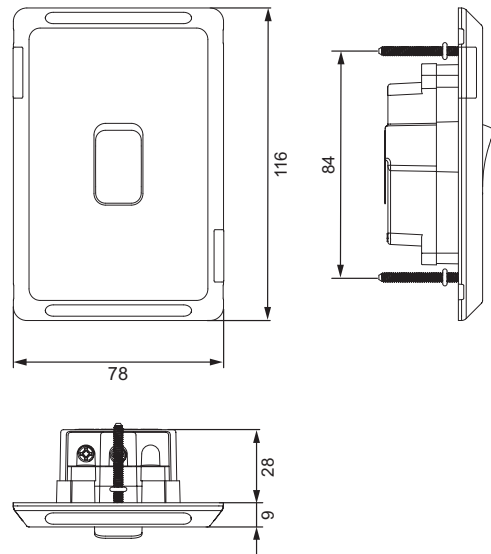


P3041-45-XW



P3041D45-XW

Dimensions (mm)



IP44 Rated Switches with Modules

P3041V44 - P3042V44 - P3043V44 - P3044V44

Main				
Commercial reference	P3041V44	P3042V44	P3043V44	P3044V44
Colour	XW - Extra White			
Electrical rating	20 A/16 AX, 250 V AC, 50 Hz			

Complementary				
Switch function	1/2-way			
Number of gangs	1	2	3	4
Actuator	Rocker			
Surface finish	Gloss			
Load type	Inductive, Light, Fluorescent lamp, and LED			
Ambient air temperature for operation	0...45 °C			
Relative humidity	10...95 %			
Electrical durability	10,000 operations @ 20 A, conforming to AS/NZS 60669.1			
Mounted method	By screws			
Connections - terminals	4 × screw terminals			
Screwdriver shape	Philips (No 2); Square drive No 1 (SQ1)			
Cable size capacity	4 × 1.5 mm ² ; 3 × 2.5 mm ²			
Wire stripping length	10 mm			
Material	Grid plate: PC (Polycarbonate) Screw cap: PC (Polycarbonate) Infill: ABS (acrylonitrile butadiene-styrene) Skin: ABS (acrylonitrile butadiene-styrene) Gasket frame: ABS (acrylonitrile butadiene-styrene)		Window: PC (Polycarbonate) Housing: PC (Polycarbonate); PA66 (polyamide) Locking bar: POM (Polyoxymethylene) Gasket: TPE (thermoplastic elastomer)	
Dimensions (H × W × D)	116 × 78 × 23 mm			
Product weight	105 g	12 g	135 g	135 g
Pack size	Set of 10			
Product certifications	RCM			
IP degree of protection	IP44			



P3041V44-XW



P3042V44-XW

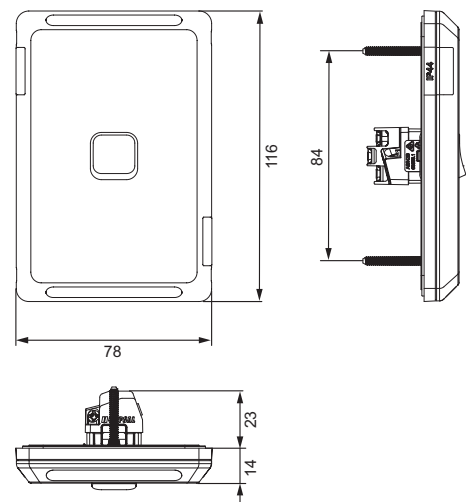


P3043V44-XW



P3044V44-XW

Dimensions (mm)



Architrave Switches with Modules

P3041A - P3042A

Main		
Commercial reference	P3041A	P3042A
Colour	XW - Extra White, BK- Black	
Electrical rating	20 A/16 AX, 250 V AC, 50 Hz	
Complementary		
Switch function	1/2-way	
Number of gangs	1	2
Actuator	Rocker	
Surface finish	Gloss	
Load type	Inductive, Light, Fluorescent lamp, and LED	
Motor M-rating AS3133	M80	
Ambient air temperature for operation	0...45 °C	
Relative humidity	10...95 %	
Electrical durability	20,000 operations @ 10 A, conforming to AS/NZS 60669.1	
Mounted method	By screws	
Connections - terminals	4 × screw terminals	
Screwdriver shape	Phillips (No 2); Square drive No 1 (SQ1)	
Cable size capacity	4 × 1.5 mm ² ; 3 × 2.5 mm ²	
Wire stripping length	10 mm	
Material	Skin: PC (Polycarbonate) Skin: ABS (Acrylonitrile Butadiene-Styrene) Grid plate: PC (Polycarbonate) Flaps: PP (polypropylene) Housing: PC (Polycarbonate); PA66 (polyamide) Locking bar: POM (Polyoxymethylene)	
Dimensions (H × W × D)	113 × 38 × 28 mm	
Product weight	46 g	63 g
Pack size	Set of 10	
Product certifications	RCM	

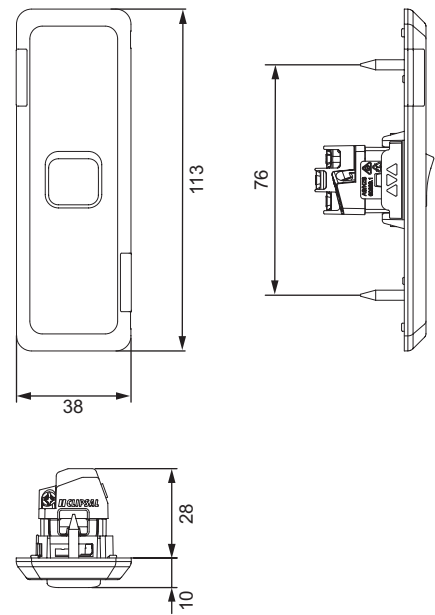


P3041A-XW



P3042A-BK

Dimensions (mm)



Horizontal Switched Twin Socket Outlets

P3025 - P3025-15

Main

Commercial reference	P3025	P3025-15
Colour	XW - Extra White	
Outlet poles configuration	2P + E with shutter	
Electrical rating	10/15 A, 250 V AC, 50 Hz	

Complementary

Number of power socket outlets	2	
Outlet standard description	With earth contact	
Outlet standard	Australia/New Zealand	
Surface finish	Gloss	
Ambient air temperature for operation	0...45 °C	
Relative humidity	10...95 %	
Electrical durability	12,000	10,000
Mechanical durability	20,000 plugging operating cycles	
Mounted method	By screws (horizontal)	
Connections - terminals	3 × screw terminals	
Screwdriver shape	Philips No 2 (PH2); Square drive No 1 (SQ1)	
Cable size capacity	4 × 2.5 mm ² ; 3 × 4.0 mm ²	
Wire stripping length	16 mm	
Material	Grid plate: PC (Polycarbonate) Screw cap: PC (Polycarbonate) Infill: ABS (Acrylonitrile Butadiene-Styrene) Shutter: POM (Polyoxymethylene) Skin: ABS (Acrylonitrile Butadiene-Styrene) Window: PC (Polycarbonate)	
IK degree of protection	IK08	
Dimensions (H × W × D)	78 × 116 × 18 mm	
Product weight	104 g	94 g
Pack size	Set of 10	
Standards	AS/NZS 3112	
Product certifications	RCM	

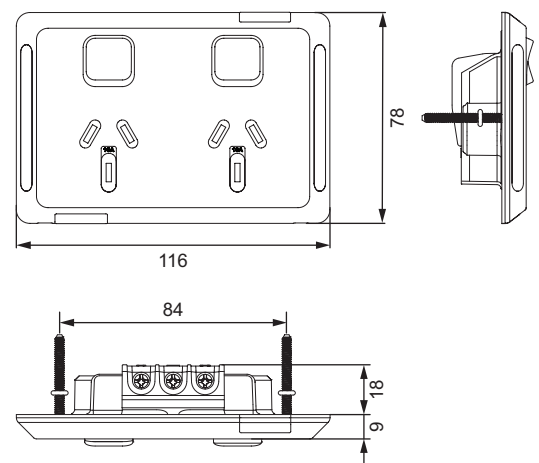


P3025-XW



P3025-15-XW

Dimensions (mm)

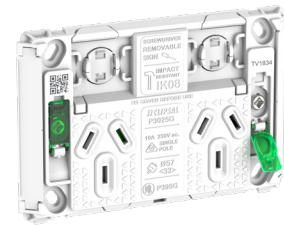


Horizontal Switched Twin Socket Outlet Grids

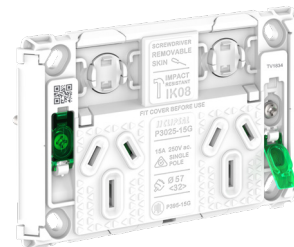
P3025G - P3025-15G

Main		
Commercial reference	P3025G	P3025-15G
Outlet poles configuration	2P + E with shutter	
Electrical rating	10/15 A, 250 V AC, 50 Hz	

Complementary		
Number of power socket outlets	2	
Outlet standard description	With earth contact	
Outlet standard	Australia/New Zealand	
Ambient air temperature for operation	0...45 °C	
Relative humidity	10...95 %	
Electrical durability	12,000	10,000
Mechanical durability	20,000 plugging operating cycles	
Mounted method	By screws (horizontal)	
Connections - terminals	3 × screw terminals	
Screwdriver shape	Philips No 2 (PH2); Square drive No 1 (SQ1)	
Cable size capacity	4 × 2.5 mm ² ; 3 × 4.0 mm ²	
Wire stripping length	16 mm	
Material	Grid plate: PC (Polycarbonate) Screw cap: PC (Polycarbonate) Infill: ABS (Acrylonitrile Butadiene-Styrene) Shutter: POM (Polyoxymethylene)	
Dimensions (H × W × D)	74 × 112 × 18 mm	
Product weight	87 g	78 g
Pack size	Set of 10	
Standards	AS/NZS 3112	
Product certifications	RCM	

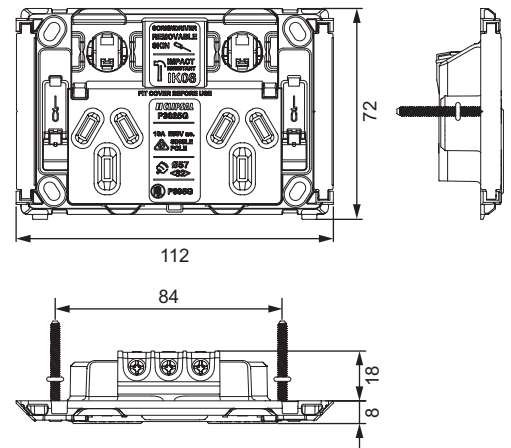


P3025G



P3025-15G

Dimensions (mm)



Horizontal Switched Twin Socket Outlet Skins

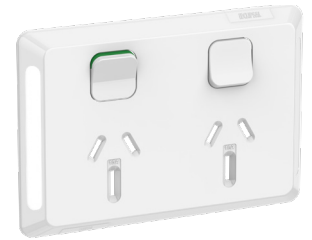
P3025C - P3025-15C

Main		
Commercial reference	P3025C	P3025-15C
Colour	XW - Extra White, BK - Black, RD - Red, DB - Dark Blue, GR - Green	XW - Extra White, BK - Black
Product destination	Switched socket	

Complementary	
Mounted method	Clip-on
Surface finish	Gloss
Ambient air temperature for operation	0...45 °C
Relative humidity	10...95 %
Material	Skin: ABS (Acrylonitrile Butadiene-Styrene) Window: PC (Polycarbonate)
Dimensions (H × W × D)	78 × 116 × 9 mm
Product weight	20 g
Pack size	Set of 20



P3025C-XW



P3025-15C-XW



P3025C-BK



P3025-15C-BK



P3025C-RD

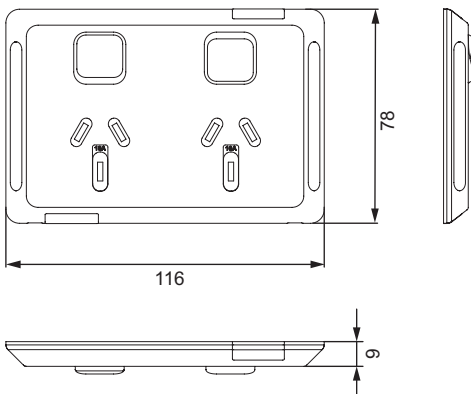


P3025C-DB



P3025C-GR

Dimensions (mm)



Horizontal Switched Single Socket Outlets

P3015 - P3015-15 - P3015-20

Main

Commercial reference	P3015	P3015-15	P3015-20
Colour	XW - Extra White		
Outlet poles configuration	2P + E with shutter		
Electrical rating	10/15/20 A, 250 V AC, 50 Hz		

Complementary

Number of power socket outlets	1		
Outlet standard description	With earth contact		
Outlet standard	Australia/New Zealand		
Surface finish	Gloss		
Ambient air temperature for operation	0...45 °C		
Relative humidity	10...95 %		
Electrical durability	12,000	10,000	9,000
Mechanical durability	20,000 plugging operating cycles		
Mounted method	By screws (horizontal)		
Connections - terminals	3 × screw terminals		
Screwdriver shape	Phillips No 2 (PH2); Square drive No 1 (SQ1)		
Cable size capacity	4 × 2.5 mm ² ; 3 × 4.0 mm ²		
Wire stripping length	16 mm		
Material	Grid plate: PC (Polycarbonate) Screw cap: PC (Polycarbonate) Infill: ABS (Acrylonitrile Butadiene-Styrene) Shutter: POM (Polyoxymethylene) Skin: ABS (Acrylonitrile Butadiene-Styrene) Window: PC (Polycarbonate)		
IK degree of protection	IK08		
Dimensions (H × W × D)	78 × 116 × 23 mm		
Product weight	94 g		
Pack size	Set of 10		
Standards	AS/NZS 3112		
Product certifications	RCM		



P3015-XW

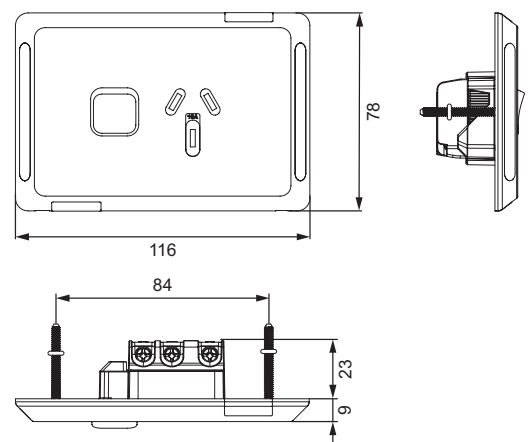


P3015-15-XW



P3015-20-XW

Dimensions (mm)



Horizontal Switched Twin Socket Double Pole

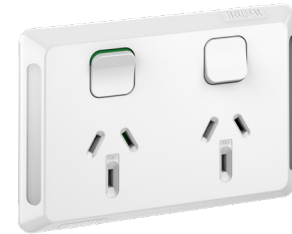
P3025D

Main

Commercial reference	P3025D
Colour	XW - Extra White
Outlet poles configuration	2P + E with shutter
Electrical rating	10 A, 250 V AC, 50 Hz

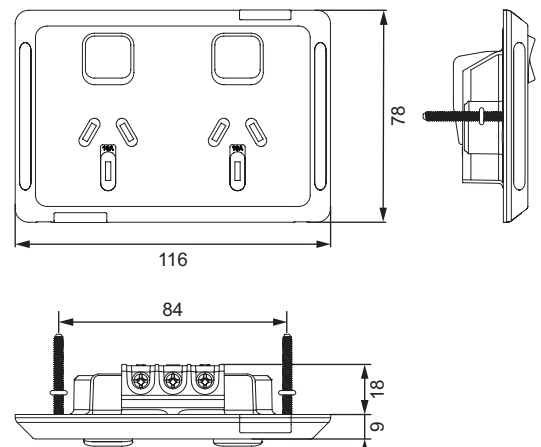
Complementary

Number of power socket outlets	2
Outlet standard description	With earth contact
Outlet standard	Australia/New Zealand
Surface finish	Gloss
Ambient air temperature for operation	0...45 °C
Relative humidity	10...95 %
Electrical durability	12,000 operating cycles to AS/NZS 3133
Mechanical durability	20,000 plugging operating cycles
Connections - terminals	3 × screw terminals
Screwdriver shape	Philips No 2 (PH2); Square drive No 1 (SQ1)
Cable size capacity	4 × 2.5 mm ² ; 3 × 4.0 mm ²
Wire stripping length	16 mm
Material	Grid plate: PC (Polycarbonate) Screw cap: PC (Polycarbonate) Infill: ABS (Acrylonitrile Butadiene-Styrene) Shutter: POM (Polyoxymethylene) Skin: ABS (Acrylonitrile Butadiene-Styrene) Window: PC (Polycarbonate)
Dimensions (H × W × D)	78 × 116 × 18 mm
Product weight	98 g
Standards	AS/NZS 3112
Product certifications	RCM



P3025D-XW

Dimensions (mm)



Horizontal Switched Single Socket Outlet with Extra Switch

P3015XA

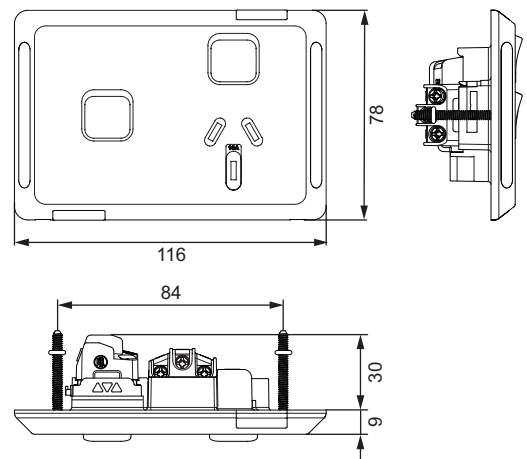
Main	
Commercial reference	P3015XA
Colour	XW - Extra White
Outlet poles configuration	2P + E with shutter
Electrical rating	250 V AC, 50 Hz

Complementary	
Number of power socket outlets	1
Outlet standard description	With earth contact
Outlet standard	Australia/New Zealand
Switch function	2-way
Mounting mode	Horizontal
Surface finish	Gloss
Sale per indivisible quantity	1
Rated current	10 A for socket 20 A/16 AX for switch
Ambient air temperature for operation	0...45 °C
Relative humidity	10...95 %
Electrical durability	12,000 operating cycles to AS/NZS 3133
Mechanical durability	20,000 plugging operating cycles
Mounted method	By screw
Connections - terminals	Screw terminal
Number of terminals	3
Screwdriver shape	Philips No 2 (PH2); Square drive No 1 (SQ1)
Cable size capacity	4 × 2.5 mm ² ; 3 × 4.0 mm ²
Wire stripping length	16 mm
Material	Grid plate: PC (Polycarbonate) Screw cap: PC (Polycarbonate) Infill: ABS (Acrylonitrile Butadiene-Styrene) Shutter: POM (Polyoxymethylene) Skin: ABS (Acrylonitrile Butadiene-Styrene) Window: PC (Polycarbonate)
Product weight	94 g
Dimensions (H × W × D)	78 × 116 × 30 mm
Pack size	Set of 10
Standards	AS/NZS 3112
Product certifications	RCM



P3015XA-XW

Dimensions (mm)

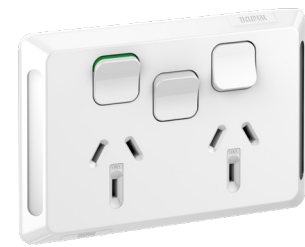


Horizontal Switched Twin Socket Outlet with Extra Switch

P3025XA

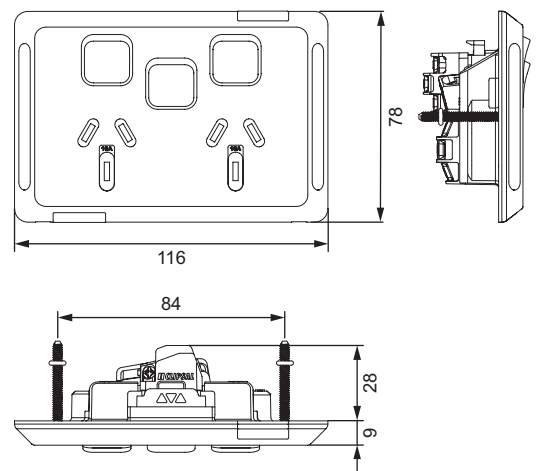
Twin switched socket horizontal 10 A, 250 V with extra switch

Main	
Commercial reference	P3025XA
Colour	XW - Extra White
Outlet poles configuration	2P + E with shutter
Electrical rating	250 V AC, 50 Hz
Complementary	
Socket number	2
Outlet standard description	With earth contact
Outlet standard	Australia/New Zealand
Switch function	2-way
Surface finish	Gloss
Rated current	10 A for socket 20 A/16 AX for switch
Ambient air temperature for operation	0...45 °C
Relative humidity	10...95 %
Electrical durability	12,000 operating cycles to AS/NZS 3133
Mechanical durability	20,000 plugging operating cycles
Mounted method	By screws (horizontal)
Connections - terminals	Screw terminal
Number of terminals	3
Screwdriver shape	Philips No 2 (PH2); Square drive No 1 (SQ1)
Cable size capacity	4 × 2.5 mm ² ; 3 × 4.0 mm ²
Wire stripping length	16 mm
Material	Grid plate: PC (Polycarbonate) Screw cap: PC (Polycarbonate) Infill: ABS (Acrylonitrile Butadiene-Styrene) Shutter: POM (Polyoxymethylene) Skin: ABS (Acrylonitrile Butadiene-Styrene) Window: PC (Polycarbonate)
Dimensions (H × W × D)	78 × 116 × 28 mm
Product weight	11.6 g
Pack size	Set of 10
Standards	AS/NZS 3112
Product certifications	RCM



P3025XA-XW

Dimensions (mm)



Horizontal Switched Quad Socket Outlet

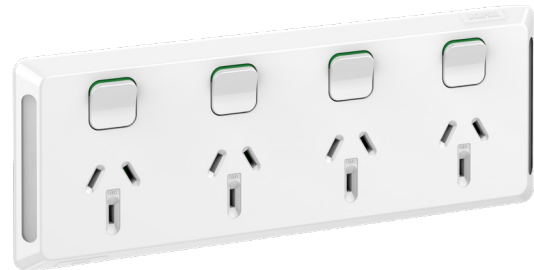
P3015-4

Main

Commercial reference	P3015-4
Colour	XW - Extra White
Outlet poles configuration	2P + E with shutter
Electrical rating	10 A, 250 V AC, 50 Hz

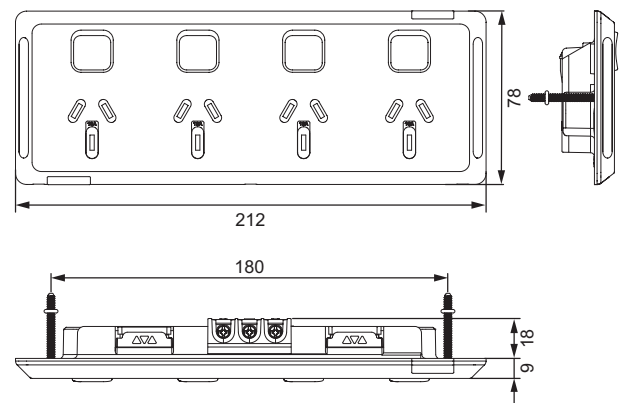
Complementary

Number of power socket outlets	4
Outlet standard description	With earth contact
Outlet standard	Australia/New Zealand
Surface finish	Gloss
Ambient air temperature for operation	0...45 °C
Relative humidity	10...95 %
Electrical durability	12,000 operating cycles to AS/NZS 3133
Mechanical durability	20,000 plugging operating cycles
Mounted method	By screws (horizontal)
Connections - terminals	3 × screw terminals
Screwdriver shape	Philips No 2 (PH2); Square drive No 1 (SQ1)
Cable size capacity	4 × 2.5 mm ² ; 3 × 4.0 mm ²
Wire stripping length	16 mm
Material	Grid plate: PC (Polycarbonate) Screw cap: PC (Polycarbonate) Infill: ABS (Acrylonitrile Butadiene-Styrene) Shutter: POM (Polyoxymethylene) Skin: ABS (Acrylonitrile Butadiene-Styrene) Window: PC (Polycarbonate)
IK degree of protection	IK08
Dimensions (H × W × D)	78 × 212 × 18 mm
Product weight	156 g
Pack size	Set of 5
Standards	AS/NZS 3112
Product certifications	RCM



P3015-4-XW

Dimensions (mm)



Horizontal Switched Quad Socket Outlet with Extra Apertures without Modules

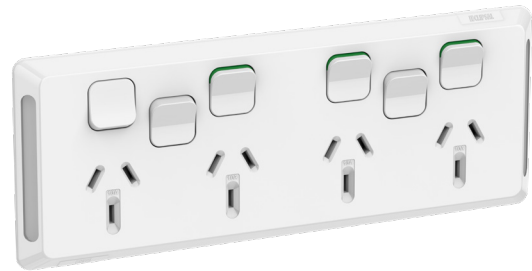
P3015-4XXUA

Main

Commercial reference	P3015-4XXUA
Colour	XW - Extra White
Outlet poles configuration	2P + E with shutter
Electrical rating	10 A, 250 V AC, 50 Hz

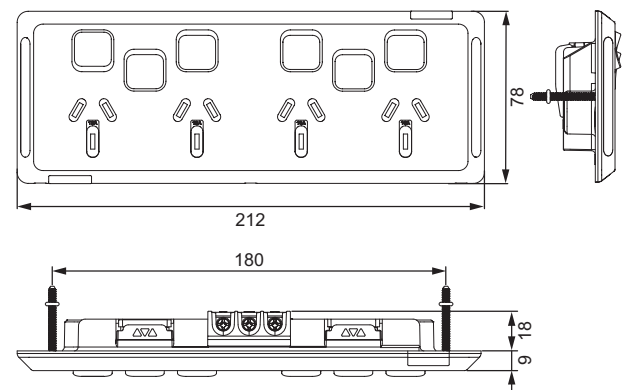
Complementary

Number of power socket outlets	4
Outlet standard description	With earth contact
Outlet standard	Australia/New Zealand
Surface finish	Gloss
Ambient air temperature for operation	0...45 °C
Relative humidity	10...95 %
Electrical durability	12,000 operating cycles to AS/NZS 3133
Mechanical durability	20,000 plugging operating cycles
Mounted method	By screws (horizontal)
Connections - terminals	3 × screw terminals
Screwdriver shape	Philips No 2 (PH2); Square drive No 1 (SQ1)
Cable size capacity	4 × 2.5 mm ² ; 3 × 4.0 mm ²
Wire stripping length	16 mm
Material	Grid plate: PC (Polycarbonate) Screw cap: PC (Polycarbonate) Infill: ABS (Acrylonitrile Butadiene-Styrene) Shutter: POM (Polyoxymethylene) Skin: ABS (Acrylonitrile Butadiene-Styrene) Window: PC (Polycarbonate)
Dimensions (H × W × D)	78 × 212 × 18 mm
Product weight	156 g
Pack size	Set of 5
Standards	AS/NZS 3112
Product certifications	RCM



P3015-4XXUA-XW

Dimensions (mm)



Vertical Switched Single Socket Outlets

P3015V - P3015V15

Main

Commercial reference	P3015V	P3015V15
Colour	XW - Extra White	
Outlet poles configuration	2P + E with shutter	
Electrical rating	10/15 A, 250 V AC, 50 Hz	

Complementary

Number of power socket outlets	1	
Outlet standard description	With earth contact	
Outlet standard	Australia/New Zealand	
Surface finish	Gloss	
Ambient air temperature for operation	0...45 °C	
Relative humidity	10...95 %	
Electrical durability	12,000	10,000
Mechanical durability	20,000 plugging operating cycles	
Mounted method	By screws (vertical)	
Connections - terminals	3 × screw terminals	
Screwdriver shape	Philips No 2 (PH2); Square drive No 1 (SQ1)	
Cable size capacity	4 × 2.5 mm ² ; 3 × 4.0 mm ²	
Wire stripping length	16 mm	
Material	Grid plate: PC (Polycarbonate) Screw cap: PC (Polycarbonate) Infill: ABS (Acrylonitrile Butadiene-Styrene) Shutter: POM (Polyoxymethylene) Skin: ABS (Acrylonitrile Butadiene-Styrene) Window: PC (Polycarbonate)	
IK degree of protection	IK08	
Dimensions (H × W × D)	116 × 78 × 23 mm	
Product weight	96 g	94 g
Pack size	Set of 10	
Standards	AS/NZS 3112	
Product certifications	RCM	

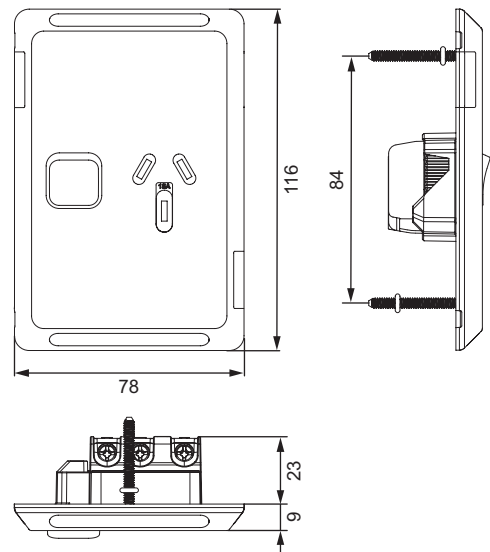


P3015V-XW



P3015V15-XW

Dimensions (mm)



Vertical Switched Twin Socket Outlets

P3025V

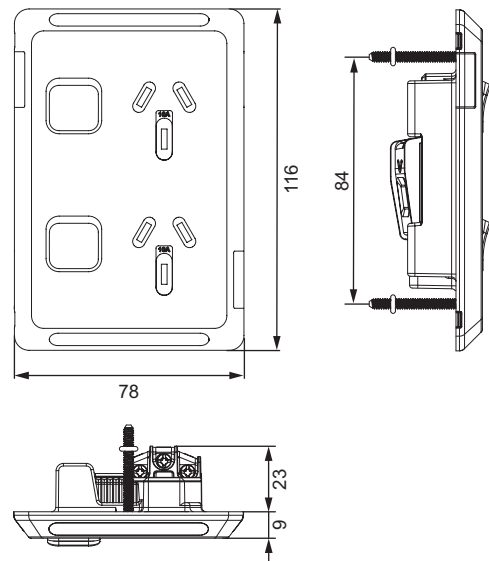
Main	
Commercial reference	P3025V
Colour	XW - Extra White
Outlet poles configuration	2P + E with shutter
Electrical rating	10 A, 250 V AC, 50 Hz

Complementary	
Number of power socket outlets	2
Outlet standard description	With earth contact
Outlet standard	Australia/New Zealand
Surface finish	Gloss
Ambient air temperature for operation	0...45 °C
Relative humidity	10...95 %
Electrical durability	12,000 operating cycles to AS/NZS 3133
Mechanical durability	20,000 plugging operating cycles
Mounted method	By screws (vertical)
Connections - terminals	3 × screw terminals
Screwdriver shape	Philips No 2 (PH2); Square drive No 1 (SQ1)
Cable size capacity	4 × 2.5 mm ² ; 3 × 4.0 mm ²
Wire stripping length	16 mm
Material	Grid plate: PC (Polycarbonate) Screw cap: PC (Polycarbonate) Infill: ABS (Acrylonitrile Butadiene-Styrene) Shutter: POM (Polyoxymethylene) Skin: ABS (Acrylonitrile Butadiene-Styrene) Window: PC (Polycarbonate)
IK degree of protection	IK08
Dimensions (H × W × D)	116 × 78 × 23 mm
Product weight	102 g
Pack size	Set of 10
Standards	AS/NZS 3112
Product certifications	RCM



P3025V-XW

Dimensions (mm)



Vertical Switched Twin Socket Outlets with Extra Switch

P3025VXA

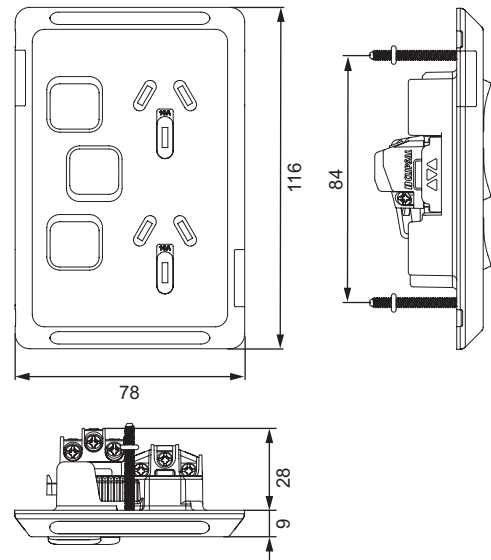
Main	
Commercial reference	P3025VXA
Colour	XW - Extra White
Product or component type	Switched socket
Outlet poles configuration	2P + E with shutter
Electrical rating	10 A, 250 V AC, 50 Hz

Complementary	
Socket number	2
Outlet standard description	With earth contact
Outlet standard	Australia/New Zealand
Switch function	2-way
Surface finish	Gloss
Rated current	10 A for socket 16 AX for switch
Ambient air temperature for operation	0...45 °C
Relative humidity	10...95 %
Service life in cycles	12000 cycles
Electrical durability	12,000 operating cycles to AS/NZS 3133
Mechanical durability	20,000 plugging operating cycles
Mounted method	By screws (vertical)
Connections - terminals	Screw terminal
Number of terminals	3
Screwdriver shape	Philips No 2 (PH2); Square drive No 1 (SQ1)
Cable size capacity	4 × 2.5 mm ² ; 3 × 4.0 mm ²
Wire stripping length	16 mm
Material	Grid plate: PC (Polycarbonate) Screw cap: PC (Polycarbonate) Infill: ABS (Acrylonitrile Butadiene-Styrene) Shutter: POM (Polyoxymethylene) Skin: ABS (Acrylonitrile Butadiene-Styrene) Window: PC (Polycarbonate)
Dimensions (H × W × D)	116 × 78 × 28 mm
Product weight	94 g
Pack size	Set of 10
Standards	AS/NZS 3112
Product certifications	RCM



P3025VXA-XW

Dimensions (mm)



Horizontal Switched Twin Socket Outlet with Round Earth Pin

P3025L

Main

Commercial reference	P3025L
Colour	XW - Extra White
Outlet poles configuration	2P + E with shutter
Electrical rating	10 A, 250 V AC, 50 Hz

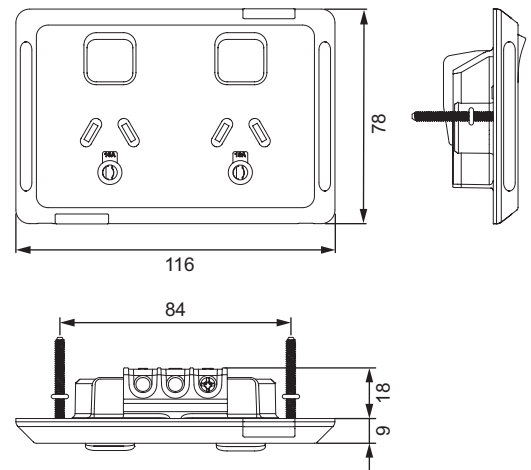
Complementary

Number of power socket outlets	2
Outlet standard description	With earth contact
Outlet standard	Australia/New Zealand
Surface finish	Gloss
Ambient air temperature for operation	0...40 °C
Relative humidity	10...95 %
Electrical durability	12,000 operating cycles to AS/NZS 3133
Mechanical durability	20,000 plugging operating cycles
Mounted method	By screws (horizontal)
Connections - terminals	3 × screw terminals
Screwdriver shape	Philips No 2 (PH2); Square drive No 1 (SQ1)
Cable size capacity	4 × 2.5 mm ² ; 3 × 4.0 mm ²
Wire stripping length	16 mm
Material	Grid plate: PC (Polycarbonate) Screw cap: PC (Polycarbonate) Infill: ABS (Acrylonitrile Butadiene-Styrene) Shutter: POM (Polyoxymethylene) Skin: ABS (Acrylonitrile Butadiene-Styrene) Window: PC (Polycarbonate)
IK degree of protection	IK08
Dimensions (H × W × D)	78 × 116 × 18 mm
Product weight	105 g
Pack size	Set of 10
Standards	AS/NZS 3112
Product certifications	RCM



P3025L-XW

Dimensions (mm)



Horizontal Switched Twin Socket Outlet with LED Power Indicator

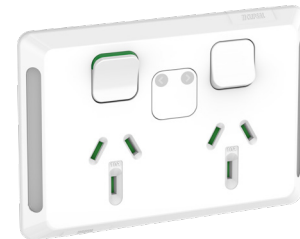
P3025PID

Main

Commercial reference	P3025PID
Colour	XW - Extra White
Outlet poles configuration	2P + E with shutter
Electrical rating	10 A, 250 V AC, 50 Hz

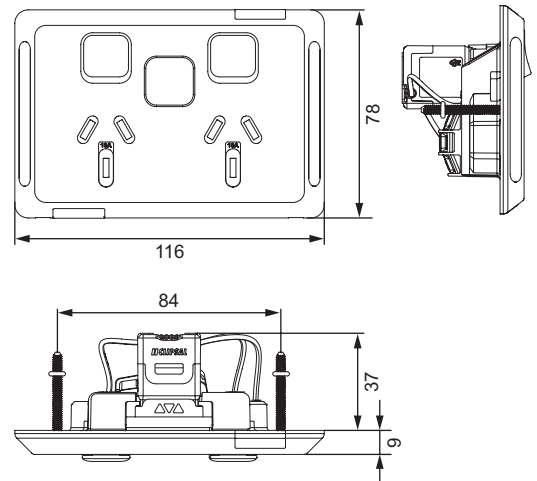
Complementary

Number of power socket outlets	2
Outlet standard description	With earth contact
Outlet standard	Australia/New Zealand
Surface finish	Gloss
Ambient air temperature for operation	0...45 °C
Relative humidity	10...95 %
Electrical durability	12,000 operating cycles to AS/NZS 3133
Mechanical durability	20,000 plugging operating cycles
Mounted method	By screws (horizontal)
Connections - terminals	3 × screw terminals
Screwdriver shape	Philips No 2 (PH2); Square drive No 1 (SQ1)
Cable size capacity	4 × 2.5 mm ² ; 3 × 4.0 mm ²
Wire stripping length	16 mm
Material	Grid plate: PC (Polycarbonate) Screw cap: PC (Polycarbonate) Infill: ABS (Acrylonitrile Butadiene-Styrene) Shutter: POM (Polyoxymethylene) Skin: ABS (Acrylonitrile Butadiene-Styrene) Window: PC (Polycarbonate)
Dimensions (H × W × D)	78 × 116 × 18 mm
Product weight	107 g
Pack size	Set of 5
Standards	AS/NZS 3112
Product certifications	RCM



P3025PID-XW

Dimensions (mm)



RCD 30 mA with Switched Twin Socket Outlet

P3025RCD30V2

Main

Commercial reference	P3025RCD30V2
Colour	XW - Extra White
Electrical rating	230...240 V AC, 50 Hz

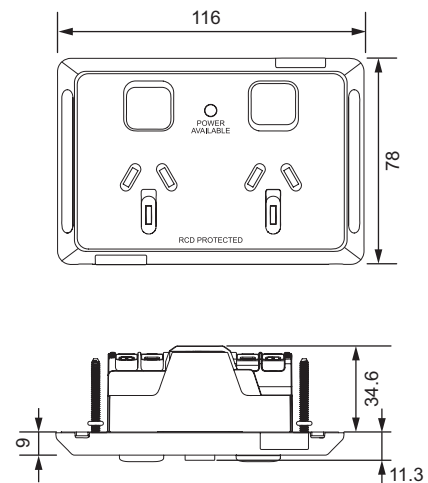
Complementary

Socket-outlet type	Twin switched socket-outlet
Mounting position	Horizontal
RCD trip current	30 mA
RCD type	AC and pulsating DC protection Type II , Type A
Outlet standard	Australia/New Zealand
IP rating	IP20
Ambient air temperature for operation	0...45 °C
Relative humidity	10...95 %
LED Indicator	Amber - for power available, White - for supply power
Required circuit protection	Incoming 3 kA circuit protection by MCB or HRC fuse, 20 A max.
Mounting centres	84 mm Australian plate
Dimensions (H × W × D)	78 × 116 × 45.9 mm
Standards	AS/NZS 3100, AS/NZS 3190, AS/NZS 3112 for RCD socket ISO 22196 (International Antibacterial Standard)
Product certifications	RCM



P3025RCD30V2-XW

Dimensions (mm)



USB Charger, Type A+C with Switched Twin Socket Outlet

P3025USBAC

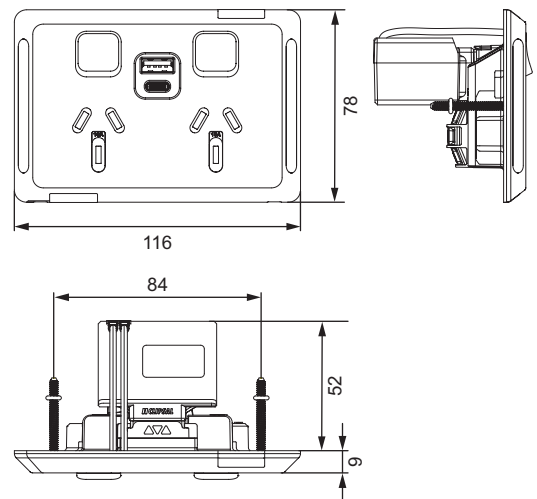
Main	
Commercial reference	P3025USBAC
Colour	XW - Extra White
Outlet poles configuration	2P + E with shutter
Electrical rating	10 A, 250 V AC, 50 Hz

Complementary	
Socket number	2
Provided equipment	USB charger
Outlet standard description	With earth contact
Outlet standard	Australia/New Zealand
Mounting mode	Horizontal
Surface finish	Gloss
Rated current	10 A for socket
Ambient air temperature for operation	0...45 °C
Relative humidity	10...95 %
Electrical durability	12,000 operating cycles to AS/NZS 3133
Mechanical durability	20,000 plugging operating cycles
Mounted method	By screw
Connections - terminals	Screw terminal
Number of terminals	3
Screwdriver shape	Philips No 2 (PH2); Square drive No 1 (SQ1)
Cable size capacity	4 × 2.5 mm ² ; 3 × 4.0 mm ²
Wire stripping length	16 mm
Material	Grid plate: PC (Polycarbonate) Screw cap: PC (Polycarbonate) Infill: ABS (Acrylonitrile Butadiene-Styrene) Shutter: POM (Polyoxymethylene) Skin: ABS (Acrylonitrile Butadiene-Styrene) Window: PC (Polycarbonate)
Dimensions (H × W × D)	78 × 116 × 52 mm
Product weight	171 g
Pack size	Set of 10
Standards	AS/NZS 3112
Product certifications	RCM



P3025USBAC-XW

Dimensions (mm)



USB Fast Charger Module, Type C

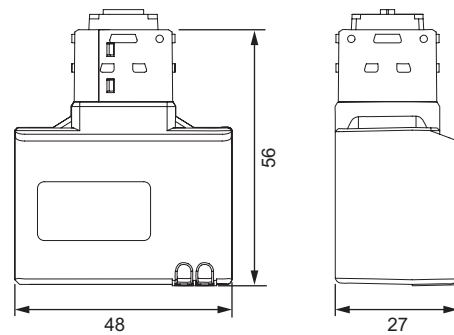
40E1USBCM

Main	
Commercial reference	40E1USBCM-VW
Electrical rating	220 – 240 V AC
Complementary	
Frequency	50 Hz
Power	5 V DC, 3 A, 15 W 9 V DC, 2.78 A, 25 W 12 V DC, 2.08 A, 25 W 15 V DC, 1.67 A, 25 W
USB port orientation	Independent of the module body orientation
Mounting depth	55 mm
USB port	Type C
Material	Housing: PC (Polycarbonate); PA66 (polyamide) Lens: PC (Polycarbonate) Lens: ABS (Acrylonitrile Butadiene-Styrene)
Dimensions (H × W × D)	56 × 48 × 27 mm
Product weight	16 g
Product certifications	RCM



40E1USBCM-VW

Dimensions (mm)

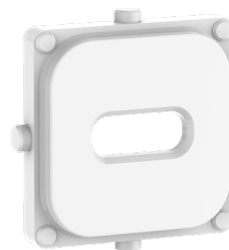


Note: USB Type C cap in white is included.

40E1USBCCAP

USB Cap, Type C

Main	
Commercial reference	40E1USBCCAP
Colour	VW - Vivid White, BK - Black
Product destination	USB charger
Fixing mode	Clip-in
Quantity per set	1

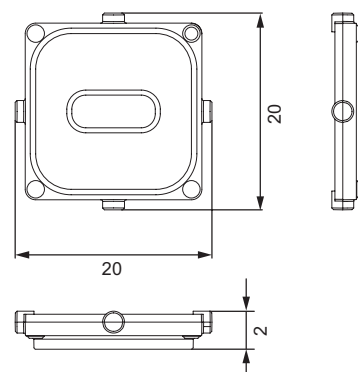


40E1USBCCAP-VW



40E1USBCCAP-BK

Dimensions (mm)



USB Charger Module, Type A+C

40E2USBACM

Main

Commercial reference	40E2USBACM-VW
Electrical rating	220 – 240 V AC

Complementary

Frequency	50 Hz
Current	3.1 A
Power	1 USB type A 5 V DC, maximum load current: 2.4 A 1 USB type C, maximum load current: 3 A
Mounting depth	55 mm
USB port	Type A+C
Material	PC (polycarbonate)
Dimensions (H × W × D)	48 × 59 × 59 mm
Product weight	95 g
Product certifications	RCM



40E2USBACM-VW

Note: USB cap Type A+C in white is included

40E2USBACCAP

Type AC, USB cap

Main

Commercial reference	40E2USBACCAP
Colour	VW - Vivid White, BK - Black
Product destination	USB charger
Fixing mode	Clip-in
Quantity per set	1

Complementary

Connector type	USB type A+C
Product weight	2.4 g



40E2USBACCAP-VW



40E2USBACCAP-BK

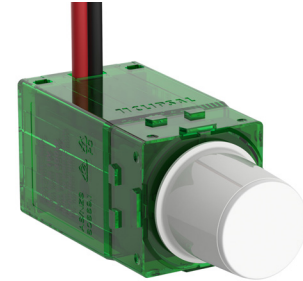
Rotary Dimmer Module

42E350RUD2M

Main	
Commercial reference	42E350RUD2M-VW
Colour	VW - Vivid White
Dimmer type	Universal
Control type	Rotary knob
Fixing mode	Clip-in
Electrical rating	1.5 A, 220...240 V AC, 50 Hz

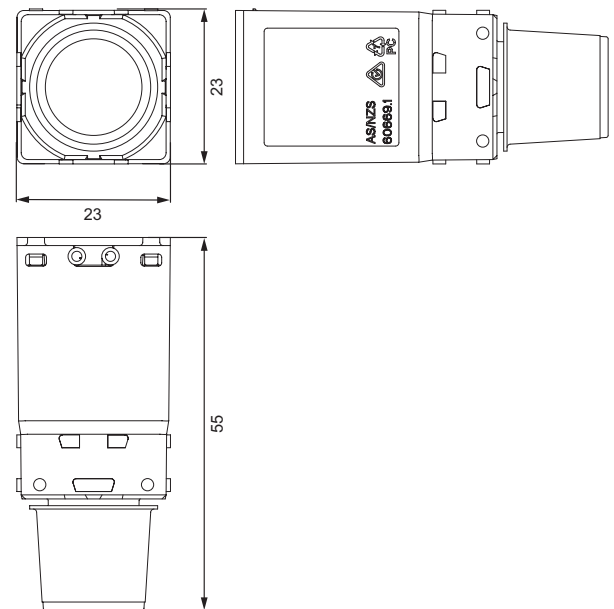
Complementary	
Load type	Dimmable LED; Incandescent; Low voltage halogen lamp with electronic transformer; Dimmable fluocompact lamp; Low voltage halogen lamp with iron core transformer; Dimmable fluorescent
Protection type	Short-circuit
Ambient air temperature for operation	0-45 °C
Relative humidity	0-90 %
Connections - terminals	Flying leads
Material	PC (UL94 V-2) PC MAS056 (UL94 V-2)
Dimensions (H × W × D)	23 × 23 × 39 mm
Standards	AS/NZS 60669.2.1

Note: Rotary knob in white is included



42E350RUD2M-VW

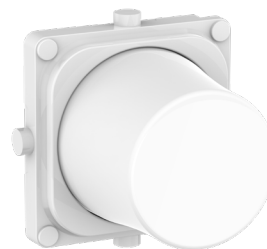
Dimensions (mm)



P40EDIMKB

Main	
Commercial reference	P40EDIMKB
Colour	XW - Extra White, BK - Black
Product destination	Dimmer
Quantity per set	Set of 50

Complementary	
Dimensions (H × W × D)	23 × 23 × 7 mm
Product weight	2.5 g
Product certifications	RCM



P40EDIMKB-XW



P40EDIMKB-BK

Push-button Dimmer Module

41E300PBUD2SM

Main	
Commercial reference	41E300PBUD2SM-VW
Dimmer type	Universal
Control type	Push button ControlLink
Fixing mode	Clip-in
Electrical rating	220...240 V AC, 50 Hz

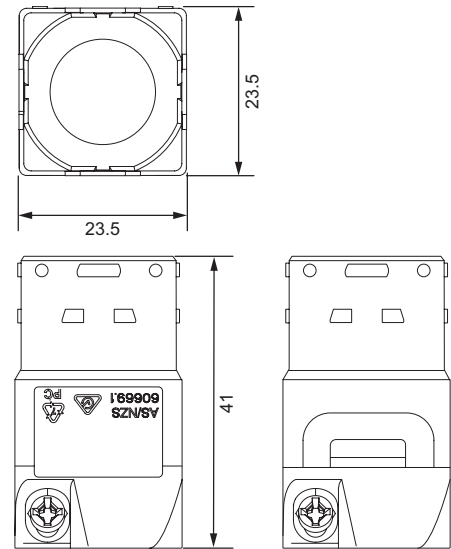
Complementary	
Load type	Dimmable LED; Incandescent; Low voltage halogen lamp with electronic transformer
Max. load	300 W
Protection type	Short-circuit, over current and over temperature
Ambient air temperature for operation	0-45 °C
Relative humidity	5-90 %
Connections - terminals	Screw type: square head and combination head Suits: 3 × 1.5 mm ² cable, Screw torque setting: 0.8 Nm
Dimensions (H × W × D)	23.5 × 23.5 × 41 mm
Standards	AS/NZS 60669.2.1

Note: Push button cap in white is included



41E300PBUD2SM-VW

Dimensions (mm)



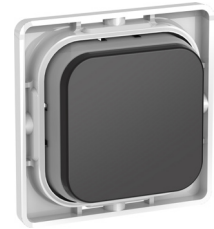
P40APB

Main	
Commercial reference	P40APB
Colour	XW- Extra White, BK - Black
Product destination	Push button
Quantity per set	Set of 5

Complementary	
Dimensions (H × W × D)	23 × 23 × 7 mm
Product weight	2.5 g
Product certifications	RCM

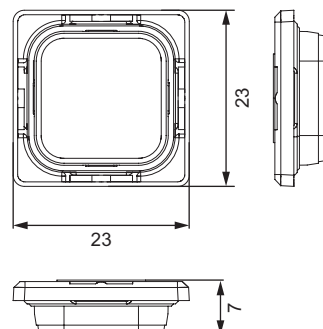


P40APB-XW



P40APB-BK

Dimensions (mm)



PIR Motion Sensor Module

41EPIRM

PIR Motion sensor with load output

Main	
Commercial reference	41EPIRM-TN
Provided equipment	Carrier; Finishing accessory
Fixing mode	Clip-in
Electrical rating	3 A, 220...240 V

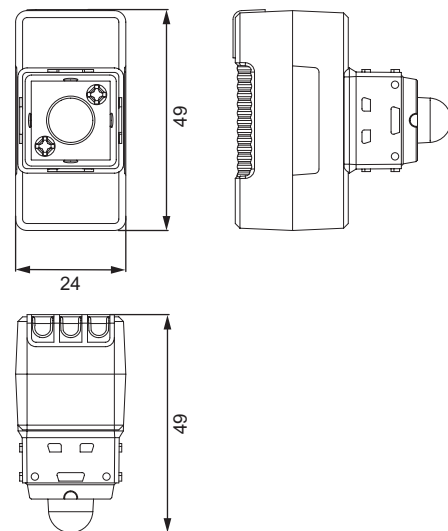
Complementary	
Power consumption	1 W
Protection type	Input surge protection
Ambient air temperature for operation	-10...50 °C
Relative humidity	5...90 %
Detection angle	100° (horizontal); 82° (vertical)
Light intensity adjustment	10-2000 lux
Material	Plastic
Movement detection area	5 m
Dimensions (H × W × D)	23 × 23 × 39 mm
Standards	AS/NZS 60669.2.1

Note: Translucent insert included



41EPIRM-TN

Dimensions (mm)



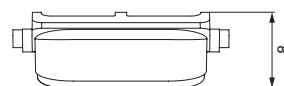
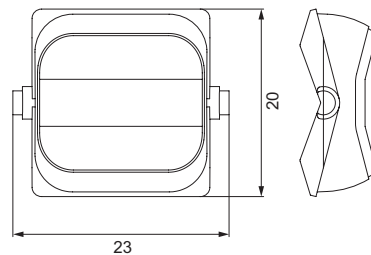
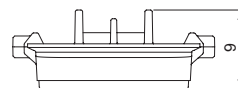
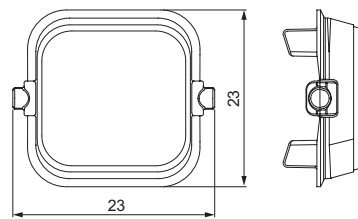
Rockers for 40-Series Switch Modules



2 position rockers

Commercial Reference	Marking
P40FR	
P40HR	
P40SR	Fan, Heat, Sensor
P40R32	32A
P40AR	Blank
P40LR	
P40R20COOK	Cooker
P40R32COOK	Cooker

Dimensions (mm)



3 position rockers

Commercial Reference	Marking
P49TSOO	Sensor - OFF - ON
P49TAOM	Auto - OFF - Manual
P49TUOD	Up - OFF - Down
P49T	-

Switch Module

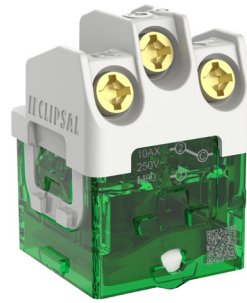
40M - 40USM

Main

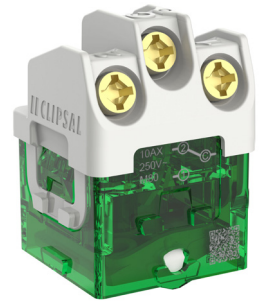
Commercial reference	40M	40USM
Electrical rating	10 AX, 250 V AC	20 A/16 AX, 250 V AC

Complementary

Switch function	1/2-way	
Load type	Inductive, Light, Fluorescent lamp, and LED	
Ambient air temperature for operation	0...45 °C	
Relative humidity	10...95 %	
Electrical durability	20,000 operations @ 10 A, conforming to AS/NZS 60669.1	10,000 operations @ 20 A, conforming to AS/NZS 60669.1
Mounted method	Locking bar	
Connections - terminals	4 × screw terminals	
Screwdriver shape	Philips (No 2); Square drive No 1 (SQ1)	
Cable size capacity	4 × 1.5 mm ² ; 3 × 2.5 mm ²	
Wire stripping length	10 mm	
Material	Housing: PC (Polycarbonate); PA66 (polyamide)	
Dimensions (H × W × D)	23 × 23 × 32 mm	
Product weight	15 g	16 g
Pack size	Set of 20	
Product certifications	RCM	

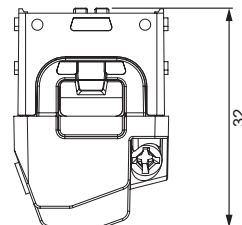
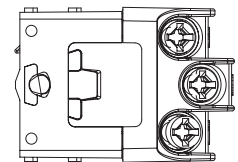
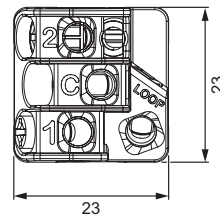


40M



40USM

Dimensions (mm)



Bell Press Return Switch Module

P40MBPR

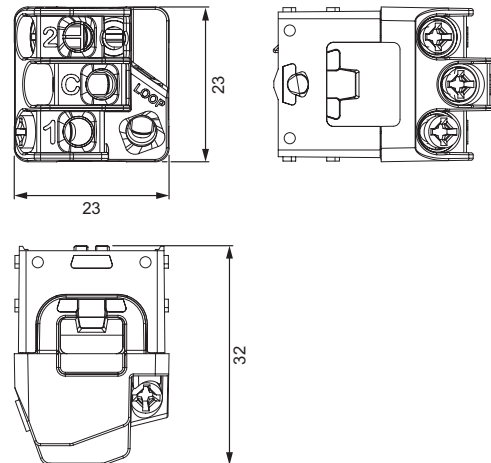
Main	
Commercial reference	P40MBPR
Colour	XW - Extra White
Electrical rating	10 AX, 250 V AC

Complementary	
Switch function	1-pole 1 × NO / 1 × NC contacts
Load type	Inductive, Light, and Fluorescent lamp
Motor M-rating AS3133	M80
Ambient air temperature for operation	0...45 °C
Relative humidity	10...95 %
Electrical durability	20000 cycles, conforming to AS/NZS 60669.1
Mounted method	Locking bar
Connections - terminals	4 × screw terminals
Screwdriver shape	Philips (No 2); Square drive No 1 (SQ1)
Cable size capacity	4 × 1.5mm ² , 3 × 2.5mm ² and 1 × 4mm ²
Wire stripping length	10 mm
Material	Housing: PC (Polycarbonate); PA66 (polyamide)
Marking	Press
Dimensions (H × W × D)	23 × 23 × 32 mm
Product weight	16 g
Pack size	Set of 20
Product certifications	RCM



P40MBPR-XW

Dimensions (mm)



Note: Rocker in white included

Cooker Switch Module

P40M32COOK

Main

Commercial reference	P40M32COOK
Colour	XW - Extra White
Electrical rating	32 A, 250 V AC

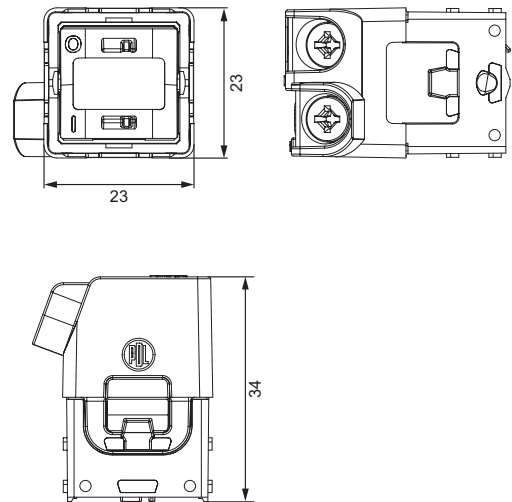
Complementary

Switch function	1-way
Actuator	Rocker
Marking	Cooker
Surface finish	Gloss
Load type	Inductive
Motor M-rating AS3133	M100
Ambient air temperature for operation	0...45 °C
Relative humidity	10...95 %
Electrical durability	10,000 operations @ 32 A, conforming to AS/NZS 60669.1
Mounted method	Locking bar
Connections - terminals	2 × screw terminals
Screwdriver shape	Philips (No 2); Square drive No 1 (SQ1)
Cable size capacity	4 × 1.5mm ² , 3 × 2.5mm ² and 1 × 4mm ²
Wire stripping length	10 mm
Material	Housing: PC (Polycarbonate); PA66 (polyamide) Dolly: PC (Polycarbonate) Dolly: ABS (Acrylonitrile Butadiene-Styrene)
Dimensions (H × W × D)	23 × 23 × 34 mm
Product weight	16 g
Pack size	Set of 20
Product certifications	RCM



P40M32COOK-XW

Dimensions (mm)



Note: Rocker in white included

Double Pole Switch Module

P40MD10

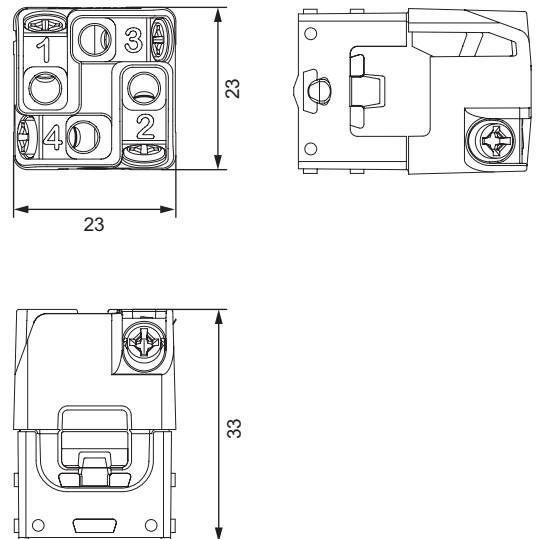
Main	
Commercial reference	P40MD10
Colour	XW - Extra White
Electrical rating	10 AX, 250 V AC

Complementary	
Switch function	2-pole 1-way
Surface finish	Gloss
Load type	Inductive, Light and Fluorescent lamp
Motor M-rating AS3133	M100
Ambient air temperature for operation	0...45 °C
Relative humidity	10...95 %
Electrical durability	40,000 operations @ 10 A, conforming to AS/NZS 60669.1
Mounted method	Locking bar
Connections - terminals	4 × screw terminals
Screwdriver shape	Philips (No 2); Square drive No 1 (SQ1)
Cable size capacity	4 × 1.5mm ² , 3 × 2.5mm ² and 1 × 4mm ²
Wire stripping length	10 mm
Material	Housing: PC (Polycarbonate); PA66 (polyamide)
Dimensions (H × W × D)	23 × 23 × 33 mm
Product weight	16 g
Pack size	Set of 20
Product certifications	RCM



P40MD10-XW

Dimensions (mm)



Double Pole Switch Module

P40MD20

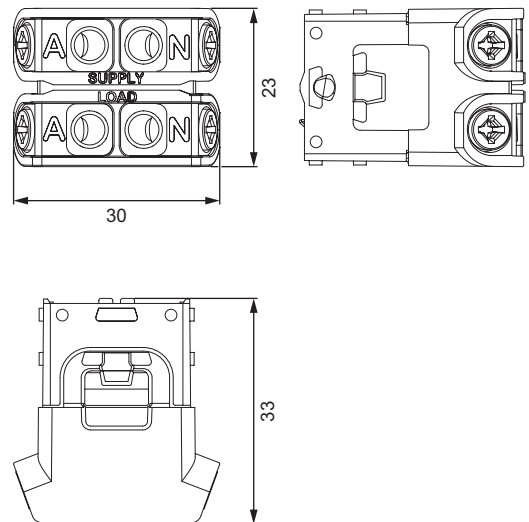
Main	
Commercial reference	P40MD20
Colour	XW - Extra White
Electrical rating	20 AX - 250 V AC

Complementary	
Switch function	2-pole 1-way
Surface finish	Gloss
Load type	Inductive, Light and Fluorescent lamp
Motor M-rating AS3133	M100
Ambient air temperature for operation	0...45 °C
Relative humidity	10...95 %
Electrical durability	10,000 operations @ 20 A, conforming to AS/NZS 60669.1
Mounted method	Locking bar
Connections - terminals	4 × screw terminals
Screwdriver shape	Philips (No 2); Square drive No 1 (SQ1)
Cable size capacity	4 × 1.5mm ² , 3 × 2.5mm ² and 1 × 4mm ²
Wire stripping length	10 mm
Material	Housing: PC (Polycarbonate); PA66 (polyamide)
Dimensions (H × W × D)	23 × 30 × 33 mm
Product weight	16 g
Pack size	Set of 20
Product certifications	RCM



P40MD20-XW

Dimensions (mm)

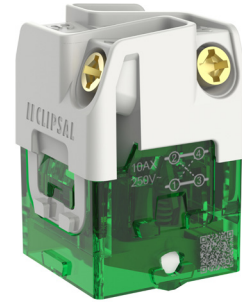


Intermediate Switch Module

40MI

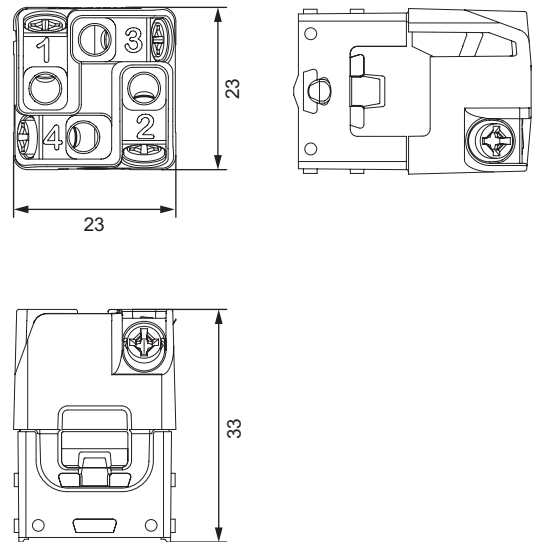
Main	
Commercial reference	40MI
Electrical rating	10 AX, 250 V AC

Complementary	
Switch function	Intermediate
Load type	Inductive and Light
Ambient air temperature for operation	0...45 °C
Relative humidity	10...95 %
Electrical durability	40,000 operations @ 10 A, conforming to AS/NZS 60669.1
Mounted method	Locking bar
Connections - terminals	4 × screw terminals
Screwdriver shape	Philips (No 2); Square drive No 1 (SQ1)
Cable size capacity	4 × 1.5 mm ² ; 3 × 2.5 mm ²
Wire stripping length	10 mm
Material	Housing: PC (Polycarbonate); PA66 (polyamide)
Dimensions (H × W × D)	23 × 23 × 33 mm
Product weight	15 g
Pack size	Set of 20
Product certifications	RCM



40MI

Dimensions (mm)



3-position Switch Module

P49M

Main

Commercial reference	P49M
Colour	XW - Extra White
Electrical rating	10 AX, 250 V AC

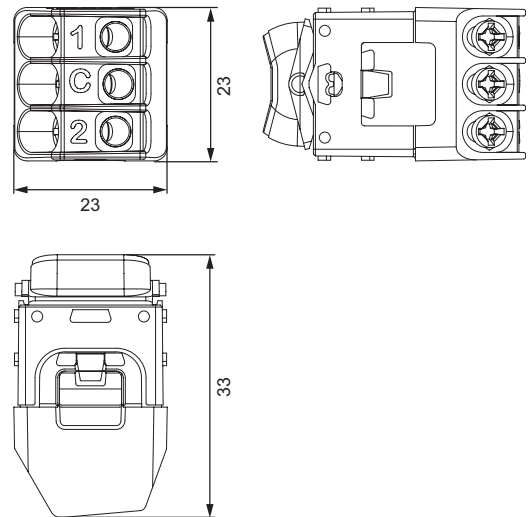
Complementary

Switch function	3 positions
Control type	Rocker
Actuator	Rocker
Surface finish	Gloss
Load type	Inductive and Light
Motor M-rating AS3133	M40
Ambient air temperature for operation	0...45 °C
Relative humidity	10...95 %
Electrical durability	40,000 operations @ 10 A, conforming to AS/NZS 60669.1
Mounted method	Locking bar
Connections - terminals	3 × screw terminals
Screwdriver shape	Philips (No 2); Square drive No 1 (SQ1)
Cable size capacity	4 × 1.5 mm ² ; 3 × 2.5 mm ²
Wire stripping length	10 mm
Material	Housing: PC (Polycarbonate); PA66 (polyamide) Rocker: PC (Polycarbonate) Rocker: ABS (Acrylonitrile Butadiene-Styrene)
Dimensions (H × W × D)	23 × 23 × 33 mm
Product weight	17 g
Pack size	Set of 20
Product certifications	RCM



P49M-XW

Dimensions (mm)



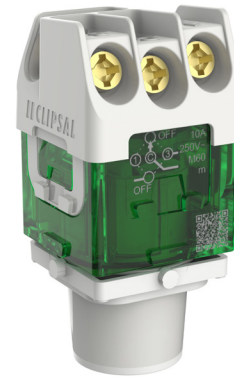
Note: Rocker in white included

Rotary 4-position Switch Module

P40RSM3

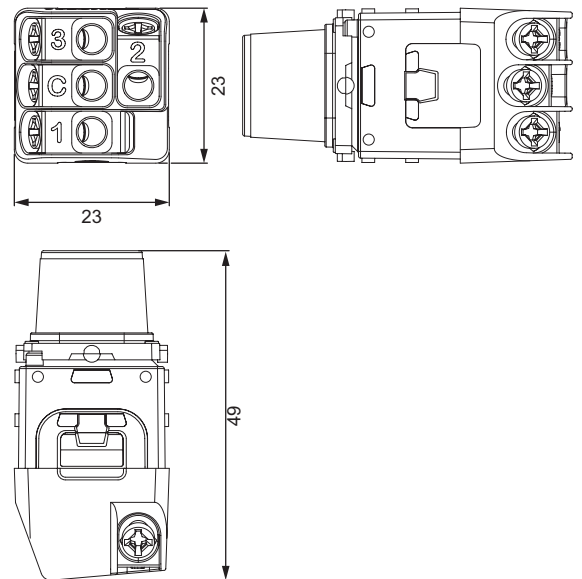
Main	
Commercial reference	P40RSM3
Colour	XW - Extra White
Electrical rating	10 A, 250 V AC

Complementary	
Switch function	4 positions
Control type	Rotary Knob
Actuator	Rotary
Marking	0 - 1 - 2 - 3
Surface finish	Gloss
Load type	Inductive and Motor
Motor M-rating AS3133	M40
Ambient air temperature for operation	0...45 °C
Relative humidity	10...95 %
Electrical durability	12,000 operating cycles @ 10 A, conforming to AS/NZS 3133
Mounted method	Locking bar
Connections - terminals	4 × screw terminals
Screwdriver shape	Philips (No 2); Square drive No 1 (SQ1)
Cable size capacity	4 × 1.5 mm ² ; 3 × 2.5 mm ²
Wire stripping length	10 mm
Material	Housing: PC (Polycarbonate); PA66 (polyamide) Knob: PC (Polycarbonate) Knob cap: ABS (Acrylonitrile Butadiene-Styrene)
Dimensions (H × W × D)	23 × 23 × 49 mm
Product weight	19 g
Pack size	Set of 20
Product certifications	RCM



P40RSM3-XW

Dimensions (mm)



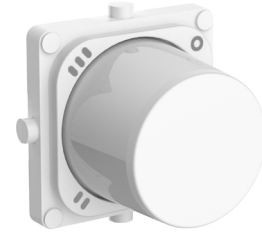
Rotary 4-position Switch Module

40RSM3KB

Rotary knob in 2 colours

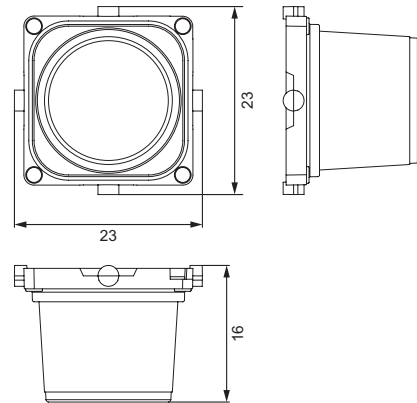
Main	
Commercial reference	P40RSM3KB
Colour	XW - Extra White, BK - Black
Provided equipment	Knob, Carrier

Complementary	
Control type	Knob
Actuator	Rotary
Marking	0 - 1 - 2 - 3
Mounted method	Clip-in
Material	Housing: PC (Polycarbonate); PA66 (nylon) Knob: PC (Polycarbonate) Knob cap: ABS (Acrylonitrile Butadiene-Styrene)
Dimensions (H × W × D)	23 × 23 × 16 mm
Product weight	1.5 g
Pack size	Set of 10



P40RSM3KB

Dimensions (mm)



3-Position Momentary Bell Press Module

P49MBPR

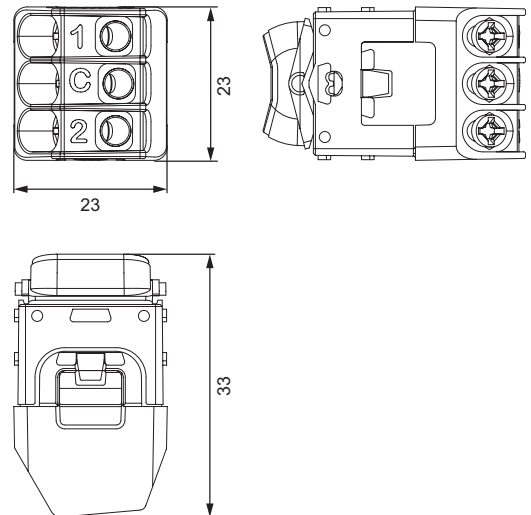
Main	
Commercial reference	P49MBPR
Colour	XW - Extra White
Electrical rating	10 A, 250 V AC

Complementary	
Switch function	3 positions
Control type	Rocker
Actuator	Rocker
Surface finish	Gloss
Load type	Inductive
Motor M-rating AS3133	M40
Ambient air temperature for operation	0...45 °C
Relative humidity	10...95 %
Electrical durability	40,000 operations @ 10 A, conforming to AS/NZS 60669.1
Mounted method	Locking bar
Connections - terminals	4 × screw terminals
Screwdriver shape	Philips (No 2); Square drive No 1 (SQ1)
Cable size capacity	4 × 1.5 mm ² ; 3 × 2.5 mm ²
Wire stripping length	10 mm
Material	Housing: PC (Polycarbonate); PA66 (polyamide)
Dimensions (H × W × D)	23 × 23 × 33 mm
Product weight	17 g
Pack size	Set of 20
Product certifications	RCM



P49MBPR-XW

Dimensions (mm)



Note: Rocker in white included

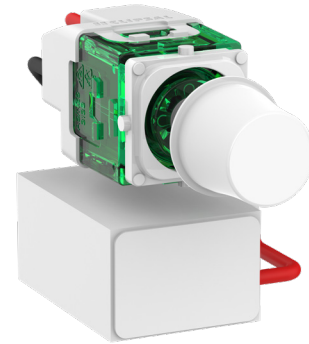
Rotary Fan Speed Controller Module

P40CSFM

4 position rotary switch mechanism plus capacitor 10 A, 250 V

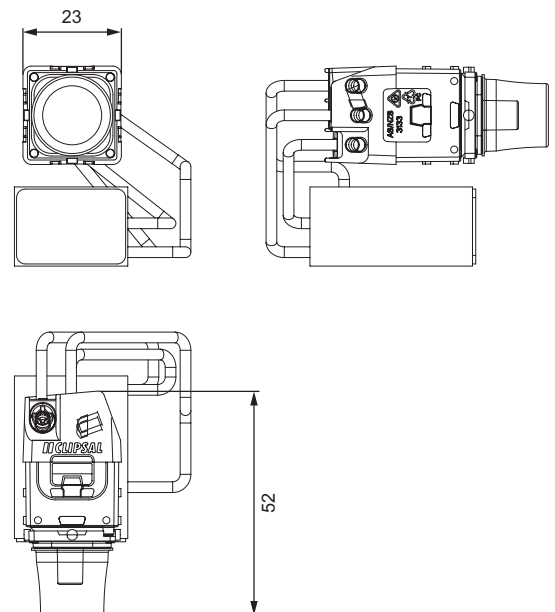
Main	
Commercial reference	P40CSFM
Colour	XW - Extra White
Electrical rating	75 VA, 250 V AC

Complementary	
Switch function	4 positions
Control type	Rotary Knob
Actuator	Rotary
Marking	0 - 1 - 2 - 3
Surface finish	Gloss
Load type	75 VA
Motor M-rating AS3133	M40
Ambient air temperature for operation	0...45 °C
Relative humidity	10...95 %
Electrical durability	12,000 operating cycles @ 10A, conforming to AS/NZS 3133
Mounted method	Locking bar
Connections - terminals	4 × screw terminals
Screwdriver shape	Philips (No 2); Square drive No 1 (SQ1)
Cable size capacity	4 × 1.5 mm ² ; 3 × 2.5 mm ²
Wire stripping length	10 mm
Material	Housing: PC (Polycarbonate); PA66 (polyamide) Knob: PC (Polycarbonate) Knob cap: ABS (Acrylonitrile Butadiene-Styrene)
Dimensions (H × W × D)	23 × 23 × 52 mm
Product weight	48 g
Pack size	Set of 20
Product certifications	RCM



P40CSFM-XW

Dimensions (mm)

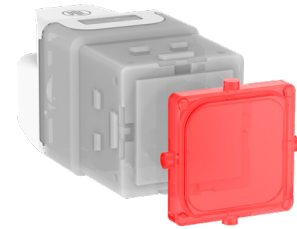


LED Power Indicator Module

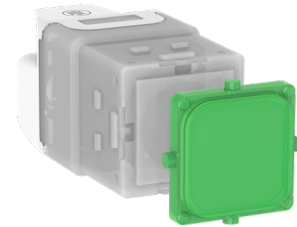
40N - 40N24

Main		
Commercial reference	40N-RD	40N24-GR
Colour	RD - Red, GR - Green	
Electrical rating	250 V AC	24 V

Complementary		
Mounted method	Locking bar	
Connections - terminals	4 × screw terminals	
Screwdriver shape	Philips (No 2); Square drive No 1 (SQ1)	
Current	2 × 11 mA	11 mA
Power	2 × 2.5 W	0.3 W
Cable size capacity	4 × 1.5 mm ² ; 3 × 2.5 mm ²	
Wire stripping length	10 mm	
Material	Housing: PC (Polycarbonate); PA66 (polyamide) Lens: PC (Polycarbonate) Lens: ABS (Acrylonitrile Butadiene-Styrene)	
Dimensions (H × W × D)	23 × 23 × 42 mm	
Product weight	16 g	
Pack size	Set of 20	
Product certifications	RCM	

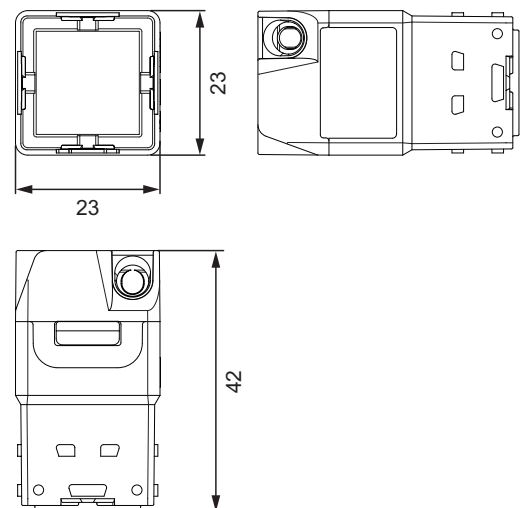


40N-RD



40N24-GR

Dimensions (mm)



Data Modules (RJ12, RJ45, HDMI)

40RJ64SMT

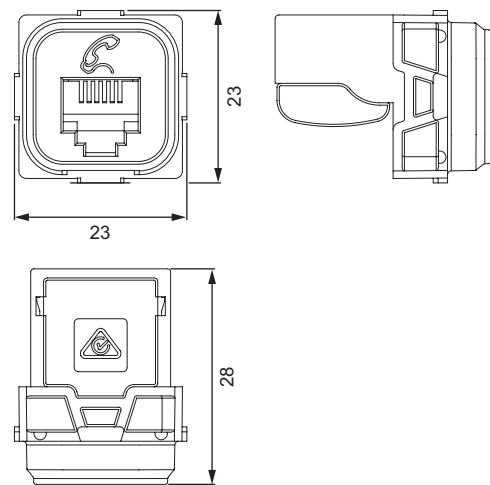
Main	
Commercial reference	40RJ64SMT
Colour	TN - Transluscent, XW - Extra White, BK - Black

Complementary	
Provided equipment	Cable retention cap
Telephone socket type	RJ12 4
Surface finish	Gloss
Sale per indivisible quantity	1
Dimensions (H x W x D)	23 x 23 x 28 mm
Product weight	6 g
Standards	AS/NZS 3080 AS/CA S008
Product certifications	RCM
Environmental characteristic	REACH



40RJ64SMT-XW

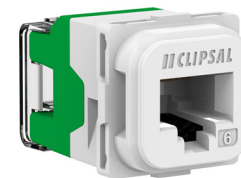
Dimensions (mm)



40RJ45SMA6C

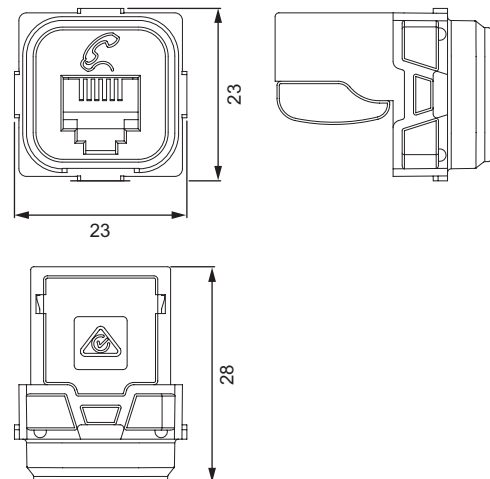
Main	
Commercial reference	40RJ45SMA6C
Colour	TN - Transluscent, XW - Extra White, BK - Black

Complementary	
Socket type	RJ45, Cat 6
Sale per indivisible quantity	1
Dimensions (H x W x D)	22 x 16 x 36 mm
Product weight	8 g
Standards	ANSI/TIA-568-C.2 IEC 60603-7-4 ISO/IEC 11801:2011 Ed.2.2 AS/NZS 3080:2003 UL 1863 IEC 60512-99-001 IEC 60512-99-002



40RJ45SMA6C

Dimensions (mm)



Data Modules (RJ12, RJ45, HDMI)

40HDMIA

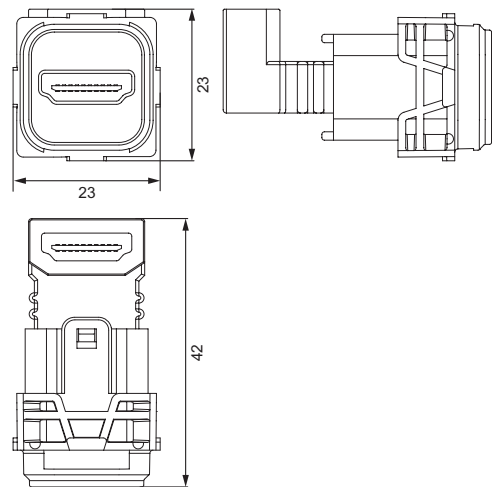
Main	
Commercial reference	40HDMIA
Colour	TN - Transluscent, XW - Extra White, BK - Black
Type of connector	HDMI

Complementary	
Surface finish	Gloss
Material	PC (Polycarbonate)
Contacts material	Gold plated
Dimensions (H × W × D)	23 × 23 × 42 mm
Product weight	15 g
Pack size	Set of 10



40HDMIA-XW

Dimensions (mm)



40HDMIS

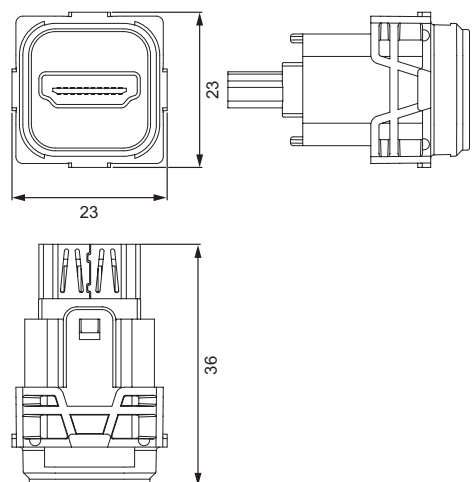
Main	
Commercial reference	40HDMIS
Colour	TN - Translucent, XW - Extra White, BK - Black
Type of connector	HDMI

Complementary	
Surface finish	Gloss
Material	PC (Polycarbonate)
Contacts material	Gold plated
Dimensions (H × W × D)	23 × 23 × 36 mm
Product weight	11 g
Pack size	Set of 10



40HDMIS-XW

Dimensions (mm)



Mounting Accessories

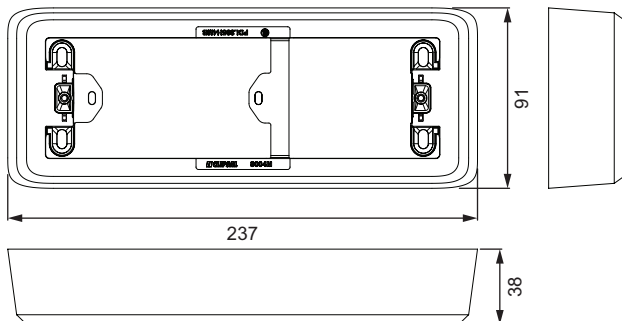
3004M

Mounting block - surface - suits quad socket - depth 38 mm

Main	
Commercial reference	3004M-VW
Colour	VW - Vivid White
Product brand	Clipsal

Complementary	
Shape	Rectangular
Material	PC (Polycarbonate) HIPS (high impact polystyrene)
Dimensions (H x W x D)	91 x 237 x 38 mm
Mounting Centres	179.8 mm and 84 mm
Weight	3.3 kg
Pack size	Pack of 20

Dimensions (mm)



3004M-VW

Benefits

- Easy to align on the wall
- Good level of robustness, impact resistant
- Wiring device Quick and Easy to fix!: **PUSH-IN*** function
- Smart solution: knock-outs easy to break, various size, on each side of the block
- Fixing screws for wiring device products are isolated

Mounting Accessories (cont'd)

449AB

Mounting block - surface - 1-gang - depth 34 mm

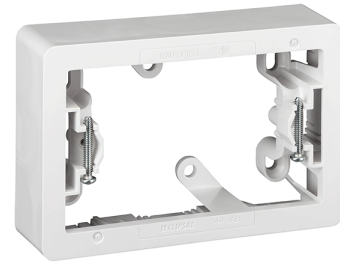
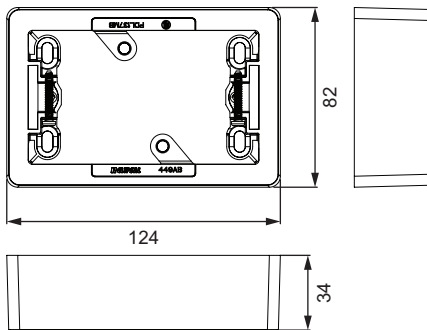
Main

Commercial reference	449AB-VW
Colour	VW - Vivid White
Product brand	Clipsal

Complementary

Shape	Rectangular
Number of gangs	1
Material	PC (Polycarbonate) HIPS (high impact polystyrene)
Dimensions (H × W × D)	82 × 124 × 34 mm
Mounting centres	84 mm
Weight	0.58 kg
Pack size	Pack of 20

Dimensions (mm)



449AB-VW

Benefits

- Easy to align on the wall
- Good level of robustness, impact resistant
- Smart solution: knock-outs easy to break, various size, on each side of the block
- Fixing screws for wiring device products are isolated
- Fit any recessed devices from the competition (knock out area)

Mounting Accessories (cont'd)

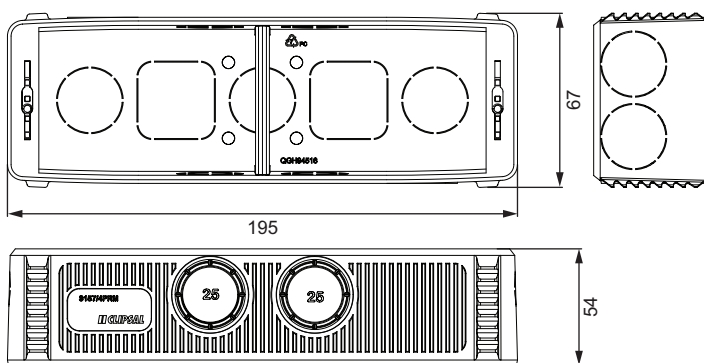
3157/4PRM

Mounting box - suits quad socket - depth 54 mm

Main	
Commercial reference	3157/4PRM
Colour	GY - Grey
Product brand	Clipsal

Complementary	
Range compatibility	Pro Series
Shape	Rectangular
Cable entry number	16
Material	PC
Dimensions (H × W × D)	67 × 195 × 54 mm
Location of connection	Rear
Mounting centres	179.8 mm
Weight	3.3 kg
Pack size	Pack of 20

Dimensions (mm)



3157/4PRM

Benefits

- Easy to adjust to be flush in the wall
- Good level of robustness (removable 'Divider', after fixing)
- Impact resistant
- Wiring device easy to align and to fix!: Sliding metal nuts + PUSH-IN* function
- Ample knock-outs each side of the box
- Innovative cover (not shown) helps locate box through the wall and limits entry of dust and debris

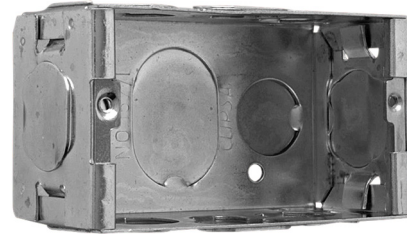
Mounting Accessories (cont'd)

157/1

Mounting box - wall box, 1-gang

Main	
Commercial reference	157/1
Colour	GY - Grey
Product brand	Clipsal

Complementary	
Range compatibility	Pro Series
Shape	Rectangular
Cable entry number	11
Material	Steel
Dimensions (H × W × D)	54 × 94 × 39 mm
Location of connection	Rear
Weight	1.52 kg
Standards	AS/NZS 60670.1, AS 1530.4
Pack size	Pack of 10



157/1

Mounting Accessories (cont'd)

157MDF

Mounting box - Deep fire rated wall box

Main	
Commercial reference	157MDF
Product brand	Clipsal
Complementary	
Range compatibility	Pro Series
Shape	Rectangular
Material	Steel
Dimensions (H × W × D)	53 × 98 × 70 mm
Location of connection	Rear
Weight	1.2 kg
Standards	AS/NZS 60670.1, AS 1530.4
Pack size	Pack of 5



157MDF

Mounting Accessories (cont'd)

3155H4

Bracket quad socket horizontal

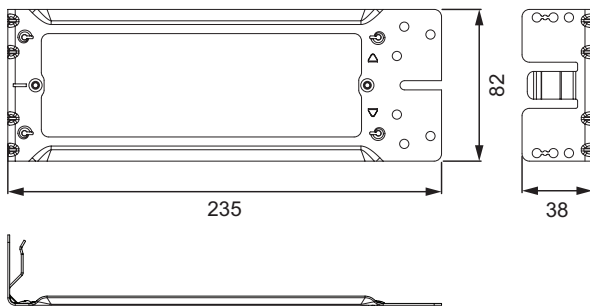
Main	
Commercial reference	3155H4
Colour	White
Quantity per set	Set of 20

Complementary	
Installation direction	Horizontal
Mounting support	Wall
Number of gangs	4
Mounting centres	179.8 mm
Dimensions (H × W × D)	82 × 235 × 38 mm
Weight	3.3 kg
Pack size	Pack of 20



3155H4

Dimensions (mm)



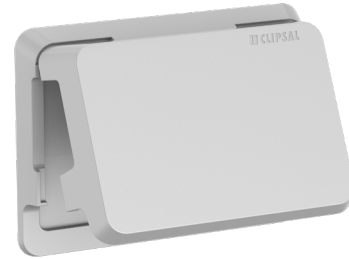
Mounting Accessories (cont'd)

P223H

Protective box IK10 with lockable lid

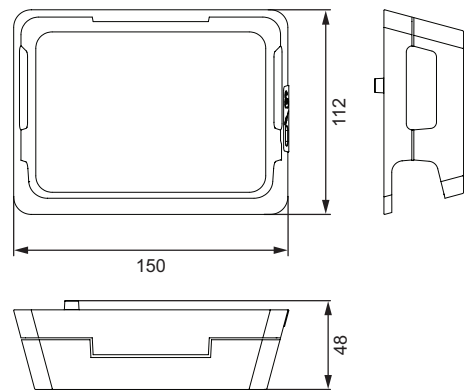
Main	
Commercial reference	P223H
Colour	Grey
Shape	Rectangular

Complementary	
Number of gangs	1
Protection rating	IK10
Fixing	84 mm or corner mount
Material	Zinc aluminum alloy
Dimensions (H × W × D)	112 × 150 × 48 mm
Product weight	0.61 kg



P223H

Dimensions (mm)

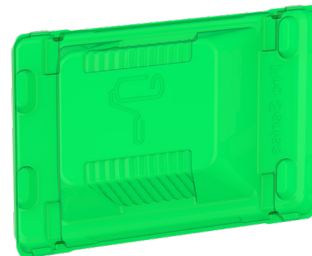


P3000PP-50

Protective paint cover 50 pack

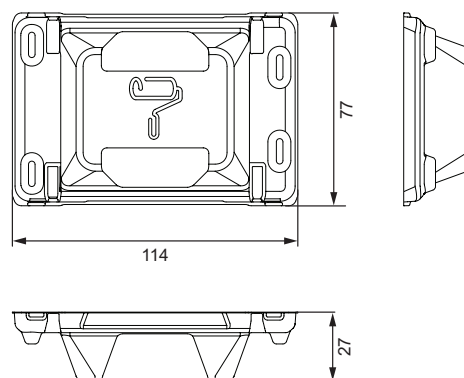
Main	
Commercial reference	P3000PP-50
Provided destination	Plate

Complementary	
Dimensions (H × W × D)	77 × 114 × 27 mm



P3000PP-50

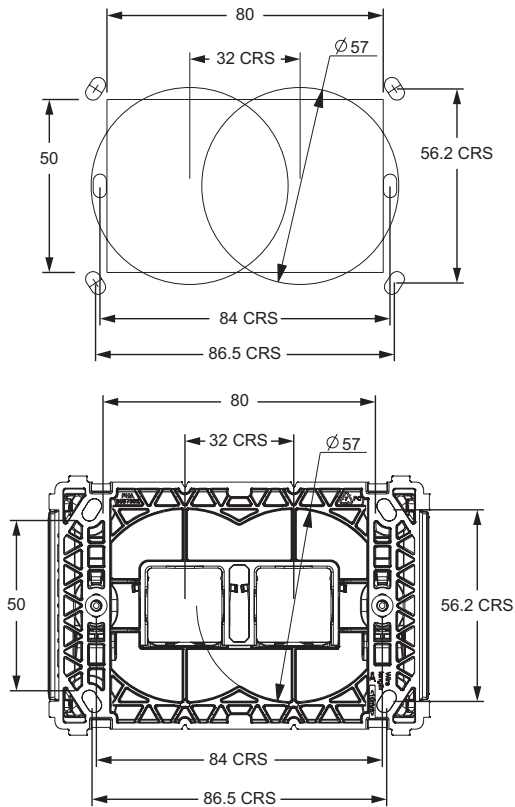
Dimensions (mm)



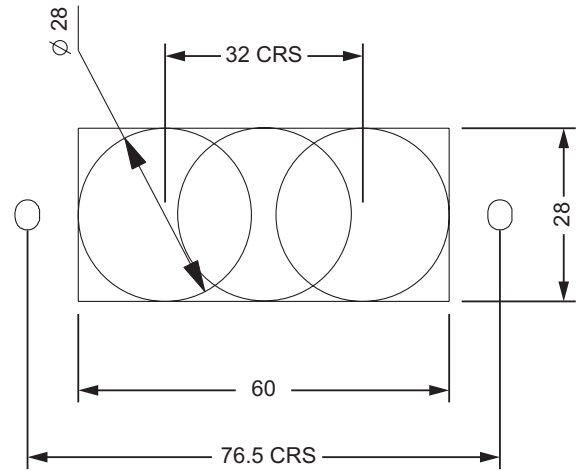
P3000T

Cut-out Diagrams - Switches

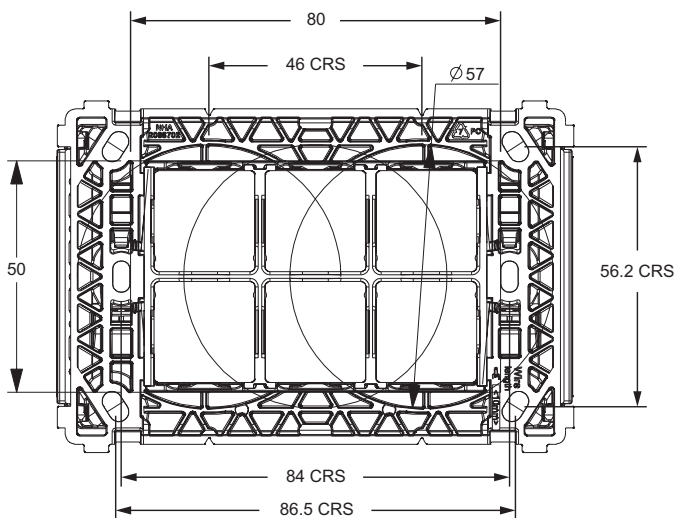
1 to 4-gang Switch Plate



Architrave Switch

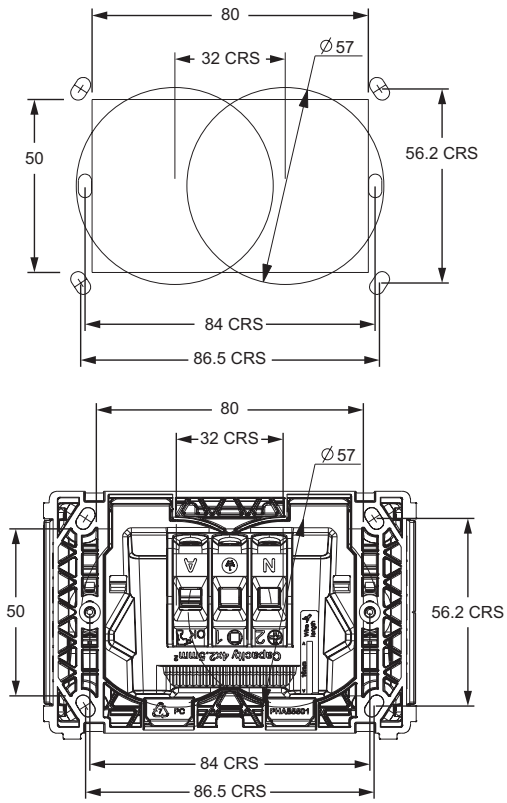


5 and 6-gang Switch

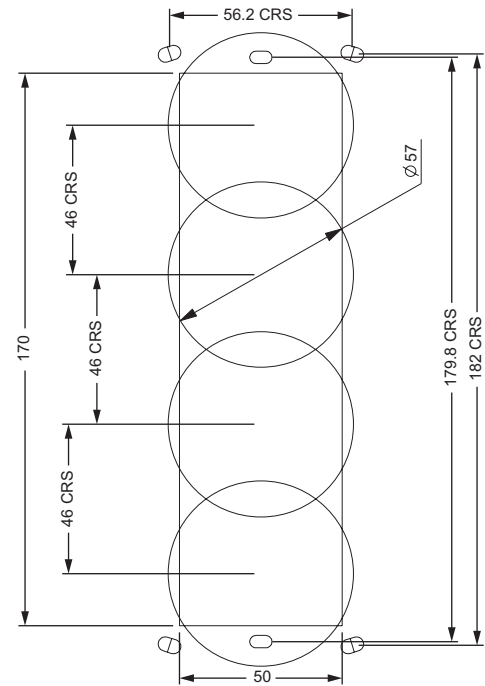


Cut-out Diagrams - Sockets

Socket



4-gang Socket



Build Your Own Product Function Overview

Function	Grid	Extra white skin	Black skin
Switch plates (excluding modules)			
1-gang switch plate	P3041G	P3041C-XW	P3041C-BK
2-gang switch plate	P3042G	P3042C-XW	P3042C-BK
3-gang switch plate	P3043G	P3043C-XW	P3043C-BK
4-gang switch plate	P3044G	P3044C-XW	P3044C-BK
5-gang switch plate	P3045G	P3045C-XW	P3045C-BK
6-gang switch plate	P3046G	P3046C-XW	P3046C-BK
Single sockets			
Horizontal single socket, 10 A	P3015G	P3015C-XW	P3015-4C-BK
Horizontal single socket, 15 A	P3015-15G	P3015-15C-XW	P3015-15C-BK
Horizontal single socket, 20 A	P3015-20G	P3015-20C-XW	P3015-20C-BK
Vertical single socket, 10 A	P3015VG	P3015VC-XW	P3015VC-XW
Vertical single socket, 15 A	P3015V15G	P3015V15C-XW	P3015V15C-BK
Twins sockets			
Horizontal twin socket, 10 A	P3025G	P3025C-XW	P3025C-BK
Horizontal twin socket, 15 A	P3025-15G	P3025-15-XW	P3025-15-BK
Horizontal twin socket with extra switch, 10 A	P3025XAG	P3025XC-XW	P3025XC-BK
Horizontal twin socket with round earth, 10 A	P3025LG	P3025LC-XW	P3025LC-BK
Horizontal single socket with extra switch, 10 A	P3015XAG	P3015XC-XW	P3015XC-BK
Vertical twin socket, 10 A	P3025VG	P3025VC-XW	P3025VC-BK
Vertical twin socket with extra switch, 10 A	P3025VXAG	P3025VXC-XW	P3025VXC-BK
Quad sockets			
Horizontal Quad socket, 10 A	P3015-4G	P3015-4C-XW	P3015-4C-BK
Horizontal Quad socket, extra apertures, 10 A	P3015-4XXUAG	P3015-4XXC-XW	P3015-4XXC-BK

Build your own products that suit application needs

Example: Quad socket with 2 USB Fast charger in black

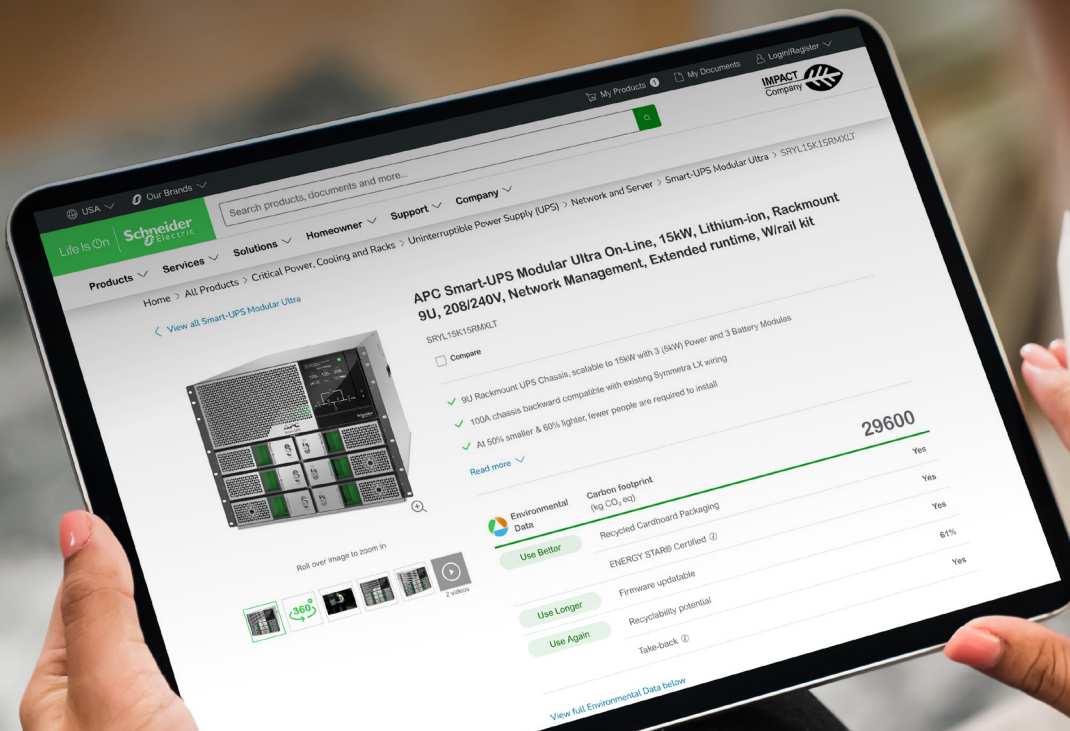
Grid	P3015-4XXUAG
USB Fast charger module	40E1USBCM-VW
Black skin	40E1USBCCAP-BK+ P3015-4XXC-BK

Reference Codes Index

Ref.	Page	Ref.	Page
40E1USBCCAP	36	P3025L	32
40E1USBCM-VW	36	P3025PID	33
40E2USBACCAP	37	P3025RCD30V2	34
40E2USBCM-VW	37	P3025USBAC	35
40HDMIA	55	P3025V	30
40HDMIS	55	P3025VXA	31
40M	42	P3025XA	26
40MI	47	P3040VX	16
40N24-GR	53	P3041-45	17
40N-RD	53	P3041A	19
40RJ45SMA6C	54	P3041C	14
40RJ64SMT	54	P3041D45	17
40USM	42	P3041G	13
41E300PBUD2SM-VW	39	P3041HA	15
41EPIRM-TN	40	P3041V44	18
42E350RUD2M-VW	38	P3041VA	11
157/1	59	P3041VH	12
157MDF	60	P3042A	19
449AB-VW	57	P3042C	14
3004M-VW	56	P3042G	13
3155H4	61	P3042HA	15
3157/4PRM	58	P3042V44	18
P40APB	39	P3042VA	11
P40EDIMKB	38	P3042VH	12
P40M32COOK	44	P3043C	14
P40MBPR	43	P3043G	13
P40MD10	45	P3043HA	15
P40MD20	46	P3043V44	18
P40RSM3	49	P3043VA	11
P40RSM3KB	50	P3043VH	12
P49M	48	P3044C	14
P49MBPR	51	P3044G	13
P223H	62	P3044HA	15
P3000PP-50	62	P3044V44	18
P3015	23	P3044VA	11
P3015-4	27	P3044VH	12
P3015-4XXUA	28	P3045C	14
P3015-15	23	P3045G	13
P3015-20	23	P3045VA	11
P3015V	29	P3045VH	12
P3015V15	29	P3046C	14
P3015XA	25	P3046G	13
P3025	20	P3046VA	11
P3025-15	20	P3046VH	12
P3025-15C	22		
P3025-15G	21		
P3025C	22		
P3025D	24		
P3025G	21		



Environmental Data Program

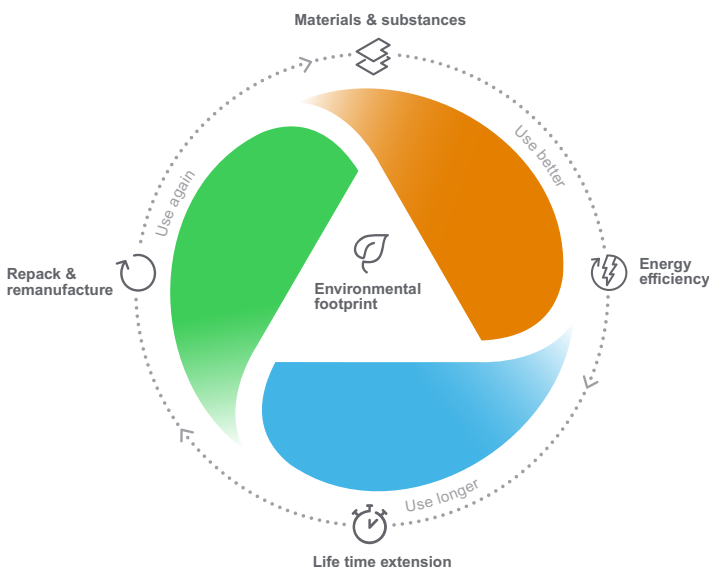


Next-level transparency for better-informed product choices

The Environmental Data Program is a framework for how we measure, categorize, and compare the environmental attributes and footprint of our products.

Using a rigorous, fact-based methodology, the program provides environmental data from across the product lifecycle.

Five data categories across the product lifecycle



Use Better: How sustainable a product is, including environmental footprint, materials and substances, packaging, and energy efficiency.

Use Longer: How a product's life time can be effectively extended in terms of reparability and updatability.

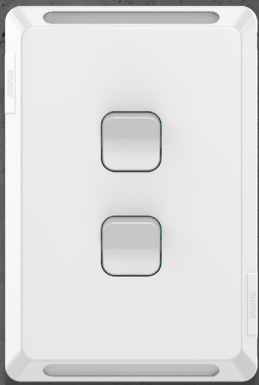
Use Again: How a product can be reused, from dismantling and remanufacturing to recyclability and manufacturer take back.

With this transparent, verified data, customers and partners are empowered to make conscious environmental choices and accurately evaluate and report on sustainability performance.

All our hardware offers have an associated environmental data available on se.com product pages.



Learn more about the **Environmental Data Program**



For more information about Pro Series, contact your local Clipsal and Schneider Electric Partner Business Representative, electrical wholesaler, or visit: clipsal.com/proseries

Schneider Electric (Australia) Pty. Ltd.
33-37 Port Wakefield Road,
Gepps Cross, South Australia, 5085
PO Box 132, Enfield Plaza,
South Australia, 5085
www.schneider-electric.com.au

Consumer Support Enquiries
Phone: 1300 669 925
Website: clipsal.com/contactus

National Customer Care (Trade only)
Phone: 1300 369 233
Email: plugin@clipsal.com.au

© 2025 Schneider Electric. All Rights Reserved. Pro Series and Clipsal are trademarks of Schneider Electric (Australia) PTY Limited.
This document has been printed on recycled paper.
NNZ5418900 Issue 02

clipsal.com/proseries

Life Is 

 **CLIPSAL**[®]
by Schneider Electric