

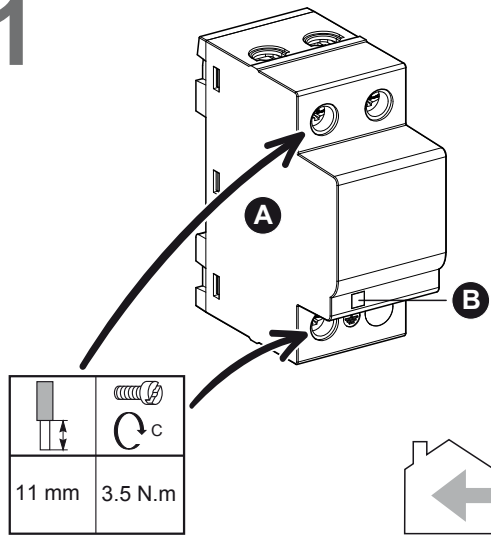
# Dom PF (Type 2 / Тип 2 / Типі 2)

fr en de it es nl da  
sv pt no fi ru kk



**Schneider**  
Electric™

1



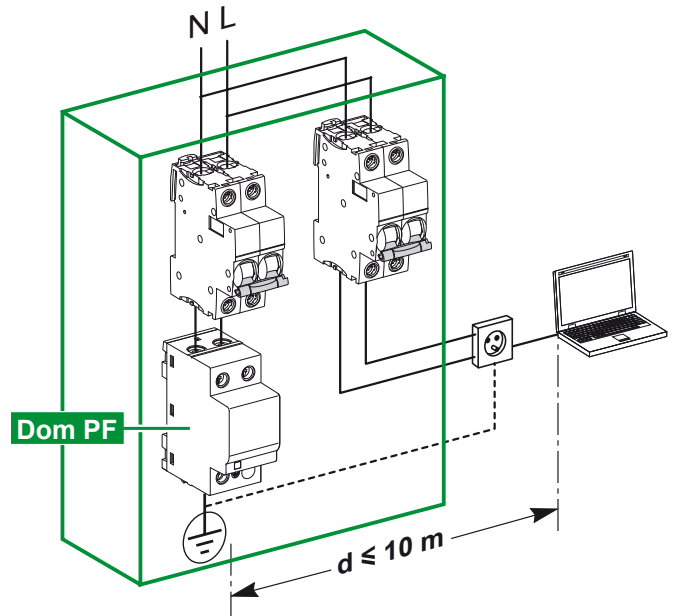
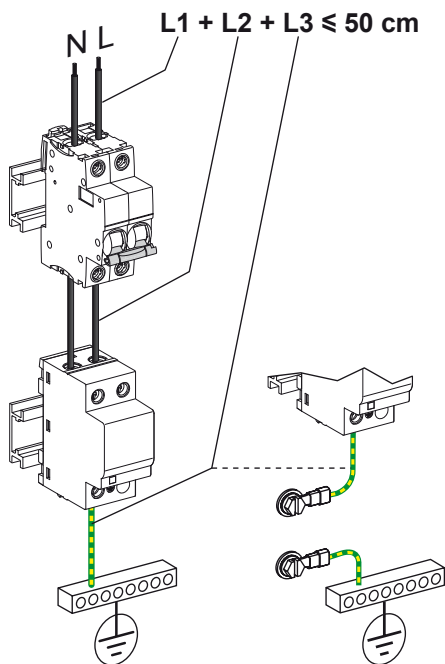
IP20 (built-in)
Un: 230/400 V~ ±10 % - 50/60 Hz
I <sub>PE</sub> (L-PE): 1P ≤ 5 mA 3P ≤ 25 mA
I <sub>PE</sub> (N-PE): 3 μA (1P+N, 3P+N)
I <sub>SCCR</sub> : 6 kA (50 Hz)

11 mm	3.5 N.m

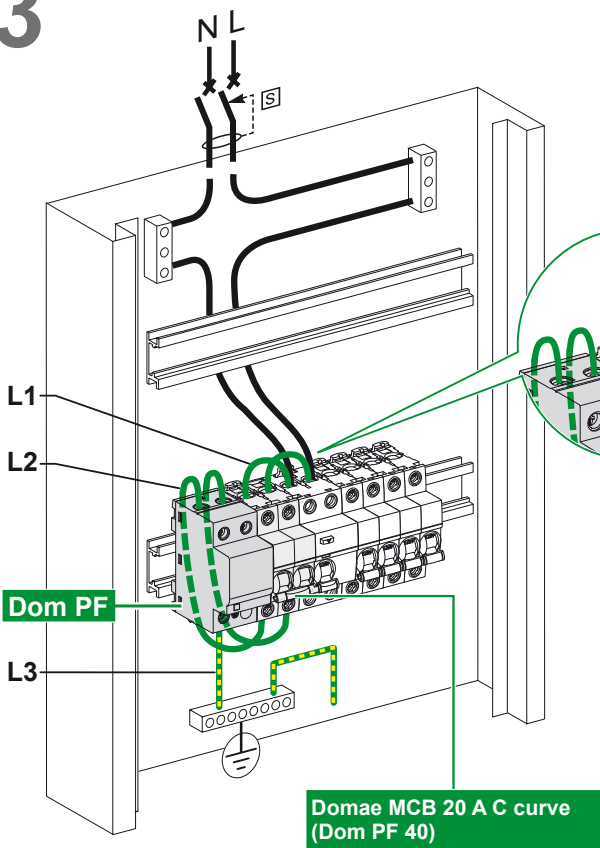
	TT	TN-S	TN-C
DOM PF	■	■	■

	A	B
fr	Parafoudres monoblocs	Indicateur de l'état du parafoudre
en	Single-piece surge arresters	Surge arrester status indicator
de	Einteilige Überspannungsableiter	Zustandsanzeiger des Blitzableiters
it	Scaricatori di sovratensione monoblocco	Indicatore dello stato del parafulmine
es	Disipadores de sobretensiones de una sola pieza	Indicador del estado del limitador de sobretensión
nl	Enkelvoudige overspanningsbeveiligers	Statusindicator van de overspanningsbeveiliging
da	Overspændingssikringer i ét stykke	Indikator for lynaf eders tilstand
sv	Överspänningsavledare i ett stycke	Indikator för åskledarens status
pt	Protectores de sobretensão monobloco	Indicador do estado do pára-raios
no	Overspenningsavledere i ett stykke***	Indikator for overspenningsavlederens status
fi	Yksiosaiset ylijännitesuojat	Ylijännitesuojan tilan osoitin
ru	неразборные разрядники	Индикатор состояния разрядника
kk	Жеке кернеу тұрақтандырғышы	Ток айырғыш күйінің индикаторы

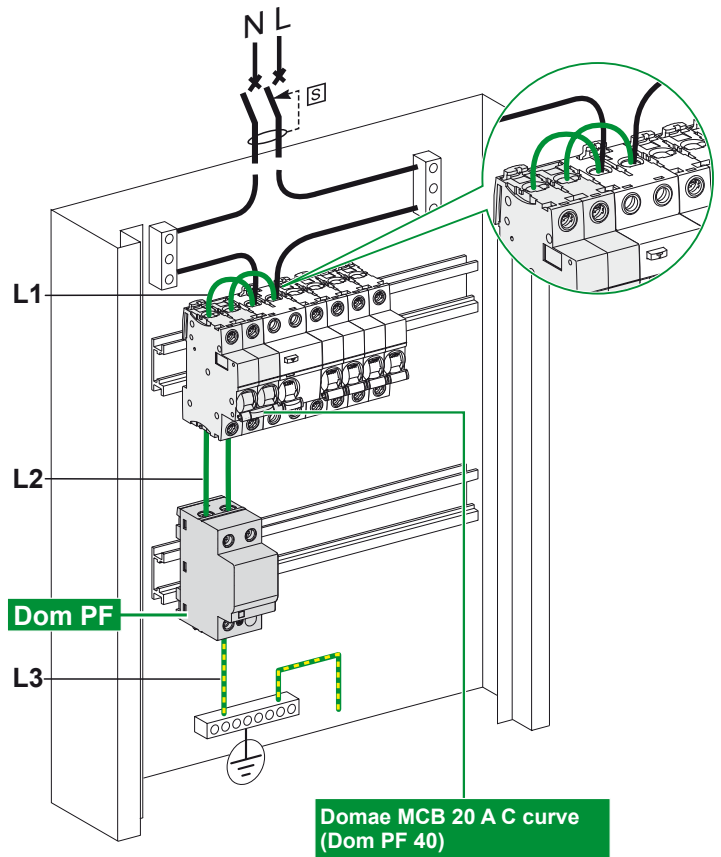
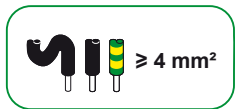
2



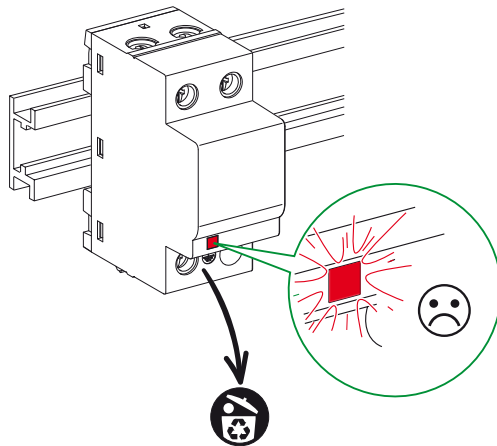
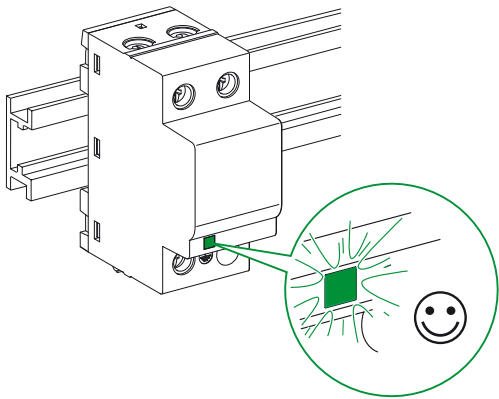
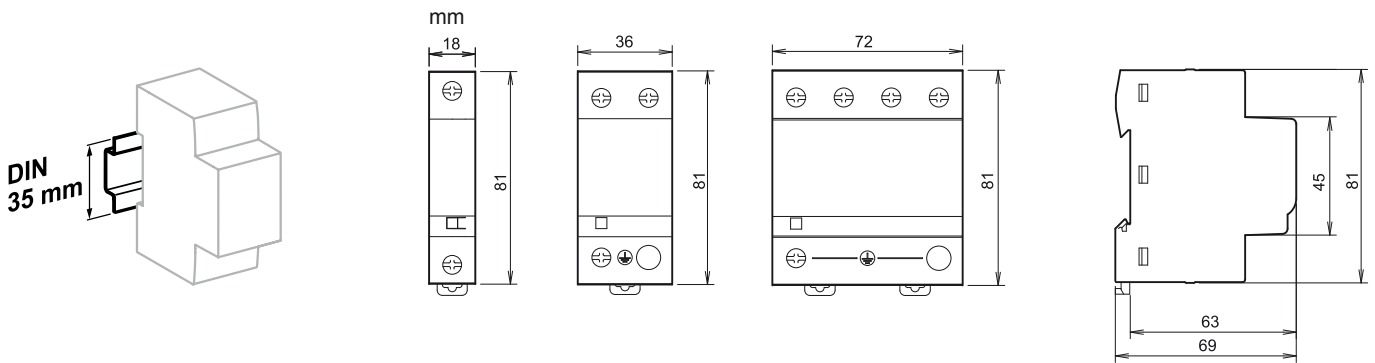
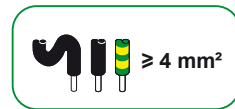
# 3



$L1 + L2 + L3 \leq 50 \text{ cm}$



$L1 + L2 + L3 \leq 50 \text{ cm}$



-25 °C...+ 60 °C  
 humidity: 5% to 95%  
 IEC 61643-11:2011 T2

Schneider Electric Industries SAS  
 35, rue Joseph Monier  
 CS 30323  
 F - 92506 Rueil Malmaison Cedex

www.schneider-electric.com

NHA41379-00

**This product must be installed, connected and used in compliance with prevailing standards and/or installation regulations.**

As standards, specifications and designs change from time to time, always ask for confirmation of the information given in this publication.

© 2015 Schneider Electric - All rights reserved.

2/2