



0017555512022

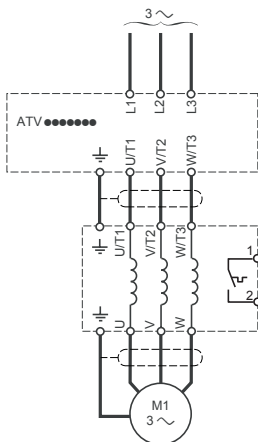
# Altivar

## VW3 A5 101 ... A5 108

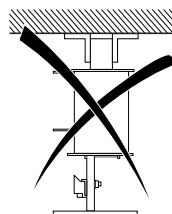
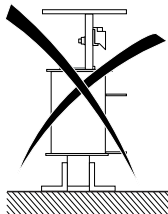
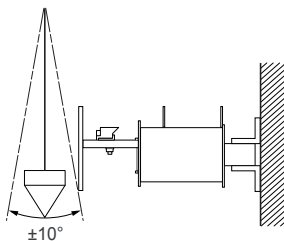
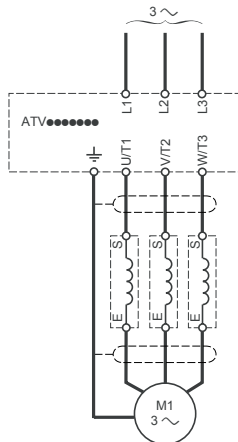


VW3 A5 101	12 A
VW3 A5 102	48 A
VW3 A5 103	90 A
VW3 A5 104	3 x 215 A
VW3 A5 105	3 x 314 A
VW3 A5 106	3 x 481 A
VW3 A5 107	3 x 759 A
VW3 A5 108	3 x 1188 A

VW3 A5 101 ... 103

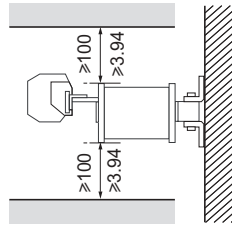
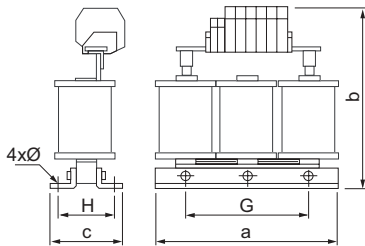


VW3 A5 104 ... 108



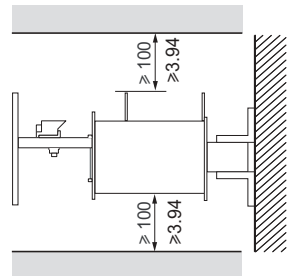
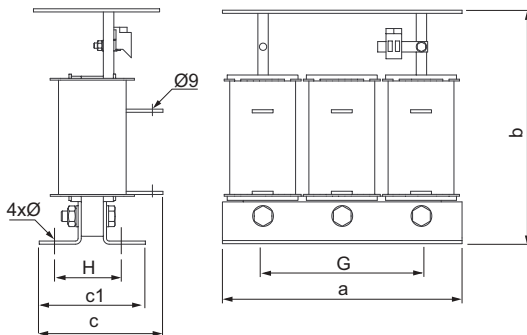
- Clipsal
- Merlin Gerin
- Square D
- TAC
- Telemecanique

## VW3 A5 101 ... 102



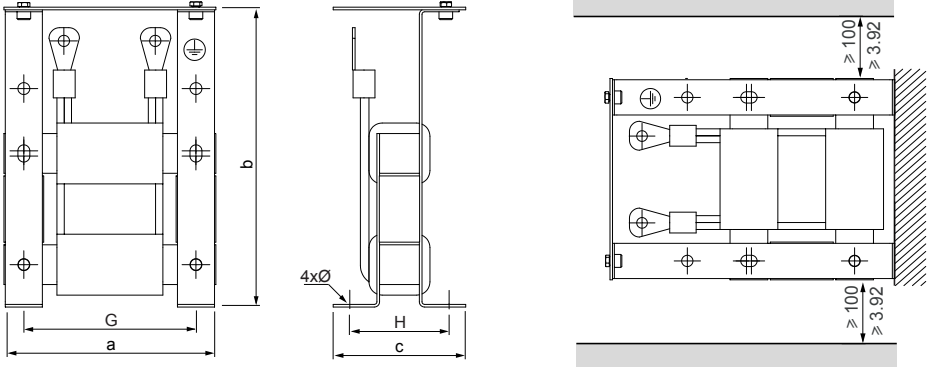
	a		b		c		G		H		Ø	
	mm	in	mm	in	mm	in	mm	in	mm	in	mm	in
VW3 A5 101	190	7.48	210	8.27	90	3.54	170	6.69	45	1.77	8 x 12	0.31 x 0.47
VW3 A5 102	190	7.48	235	9.25	120	4.73	170	6.69	48	1.89	8 x 12	0.31 x 0.47

## VW3 A5 103

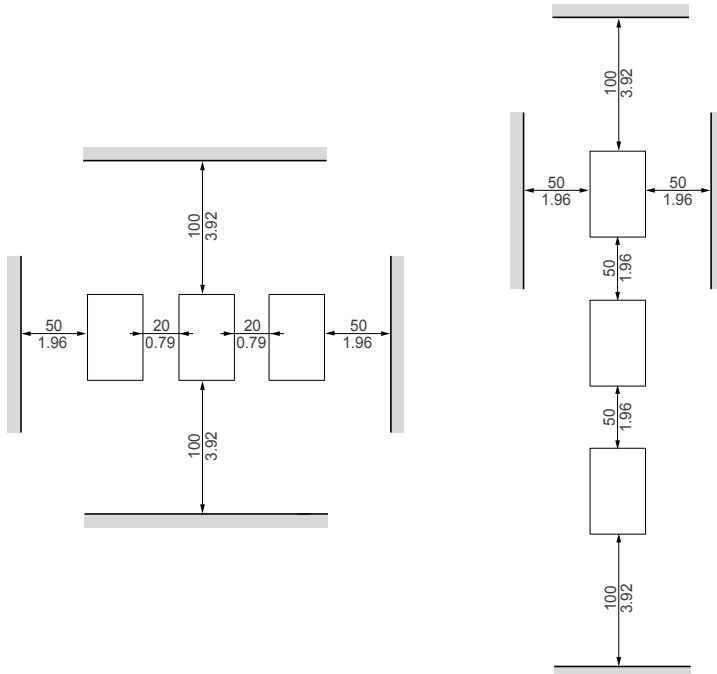


	a		b		c		c1		G		H		Ø	
	mm	in	mm	in	mm	in	mm	in	mm	in	mm	in	mm	in
VW3 A5 103	234	9.06	226	9.21	126	4.96	101	3.98	180	7.09	79	3.11	8 x 13	0.31 x 0.51

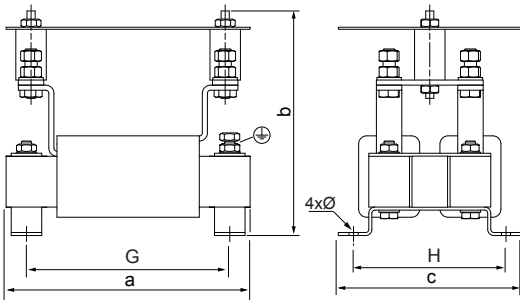
# VW3 A5 104 ... 105



	a		b		c		G		H		Ø	
	mm	in	mm	in	mm	in	mm	in	mm	in	mm	in
VW3 A5 104	170	6.69	250	9.84	100	3.94	150	5.91	75	2.95	9 x 18	0.35 x 0.71
VW3 A5 105	210	8.27	250	9.84	110	4.33	175	6.89	75	2.95	9 x 13	0.35 x 0.51



# VW3 A5 106 ... 108



	a		b		c		G		H		Ø	
	mm	in	mm	in	mm	in	mm	in	mm	in	mm	in
VW3 A5 106	245	9.65	250	9.84	200	7.87	225	8.77	175	6.89	9	0.35
VW3 A5 107	320	12.48	250	9.84	220	8.66	275	10.83	200	7.87	9	0.35
VW3 A5 108	370	14.57	250	9.84	230	9.06	325	12.80	200	7.87	9	0.35

