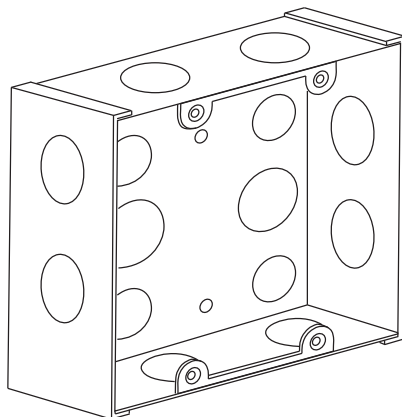
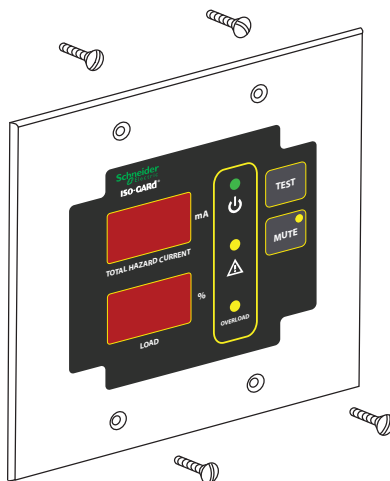


Iso-Gard® Remote Display Unit for the Line Isolation Monitor (LIM)

MLHG6RD-AU



147/2 Wall Box



Setup Guide

The Remote Display Unit, MLHG6RD-AU, communicates with the LIM over an RS-485 network. Up to two (2) Remote Display Units (remote) can be connected to a single LIM.

Each Remote Display Unit must have a unique address on the network and electrical termination is required.

This Setup Guide describes installation and setup (setting or changing the unit address). For more information, refer to the *Line Isolation & Overload Monitor Installation and Reference Guide* for the MLHG6 MLHG6-AU.

DANGER

HAZARD OF ELECTRIC SHOCK, EXPLOSION OR ARC FLASH

- This product must only be installed and serviced by appropriately qualified and/or licenced electrical personnel.
- Isolate the electrical supply before doing any work on this product.
- Ensure that the product has been correctly installed and tested for safe operation before reconnecting the electrical supply.
- Any network cable used to connect RS-485 devices must have insulation rated at the highest voltage present in the enclosure.
- Keep the network cable segregated from line voltage conductors.

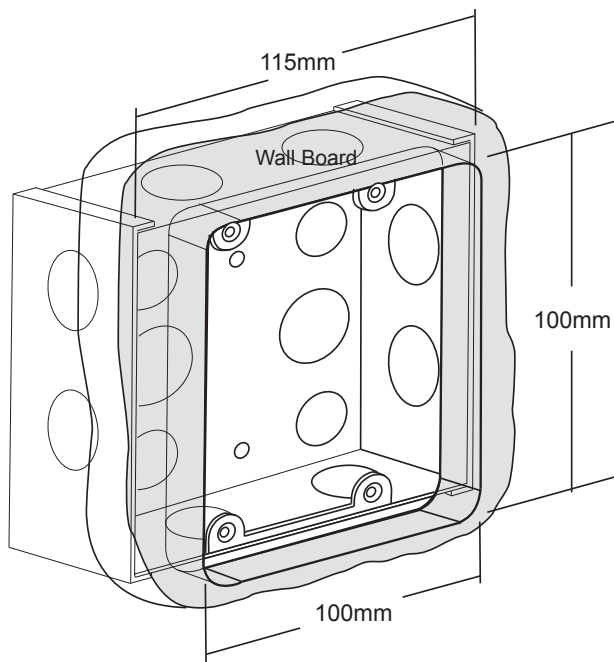
Failure to follow these instructions will result in death or serious injury.

Installation

Catalogue Number	Component or Accessory Name	Included with LIM	Ordered separately
MLHG6RD-AU	Remote Display Unit (suits the Line Isolation Monitor, LIM) with front plate, MLHG6RD-AU mounting kit and 120Ω resistor	No	Yes
147/2	Clipsal 2 Gang (Duplex) Wall Box	No	Yes
2A1PIS24 / 2A2PIS24	Clipsal Professional Series Low Capacitance Screened Instrumentation Cable for balanced pair operation (RS422/RS485)	No	Yes

The Remote Display Unit must be installed in a 147/2 Wall Box (not provided). Make sure the the wall box is recessed behind the wall surface so that the front plate of the remote unit fits firmly against the wall with no visible gaps.

Cut a 100mm x 100mm hole in the wall board so that the sides of the wall box extend beyond the cut out area by about 7mm on each side. This will ensure that the remote unit is held firmly in place by the supplied mounting screws.



147/2 Duplex Wall Box

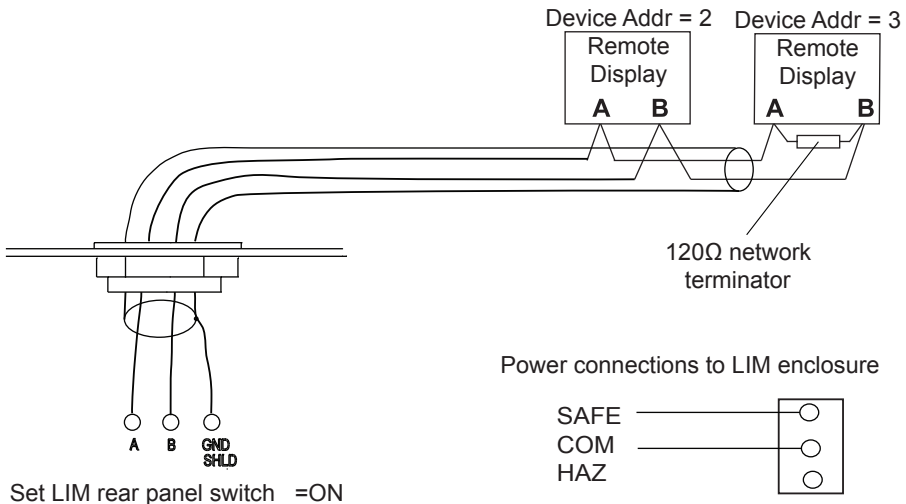
Wiring

Use low-capacitance screened instrumentation cable for the network (catalogue no. 2A1PIS24, or similar). Keep network cables segregated from mains power conductors.

The display unit has A and B connections, 12V power and ground fixed with screw terminals.

The network cable shield (GND SHLD) is connected at the LIM end but not at the remote unit.

Network termination is important. The LIM has a switch on the back panel that provides termination when the RS-485 network is used. A 120Ω resistor is connected across the terminals of the last device on the network.



Unique Communications Address

Up to two (2) MLHG6RD-AU remotes may be connected to a single LIM. Each remote must be assigned a unique bus address for proper operation as below:

- The connected LIM will be assigned address 1.
- A single connected Remote Display Unit will be assigned address 2. This is the factory default.
- An additionally connected Remote Display Unit must be assigned address 3.

The procedure for changing the address of a Remote Display Unit is provided on the next page.

Changing the Address of an MLHG6RD-AU

Follow these steps to change the communications address of the unit.

1. Hold the TEST and MUTE buttons simultaneously for at least four (4) seconds. "SP" will display on both screens.



2. Push the TEST button until "Ad" is displayed in the top screen, and two numbers (factory default "02") are displayed in the bottom screen. This number is the communication address of the MLHG6RD-AU remote.



3. Press the MUTE button. Press the TEST button until the desired address is displayed on the screen. Press the MUTE button to confirm this value.



4. Press the TEST button. "Ar" will display on the top screen, and two numbers (factory default "01") will display on the bottom screen. This is the address of the connected LIM, MLHG6- AU. In most applications, this value will not need to be changed. If so, skip to step 5. Otherwise, do the following:



Press the MUTE button. Press the TEST button until the desired MLHG6-AU address appears, and press MUTE again to confirm this value.

5. Cycle power to the MLHG6RD-AU to finish.

Display Unit Features

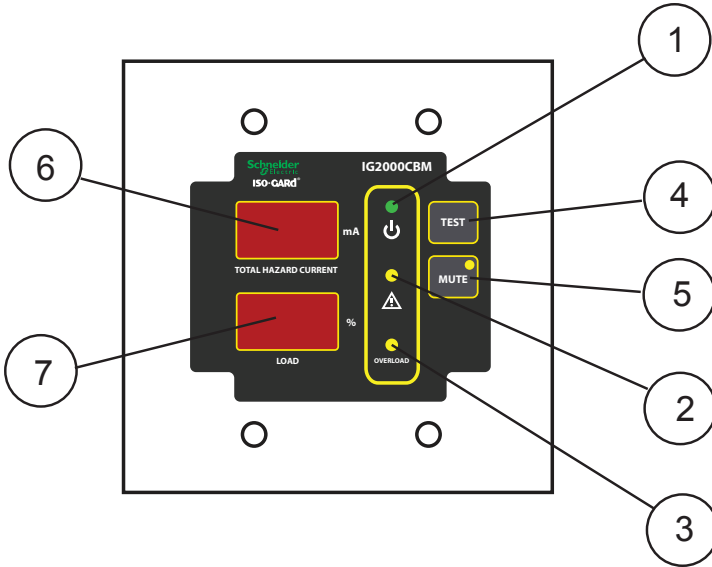
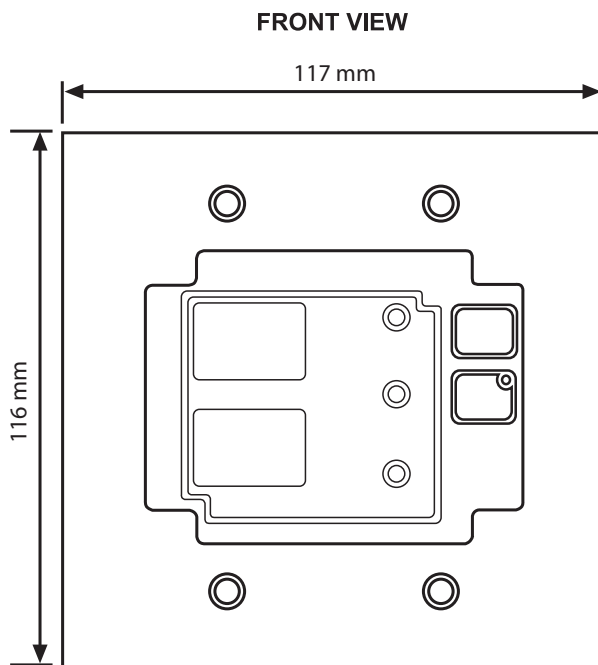


Figure Number	Display Unit Feature
1	Green "NORMAL OPERATION" LED. Illuminates when the connected LIM is in the normal condition.
2	Yellow "HAZARD" LED. Illuminates when the connected LIM, MLHG6-AU is in the alarm condition.
3	Yellow "OVERLOAD" LED. Illuminates when the connected LIM, MLHG6-AU's transformer overload alarm is active.
4	TEST button. Initiates a self-test of the connected LIM.
5	MUTE button with amber LED. Mutes the audible alarm when in the alarm condition. The amber LED indicates that the audible alarm has been muted.
6	THC Digital Display. Shows the Total Hazard Current in real time.
7	Overload Digital Display. Shows the transformer overload percentage in real time.

Technical Data	
Operating voltage	12V d.c. or 12V a.c.
Max. current	100mA
Operation class	Continuous operation
Ambient temperature when operating when stored	0° C to +50°C -25° C to +70° C
Connection	Screw terminal block
Conductor size/length	RS-485 twisted, shielded pair: 0.2 to 3.3mm ² / max. 30m
Tightening torque	0.5 to 0.8 N-m
Mounting	In wall, use 147/2 wall box
Weight	150g



Customer care—Australia

We warrant this product for 2 years. For details, visit:
<https://www.schneider-electric.com.au/en/about-us/legal/terms-and-conditions.jsp>

Our goods also come with guarantees that cannot be excluded under the Australian Consumer Law. You are entitled to a replacement or refund for a major failure and compensation for any other reasonably foreseeable loss or damage. You are also entitled to have the goods repaired or replaced if the goods fail to be of acceptable quality and the failure does not amount to a major failure.

Schneider Electric (Australia) Pty Ltd

Customer Care: 1300 369 233

Email: customercare.au@schneider-electric.com

www.schneider-electric.com.au

Customer care—New Zealand

We warrant this product for 2 years. For details, visit:
<https://www.schneider-electric.co.nz/en/about-us/legal/terms-and-conditions.jsp>

Schneider Electric (NZ) Ltd

Customer Care: 0800 652 999

Email: sales@nz.schneider-electric.com

www.schneider-electric.com



Schneider Electric reserves the right to change specifications, modify designs and discontinue items without incurring obligation and whilst every effort is made to ensure that descriptions, specifications and other information in this catalogue are correct, no warranty is given in respect thereof and the company shall not be liable for any error therein.

© 2018 Schneider Electric.

Medilec is a trademark of Schneider Electric (Australia) Pty Ltd or its affiliated companies. Other trademarks are the property of their respective owners.

This material is copyright under Australian, New Zealand and international laws. Except as permitted under the relevant law, no part of this work may be reproduced by any process without prior written permission of and acknowledgement to Schneider Electric.