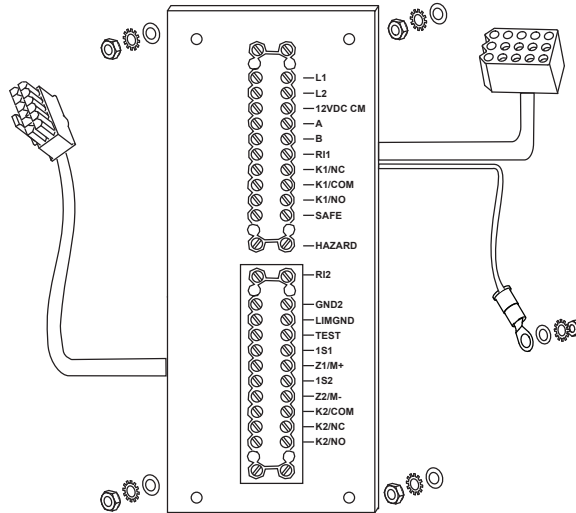


Iso-Gard® Connector Plate for LIM MLHG6C-AU



ISO-GARD®
Line Isolation Monitor



Connector Plate

Instructions

Suitability

The Connector Plate is sold as a standalone unit. The plate is used as a connection point for the Line Isolation Monitor (LIM) and the Current Transformer and Test Simulation Module.

The equipment is installed in a cabinet or service panel. For complete details, including installation, setup, settings, and troubleshooting, refer to the *Line Isolation & Overload Monitor Installation and Reference Guide* for the MLHG6/MLHG6-AU.

DANGER

HAZARD OF ELECTRIC SHOCK, EXPLOSION OR ARC FLASH

- This product must only be installed and serviced by appropriately qualified and/or licenced electrical personnel.
- Isolate the electrical supply before doing any work on this product.
- Ensure that the product has been correctly installed and tested for safe operation before reconnecting the electrical supply.
- The LIM and Connector Plate must be installed in a cabinet/enclosure and properly earthed.
- Any network cable used to connect RS-485 devices must have insulation rated at the highest voltage present in the enclosure.
- Keep the network cable segregated from line voltage conductors.

Failure to follow these instructions will result in death or serious injury.

Orderable Parts The Connector Plate sold as a standalone item. The Connector Plate has two integral cable harnesses and small hardware items.

Catalogue Number	Component or Accessory Name	Part of Basic LIM	Ordered Separately
MLHG6C-AU	Connector Plate for LIM	No	Yes
MLHG6CT-AU	Current Transformer	No	Yes
MLHG6T-AU	Test Simulator Module	No	Yes

For Your Safety

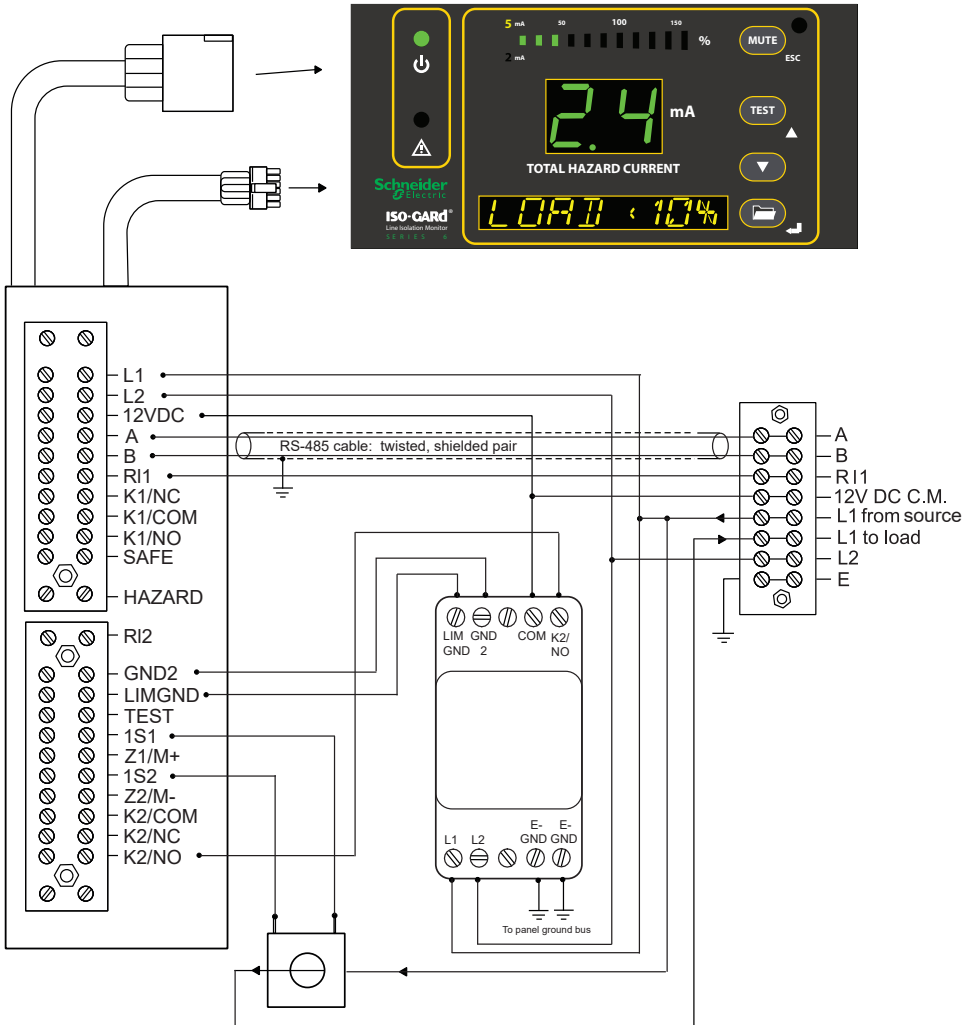
DANGER

HAZARD OF ELECTRIC SHOCK, EXPLOSION OR ARC FLASH

- This product must only be installed and serviced by appropriately qualified and/or licenced electrical personnel.
- Isolate the electrical supply before doing any work on this product.
- Ensure that the product has been correctly installed and tested for safe operation before reconnecting the electrical supply.
- The LIM and Connector Plate must be installed in a cabinet/enclosure and properly earthed.
- Any network cable used to connect RS-485 devices must have insulation rated at the highest voltage present in the enclosure.
- Keep the network cable segregated from line voltage conductors.

Failure to follow these instructions will result in death or serious injury.

Wiring



Customer care—Australia

We warrant this product for 2 years. For details, visit:
<https://www.schneider-electric.com.au/en/about-us/legal/terms-and-conditions.jsp>

Our goods also come with guarantees that cannot be excluded under the Australian Consumer Law. You are entitled to a replacement or refund for a major failure and compensation for any other reasonably foreseeable loss or damage. You are also entitled to have the goods repaired or replaced if the goods fail to be of acceptable quality and the failure does not amount to a major failure.

Schneider Electric (Australia) Pty Ltd

Customer Care: 1300 369 233
Email: customercare.au@schneider-electric.com
www.schneider-electric.com.au

Customer care—New Zealand

We warrant this product for 2 years. For details, visit:
<https://www.schneider-electric.co.nz/en/about-us/legal/terms-and-conditions.jsp>

Schneider Electric (NZ) Ltd

Customer Care: 0800 652 999
Email: sales@nz.schneider-electric.com
www.schneider-electric.com



Schneider Electric reserves the right to change specifications, modify designs and discontinue items without incurring obligation and whilst every effort is made to ensure that descriptions, specifications and other information in this catalogue are correct, no warranty is given in respect thereof and the company shall not be liable for any error therein.

© 2018 Schneider Electric.

Medilec is a trademark of Schneider Electric (Australia) Pty Ltd or its affiliated companies. Other trademarks are the property of their respective owners.

This material is copyright under Australian, New Zealand and international laws. Except as permitted under the relevant law, no part of this work may be reproduced by any process without prior written permission of and acknowledgement to Schneider Electric.