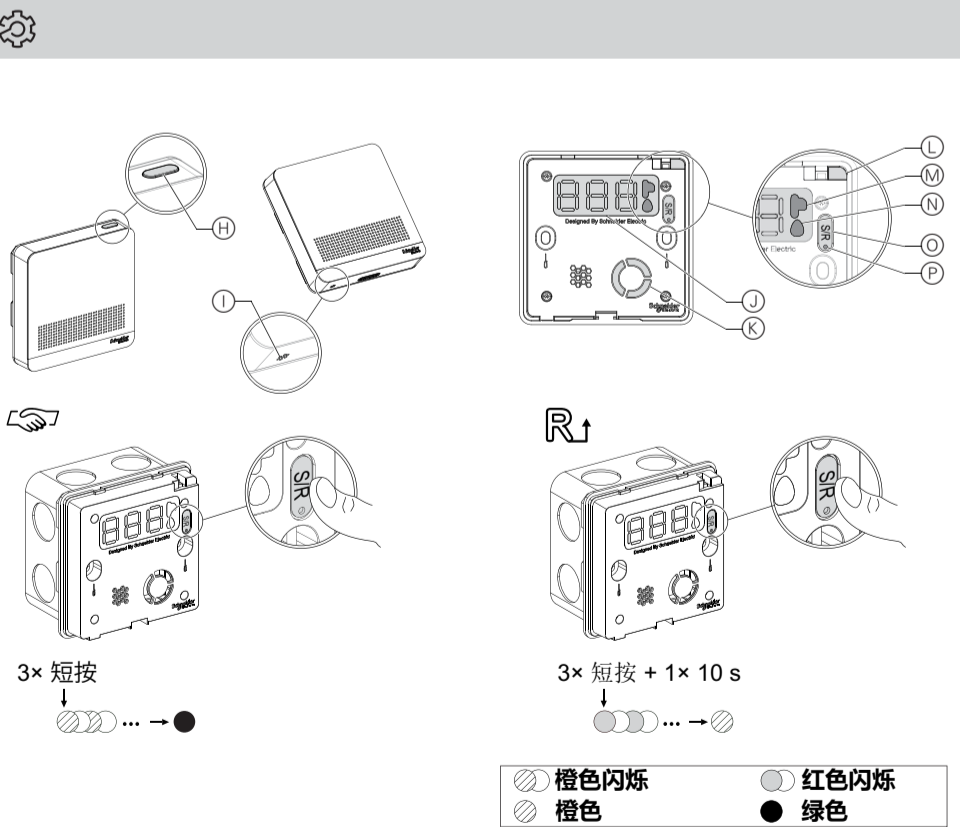
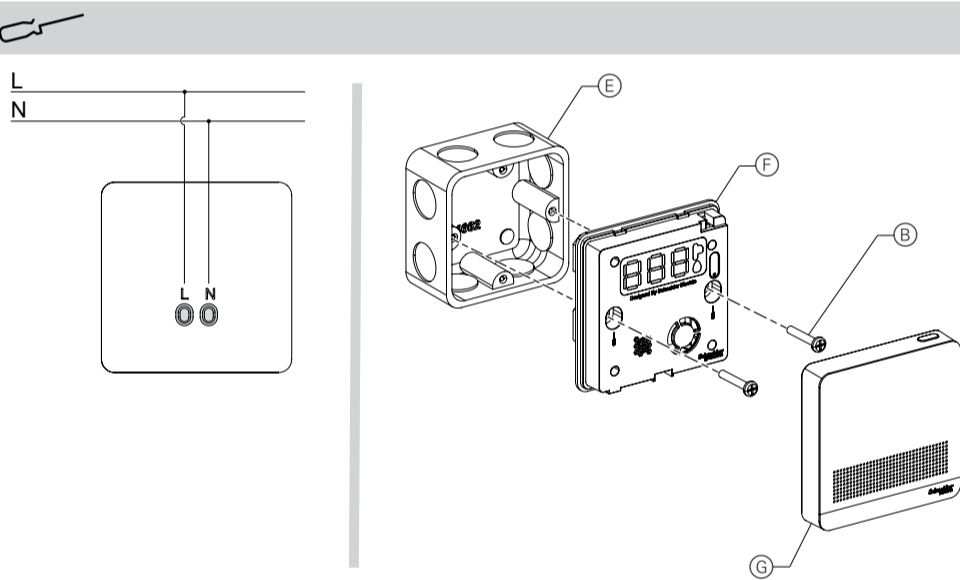
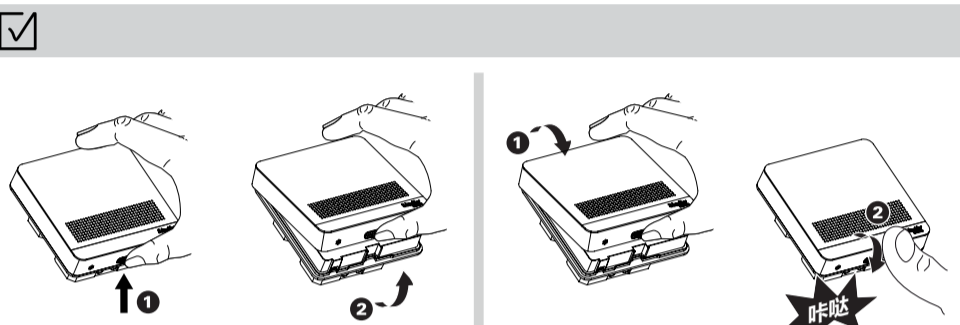
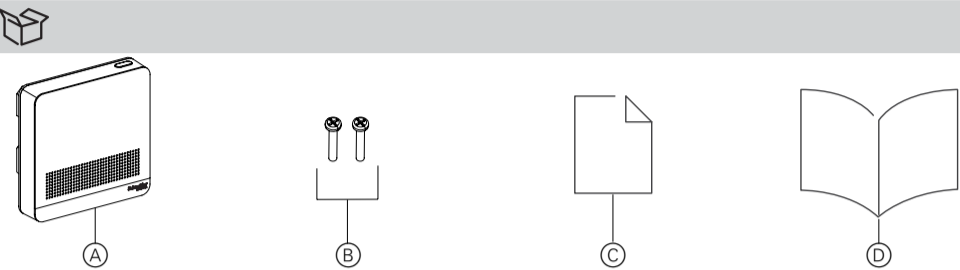


E83394011\_C1

## 智能感应器

Schneider Electric



## 安全提示

## ⚠️ 危险

## 触电·爆炸或电弧闪光危险

- 本产品应仅由具有相应资质和/或获得相应证书的电气人员进行安装和维护。
- 本产品应仅用于本说明书中所述的用途，且必须根据接线规则和当地法规进行安装。
- 进行带电作业时，请遵守相关规定。
- 对产品进行任何操作之前，务必切断电源。
- 重新连接电源之前，本产品必须正确安装且经过测试，确保操作的安全性。

若不遵守此说明，则可能会导致死亡或重伤。

## 注意

## 设备损坏风险

请始终根据指定的技术数据操作产品。

本产品是安装在墙上和永久连接式的，不带开关或断路器，用户需另行安装开关或断路器。

- 开关或断路器应当包含在建筑物的设施中；
- 开关应当靠近设备，而且应当是在操作人员易于达到的地方；
- 开关或断路器的标志应当标成是该设备用的断开装置。

若不遵守此说明，则可能会导致设备损坏。

## 前提条件

扫描二维码下载 Wiser by SE app 到您的智能手机，以配置和安装 Wiser Zigbee 设备

App Store 的 URL:  
<https://itunes.apple.com/us/app/wiser-by-se/id1026806919?ls=1&mt=8>Android Store 的 URL:  
<https://www.schneider-electric.cn/zh/product-range-download/65750-泽尚无线智能家居#/software-firmware-tab>

## 产品简介

智能空气质量探测器(本设备)可检测房间内悬浮粒子的浓度、温度和湿度水平。在三位LED段码显示器上显示出检测值。本设备具有连接至Wiser智能ZB/IP网关的接口。

## 功能：

- 检测空气中微小颗粒并显示颗粒物PM2.5检测值。
- 通过不同颜色的空气质量LED环形指示灯显示PM 2.5状态。
- 检测并显示温度范围。
- 检测并显示湿度水平。
- 以固定的时间间隔向移动应用程序上报测量结果。

如需有关详细信息，请参阅系统用户指南。

## 包装内容

- (A) 智能空气质量探测器
- (B) 螺钉(用户安装时，只需要根据现场需求使用其中的一对螺钉):  
2颗:M3.5 × 32 mm  
2颗:M4.0 × 25 mm
- (C) 合格证书
- (D) 安装说明书

## 连接元件

- (E) 墙盒
- (F) 模块
- (G) 盖板



包装内不包含墙盒。

## 选择安装位置



- 确保墙壁上有最小深度为(40 mm)的孔眼，可用于安装本设备。
- 必须使用标准的 86 墙盒进行安装。

## 安装设备

## 取下盖板

要取下盖板，按下底部的扣位即可。

## ⚠️ 注意

## 设备损坏

请始终根据指定的技术数据操作产品。

若不遵守此说明，则可能会导致人员受伤或设备损坏。

## 重新安装盖板

要安装盖板，请将盖板插入到设备中，并往下按，直至扣位发出咔哒声。



- 请勿将此设备安装在冰箱，碗柜或橱柜等大型金属物体背后，因为这会影响设备的无线通信范围和性能。
- 盖板必须在安装前取下。

## 操作元件

- (H) 显示切换按钮
- (I) 温湿度传感器

- (J) LED段码显示器
- (K) 空气质量传感模块
- (L) 空气质量环形指示灯
- (M) 温度图标
- (N) 湿度图标
- (O) S/R 按钮
- (P) 编程指示灯

如需有关详细信息，请参阅系统用户指南。

## 设置设备

## 调试设备

短按(&lt;1秒)S/R按钮3次，连接至可用网络或创建新的网络连接。

## 重置设备

短按(&lt;1秒)S/R按钮3次，然后长按S/R按钮10秒以上，将设备重置为出厂默认模式。设备重置成功后，所有配置数据，用户数据和网络数据均被删除。更多信息，请参阅系统用户指南。

## 空气质量LED环形指示灯的性能

LED环形指示灯颜色	PM2.5值	空气质量
绿色	0-35 $\mu\text{g}/\text{m}^3$	优
黄色	36-75 $\mu\text{g}/\text{m}^3$	良好
橙色	76-115 $\mu\text{g}/\text{m}^3$	轻度污染
红色	>116 $\mu\text{g}/\text{m}^3$	中度污染/重度污染

如需有关详细信息，请参阅系统用户指南。

## 操作设备

## 显示值

接通电源后，设备默认显示PM 2.5值。按显示切换按钮，可将LED段码显示器切换至显示温度值或湿度值。

## 配置设备

可通过移动应用程序设置本设备。

如需有关详细信息，请参阅系统用户指南。

## 编程指示灯的行为

请参阅系统用户指南。

## 故障排除

请参阅系统用户指南。

## 技术参数

工作电压	AC220 50Hz
温度计量	-10...45 $^{\circ}\text{C} \pm 1.5$ $^{\circ}\text{C}$
湿度计量	35%...80% RH $\pm 5$ % >80% RH $\pm 10$ %
通信接口	2.4 GHz, RF 连接 (IEEE 802.15.4)
IP 等级	IP20
工作温度	-10 $^{\circ}\text{C}$ - 45 $^{\circ}\text{C}$
储存温度	-25 $^{\circ}\text{C}$ - 70 $^{\circ}\text{C}$
工作环境湿度	0% - 95%
储存湿度	0% - 95%
海拔高度	海拔高度低于2000 m
墙盒尺寸 (H × W × D)	75 × 75 × 40 mm 墙盒的深度至少为 40 mm
标准	GB 4793.1-2007 GB/T 18268.1-2010
认证	通过中国RoHS认证

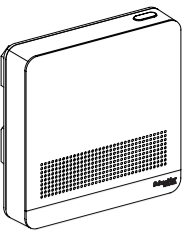
## 商标

Apple® 和 App Store® 是 Apple Inc. 的品牌名称或注册商标。

Android™ 是 Google Inc. 的品牌名称或注册商标。所有其他商标和注册商标均为其各自所有者的财产。

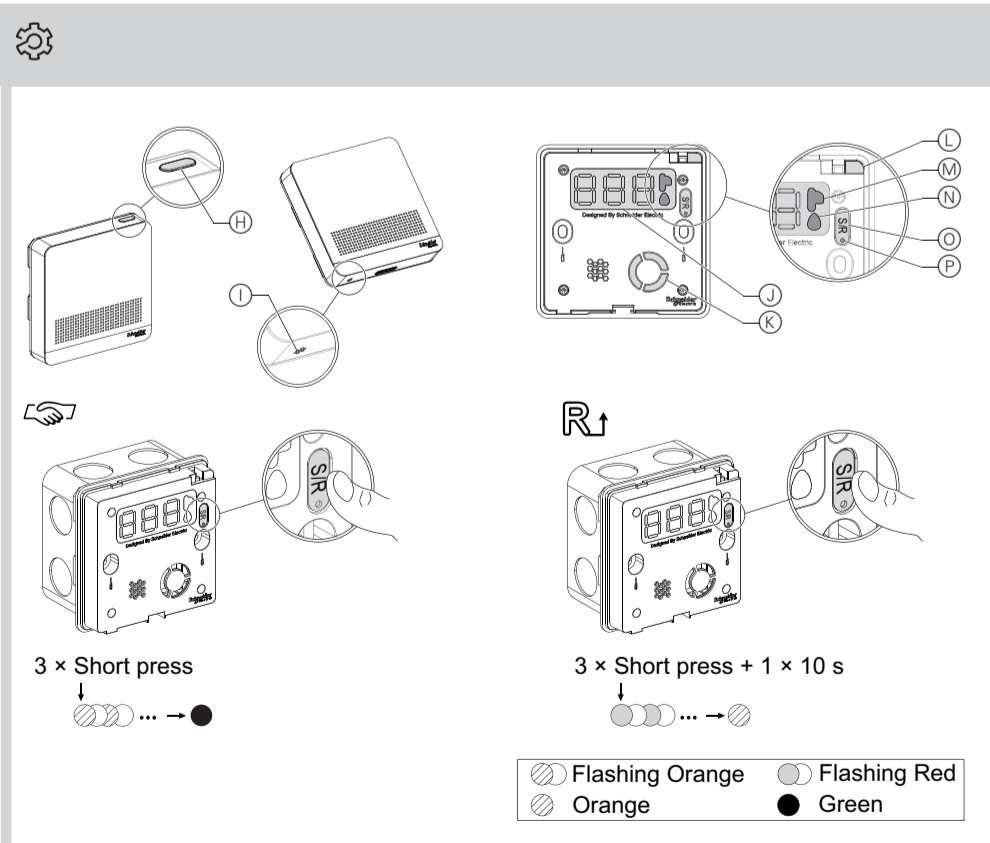
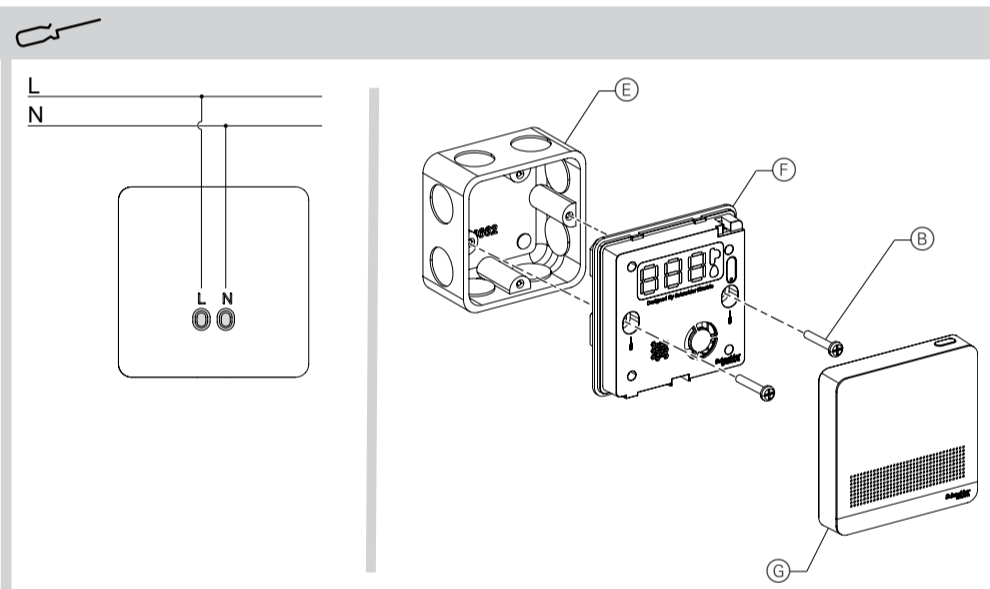
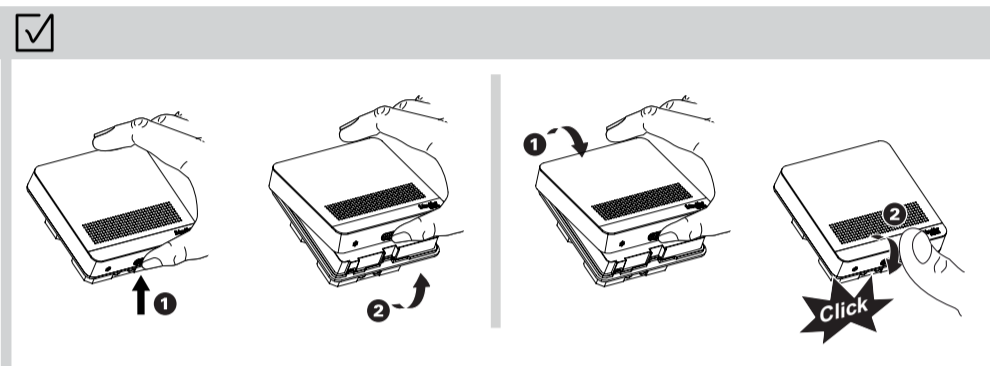
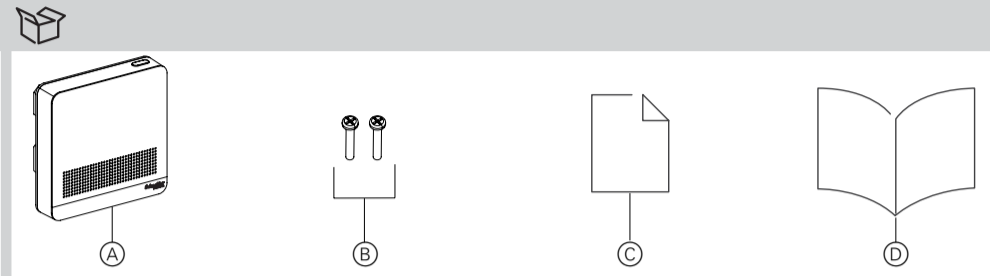
## 施耐德电气(中国)有限公司

北京市朝阳区望京东路六号院  
客户支持热线:400 810 1315  
[se.com/contact](http://se.com/contact)

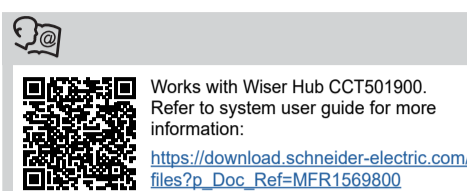
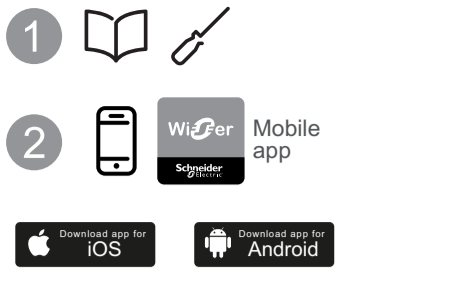


E83394011\_C1

Wiser



en zh



# Wiser Air Quality Detector

E83394011\_C1

## For your safety

**⚠️ DANGER**

**RISK OF ELECTRIC SHOCK, EXPLOSION OR ARC FLASH**

- This product must only be installed and serviced by appropriately qualified and/or licenced electrical personnel.
- This product must only be used for the purpose described in these instructions and must be installed in accordance with the wiring rules and regulations in that location.
- Observe the regulations while working on live parts.
- Isolate the electrical supply before doing any work on this product.
- Ensure that the product has been correctly installed and tested for safe operation before reconnecting the electrical supply.

**Failure to follow these instructions will result in death or serious injury.**

**NOTICE**

**RISK OF DAMAGE TO DEVICE**

Always operate the product in compliance with the specified technical data.

This product is mounted on the wall and connected permanently, without switches or circuit breakers. Install switches or circuit breakers separately.

- Switches or circuit breakers should be included in building facilities;
- Switches should be close to the equipment and should be accessible to the operator;
- Switches or circuit breakers shall be marked as disconnecting devices for the equipment.

**Failure to follow these instructions can result in equipment damage.**

**Prerequisites**

Scan the QR code to download the Wiser by SE app onto your smartphone to configure and control the Wiser devices.

App Store URL: <https://itunes.apple.com/us/app/wiser-by-se/id1026806919?ls=1&mt=8>

Google Play Store URL: <https://play.google.com/store/apps/details?id=com.schneiderelectric.WiserBySE>

**Getting to know the product**

The Wiser Air Quality Detector (the *device*) measures the density of suspended particles, temperature, and humidity levels in a room. The detected values are displayed in the 3-digit LED segment display. The device has an interface to connect to the Wiser ZB/IP Gateway.

**Functions:**

- Measures the tiny particles in air and displays the Particle Measurement PM 2.5 value.
- Indicates the PM 2.5 status through the Air quality LED indicator ring using different colors.
- Detects and displays the temperature level.
- Detects and displays the humidity level.
- Reports the measured values at regular time intervals to the mobile app.

For details, refer to the System user guide.

**Package contents**

- (A) Wiser Air Quality Detector
- (B) Screws (Installer can use only one set of screws according to installation needs):  
Quantity 2 M3.5 × 32 mm  
Quantity 2 M4.0 × 25 mm
- (C) Certificate
- (D) Installation instructions

**Connection elements**

- (E) Wall box
- (F) Module
- (G) Cover plate

**i** The wall box is not included in the package.

**Choosing the installation location**

**i**

- Make sure there is a minimum depth (40 mm) on the wall to install the device.
- A standard 86 wall box must be used for installation.

**Mounting the device**

**Removing the cover plate**

⇒

To remove the cover plate, press the buckle at the bottom and remove.

**⚠️ CAUTION**

**EQUIPMENT DAMAGE**

Always operate the device in compliance with the specified technical data.

**Failure to follow these instructions can result in injury or equipment damage.**

**Reinstalling the cover plate** ⇒

To install the cover plate, insert the cover plate on the module and press until the buckle clicks.

**i**

- Do not install the device behind large metal objects, such as refrigerators, cabinets, or cupboards, as it will affect the wireless communication range and performance of the device.
- Make sure that the cover plate is removed from the device before installation.

**Operating elements**

- (G) Display switch button
- (H) Temperature and humidity sensor
- (I) Segment LED display
- (J) Air Quality sensing module
- (K) Air Quality LED indicator ring
- (L) Temperature icon
- (M) Humidity icon
- (N) S/R button
- (O) Programming indicator

For details, refer to the system user guide.

**Setting the device**

**Commissioning the device** ⇒

Short press (<1 s) the S/R button 3 times to connect to an available network or to create a new network.

**Resetting the device** ⇒

Short press (<1 s) the S/R button 3 times and then long press the S/R button once for >10 s to reset the device to factory default mode.

Upon successful device reset, all configuration data, user data, and network data is deleted.

For more information, refer to the system user guide.

**Behaviour of Air Quality LED indicator ring**

LED Ring Color	PM2.5 Value	Air Quality
Green	0-35 µg/m³	Excellent
Yellow	36-75 µg/m³	Good
Orange	76-115 µg/m³	Slightly polluted
Red	>116 µg/m³	Moderate/above permissible level

For details, refer to the System user guide.

**Operating the device**

**Displaying values**

When the device is powered, it displays the PM 2.5 value by default. The LED segment display can be switched to show the temperature and humidity values by pressing the Display switch button.

**Configuring the device**

The device can be configured through the mobile app. For details, refer to the system user guide.

**Behaviour of the programming indicator**

Refer to the system user guide.

**Troubleshooting**

Refer to the system user guide.

**Technical data**

Operating voltage	AC220V 50Hz
Temperature metering	-10...45 °C ± 1.5 °C
Humidity metering	35%...80 % RH ± 5 % >80 % RH ± 10 %
Communication interface	2.4 GHz, RF connection (IEEE 802.15.4)
IP rating	IP20
Operating temperature	-10 °C to 45 °C
Operating humidity	0% to 95%
Altitude	Less than 2000 m above sea level
Wall box dimensions (H × W × D)	75 × 75 × 40 mm <b>i</b> The wall box must have minimum 40 mm depth.
Standard	GB 4793.1-2007 GB/T 18268.1-2010
Certification	China RoHS compliant

**Trademarks**

- Apple® and App Store® are brand names or registered trademarks of Apple Inc.
- Android™ is a registered trademark of Google Inc. Other brands and registered trademarks are properties of their relevant owners.

**Schneider Electric Asia Pacific Limited**

11th Floor, Kerry Centre, 683 King's Road, Quarry Bay, Hong Kong  
[se.com/contact](http://se.com/contact)