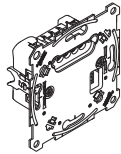


## DALI insert

Operating instructions



Art. no. MEG5185-0000, MTN5185-0000

## Necessary accessories

- To be completed with:
- corresponding modules (see function overview).

## Accessories

- PlusLink Expander (Art. no. MEG5130-0000)
- PlusLink distributor (3 cycles) (Art. no. MEG5130-0001)

## For your safety

### ⚠ ⚠ DANGER

#### HAZARD OF ELECTRIC SHOCK, EXPLOSION, OR ARC FLASH

Safe electrical installation must be carried out only by skilled professionals. Skilled professionals must prove profound knowledge in the following areas:

- Connecting to installation networks
- Connecting several electrical devices
- Laying electric cables
- Safety standards, local wiring rules and regulations

**Failure to follow these instructions will result in death or serious injury.**

### ⚠ ⚠ DANGER

#### HAZARD OF ELECTRIC SHOCK

The PlusLink carries an electrical current even when the device is switched off.

- Before working on the device, always disconnect the device from the supply via the upstream miniature circuit breaker.

If one or more PlusLink lines are separately fused in your installation then they are not electrically isolated from one another.

- In this case, you should use the PlusLink Expander.

**Failure to follow these instructions will result in death or serious injury.**

## Notice

### HAZARD OF EQUIPMENT DAMAGE

- Connect all connected devices of one or several PlusLink lines to the same phase or use a PlusLink terminal for cross-phase installation
- Ensure that the device is disconnected from its circuit during the insulation resistance test..

**Failure to follow these instructions can damage the device.**

## Getting to know the DALI insert

You can use the DALI insert (referred to below as **insert**) to control up to 15 DALI EBs (Electronic Ballasts).

You can connect up to 6 inserts to one DALI line. However the maximum number of 64 DALI EBs and a cable length of 300 m must not be exceeded.

The insert also comes with a **PlusLink** input, with which you can control the insert from another location. The insert, completed with a module (see the function overview), is the receiving device and is controlled via **PlusLink (PL)** by the sending device.

Sending devices are, for instance:

- Central unit inserts (completed with corresponding modules)
- Side controller Plus, 1-gang/2-gang
- Mechanical push-button
- External sensors

To be able to use the PlusLink, you require a separate core in your installation.

**i** The total length of cable sections in a PL line is not allowed to exceed 100 m (when a 3-core cable is used).

The memory function with on/off function (see the module manual for instructions on operation) allows the insert to memorise the most recently set brightness value and recall it.

## Notice

### HAZARD OF EQUIPMENT DAMAGE

- Only connect DALI EBs to the DALI outputs.
- The DALI output (D+, D-) does not have surge protection. Connecting AC 220/230 V will destroy the insert.
- Operate the insert only on a sinusoidal mains voltage.

**Failure to follow these instructions can damage the device.**

**i** Observe the specific limitations of the insert:

- The insert may only be used with category-I control units with a DALI line, which do not cause frequent telegram collisions. A combination of max. 6 DALI control inserts (art. no. MEG5185-0000) is permitted.
- max. 15 DALI EBs per insert
- max. 64 DALI EBs per DALI line
- max. 300 m DALI cable length

## Function overview of the insert completed with corresponding modules

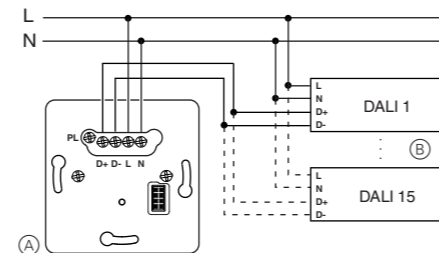
| Module:   | Function:   |
|---|---|
| Connected push-button module, 1-gang                  | <ul style="list-style-type: none"> <li>• switching on/off</li> <li>• Dimming</li> </ul> Additional app functions <sup>1</sup>                                   |
| Connected push-button module, 2-gang                  | <ul style="list-style-type: none"> <li>• switching on/off</li> <li>• Dimming</li> </ul> Additional app functions <sup>1</sup>                                   |
| Rotary module   | <ul style="list-style-type: none"> <li>• switching on/off</li> <li>• Dimming</li> <li>• Calling up and saving lightscenes</li> </ul>                            |
| ARGUS 180 flush-mounted sensor module                 | <ul style="list-style-type: none"> <li>• Brightness dependent staircase lighting function</li> </ul>  |
| ARGUS 180 flush-mounted sensor module with switch     | <ul style="list-style-type: none"> <li>• Brightness dependent staircase lighting function</li> <li>• Permanently switching staircase lighting on/off</li> </ul> |
| ARGUS Presence 180/2.20 m flush-mounted sensor module | <ul style="list-style-type: none"> <li>• Brightness dependent staircase lighting function</li> </ul>  |
| ARGUS Presence sensor module with IR                  | <ul style="list-style-type: none"> <li>• Brightness dependent staircase lighting function</li> <li>• IR function</li> <li>• Light control</li> </ul>            |
| Standard display timer module                         | <ul style="list-style-type: none"> <li>• Switching and dimming manually</li> <li>• Time-controlled switching</li> </ul>   |
| Display timer module                                  | <ul style="list-style-type: none"> <li>• Switching and dimming manually</li> <li>• Time-controlled switching</li> <li>• Evaluating DCF timer</li> </ul>         |

<sup>1</sup> For more information about the app and the app functions, please read the instructions for the corresponding module.

## Installing the insert

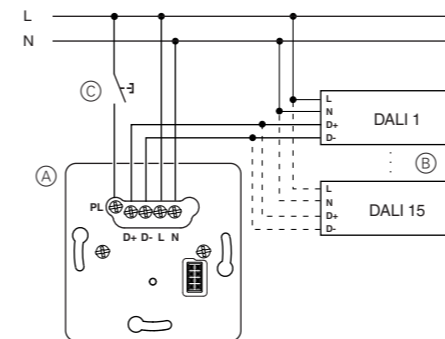
### Wiring the insert for the application required

#### Insert as stand-alone device



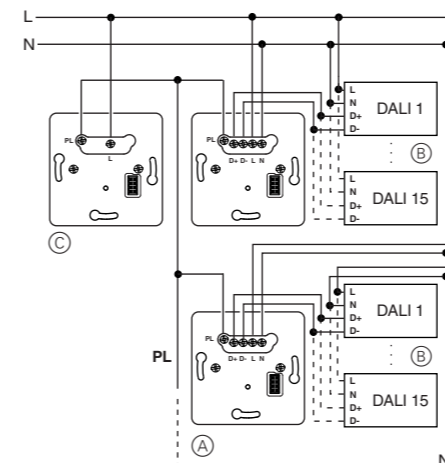
- (A) DALI insert
- (B) DALI EB

### Insert with mechanical push-button via PlusLink



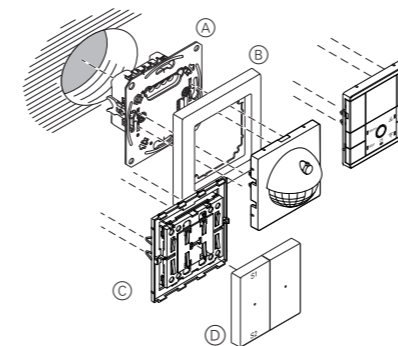
- (A) DALI insert
- (B) DALI EB
- (C) Mechanical push-button (toggle mode)

### Insert in combination with transmitting device via PlusLink (here shown with side controller Plus)



- (A) DALI insert
- (B) DALI EB
- (C) Side controller Plus, 1-gang / 2-gang (transmitting device)

## Installing the device

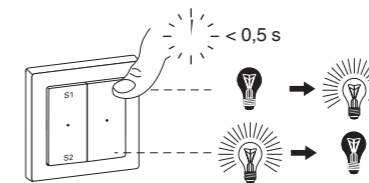


- (A) DALI insert
- (B) Frame
- (C) Module (see function overview)
- (D) Rockers for module

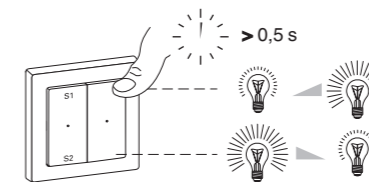
## Operating the insert

**i** The insert is shown here in operation in combination with a push-button module. More details on how to operate the various modules can be found in the relevant operating instructions.

### Switching load on/off



### Dimming the load

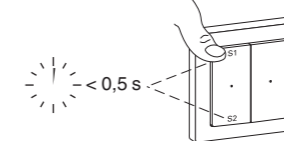


### Calling up lightscenes

(only for push-button module, 2-gang)

#### Standard scenes

All devices are delivered from the factory with pre-settings for a lightscene.



- S1: Light on (100%)
- S2: Light off

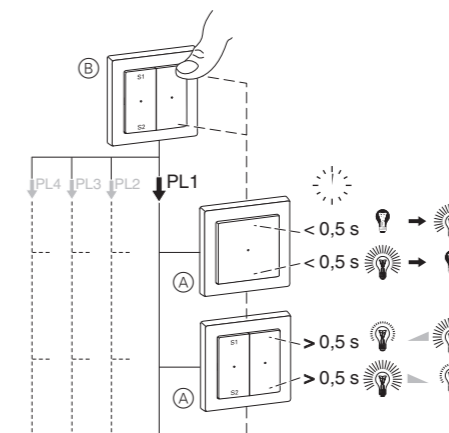
## Controlling loads from another location with transmitting devices via PlusLink. For example:

- Central unit insert with module
- Side controller Plus, 1-gang/2-gang
- Mechanical push-button
- External sensor

### Example operation 1:

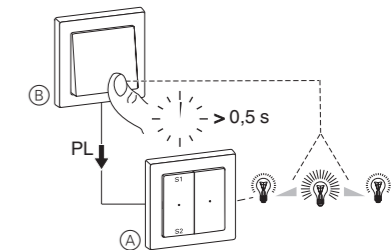
When the push-button module on the central unit insert is pressed, all loads in the PL lines are controlled together:

- Short push-button action (< 0.5 s): turn on/off
- Long push-button action (> 0.5 s): dimming



- (A) DALI insert in PL line 1
- (B) Central unit insert with module

### Example operation 2:



- (A) DALI insert
- (B) Mechanical push-button

## Technical data

|                       |  |
|-----------------------|--|
| Nominal voltage:      | AC 220/230 V ~, 50/60 Hz   |
| Type:                 | Category I Control device  |
| Load type:            | max. 15 controllable DALI EBs  |
| DALI output current:  | max. 30 mA   |
| DALI output voltage:  | 15 V DC (base insulation, no SELV)   |
| Neutral conductor:    | required   |
| Outputs:              | DALI (D+, D-)  |
| Connecting terminals: | Screw terminals for max. 2x 2.5 mm <sup>2</sup>  |
| Protection            | 16 A circuit breaker   |
| Features:             | <ul style="list-style-type: none"> <li>• Short-circuit-proof</li> <li>• overload-proof</li> <li>• memory function</li> </ul> |

Dispose of the device separately from household waste at an official collection point. Professional recycling protects people and the environment against potential negative effects.

## Merten GmbH

Fritz-Kotz-Str. 8  
51674 Wiehl - Germany  
se.com/contact

**Schneider**  
Electric