

MEG5011-0001

merten

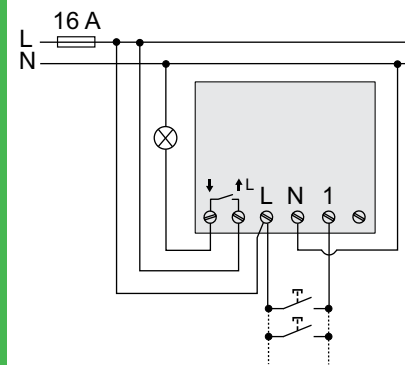
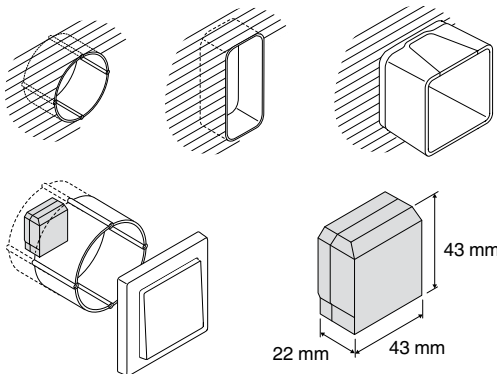
Wisier

Schneider Electric



	2200 W
	2000 W
	500 VA
	100 W
	200 W
	1000 VA

	1050 VA
	10 A, 140µF
	100 W
	200 W



en Wisier micro module light switch

MEG5011-0001

Prerequisites and accessories

- A Bluetooth-capable **smartphone/tablet** with Bluetooth 4.1 or higher is required. Operating systems: Android™ 5.1 or higher, Apple® iOS 10.3 or higher.
- Download the **Wisier app** to your smartphone. You can use the app to couple, set up and control Wisier devices.
- For on-site operation: Supplement the Wisier micro module light switch with a maximum of 10 mechanical push-buttons.
- Home control via the Internet: Supplement your Wisier system with the **Wisier Home Touch** control unit.

Product information is available

More detailed product information is available on the Internet -> see QR code. Contents:

- Overview of system
- Home control via the Internet with Wisier Home Touch
- Behaviour of the status LED



http://download.schneider-electric.com/files?p_Doc_Ref=MEG5011_0001_HW_add_EN

For your safety

DANGER
HAZARD OF ELECTRIC SHOCK, EXPLOSION, OR ARC FLASH

Safe electrical installation must be carried out only by skilled professionals. Skilled professionals must prove profound knowledge in the following areas:

- Connecting to installation networks
- Connecting several electrical devices
- Laying electric cables
- Safety standards, local wiring rules and regulations

Failure to follow these instructions will result in death or serious injury.

DANGER
Risk of fatal injury from electric shock.

The output may carry electrical current even when the load is switched off.

- When working on the device: Always disconnect the device from the supply by means of the fuse in the incoming circuit.

Failure to observe these instructions will lead to death or serious injuries.

Getting to know the module

The Wisier micro module light switch (referred to below as the **module**) is used to switch ohmic, inductive or capacitive loads. The module is actuated either from the Wisier app or from another Wisier device.

i The module must not be used to control safety-relevant applications.

Control options

Room control: To actuate the module within a room, it can be coupled directly via Bluetooth either with your smartphone or with another Wisier device. This coupling type is a default factory presetting.

Home control: To control Wisier devices in a building via the Internet, you will need the Wisier Home Touch control unit.

On-site operation: The module can always be controlled directly on-site. To do this you can connect a maximum of 10 mechanical push-buttons.

Functions

- Switching
- Special functions with the app:
- Timer
 - Time switch with Astro function (adjustable in the app under "Moments"). Without power reserve.

Connections and operating elements

- | | |
|---|----------------------------|
| (A) Status LED | (E) Extension unit input 1 |
| (B) Set-up/reset button/coupling button | (F) Neutral conductor |
| (C) Test button | (G) Outer conductor |
| (D) Unused | (H) Switch contact |

Mounting the module

DANGER
Risk of fatal injury from electric shock.

Make sure that the terminal connection area must not come into contact with the metallic parts (e. g. spreader claw) of the device installed in front of it. Failure to observe these instructions will lead to death or serious injuries.

Choosing the installation location ⇒

If you place the module behind a mechanical push-button, use a deep installation box.

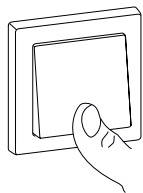
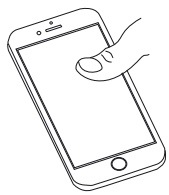
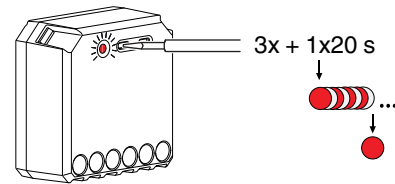
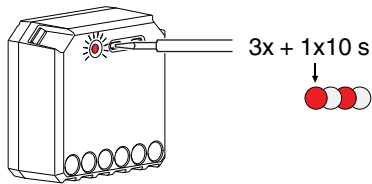
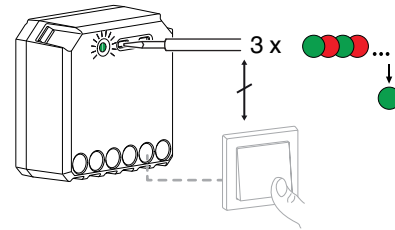
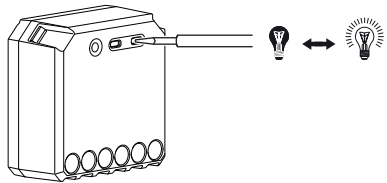
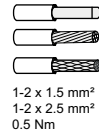
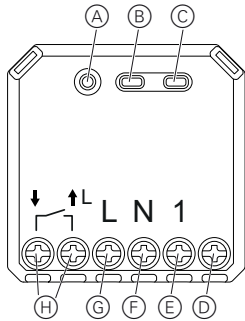
Connecting the module ⇒

WARNING
Danger due to electric shock.

The switch contact and outer conductor connection are separated from one another by a 240 V basic insulation.

- Always connect the switch contact and outer conductor connection to the same outer conductor.

Failure to observe these instructions can lead to death or serious injuries.



When protecting the load circuit and network circuit separately: Observe VDE 0100 part 460, section 462.3. Exception: A locking device will ensure separation of both circuits.

Setting the module



WARNING
Danger due to electric shock.

Observe the regulations for working on live parts. Only actuate the device buttons using insulated auxiliary equipment that meets the requirements of EN 60900.

Failure to observe these instructions can lead to death or serious injuries.

Testing the module

Before you couple the module or connect mechanical push-buttons, you can test the basic functions.

Coupling the module

Room control: Module <-> Wisser device

Set the Wisser devices to be coupled to coupling mode.

- On the module: Press the coupling button or the extension unit (where present) three times.
- Another Wisser device: -> Refer to the instructions for the device.

Coupling takes place automatically.

Room control: Module <-> smartphone

Select the function to add new devices in the Wisser app. Follow the instructions in the Wisser app.



Please note:

- You can couple a maximum of 15 smartphones with the module.
- Keep both devices within Bluetooth range of one another during coupling.
- Coupling mode is active for 30 s.

Home control: Module <-> smartphone

-> See product information

Resetting to default mode

All configuration data, user data and network data is deleted. After which:

- No coupling to other devices or rooms
- No pulse generator or timer settings

Resetting to Bluetooth

The device is reset to default mode and to Bluetooth.

Operating the module



Behaviour of the status LED



Technical data

Nominal voltage: AC 220-240 V, 50/60 Hz

Nominal power: \Rightarrow

Switching channels: 1, floating contact

Nominal current: 10 AX, $\cos \varphi = 0.6$

Standby: Max. 0.3 W

Neutral conductor: Required

Connecting terminals: Screw terminals for max. 2x2.5 mm²

Extension connection: Max. 10 mechanical push-buttons

Length of all cable sections: Max. 50 m for 3-wire NYM cable

Fuse protection: 16 A circuit breaker

Dimensions (HxWxD): Max. 43x43x22 mm

Frequency band: 2.4 GHz

Transmission capacity: Max. 2.5 mW



Dispose of the device separately from household waste at an official collection point. Professional recycling protects people and the environment against potential negative effects.

Trademarks

- Apple® and App Store® are brand names or registered trademarks of Apple Inc.
- Google Play™ Store and Android™ are brand names or registered trademarks of Google Inc.

Other brands and registered trademarks are the property of the relevant owners.

EU Declaration of conformity

Hereby, Schneider Electric Industries, declares that this product is in compliance with the essential requirements and other relevant provisions of RADIO EQUIPMENT DIRECTIVE 2014/53/EU. Declaration of conformity can be downloaded on: schneider-electric.com/docs.

Schneider Electric GmbH c/o Merten

Gothaer Straße 29, 40880 Ratingen

www.merten.com | www.merten-austria.at

Customer care centre: +49 2102 - 404 6000