

MEG5010-0001

merten

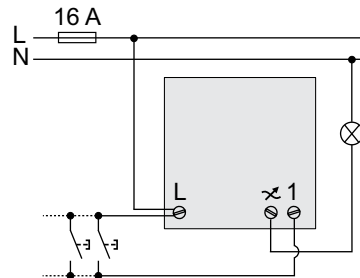
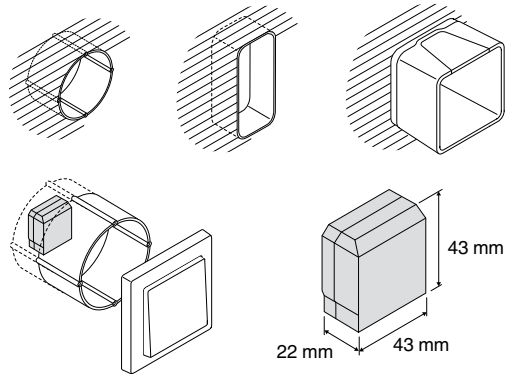
Wiser

Schneider Electric



	5-100 VA	
	5-20 VA	
	14-200 W	
	14-150 VA	

	14-150 W	
	14-200 VA	



en Wiser micro module dimmer

MEG5010-0001

Prerequisites and accessories

- A Bluetooth-capable **smartphone/tablet** with Bluetooth 4.1 or higher is required. Operating systems: Android™ 5.1 or higher, Apple® iOS 10.3 or higher.
- Download the **Wiser app** to your smartphone. You can use the app to couple, set up and control Wiser devices.
- For on-site operation: Supplement the Wiser micro module dimmer with a maximum of 10 mechanical push-buttons.
- Home control via the Internet: Supplement your Wiser system with the **Wiser Home Touch** control unit.

Product information is available

More detailed product information is available on the Internet -> see QR code. Contents:

- Overview of system
- Home control via the Internet with Wiser Home Touch
- Behaviour of the status LED



http://download.schneider-electric.com/files?p_Doc_Ref=MEG5010_0001_HW_add_EN

For your safety

DANGER HAZARD OF ELECTRIC SHOCK, EXPLOSION, OR ARC FLASH

Safe electrical installation must be carried out only by skilled professionals. Skilled professionals must prove profound knowledge in the following areas:

- Connecting to installation networks
- Connecting several electrical devices
- Laying electric cables
- Safety standards, local wiring rules and regulations

Failure to follow these instructions will result in death or serious injury.

DANGER Risk of fatal injury from electric shock.

The output may carry electrical current even when the load is switched off.

- When working on the device: Always disconnect the device from the supply by means of the fuse in the incoming circuit.

Failure to observe these instructions will lead to death or serious injuries.

Getting to know the module

The Wiser micro module dimmer (referred to below as the **module**) is used to switch and dim ohmic, inductive or capacitive loads. The module is actuated either from the Wiser app or from another Wiser device.

The module must not be used to control safety-relevant applications.

Control options

Room control: To actuate the module within a room, it can be coupled directly via Bluetooth either with your smartphone or with another Wiser device. This coupling type is a default factory presetting.

Home control: To control Wiser devices in a building via the Internet, you will need the Wiser Home Touch control unit.

On-site operation: The module can always be controlled directly on-site. To do this you can connect a maximum of 10 mechanical push-buttons.

Functions

- Automatic load detection
- Thermal protection, overload-resistant, short-circuit protection
- Soft start, soft stop

Special functions with the app:

- Adjusting min./max. brightness
- Setting the LED operating mode manually
- Setting the switch-on brightness or memory function
- Timer
- Time switch with Astro function (adjustable in the app under "Moments"). Without power reserve.

Connections and operating elements

- | | |
|--|----------------------------|
| (A) Test button | (D) Extension unit input 1 |
| (B) Set-up/reset button/ coupling button | (E) Dimmer output |
| (C) Status LED | (F) Outer conductor |

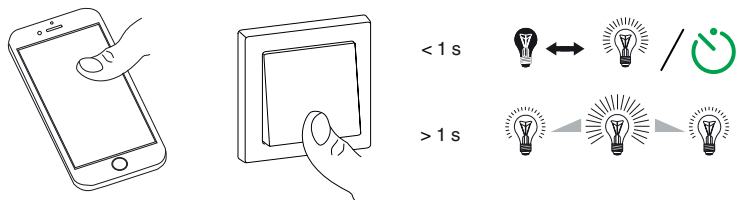
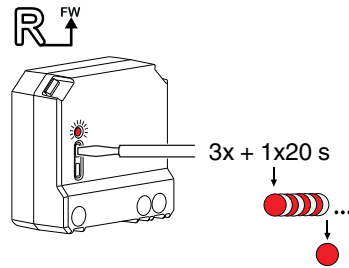
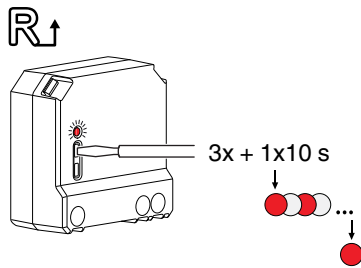
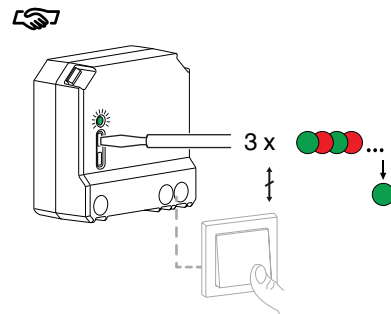
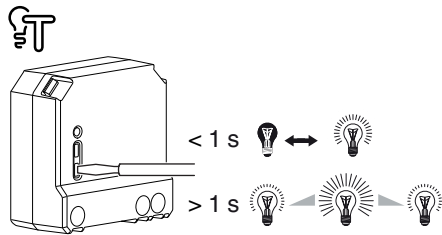
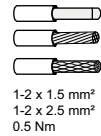
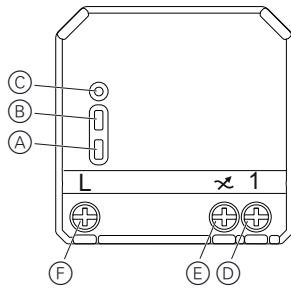
Mounting the module

DANGER Risk of fatal injury from electric shock.

Make sure that the terminal connection area must not come into contact with the metallic parts (e. g. spreader claw) of the device installed in front of it. Failure to observe these instructions will lead to death or serious injuries.

CAUTION The device may be damaged!

- Always operate the product in compliance with the specified technical data.
- Never connect any mixed inductive/capacitive loads.
- Only connect dimmable loads.
- Danger of overload! Dimming socket outlets is prohibited.



Choosing the installation location ⇒

If you place the module behind a mechanical push-button, use a deep installation box.

i Please note: In case of reduced thermal dissipation, you will need to reduce the load.

Load reduced by	When installed
0%	In a standard flush-installation mounting box
25%	In cavity walls* Several installed in combination*
30%	In a 1-gang or 2-gang surface-mounted housing
50%	In a 3-gang surface-mounted housing

* If more than one factor applies, add the load reductions together.

Connecting the module ⇒

Setting the module



WARNING Danger due to electric shock.

Observe the regulations for working on live parts. Only actuate the device buttons using insulated auxiliary equipment that meets the requirements of EN 60900.

Failure to observe these instructions can lead to death or serious injuries.

Testing the module ⇒

Before you couple the module or connect mechanical push-buttons, you can test the basic functions.

Coupling the module ⇒

Room control: Module ↔ Wiser device

Set the Wiser devices to be coupled to coupling mode.

- On the module: Press the coupling button or the extension unit (where present) three times.
- Another Wiser device: -> Refer to the instructions for the device.

Coupling takes place automatically.

Room control: Module ↔ smartphone

Select the function to add new devices in the Wiser app. Follow the instructions in the Wiser app.

- i** Please note:
- You can couple a maximum of 15 smartphones with the module.
 - Keep both devices within Bluetooth range of one another during coupling.
 - Coupling mode is active for 30 s.

Home control: Module ↔ smartphone

-> See product information

Resetting to default mode ⇒

All configuration data, user data and network data is deleted. After which:

- No coupling to other devices or rooms

- No timer settings
- Memory function is active
- Automatic load detection is active, RC mode is set
- No limitation to dimming range

Resetting to Bluetooth ⇒

The device is reset to default mode and to Bluetooth.

Operating the module



Behaviour of the status LED



Technical data

Nominal voltage: AC 220-240 V, 50/60 Hz

Nominal power: ..W

Dimming channels: 1

Standby: Max. 0.4 W

Neutral conductor: Not required

Connecting terminals: Screw terminals for max. 2x2.5 mm²

Extension units: Max. 10 mechanical push-buttons

Length of all cable sections: Max. 50 m for 3-wire NYM cable

Fuse protection: 16 A circuit breaker

Dimensions (HxWxD): Max. 43x43x22 mm

Frequency band: 2.4 GHz

Transmission capacity: max. 2.5 mW



Dispose of the device separately from household waste at an official collection point. Professional recycling protects people and the environment against potential negative effects.

Trademarks

- Apple® and App Store® are brand names or registered trademarks of Apple Inc.
- Google Play™ Store and Android™ are brand names or registered trademarks of Google Inc.

Other brands and registered trademarks are the property of the relevant owners.

EU Declaration of conformity

Hereby, Schneider Electric Industries, declares that this product is in compliance with the essential requirements and other relevant provisions of RADIO EQUIPMENT DIRECTIVE 2014/53/EU. Declaration of conformity can be downloaded on: schneider-electric.com/docs.

Schneider Electric GmbH c/o Merten

Gothaer Straße 29, 40880 Ratingen
www.merten.com | www.merten-austria.at

Customer care centre: +49 2102 - 404 6000