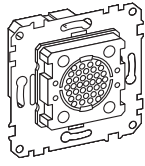


## Electronic signal insert for doorbell

User Guide



MEG4451-0000

### Necessary accessories

Complete the electronic signal insert with a frame and a central plate.

- Central plate for acoustic signal generators, System M (Art. no. MEG4450-0319)
- Central plate for acoustic signal generators, System M (Art. no. MEG4450-0419)

### For your safety

#### ⚠ ⚠ DANGER

#### HAZARD OF ELECTRIC SHOCK, EXPLOSION, OR ARC FLASH

Safe electrical installation must be carried out only by skilled professionals. Skilled professionals must prove profound knowledge in the following areas:

- Connecting to installation networks
- Connecting several electrical devices
- Laying electric cables
- Safety standards, local wiring rules and regulations

**Failure to follow these instructions will result in death or serious injury.**

#### Notice

#### HAZARD OF EQUIPMENT DAMAGE

- Ensure that the device is disconnected from its circuit during the insulation resistance test.

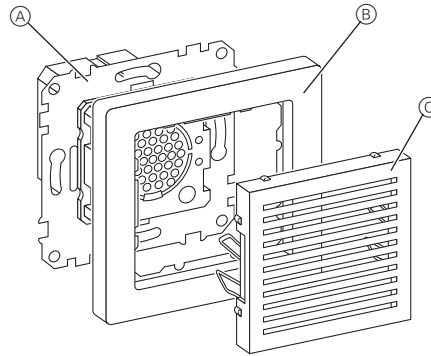
**Failure to follow these instructions can damage the device.**

### Insert introduction

The electronic signal insert (referred to as **insert** in the following) has three push-button inputs, to which you can assign different melodies. With a connected push-button, you can call up the melody of the relevant push-button input and select a new melody. Five different melodies are available to choose from.

Use the push-button with make contact to control the push-button inputs.

### Connections, displays and operating elements

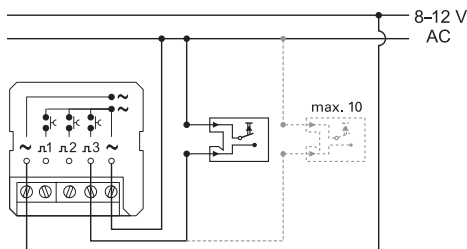


- (A) Electronic signal insert
- (B) Frame
- (C) Central plate for acoustic signal generators

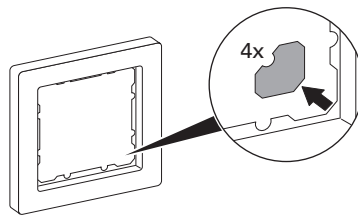
### Installing the insert

- 1 Connect the insert as follows:

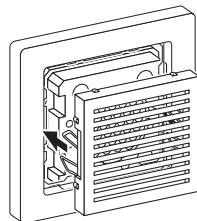
- Electronic signal insert with push-button (make contact), max. 10 per push-button input



- 2 Install the insert in an at least 40 mm deep flush-mounted socket and fasten it to the socket with two screws.
- 3 Break off the four corners in the frame, e.g. with a set of pliers. Remove any burrs with a file.



- 4 Put on the frame and fix it with the central plate.



### Programming the insert

Five different melodies are available per push-button input. Programming the melodies is performed as follows:

- 1 Press the push-button connected to the push-button input for 15 seconds.

The electronic signal insert switches to programming mode and plays the five melodies available, one after the other.

- 2 Briefly press the push-button to select the desired melody.

The electronic signal insert saves the melody that is currently being played.

Programming mode is exited if a melody is not selected within 3 minutes and the original melody remains active.

You can assign a different melody to each push-button input.

### Technical data

Nominal voltage:	8–12 V AC
Current consumption:	14 mA
Volume:	70 db / 1 m
Push-button inputs:	3
Programmable melodies per push-button input:	5
Max connections per push-button input:	10



Dispose of the device separately from household waste at an official collection point. Professional recycling protects people and the environment against potential negative effects.

### Merten GmbH

Fritz-Kotz-Str. 8  
51674 Wiehl - Germany  
se.com/contact

**Schneider**  
Electric