

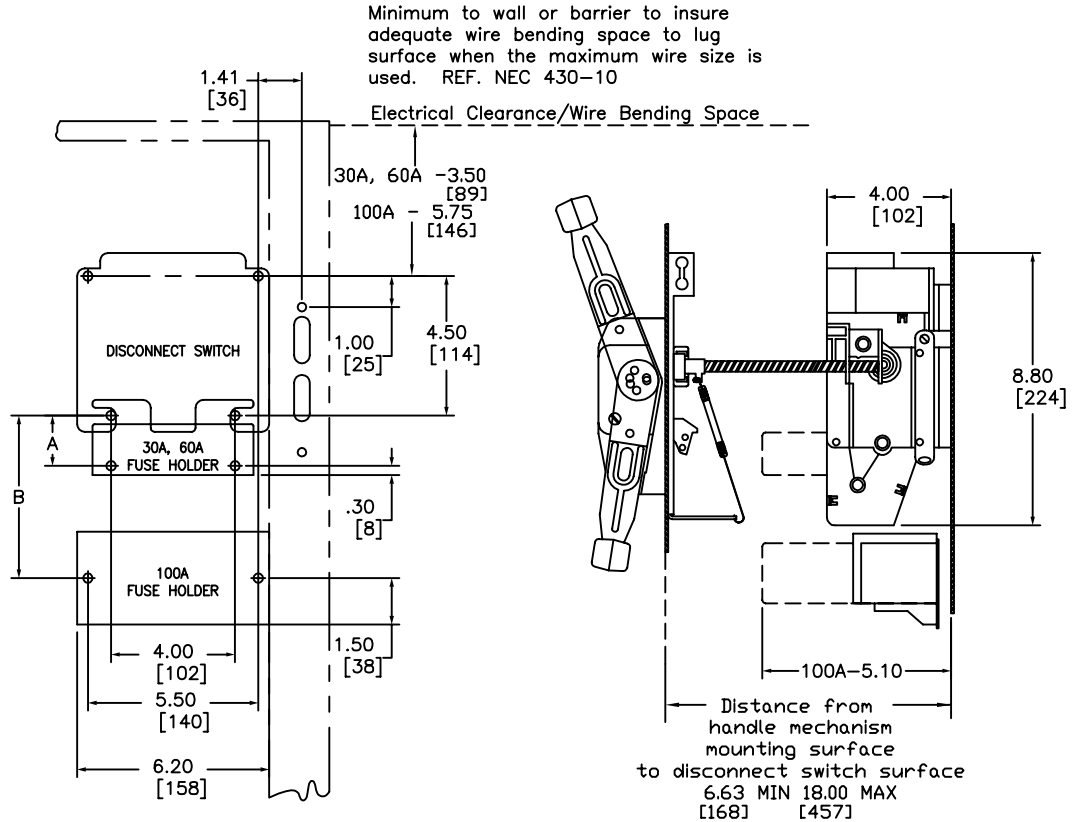
COMPATIBLE SWITCH AND FUSE TYPES

SWITCH TYPE	MAXIMUM VOLTAGE	FUSE TYPE CLASS	CLASS R FUSE KIT	DIMENSION	
				A	B
TCN30	-	UNFUSED	-	-	-
TCF30	30A, 250V	H, K, R	RFK03	1.625 [41]	-
TCF33	30A, 600V	H, K, R	RFK06	4.25 [108]	-
	30A, 600V	J	-	1.625 [41]	-
TDN60	60A, 250V	H, K, R	RFK06	2.25 [57]	-
	-	UNFUSED	-	-	-
TDF60	60A, 250V	H, K, R	RFK06	2.25 [57]	-
	30A, 600V	J	-	1.625 [41]	-
TDF63	30A, 600V	H, K, R	RFK06	4.25 [108]	-
	60A, 600V	H, K, R	RFK06H	4.75 [121]	-
TEF10	60A, 600V	J	-	1.625 [41]	-
	-	UNFUSED	-	-	-
TEN10	100A, 250V	H, K, R	RFK10	-	3.25 [83]
	100A, 600V	H, K, R	RFK10	-	5.25 [133]
	100A, 600V	J	-	-	3.25 [83]

ALL OF THESE DISCONNECT SWITCHES CAN BE RIGHT OR LEFT FLANGE MOUNTED.

Disconnect Switch Size	Wire Size
30A, 60A	#14-#2 Cu #10-#2 Al
100A	#10-#0 Cu #6-#0 Al

Catalog Number: 9422-TCF, TCN, TDF, TDN, TEF, TEN
 Ratings: SEE CHART
 UL File/CCN: E52639/WHTY2
 CSA File/Class: LR44199/4652 04
 Meets Standards: -
 Weight: 6.80 lbs
 Wire Size: SEE CHART
 Terminal torque: -
 Mounting Hwd: (6) #10 screws



THE SQUARE D COMPANY HAS PROPRIETARY RIGHTS TO THE INFORMATION CONTAINED HEREON. THIS INFORMATION REMAINS THE PROPERTY OF SQUARE D COMPANY AND MAY BE USED ONLY IN CONFORMANCE WITH INSTRUCTIONS ISSUED BY SQUARE D COMPANY. USER SHOULD VERIFY DRAWINGS ARE TO THE LATEST/CURRENT REVISION PRIOR TO INCORPORATING IN A DESIGN FILE.

DO NOT SCALE DRAWING
 UNLESS OTHERWISE SPECIFIED DIMENSIONS ARE IN INCHES

THIRD ANGLE PROJECTION

TOLERANCES
 UNLESS OTHERWISE SPECIFIED
 2 PLACE DECIMALS ± .01

FLANGE MOUNTED DISCONNECT SWITCH
 CLASS 9422
 TYPE TCF, TCN, TDF, TDN, TEF, TEN

SQUARE D COMPANY

DWG# 9422 _TC+TD+TE_OUTLINE_001
 NO.