

# New members in EasyPact TVS : 4 pole contactors

Simple solution for reliable switching



Four pole contactors from **16 to 125 A** , provide the performance reliability, and value you need for your standard applications:

- > Switching **resistive loads**
- > As contactors for **Diesel Generator** incomer
- > As incomer in a **source changeover systems** requiring neutral isolation
- > **Isolating** powers systems with unearthed or poorly earthed system
- > 2 pole, AC-1 application (using **2 poles in parrallel**)
- > Changing the **polarity** of hoisting gear motors



Contactors (LC1E...)		size 1				size 2			size 3		size 4	
Rated operational current AC-3	A	6	9	12	18	25	32	38	40	65	80	95
Rated operational current AC-1	A	16	20	25	32	40	45	50	60	80	100	125
Rated operational power in AC-3	220/230 V	1.1	2.2	3	4	5.5	7.5	9	11	18.5	22	25
	380/400 V	2.2	4	5.5	7.5	11	15	18.5	18.5	30	37	45
	415/440 V	2.2	4	5.5	9	11	15	18.5	22	37	45	45
	500 V	3	5.5	7.5	10	15	18.5	18.5	22	37	45	55
660/690 V	3	5.5	7.5	10	15	18.5	18.5	30	37	45	45	
Width	mm	45				56			84.5		95.5	
Coil rated operating voltage	24...415 V AC according to the coil voltage code (see below)											
Auxiliary built in contact	no built in contact											
References		LC1E06	LC1E09	LC1E12	LC1E18	LC1E25	LC1E32	LC1E38	LC1E40	LC1E65	LC1E80	LC1E95

## Key accessories for do-it-yourself solutions Dimensions and mounting

**Optimal number of accessories for building essential solutions simply and easily**

### > Control

➤ Auxiliary contact block (LAEN)

Number of contacts per block	Cat. no.
1 NO / 1 NC	LAEN11
2 NO	LAEN20
2 NC	LAEN02
2 NO / 2 NC	LAEN22

### > Mechanical interlocking

➤ Interlock (LAEM)

Mechanical interlock	Cat. no.
LC1E06...E12	LAEM1
LC1E18/E25	LAEM1
LC1E32/E38	LAEM1
LC1E40...E65	LAEM4
LC1E80/E95	LAEM4

### > Time delay

➤ Time delay auxiliary contact block (LAETSD)

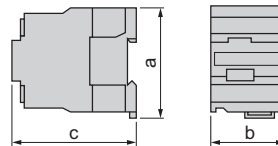
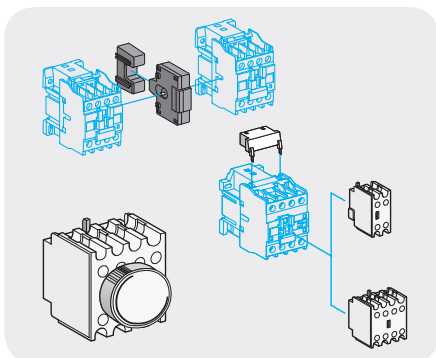
Number of contacts per block	Time delay Type	Setting range	Cat. no. (1)
1 NO / 1 NC	On-delay	1...30 s	LAETSD

(1) For use only LC1E25 to LC1E95.

### > RC surge suppressor

➤ Protection for circuits highly sensitive to high frequency interference (LAERC)

For use with contactor Rating	Type	Cat. no.
LC1E06...E95	24...48	LAERCE
	50...127	LAERCG
	110...240	LAERCU
	380...415	LAERCN



LC1	E06/18	E25/38	E40/65	E80/95
a (mm)	74	84	127	127
b (mm)	45	56	85	95
c (mm)	80	93	114	121

## Commercial reference numbering system

LC1E | 32 | 004 | M | 7

Frequency	Code
50/60 Hz	7

Coil voltage	Code
24 V	B
48 V	E
110 V	F
220 V	M
230 V	P
240 V	U
380 V	Q
400 V	V
415 V	N

Rated operation current (AC3)	Main contact	Code
EasyPact TVS 4-pole		
06...95	4 NO	004
06...95	2 NO + 2 NC	008

Rated operation current (AC3)	Code
EasyPact TVS 4-pole	
06...95	06...95

Type	Designation
Contactors	EasyPact TVS

### Schneider Electric Industries SAS

35, rue Joseph Monier  
CS 30323  
F - 92506 Rueil Malmaison Cedex

RCS Nanterre 954 503 439  
Capital social 896 313 776 €  
www.se.com

As standards, specifications and designs change from time to time, please ask for confirmation of the information given in this publication.

This document has been printed on ecological paper.

Design: Schneider Electric  
Photos: Schneider Electric  
Printed: