



# Ovalis C

Catalog 2023



[se.com](https://se.com)

Life Is On

**Schneider**  
Electric



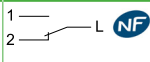
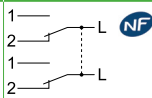
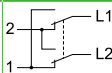
# Content

Inserts.....	5
Controls.....	5
Specialized Controls .....	7
Comfort Controls .....	8
VDI Sockets.....	11
USB Chargers .....	13
Complementary Offer.....	14
Other functions .....	15
Cover Frames .....	17
Accessories .....	19
Antibacterial Offer.....	21
Wiser.....	23
Comfort Controls .....	23
Technical Details.....	29
Dimensions.....	29
Connections.....	34
Index.....	41

# Ovalis C Inserts








### 10 AX - 250 V AC lightable switches

	Two-way	Double two-way	Intermediate
			

#### 10 AX two-way, screwless terminals, siliconproof (\*)





##### PRO

					
<input type="checkbox"/> white	<b>S320204</b> <b>S320204P<sup>(P)</sup></b>	<b>S321204</b>	<b>S320214</b> <b>S320214P<sup>(P)</sup></b>	<b>S321214</b>	<b>S320205</b>
<input checked="" type="checkbox"/> anthracite	<b>S340204</b>		<b>S340214</b>		<b>S340205</b>

<sup>(P)</sup> Profession retail packaging 108 ps.

S321xxx: Available in flow-pack packaging, with cover frame and claws.

##### DIY

				
<input type="checkbox"/> white	<b>S325204</b>	<b>S325204D</b>	<b>S325214</b>	<b>S325214D</b>
<input checked="" type="checkbox"/> anthracite	<b>S345204</b>	<b>S345204D</b>	<b>S345214</b>	<b>S345214D</b>

#### Characteristics

- Cables: 1.5 to 2.5 mm<sup>2</sup> rigid/flexible/stranded cables
- Ambient air temperature for operation 5 to 35 °C
- Directive: 2006/95/EC
- Standard: EN 60669-1
- Degrees of protection: IP21 D/IK04

S3x5xxx: Available in DIY packaging and with cover frame.


S3x5xxxD: Available in DIY packaging and without cover frame.

### 10 AX - 250 V AC switches with indicator lamp



	Two-way
	

#### 10 AX two-way, screwless terminals

##### PRO

	
<input type="checkbox"/> white	<b>S320263</b>
<input checked="" type="checkbox"/> anthracite	<b>S340263</b>

##### DIY

		
<input type="checkbox"/> white	<b>S325263</b>	<b>S325263D</b>
<input checked="" type="checkbox"/> anthracite	<b>S345263</b>	<b>S345263D</b>

#### Characteristics

- Cables: 1.5 to 2.5 mm<sup>2</sup> rigid/flexible/stranded cables
- Ambient air temperature for operation 5 to 35 °C
- Directive: 2006/95/EC
- Standard: EN 60669-1
- Degrees of protection: IP21 D/IK04

S3x5xxx: Available in DIY packaging and with cover frame.

S3x5xxxD: Available in DIY packaging and without cover frame.

# Inserts

## Controls

### 10 AX - 250 V AC lightable push buttons

One-way	with label support	Double one-way

#### 10 AX, screwless terminals PRO

☐ white	<b>S320206</b>	<b>S321206</b>	<b>S320266</b>	<b>S321266</b>	<b>S320216</b>
■ anthracite	<b>S340206</b>		<b>S340266</b>		<b>S340216</b>

S321xxx: Available in flow-pack packaging, with cover frame and claws.

#### DIY

☐ white	<b>S325206</b>	<b>S325206D</b>	<b>S325266</b>	<b>S325266D</b>	
■ anthracite	<b>S345206</b>	<b>S345206D</b>	<b>S345266</b>	<b>S345266D</b>	

#### Characteristics

- Cables: 1.5 to 2.5 mm<sup>2</sup> rigid/flexible/stranded cables
- Ambient air temperature for operation 5 to 35 °C
- Directive: 2006/95/EC
- Standard: EN 60669-1
- Degrees of protection: IP21 D/IK04

S3x5xxx: Available in DIY packaging and with cover frame.

S3x5xxxD: Available in DIY packaging and without cover frame.

### 10 AX - 250 V AC push buttons with indicator lamp

One-way	with VMC symbol

#### 10 AX, screwless terminals PRO

☐ white	<b>S320276</b>	<b>S321276</b>	<b>S320236</b>
■ anthracite	<b>S340276</b>		<b>S340236</b>

#### DIY

☐ white		<b>S325236D</b>
■ anthracite		<b>S345236D</b>

#### Characteristics

- Cables: 1.5 to 2.5 mm<sup>2</sup> rigid/flexible/stranded cables
- Ambient air temperature for operation 5 to 35 °C
- Directive: 2006/95/EC
- Standard: EN 60669-1
- Degrees of protection: IP21 D/IK04

S321xxx: Available in flow-pack packaging, with cover frame and claws.

### 10 AX - 250 V AC lightable switches + push buttons

Two-way

#### 10 AX two-way switch + push-button (NO/NC), screwless terminals PRO

☐ white	<b>S320285</b>
■ anthracite	<b>S340285</b>

#### Characteristics

- Cables: 1.5 to 2.5 mm<sup>2</sup> rigid/flexible/stranded cables
- Ambient air temperature for operation 5 to 35 °C
- Directive: 2006/95/EC
- Standard: EN 60669-1
- Degrees of protection: IP21 D/IK04

# Inserts

## Specialized Controls

### Mechanisms for roller blinds



**6 AX, switch, 2 rockers/2 positions, screwless terminals**

**PRO**



<input type="checkbox"/> white	<b>S320208</b>
<input checked="" type="checkbox"/> anthracite	<b>S340208</b>

**DIY**



<input type="checkbox"/> white	<b>S325208</b>	<b>S325208D</b>
<input checked="" type="checkbox"/> anthracite	<b>S345208</b>	<b>S345208D</b>

**Characteristics**

- Cables: 1.5 to 2.5 mm<sup>2</sup> rigid/flexible/stranded cables
- Ambient air temperature for operation 5 to 35 °C
- Directive: 2006/95/EC
- Standard: EN 60669-1
- Degrees of protection: IP21 D/IK04
- For roller blind motors control with end-course protection
- More intuitive and ergonomic rockers with STOP central button.

S3x5xxx: Available in DIY packaging and with cover frame.

S3x5xxxD: Available in DIY packaging and without cover frame.

### Rotary electronic LED dimmer switches



#### LED Multiwire rotary dimmer for LED lamps and capacitive load

##### PRO + DIY



<input type="checkbox"/> white	<b>S320519</b>
<input checked="" type="checkbox"/> anthracite	<b>S340519</b>

##### DIY



<input type="checkbox"/> white	<b>S325519</b>
<input checked="" type="checkbox"/> anthracite	<b>S345519</b>

#### Maximum loads

LED dimmable lamp		0-200 W (with neutral wire) 1.3 A max. 3-200 W (without neutral wire) 1.3 A max.
Incandescent lamp 230 V		
Halogen lamp 230 V		0-370 W with neutral wire 3-370 W without neutral wire
LV halogen lamps Electronic transformer		

#### Functions

- With the dimmer you can switch and dim LEDs, ohmic or capacitive loads.
- The dimmer can be installed without neutral wire. It is recommended to connect the neutral wire to improve dimming behaviour (optional).
- Dimmer with integrated changeover contact. Can be installed in existing changeover circuits.
- Extreme low load handling.
- Extreme low minimum brightness (adjustable).
- Installation in flush-mounted box. Suitable for installation in a size 60 installation box.
- With screw terminals.
- With claws and screw fixing.
- Thermal protection, overload-resistant, short-circuit protection.

#### Characteristics

- Cables: 1.5 to 2.5 mm<sup>2</sup> rigid/flexible/stranded cables
- Operating voltage: 230 V AC 50/60 Hz
- Ambient air temperature for operation: 5 to 35 °C
- Standards: EN 60669-2-1  
EN 60669-2-1  
2004/108/EC  
2006/95/EEC
- Degrees of protection: IP20 D/IK02



#### Presense and movement detectors



10 A

PRO + DIY



white **S320523**

anthracite **S340523**

DIY



white **S325523**

anthracite **S345523**

#### Maximum loads

LED lamp		200 W
incandescent lamp 230 V		2200 W
halogen lamp 230 V		2000W
LV halogen lamps	electronic transformer	1050 VA
	ferromagnetic transformer	500 VA
Capacitive load		10 A, 140 µF
Compact fluorescent lamps	ferromagnetic ballast	200 VA
Motor (single-phase) 230 V		1000 VA

#### Characteristics

- Detection horizontal 160°
- Cables: 1.5 to 2.5 mm<sup>2</sup> rigid/stranded cables
- Operating voltage: 230 V AC 50 Hz
- Ambient air temperature for operation: 5 to 40 °C
- Standards: EN 300-328  
EN 301-489-17  
EN 60730-2-7  
EN 60669-2-1
- Directives: 2014/30/EU - electromagnetic compatibility  
2014/35/EU - low voltage directive
- Degrees of protection: 2014/30/EU - electromagnetic compatibility  
2014/35/EU - low voltage directive

# Inserts

## Socket Outlets

### French socket outlets



#### 16 A 2P + E, flush pin earth, screwless

##### PRO

<input type="checkbox"/> white	<b>S320052</b> <b>S320052P</b> <sup>(P)</sup>	<b>S321052</b>
<input checked="" type="checkbox"/> anthracite	<b>S340052</b>	

<sup>(P)</sup> Profession retail packaging 108 ps.

S321xxx: Available in flow-pack packaging, with cover frame and claws.

##### DIY

<input type="checkbox"/> white	<b>S325052</b>	<b>S325052D</b>
<input checked="" type="checkbox"/> anthracite	<b>S345052</b>	<b>S345052D</b>

#### 16 A 2P + E, standard pin earth, screwless

##### PRO

<input type="checkbox"/> white	<b>S320059</b> <b>S320059P</b> <sup>(P)</sup>	
<input checked="" type="checkbox"/> anthracite	<b>S340059</b>	

<sup>(P)</sup> Profession retail packaging 108 ps.

##### DIY

<input type="checkbox"/> white	<b>S325059</b>	<b>S325059D</b>
<input checked="" type="checkbox"/> anthracite	<b>S345059</b>	<b>S345059D</b>

#### Double 16 A 2P + E, shuttered, screw terminals, semi flush vertical with Styl outer plate

##### DIY

<input type="checkbox"/> white	<b>S261089</b>	

##### Characteristics

- Operating voltage: 250 V AC 50 Hz
- Ambient air temperature for operation -5 to 35 °C
- Standard: NF C 61-314
- Degrees of protection: IP21 D/IK04

S3x5xxx: Available in DIY packaging and with cover frame.

S3x5xxxD: Available in DIY packaging and without cover frame.



#### 16 A 2P + E, flush pin earth, screwless, with claws

##### PRO + DIY

<input type="checkbox"/> white	<b>S320052C</b>	
<input checked="" type="checkbox"/> anthracite	<b>S340052C</b>	

##### DIY

<input type="checkbox"/> white	<b>S325052CD</b>	
<input checked="" type="checkbox"/> anthracite	<b>S345052CD</b>	

##### Characteristics

- Operating voltage: 250 V AC 50 Hz
- Ambient air temperature for operation 5 to 35 °C
- Standard: NF C 61-314
- Degrees of protection: IP21 D/IK04



#### 16 A 2P + E, shuttered

##### PRO

<input type="checkbox"/> white	<b>S320033</b>	<b>S321033</b>
<input checked="" type="checkbox"/> anthracite	<b>S340033</b>	

S321xxx: Available in flow-pack packaging, with cover frame and claws.

##### DIY

<input type="checkbox"/> white	<b>S325033</b>	<b>S325033D</b>
<input checked="" type="checkbox"/> anthracite	<b>S345033</b>	<b>S345033D</b>






##### Characteristics

- Ambient air temperature for operation: 5 to 45 °C
- Standard: EN 50083-4
- Degrees of protection: IP21 D/IK04

S3x5xxx: Available in DIY packaging and with cover frame.

S3x5xxxD: Available in DIY packaging and without cover frame.



### RJ 45 infraplus data sockets

Cat. 6 shielded		
		
<b>PRO</b>		
		
<input type="checkbox"/> white	<b>S320476</b> <sup>(1)</sup> <b>S320476P</b> <sup>(P)</sup>	
<input checked="" type="checkbox"/> anthracite	<b>S340476</b> <sup>(1)</sup>	
	Standards: EN 50173-1 ANSI/TIA/EIA-568-B-2 TIA/EIA-568 IEC 60603-7 ANSI/TIA/EIA-568-B-2-1 IEC 60603-7-5 ISO/IEC 11801	
<sup>(P)</sup> Profession retail packaging 108 ps.		
<b>DIY</b>		
		
<input type="checkbox"/> white	<b>S325476</b>	<b>S325476D</b>
<input checked="" type="checkbox"/> anthracite	<b>S345476</b>	<b>S345476D</b>
	Standards: EN 50173-1 IEC 60603-7 IEC 60603-7-5 ANSI/TIA/EIA-568-B-2-1 ISO/IEC 11801 TIA/EIA-568	
Cat. 6 <sub>A</sub> shielded		
<b>PRO</b>		
		
<input type="checkbox"/> white	<b>S320477</b> <sup>(2)</sup>	
<input checked="" type="checkbox"/> anthracite	<b>S340477</b> <sup>(2)</sup>	
	Standards: IEC 60603-7-5 ANSI/TIA/EIA-568-B-2-1 TIA/EIA-568 EN 50173-1 ISO/IEC 11801 IEC 60603-7 ANSI/TIA/EIA-568-B-2	
<b>Characteristics</b>		
<ul style="list-style-type: none"> <li>• Type of cable: shielded twisted pair</li> <li>• Product compatibility: infraplus, Actassi s-one</li> <li>• Connections terminals: IDC</li> <li>• Number of loop terminals: 1</li> <li>• Ambient air temperature for operation: 5 to 35 °C</li> <li>• Degree of protection: IP21/IK04</li> </ul>		
Actassi S-one RJ45 connectors reference numbers included into Ovalis infraplus data sockets: <sup>(1)</sup> VDIB17726B, <sup>(2)</sup> VDIB1772XB.		
Plugs complaint with IEC 60603-7 series (RJ-45).		
S3x5xxx: Available in DIY packaging and with cover frame. S3x5xxxD: Available in DIY packaging and without cover frame.		



# Inserts

## VDI Sockets






### TV/SAT/R sockets

TV/SAT/R socket, individual	
	
<b>PRO</b>	
	
<input type="checkbox"/> white	<b>S320461</b>
<input checked="" type="checkbox"/> anthracite	<b>S340461</b>
<b>Characteristics</b>	
<ul style="list-style-type: none"> <li>• Ambient air temperature for operation: 5 to 45 °C</li> <li>• Standard: EN 50083-4</li> <li>• Degrees of protection: IP21 D/IK04</li> </ul>	




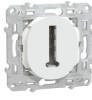
### TV/R sockets

TV/R socket, individual	
	
<b>PRO</b>	
	
<input type="checkbox"/> white	<b>S320451</b>
<input checked="" type="checkbox"/> anthracite	<b>S340451</b>
<b>Characteristics</b>	
<ul style="list-style-type: none"> <li>• Ambient air temperature for operation: 5 to 45 °C</li> <li>• Standard: EN 50083-4</li> <li>• Degrees of protection: IP21 D/IK04</li> </ul>	

### TV Sockets

		
<b>PRO</b>		
 		
<input type="checkbox"/> white	<b>S320405</b>	<b>S321405</b>
<input checked="" type="checkbox"/> anthracite	<b>S340405</b>	
S321xxx: Available in flow-pack packaging, with cover frame and claws.		
<b>DIY</b>		
 		
<input type="checkbox"/> white	<b>S325405</b>	<b>S325405D</b>
<input checked="" type="checkbox"/> anthracite	<b>S345405</b>	<b>S345405D</b>
<b>Characteristics</b>		
<ul style="list-style-type: none"> <li>• Ambient air temperature for operation: -5 to 35 °C</li> <li>• Standard: EN 50377-4-1</li> <li>• Degrees of protection: IP20/IK04</li> </ul>		
S3x5xxx: Available in DIY packaging and with cover frame.		
S3x5xxxD: Available in DIY packaging and without cover frame.		

### T-Phone Sockets

		
<b>PRO</b>		
		
<input type="checkbox"/> white	<b>S320496</b>	
<input checked="" type="checkbox"/> anthracite	<b>S340496</b>	
S3x0496: Available in PRO packaging, with cover frame and claws.		
<b>DIY</b>		
 		
<input type="checkbox"/> white	<b>S325496</b>	<b>S325496D</b>
<input checked="" type="checkbox"/> anthracite	<b>S345496</b>	<b>S345496D</b>
<b>Characteristics</b>		
<ul style="list-style-type: none"> <li>• Ambient air temperature for operation: -5 to 35 °C</li> <li>• Degrees of protection: IP20/IK04</li> </ul>		
S3x5xxx: Available in DIY packaging and with cover frame.		
S3x5xxxD: Available in DIY packaging and without cover frame.		

### USB chargers

#### Double USB



##### PRO



<input type="checkbox"/> white	<b>S320407</b>
<input checked="" type="checkbox"/> anthracite	<b>S340407</b>

- Consumption without load: < 0.1 W
- Input power 12 W

##### Characteristics

- Cables: 1.5 to 2.5 mm<sup>2</sup> rigid/flexible/stranded cables
- Ambient air temperature for operation: -5 to 40 °C
- Standards: EN 60335-1  
EN 61558-1  
EN 60950-1
- Directive: 2009/125/EC - ecodesign  
2006/95/EC - low voltage directive  
2004/108/EC - electromagnetic compatibility
- Degrees of protection: IP20/IK04

#### USB Type C



##### PRO



<input type="checkbox"/> white	<b>S320406</b>
<input checked="" type="checkbox"/> anthracite	<b>S340406</b>

- Consumption without load: < 0.1 W
- Input power 65 W

##### DIY



<input type="checkbox"/> white	<b>S325406</b>	<b>S325406D</b>
<input checked="" type="checkbox"/> anthracite	<b>S345406</b>	<b>S345406D</b>

##### Characteristics

- Cables: 1.5 to 2.5 mm<sup>2</sup> rigid/flexible/stranded cables
- Ambient air temperature for operation: -5 to 40 °C
- Standards: EN 60335-1  
EN 61558-1  
EN 60950-1
- Directive: 2009/125/EC - ecodesign  
2006/95/EC - low voltage directive  
2004/108/EC - electromagnetic compatibility
- Degrees of protection: IP20/IK04

S3x5xxx: Available in DIY packaging and with cover frame.  
S3x5xxxD: Available in DIY packaging and without cover frame.

#### Double USB (A + C)



##### PRO



<input type="checkbox"/> white	<b>S320401</b>
<input checked="" type="checkbox"/> anthracite	<b>S340401</b>

- Consumption without load: < 0.075 W
- Input power 12 W

##### DIY



<input type="checkbox"/> white	<b>S325401</b>	<b>S325401D</b>
<input checked="" type="checkbox"/> anthracite	<b>S345401</b>	<b>S345401D</b>

##### PRO



<input type="checkbox"/> white	<b>S320403</b>
<input checked="" type="checkbox"/> anthracite	<b>S340403</b>

- Consumption without load: < 0.1 W
- Input power 45 W

##### DIY



<input type="checkbox"/> white	<b>S325403</b>	<b>S325403D</b>
<input checked="" type="checkbox"/> anthracite	<b>S345403</b>	<b>S345403D</b>

##### Characteristics

- Cables: 1.5 to 2.5 mm<sup>2</sup> rigid/flexible/stranded cables
- Ambient air temperature for operation: -5 to 40 °C
- Standards: EN 60335-1, EN 61558-1, EN 60950-1
- Directive: 2009/125/EC - ecodesign  
2006/95/EC - low voltage directive  
2004/108/EC - electromagnetic compatibility
- Degrees of protection: IP20/IK04

S3x5xxx: Available in DIY packaging and with cover frame.  
S3x5xxxD: Available in DIY packaging and without cover frame.

### USB charger + Socket outlet



#### 16 A 2P + E + USB C, combo flush pin earth, screwless

##### PRO + DIY



<input type="checkbox"/> white	<b>S320089</b>
<input checked="" type="checkbox"/> anthracite	<b>S340089</b>

##### Characteristics

- Operating voltage: 250 V AC 50 Hz
- Ambient air temperature for operation 5 to 35 °C
- Standard: NF C 61-314
- Degrees of protection: IP21 D/IK04

# Inserts

## Complementary Offer

### Cable outlets

#### 16 A



#### PRO



<input type="checkbox"/> white	<b>S320662</b>	<b>S321662</b>
<input checked="" type="checkbox"/> anthracite	<b>S340662</b>	

S321xxx: Available in flow-pack packaging, with cover frame and claws.

#### DIY



<input type="checkbox"/> white	<b>S325662</b>	<b>S325662D</b>
<input checked="" type="checkbox"/> anthracite	<b>S345662</b>	<b>S345662D</b>

#### Characteristics

- Number of loop terminals: 2
- Cables: 1.5 to 2.5 mm<sup>2</sup> rigid/flexible/stranded cables
- Ambient air temperature for operation: 5 to 35 °C
- Standards: EN 60669-1
- Directive: UTE C 61-392
- Degrees of protection: IP2xC/IK04

For electrical supply of electrical panels

S3x5xxx: Available in DIY packaging and with cover frame.  
S3x5xxxD: Available in DIY packaging and without cover frame.

### Universal cable outlets

#### 16/20 A for Ø 6-12 mm wires, IP44



#### PRO



<input type="checkbox"/> white	<b>S320644</b>
<input checked="" type="checkbox"/> anthracite	<b>S340644</b>

#### Characteristics

- Number of loop terminals: 2
- Cables: 1.5 to 2.5 mm<sup>2</sup> rigid/flexible/stranded cables
- Ambient air temperature for operation: 5 to 35 °C
- Standards: EN 60669-1
- Directive: UTE C 61-392
- Degrees of protection: IP44/IK04

For electrical supply of electrical panels

### Loudspeaker sockets



#### Double loudspeaker sockets

#### PRO



<input type="checkbox"/> white	<b>S320488</b>
<input checked="" type="checkbox"/> anthracite	<b>S340488</b>

#### Characteristics

- Cables: 4 x 1.5 to 4 x 2.5 mm<sup>2</sup> rigid/flexible/stranded cables
- 2 screw terminals
- Ambient air temperature for operation: 5 to 35 °C
- Degrees of protection: IK04

# Inserts

## Other functions

### Blind covers



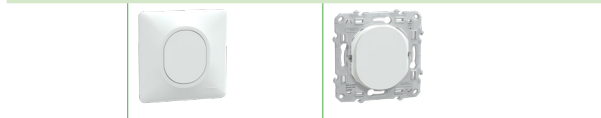
#### PRO



<input type="checkbox"/> white	<b>S320666</b>	<b>S321666</b>
<input checked="" type="checkbox"/> anthracite	<b>S340666</b>	

S321xxx: Available in flow-pack packaging, with cover frame and claws.

#### DIY



<input type="checkbox"/> white	<b>S325666</b>	<b>S325666D</b>
<input checked="" type="checkbox"/> anthracite	<b>S345666</b>	<b>S345666D</b>

#### Characteristics

- Ambient air temperature for operation 5 to 35 °C
- Standard: EN 60669-1
- Directive: 2006/95/EEC
- Degrees of protection: IP21 D/IK04

S3x5xxx: Available in DIY packaging and with cover frame.

S3x5xxxD: Available in DIY packaging and without cover frame.

### Surface mounted box



#### PRO + DIY



<input type="checkbox"/> white	<b>S320762</b>
<input checked="" type="checkbox"/> anthracite	<b>S340762</b>

#### DIY



<input type="checkbox"/> white	<b>S325762</b>
<input checked="" type="checkbox"/> anthracite	<b>S345762</b>

#### Characteristics

- Standard: EN 60669-1
- Directive: 2006/95/EEC
- Degrees of protection: IP21 D/IK04

# Ovalis C Cover Frames

















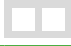






# Ovalis C Series

## Cover Frames

### Cover Frames

Basic Frames		White	anthracite	Sauge	Forest Green	Azurin blue
						
1 gang		S320702 S320702P <sup>(P)</sup>	S340702	S320702A	S320702B	S320702C
2 gangs		S320704 S320704P <sup>(P)</sup>	S340704	S320704A	S320704B	S320704C
2 gangs (Vertical 71mm)		S320724	S340724	S320724A	S320724B	S320724C
3 gangs		S320706	S340706	S320706A	S320706B	S320706C
3 gangs (Vertical 71mm)		S320726	S340726			
4 gangs		S320708	S340708			
Frames with Decorative Ring		White/Brass	White/Liquid Silver	Anthracite/Brass	Anthracite/Liquid Silver	
						
1 gang		S320702D	S320702F	S340702E	S340702G	
2 gangs		S320704D	S320704F	S340704E	S340704G	
2 gangs (Vertical)		S320724D	S320724F	S340724E	S340724G	
3 gangs		S320706D	S320706F	S340706E	S340706G	

#### Characteristics

- Ambient air temperature for operation: 5 to 45 °C
- Standards: EN 60669-1  
NF C 61-314
- Directive: UNE 20315-1-1  
2006/95/EEC
- Degrees of protection: IP21D/IK04

<sup>(P)</sup> Profession retail packaging 100 ps.

Note: All frames are suitable for Pro and DIY range of products.









# Ovalis C Accessories



# Ovalis C Series Accessories

## Spare parts



								
<b>LED Indicator</b>				<b>Springs</b>	<b>Claws</b>	<b>Claws extensions</b>	<b>labeling stickers for sockets</b>	
<b>S520291</b>	<b>S520292</b>	<b>S520290</b>	<b>S520293</b>	<b>S520299</b>	<b>S520690</b>	<b>S520691</b>	<b>S520006</b>	
<b>Characteristics</b>								
<ul style="list-style-type: none"> <li>voltage: 250 V</li> <li>blue color</li> <li>low consumption: 0.15 mA</li> <li>common with the Odace range</li> </ul>	<ul style="list-style-type: none"> <li>location</li> <li>connection by clipping</li> </ul>	<ul style="list-style-type: none"> <li>visible in daylight and at night through a standard white hubcap.</li> <li>If the cover is not visible in daylight behind an aluminum cover, then install a specific cover elow</li> </ul>	<ul style="list-style-type: none"> <li>voltage: 250 V</li> <li>location or witness</li> <li>color : orange</li> <li>power onsumption: 1.5 mA</li> <li>connection by cable</li> </ul>	<ul style="list-style-type: none"> <li>Voltage: 12-48 V for a doorbell with transformer</li> <li>location</li> <li>color : blue</li> <li>power consumption: 5 mA</li> <li>clip-on connection</li> </ul>	<ul style="list-style-type: none"> <li>allows to transform a simple ignition or a two-way switch into a push button.</li> <li>delivered with a tool for an easy installation</li> <li>common with Ovalis and Unica ranges bag of 10</li> </ul>	<ul style="list-style-type: none"> <li>pack of 10 claws and associated</li> </ul>	<ul style="list-style-type: none"> <li>for a deeper anchor pack of 10</li> </ul>	<ul style="list-style-type: none"> <li>set of 10 stickers</li> </ul>

# Ovalis C

## Antibacterial offer



# Ovalis C Series

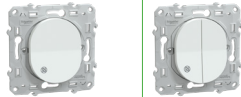
## Antibacterial Offer

### 10 AX - 250 V AC lightable switches



10 AX two-way, screwless terminals, siliconproof (\*)

PRO



white antibacterial    **S300204**    **S300214**

#### Characteristics

- Cables: 1.5 to 2.5 mm<sup>2</sup> rigid/flexible/stranded cables
- Ambient air temperature for operation 5 to 35 °C
- Directive: 2006/95/EC
- Standard: EN 60669-1
- Degrees of protection: IP21 D/IK04

### Mechanisms for roller blinds



6 AX, switch, 2 rockers/2 positions, screwless terminals

PRO



white antibacterial    **S300208**

#### Characteristics

- Cables: 1.5 to 2.5 mm<sup>2</sup> rigid/flexible/stranded cables
- Ambient air temperature for operation 5 to 35 °C
- Directive: 2006/95/EC
- Standard: EN 60669-1
- Degrees of protection: IP21 D/IK04
- For roller blind motors control with end-course protection
- More intuitive and ergonomic rockers with STOP central button.

### Outer plates

	1 G	2 G Horizontal (71 mm)	3 G Horizontal (71 mm)
--	-----	------------------------------	------------------------------



PRO



white antibacterial    **S300702**    **S300704**    **S300706**

#### Characteristics

- Ambient air temperature for operation: 5 to 45 °C
- Standards: EN 60669-1  
NF C 61-314
- Directive: UNE 20315-1-1  
2006/95/EEC
- Degrees of protection: IP21D/IK04

### French socket outlets



16 A 2P + E, flush pin earth, screwless

PRO



white antibacterial    **S300052**

16 A 2P + E, standard pin earth, screwless

PRO



white antibacterial    **S300059**

#### Characteristics

- Operating voltage: 250 V AC 50 Hz
- Ambient air temperature for operation 5 to 35 °C
- Standard: NF C 61-314
- Degrees of protection: IP21 D/IK04

### TV sockets



PRO



white antibacterial    **S300405**

#### Characteristics

- Ambient air temperature for operation: -5 to 35 °C
- Standard: EN 50377-4-1
- Degrees of protection: IP20/IK04

### RJ 45 infraplus data sockets



PRO



white antibacterial    **S300476**

#### Characteristics

- Type of cable: twisted pair
- Product compatibility: infraplus, Actassi s-one
- Connections terminals: IDC
- Number of loop terminals: 1
- Ambient air temperature for operation: 5 to 35 °C
- Degree of protection: IP21/IK04

# Ovalis C Wiser





## Connected Relay Switch 10 A

		Two-way	
<b>10 A</b>			
<b>PRO</b>			
<input type="checkbox"/> white		<b>S320530W</b>	
<input checked="" type="checkbox"/> anthracite		<b>S340530W</b>	
<b>Maximum loads</b>			
LED lamp 230 V			200 W
Incandescent lamp 230 V			2200 W
Halogen lamp 230 V			2000 W
LV halogen lamps	electronic transformer		1050 VA
	ferromagnetic transformer		500 VA
Capacitive load			10 A, 140 µF
Compact fluorescent lamps	ferromagnetic ballast		200 W
Motor (single-phase) 230 V			1000 VA
<b>Control options</b>			
<ul style="list-style-type: none"> <li>• <b>Room control:</b> Operation of the devices in a room. The device can be controlled either with your smartphone or with another Wiser device.</li> <li>• <b>Home control:</b> Operation of the devices throughout the house. This requires the Wiser Home</li> <li>• Touch. You can control the Wiser devices with the Wiser Home Touch or the Wiser app – inside your house or externally via cloud access.</li> </ul>			
<b>Installation</b>			
<ul style="list-style-type: none"> <li>• Installation in flush-mounted box</li> <li>• Suitable for installation in a size 60 installation box.</li> <li>• With screw terminals</li> <li>• Without claws, for screw fixing.</li> </ul>			
<b>Functions and settings</b>			
The Wiser relay switch 10 A switches ohmic, inductive or capacitive loads.			
<b>Functions:</b>			
<ul style="list-style-type: none"> <li>• Operation with extension unit (mechanical push-button)</li> </ul>			
<b>Settings:</b>			
<ul style="list-style-type: none"> <li>• Resetting to default settings/Bluetooth</li> </ul>			
<b>Additional app functions (default setting: no functions active):</b>			
<ul style="list-style-type: none"> <li>• Timer mode (1 s – 24 h)</li> <li>• Time switch (weekday switching, astro and random function)</li> <li>• Status LED display (e.g. load on, orientation light)</li> <li>• Coupling to other Wiser devices</li> </ul>			
<b>Characteristics</b>			
<ul style="list-style-type: none"> <li>• Nominal voltage: 230 V AC, 50 Hz</li> <li>• Nominal current: 10 A, <math>\cos \phi = 0.6</math></li> <li>• Standby: max 0.4 W</li> <li>• Outputs: 1 x make contact</li> <li>• Neutral conductor: required (3 conductor system)</li> <li>• Wire range: max. 2x2.5 mm<sup>2</sup>, 0.5 Nm</li> <li>• Extension unit: Single push-button, unlimited number, max. 50 m</li> <li>• Operating elements: 1 rocker</li> <li>• Display elements: 1 LED</li> <li>• Frequency band: 2.4 GHz</li> <li>• Transmission capacity: 2.5 mW</li> <li>• Cables: 1.5 to 2.5 mm<sup>2</sup> rigid/stranded cable</li> <li>• Operating voltage: 230 V AC 50 Hz</li> <li>• Ambient air temperature for operation 5 to 40 °C</li> <li>• Standard: EN 300-328 EN 301-489-17 EN 60730-2-7 EN 60669-2-1</li> <li>• Directives: 2014/35/EU - low voltage directive 2014/30/EU - electromagnetic compatibility</li> <li>• Degrees of protection: IP20 IP21 with marking on visual parts</li> <li>• Certification: Zigbee 3.0</li> </ul>			

## Connected Blind Control Switch



4 A

PRO + DIY



white

S320567W

anthracite

S340567W

### Maximum loads

Motor (single-phase)  
230 V



500 VA

### Control options

- **Room control:** Operation of the devices in a room. The device can be controlled either with your smartphone or with another Wiser device.
- **Home control:** Operation of the devices throughout the house. This requires the Wiser Home Touch. You can control the Wiser devices with the Wiser Home Touch or the Wiser app – inside your house or externally via cloud access.

### Installation

- Installation in flush-mounted box
- Suitable for installation in a size 60 installation box.
- With screw terminals
- Without claws, for screw fixing.

### Functions and settings

#### Functions:

- Protection of the motor against damage with two mutually electrically locked relay contacts
- Operation with extension unit (mechanical double push-button)
- Group control of multiple blinds
- Central control of multiple blind groups

#### Settings:

- Resetting to default settings/Bluetooth

#### Additional app functions (default setting: no functions active):

- Time switch (weekday switching, astro and random function)
- Status LED display (e.g. orientation light, show blind movement)
- Setting the blind movement time
- Varying blind and slat position
- Coupling to other Wiser devices

### Characteristics

- Nominal voltage: AC 230 V, 50 Hz
- Nominal current: max. 4 A,  $\cos\phi = 0.6$
- Standby: max 0.4 W
- Outputs: 1
- Max. switching capacity per channel:
- Neutral conductor: required (3 conductor system)
- Wire range: max.  $2 \times 2.5 \text{ mm}^2$ , 0.5 Nm
- Extension unit: Double push-buttons, unlimited number, max. 50 m
- Operating elements: 1 rocker
- Display elements: 1 LED
- Frequency band: 2.4 GHz
- Transmission capacity: 2.5 mW
- Cables: 1.5 to 2.5  $\text{mm}^2$  rigid/stranded cables
- Operating voltage: 230 V AC 50 Hz
- Ambient air temperature for operation 5 to 40 °C
- Directive: 2014/30/EU - electromagnetic compatibility  
2014/35/EU - low voltage directive
- Standards: EN 60730-2-7  
EN 60669-2-1  
EN 300-328  
EN 301-489-17
- Degrees of protection: IP20  
IP21 with marking on visual parts





## Connected Universal Push-button Dimmer LED



### 40-600 VA two-way switch

#### PRO + DIY



<input type="checkbox"/> white	<b>S320522W</b>
<input checked="" type="checkbox"/> anthracite	<b>S340522W</b>

#### Maximum loads

LED lamp 230 V		7-100 VA (RC mode), 7-20 VA (RL mode)
incandescent lamp 230 V		14-200 W
halogen lamp 230 V		14-150 W
LV halogen lamps	electronic transformer	14-150 VA
	wound transformer	14-150 VA

#### Control options

- **Room control:** Operation of the devices in a room. The device can be controlled either with your smartphone or with another Wiser device.
- **Home control:** Operation of the devices throughout the house. This requires the Wiser Home Touch. You can control the Wiser devices with the Wiser Home Touch or the Wiser app – inside your house or externally via cloud access.

#### Installation

- Installation in flush-mounted box
- Suitable for installation in a size 60 installation box.
- With screw terminals
- Without claws, for screw fixing.

#### Functions and settings

##### Functions:

- Manual operation: Local dimming
- Operation with extension unit (mechanical push-button)
- Automatic load detection
- Thermal protection, overload-resistant, short-circuit protection
- Soft start
- Resetting to default settings/Bluetooth

##### Additional app settings:

- Setting the switch-on brightness or memory function (default setting)
- Dimming range: Min./max. brightness

##### Additional app functions (default setting: no functions active):

- Setting the LED operating mode manually (RL LED mode)
- Timer mode: Overtravel time (1 second - 24 hours), pre-warning (with or without), manual switching (off or retrigger)
- Time switch (weekday switching, astro, random, wake-up and fall-asleep function)
- Status LED display (e.g. load on, orientation light)
- Coupling to other Wiser devices

#### Characteristics

- Nominal voltage: AC 230 V, 50 Hz
- Standby: max 0.4 W
- Neutral conductor: not required (2 conductor system)
- Wire range: max. 2x2.5 mm<sup>2</sup>, 0.5 Nm
- Extension unit: Single push-button, unlimited number, max. 50 m
- Operating elements: 1 rocker
- Display elements: 1 LED
- Frequency band: 2.4 GHz
- Transmission capacity: 2.5 mW
- Cables: 1.5 to 2.5 mm<sup>2</sup> rigid/stranded cables
- Operating voltage: 230 V AC 50 Hz
- Ambient air temperature for operation 5 to 40 °C
- Directive: 2014/30/EU - electromagnetic compatibility  
2014/35/EU - low voltage directive
- Standards: EN 60669-1  
EN 60730-2-7  
EN 60669-2-1  
EN 300-328  
EN 301-489-17
- Degrees of protection: IP20  
IP21 with marking on visual parts



Single Socket Outlet 16 A

		Two-way
<b>16 A</b> <b>PRO + DIY</b>		
<input type="checkbox"/> white		<b>S320559</b>
<input checked="" type="checkbox"/> anthracite		<b>S340559</b>
<b>Maximum loads</b>		
LED lamp 230 V		100 W, 125 $\mu$ F
incandescent lamp 230 V		2000 W
LV halogen lamps	electronic transformer	2000 VA
	wound transformer	1500 VA
Motor load		1600 VA, 7 A max
Resistive load		3680 W
Inductive load		16 A, $\cos \varphi = 0.6$
Capacitive load		6 AX, max 70 $\mu$ F+
<b>Control options</b>		
<ul style="list-style-type: none"> <li><b>Room control:</b> Operation of the devices in a room. The device can be controlled either with your smartphone or with another Wiser device.</li> <li><b>Home control:</b> Operation of the devices throughout the house. This requires the Wiser Home Touch. You can control the Wiser devices with the Wiser Home Touch or the Wiser app – inside your house or externally via cloud access</li> </ul>		
<b>Installation</b>		
<ul style="list-style-type: none"> <li>Installation in flush-mounted box</li> <li>Suitable for installation in a size 60 installation box.</li> <li>With screw terminals</li> <li>Without claws, for screw fixing.</li> </ul>		
<b>Functions and Settings</b>		
<ul style="list-style-type: none"> <li>The Smart Single Socket 16 A offers much more than a normal socket outlet when used with the Wiser app including:                     <ul style="list-style-type: none"> <li>Switching devices ON/ OFF, and checking the status from the socket or remotely via app.</li> <li>Setting a timer or a schedule (via app).</li> <li>Monitor and control energy consumption of connected loads with a high level of accuracy (1% for loads &gt; 25 W) via app.</li> <li>Creating moments and automation with other Wiser Home products.</li> </ul> </li> </ul>		
<b>Characteristics</b>		
<ul style="list-style-type: none"> <li>Operating voltage: 230 V AC, 50 Hz</li> <li>Nominal current: 16 A max.</li> <li>Standby: Max. 0.4 W</li> <li>Fuse Protection: 16 A circuit breaker</li> <li>Frequency band: 2405-2480 MHz</li> <li>Transmission capacity: &lt; 10 mW</li> <li>Ambient air temperature for operation 5 to 40 °C</li> <li>Degrees of protection: IP20</li> </ul>		



Connected wireless switch 1-gang/2-gang



PRO + DIY



<input type="checkbox"/> white	<b>S320531</b>
<input checked="" type="checkbox"/> anthracite	<b>S340531</b>

**Characteristics**

- Ambient air temperature for operation 5 to 40 °C
- Standard: EN 300328
  - EN 301-489-17
  - EN 62479
  - EN 60669-2-5
  - EN 50581
- Directives: 2006/66/EC - battery directive  
2004/108/EC - electromagnetic compatibility
- Degrees of protection: < IP20/IK01

# Ovalis C

## Technical Details

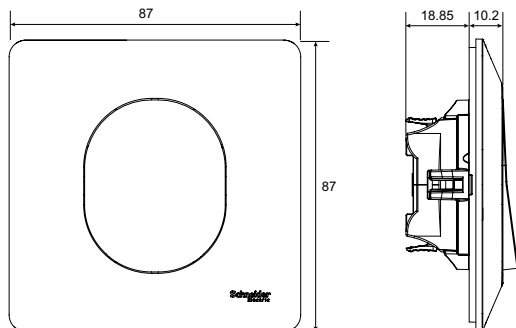


# Technical Details

## Dimensions

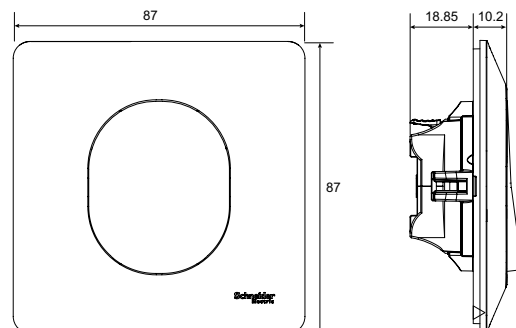
### 10 A - switches

S320●●● S340●●●  
S325●●● S345●●●



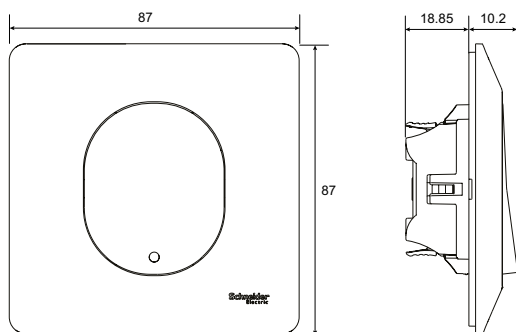
### 10 A - push buttons

S320●●● S340●●●  
S325●●● S345●●●



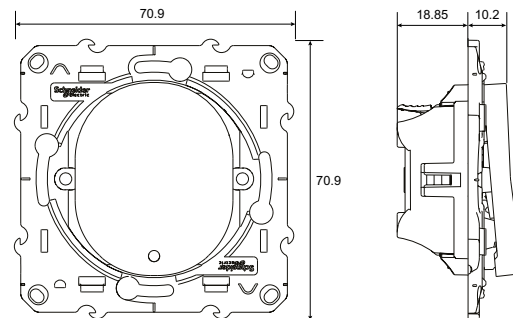
### 10 A - switches with indicator lamp

S320●●● S340●●●  
S325●●● S345●●●



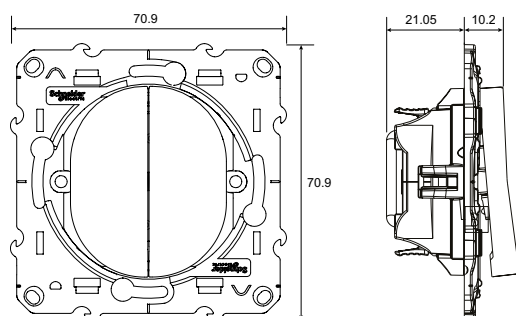
### 10 A - push buttons with indicator lamp

S320●●● S340●●●



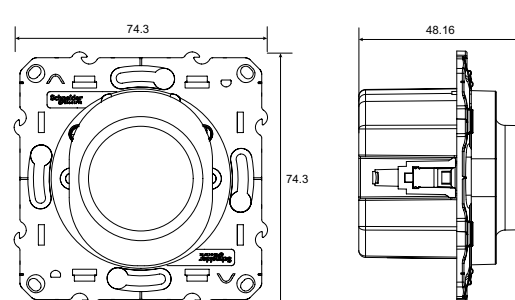
### Mechanisms for roller blinds

S320●●● S340●●●  
S325●●● S345●●●



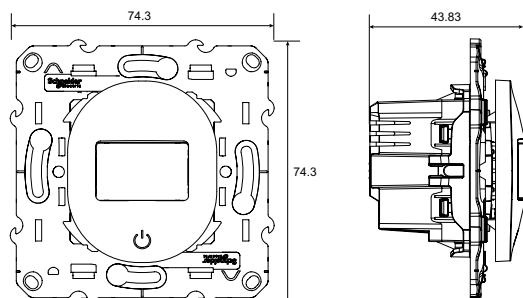
### Rotary electronic dimmers switches

S320●●● S340●●●  
S325●●● S345●●●



### Presence and movement detectors

S320●●● S340●●●  
S325●●● S345●●●

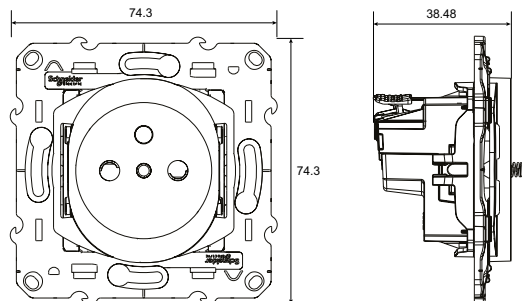


# Technical Details

## Dimensions

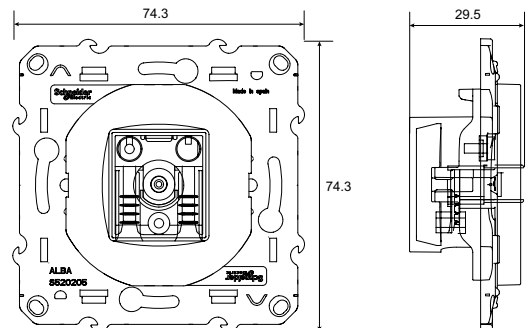
### French socket outlets

S320●●● S340●●●  
S325●●● S345●●●



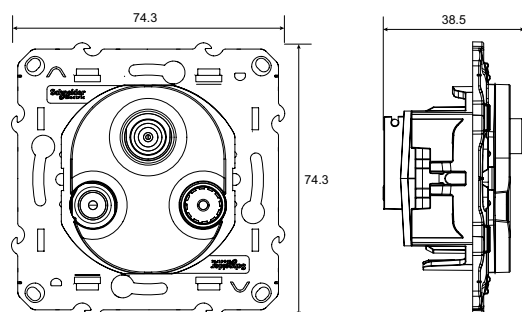
### TV sockets

S320●●● S340●●●



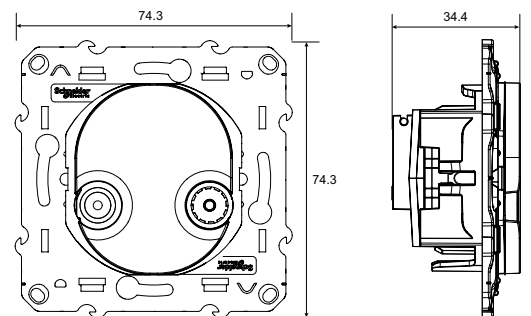
### TV/SAT/R sockets

S320●●● S340●●●



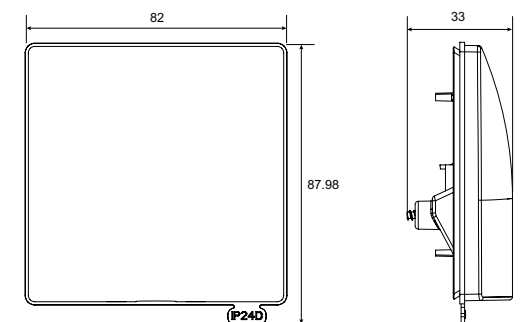
### TV/R sockets

S320●●● S340●●●



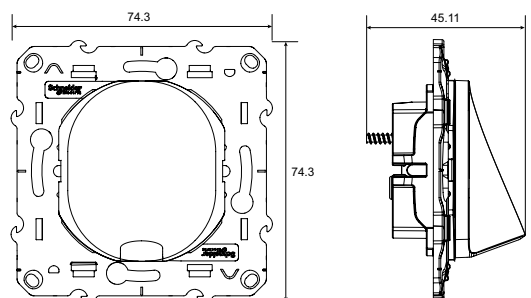
### Universal cable outlets

S320●●● S340●●●



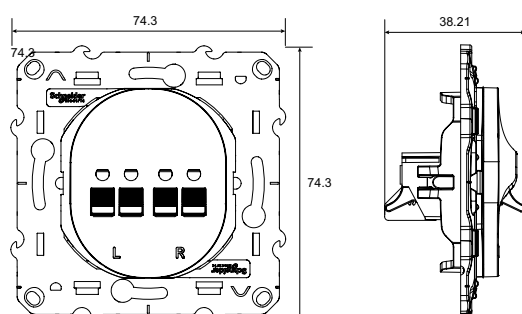
### Cable outlets

S320●●● S340●●●  
S325●●● S345●●●



### Loudspeaker sockets

S320●●● S340●●●



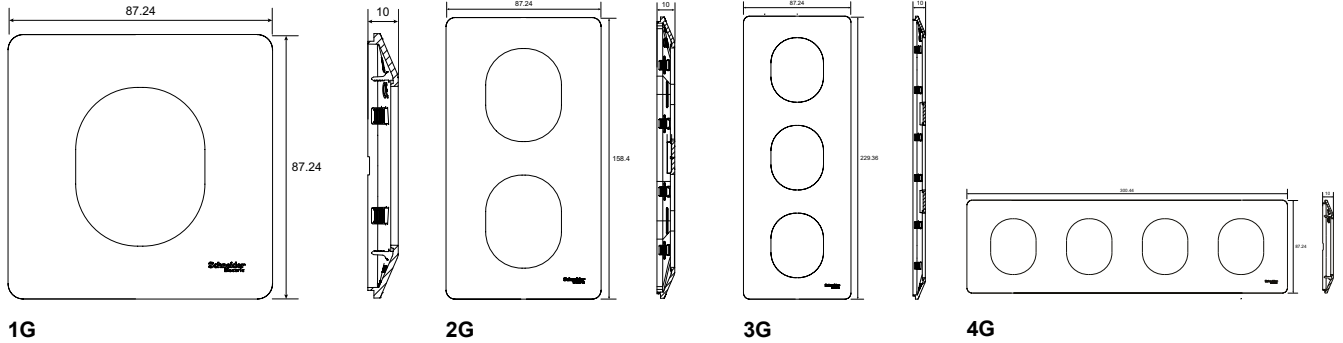
# Ovalis C Series

## Technical Details

### Dimensions

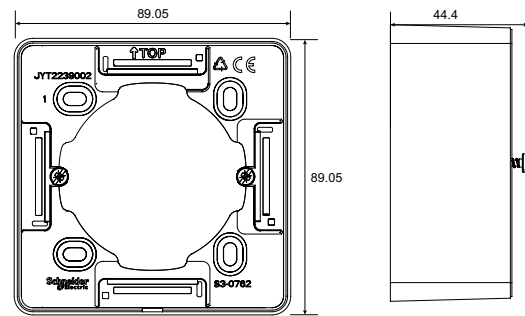
#### Cover frames

S320●●● S340●●●



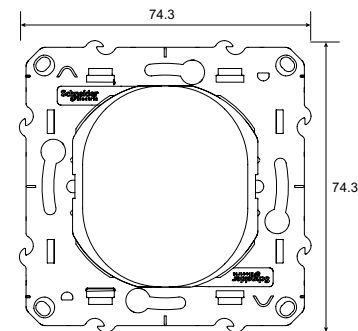
#### Surface mounted box

S320●●● S340●●●  
S325●●● S345●●●



#### Blind covers

S320●●● S340●●●  
S325●●● S345●●●

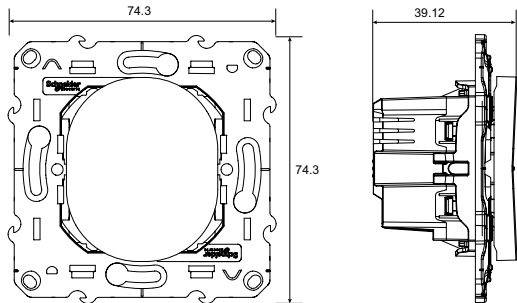


# Technical Details

## Dimensions

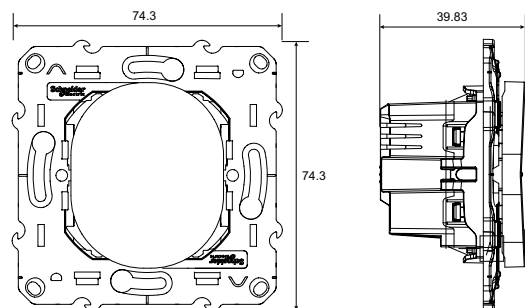
### Wiser Relay Switch 10 A

S320●●● S340●●●



### Wiser Blind Control Switch

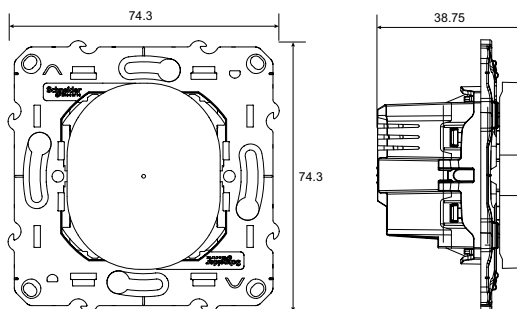
S320●●● S340●●●



### Wiser Universal Push-button Dimmer

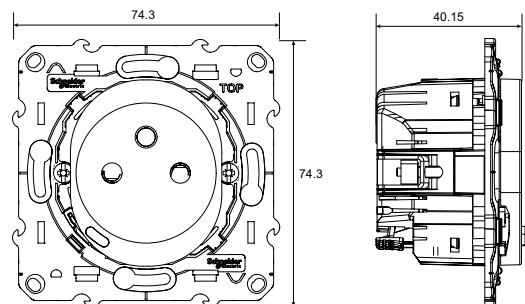
LED

S320●●● S340●●●



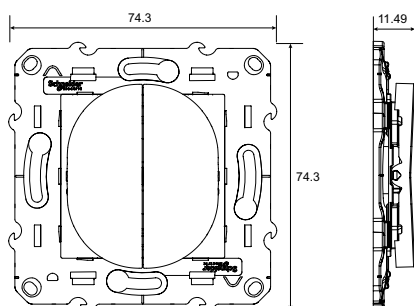
### Wiser Smart Socket Outlet 16 A

S320●●● S340●●●



### Wiser wireless switch 1-gang/2-gang

S320●●● S340●●●



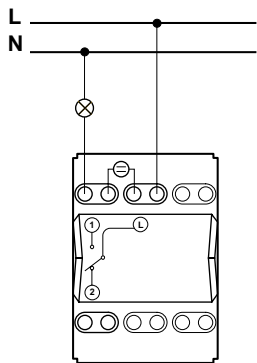


# Technical Details

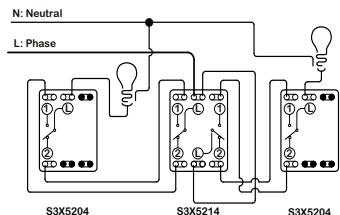
## Connections

### Switches and push-buttons

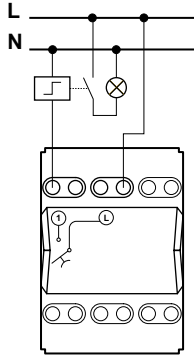
S320●●● S340●●●  
S325●●● S345●●●



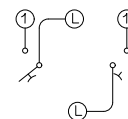
Two-way switch



Double two-way switch



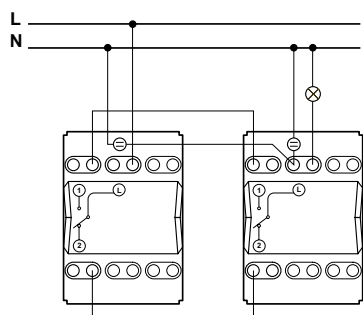
One-way Push-button



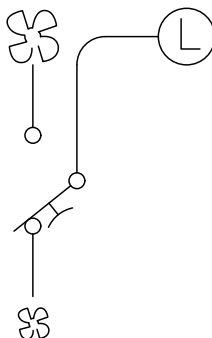
Double one-way Push-button

### Switches and push-buttons with indication lamp

S320●●● S340●●●  
S325●●● S345●●●



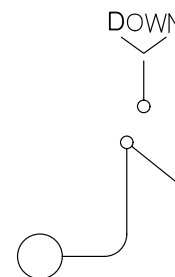
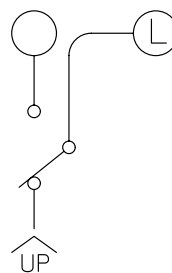
2 two-way switches with indicator lamps



One-way Push-button with indicator lamp

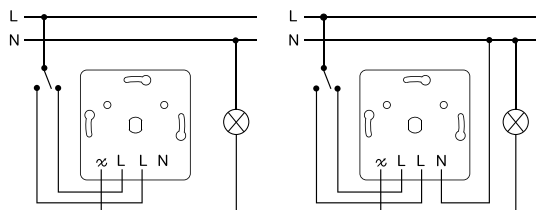
### Mechanisms for roller blinds

S320●●● S340●●●  
S325●●● S345●●●



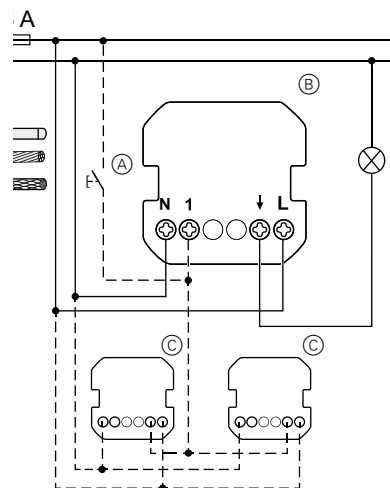
### Rotary electronic dimmer switches

S320●●● S340●●●  
S325●●● S345●●●



### Presence and movement detector

S320●●● S340●●●  
S325●●● S345●●●



without neutral

with neutral

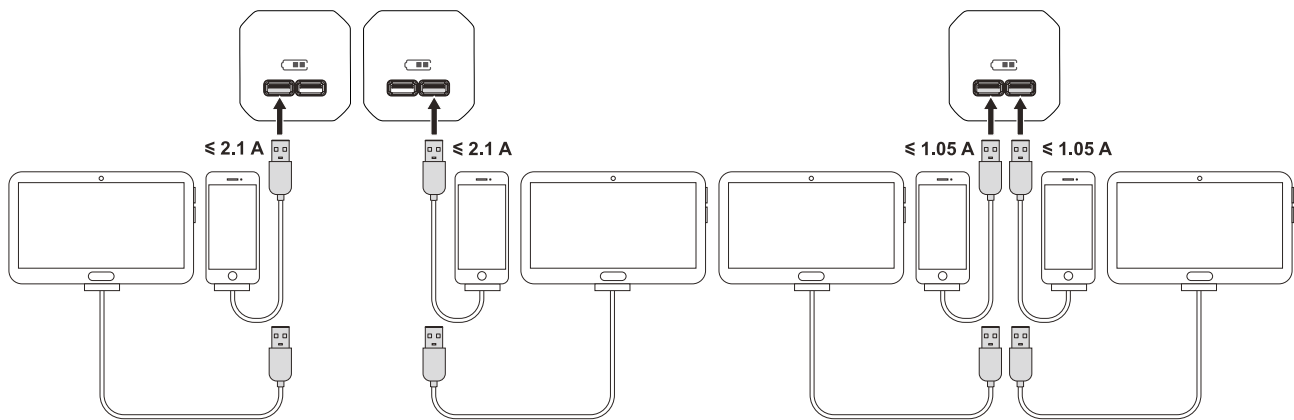
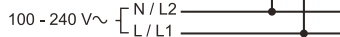
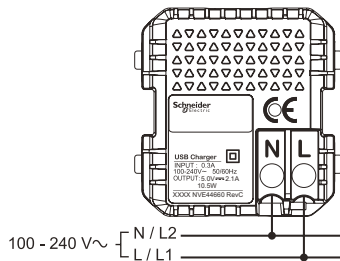
# Technical Details

## Connections

### USB chargers

#### Double USB Type A

S320●●● S340●●●

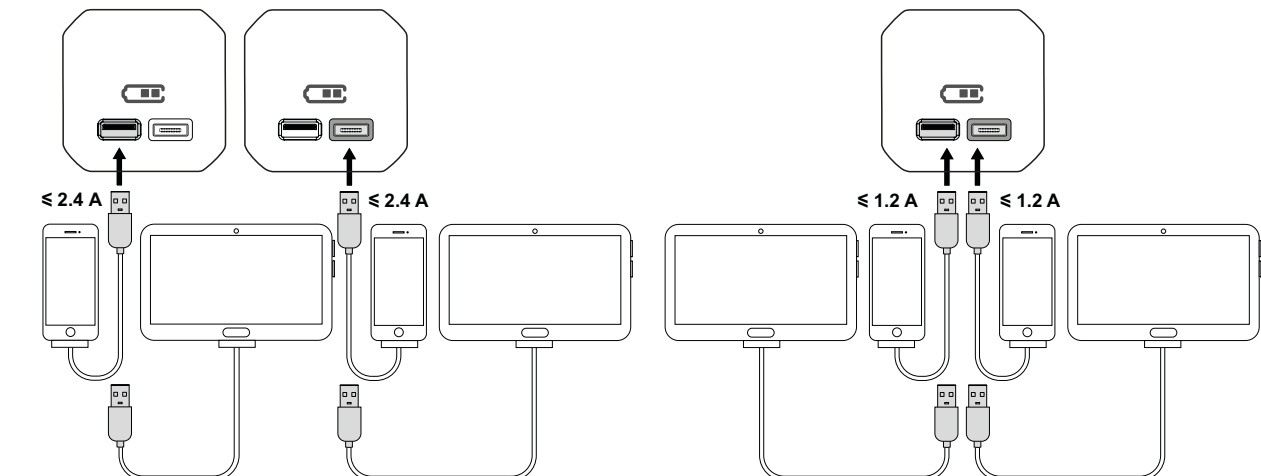
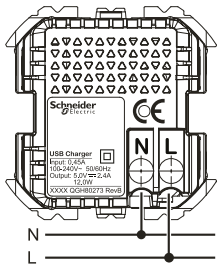


Double USB type A connection

#### Double USB Type A + C

S320●●● S340●●●

S325●●● S345●●●



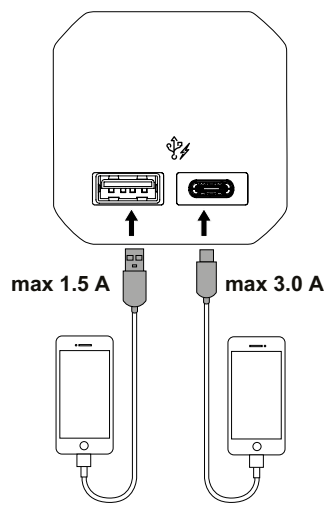
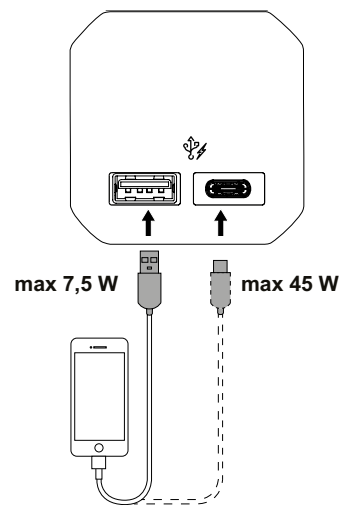
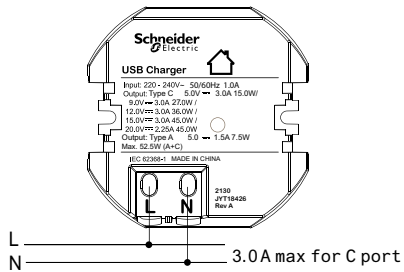
Double USB type A + C connection

# Technical Details

## Connections

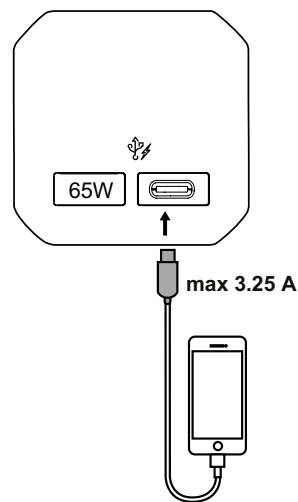
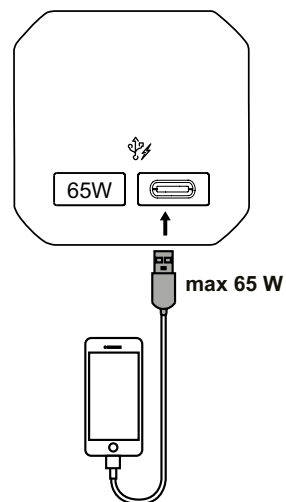
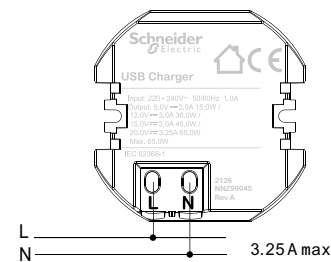
### Double USB type A + C (45 W)

S320●●● S340●●●  
S325●●● S345●●●



### USB Type C (65 W)

S320●●● S340●●●  
S325●●● S345●●●

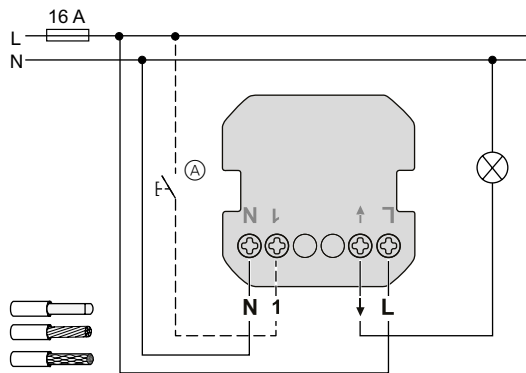


# Technical Details

## Connections

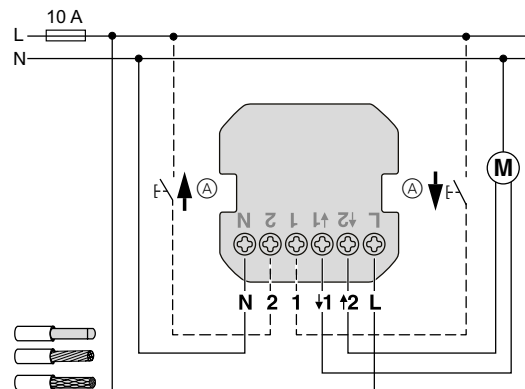
### Wiser Relay Switch 10 A

S320●●● S340●●●



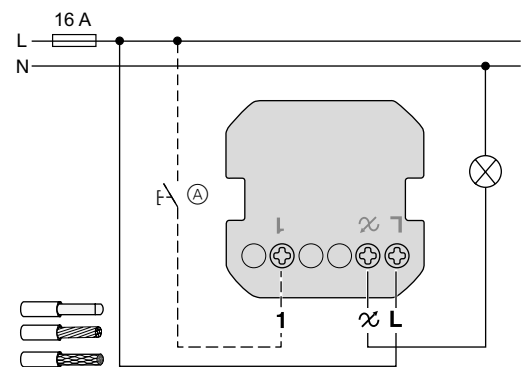
### Wiser Blind Control Switch

S320●●● S340●●●



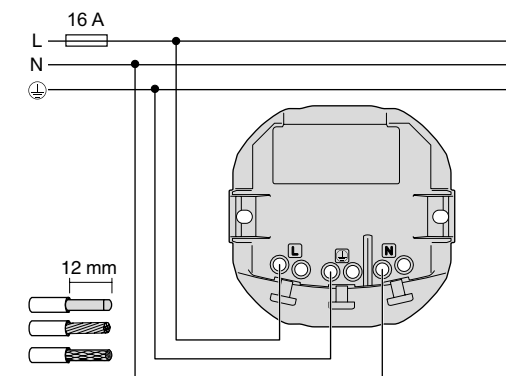
### Wiser Universal Push-button Dimmer LED

S320●●● S340●●●



### Wiser Smart Socket Outlet 16 A

S320●●● S340●●●



# Technical Details

## Connections

### RJ45 data sockets

#### Introduction

- Given the rapid evolution of the world of computing and telecommunications, today installation of networks is essential in offices and shops (and soon in homes) in order to share information and equipment (printers, scanners, etc.) between several computers.
- These networks consist of cables, connectors, centralising systems and other accessories that, installed in standard, flexible and upgradeable manner (for all Voice, Data, Image transmission applications), make up what is known as structured cabling system.
- The main component of structured cabling is the cable. There are different types of cable for data networks (coaxial, optical fibre, etc.), but the cable most commonly used is the twisted pair cable consisting of 2 insulated and interlaced copper wires.
- There are several types of twisted pair cables:
  - The U/UTP cable (Unshielded Twisted Pair) is a 4-pair twisted cable that is not shielded. It is intended for small and medium installations without electromagnetic pollution
  - The F/UTP cable (Foiled Twisted Pair) is a 4-pair twisted cable with general shielding for external protection, common to all 4 pairs, protecting them against reduced electromagnetic pollution. It is suitable for installations requiring minimum electromagnetic protection
  - The S/FTP cable (Shielded Twisted Pair) is also another 4-pair shielded twisted cable with protective shielding of each pair against high electromagnetic pollution. This minimises emissions. It is suitable for installations requiring a high level of electromagnetic protection.
- The RJ45 socket is an 8-pin connector standardised by ISO8877 for connection of devices to VDI networks.
- One of the standards most commonly used for production of structured cabling is that of the North American Association of electronic and telecommunications manufacturers (EIA/TIA 568B) that has defined a colour code with 2 alternatives, to describe connection of the RJ45 connector.

#### Technical data

##### Categories

- The most important property defining a data network is the speed at which information can circulate inside this network.
- According to this aspect, installations are classed into the following categories:

Category	Transmission rate	Network type
Cat. 3	Up to 10 MHz	Ethernet 10 Base T, Token Ring 4 Mbps
Cat. 4	Up to 16 MHz	Token Ring 16 Mbps
Cat. 5e	Up to 100 MHz	Ethernet 1000 Base T, ATM 155 Mbps
Cat. 6	Up to 250 MHz	Ethernet 1000 Base T, ATM 1200
Cat. 6 <sub>A</sub>	Up to 500 MHz	Ethernet full-duplex mode 10 G Base T

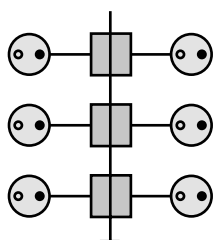
- So that an installation can be included in a certain category, all the elements making it up must belong to the same category, or, otherwise, it will be classed in the category of the lower category element.

##### Ovalis offer

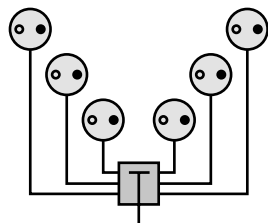
- The Ovalis offer consists of supports for RJ45 connectors and of a broad and comprehensive range of RJ45 infraplus connectors covering virtually all structured cabling needs, both current and future.
- This offer satisfies the technical requirements of prevailing regulations soon to be standardised and stand out by the following characteristics:
  - Ease of mounting; each connector is equipped with a code of colours and numbers to guide connection at all times without needing special tools
  - High connector quality with category 6 and 6A sockets thus allowing us to propose the quickest connector on the market
  - Minimum conductor untwisting for connection, thus preventing electromagnetic interference
  - Connection reliability
  - Compact size (particularly for the shielded version).

### TV/R/SAT sockets

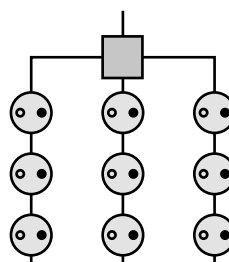
#### Network structures



Floor star



Star network



Tree network

#### Socket characteristics

Individual:

Suitable sockets for Floor star or Star network installations. End of the cable, signal issued from taps/splitters, multi-switches...

Trough-pass:

Sockets used for cascade installations (tree network...).

There are two types:

Passage:

With trunk output, to be used in a trunk line with many other sockets

Terminal:

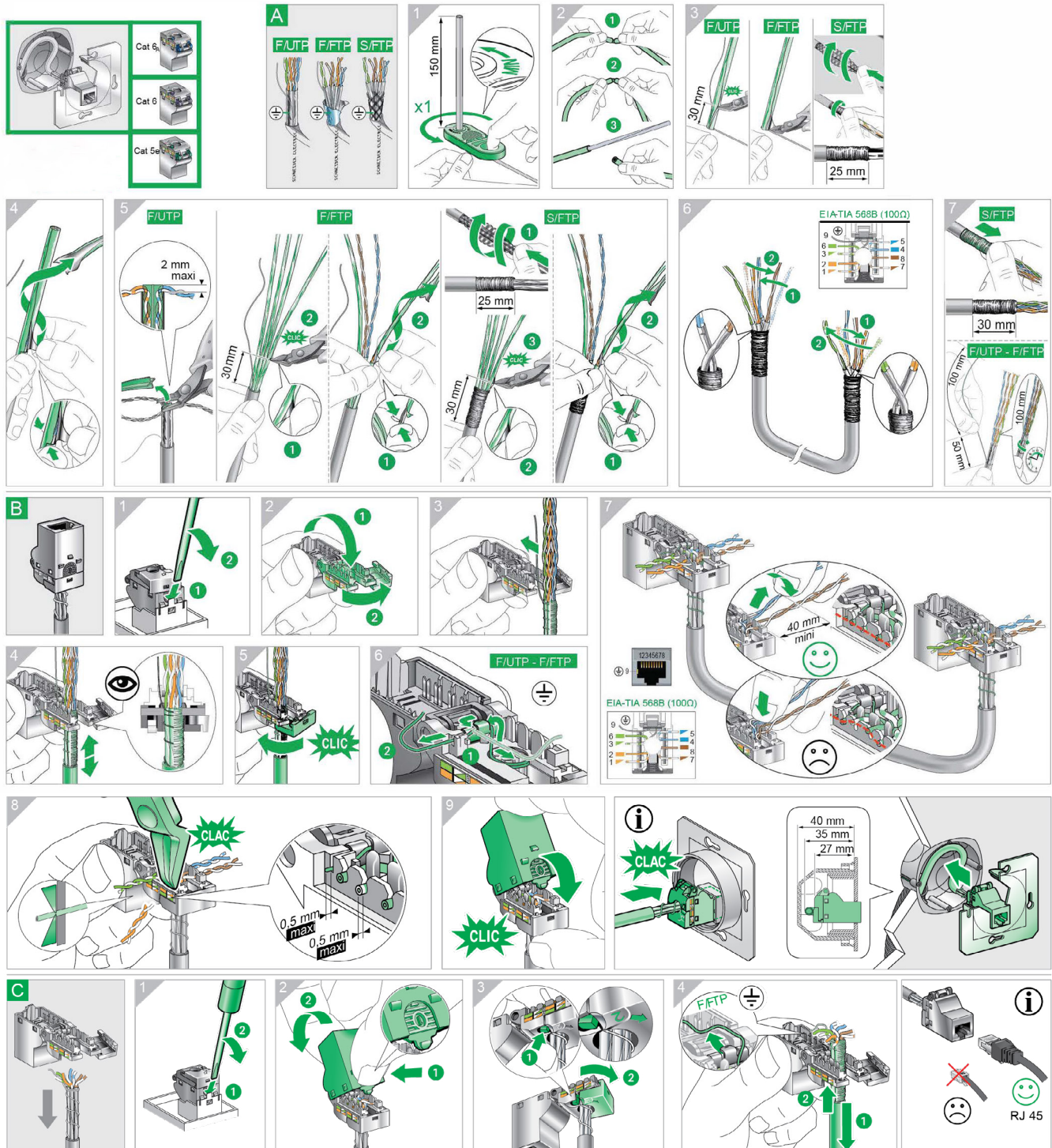
Trough-pass without trunk output, fitted with a resistor, to be used at the end of a trunk line with many sockets.

# Technical Details

## Connections

### Installation

Example of shielded punch down data socket installation





# Ovalis C Index





# Ovalis C Series

## Index

Ref	Page	Ref	Page	Ref	Page	Ref	Page	Ref	Page
S261089	10	S320662	14	S325214	5	S340522W	25	S345476D	11
S300052	21	S320702	17	S325214D	5	S340523	9	S345496	12
S300059	21	S320702A	17	S325236D	6	S340530W	23	S345496D	12
S300204	21	S320702B	17	S325263	5	S340531	27	S345519	8
S300208	21	S320702C	17	S325263D	5	S340559	26	S345523	9
S300214	21	S320702D	17	S325266	6	S340567W	24	S345662	14
S300405	21	S320702F	17	S325266D	6	S340644	14	S345662D	14
S300476	21	S320702P	17	S325401	13	S340662	14	S520006	19
S300702	21	S320704	17	S325401D	13	S340702	17	S520290	19
S300704	21	S320704A	17	S325403	13	S340702E	17	S520291	19
S300706	21	S320704B	17	S325403D	13	S340702G	17	S520292	19
S320033	10	S320704C	17	S325405	12	S340704	17	S520293	19
S320052	10	S320704D	17	S325405D	12	S340704E	17	S520299	19
S320052C	10	S320704F	17	S325406	13	S340704G	17	S520690	19
S320052P	10	S320704P	17	S325406D	13	S340706	17	S520691	19
S320059	10	S320706	17	S325476	11	S340706E	17		
S320059P	10	S320706A	17	S325476D	11	S340706G	17		
S320089	13	S320706B	17	S325496	12	S340708	17		
S320204	5	S320706C	17	S325496D	12	S340724	17		
S320204P	5	S320706D	17	S325519	8	S340724E	17		
S320205	5	S320706F	17	S325523	9	S340724G	17		
S320206	6	S320708	17	S325662	14	S340726	17		
S320208	7	S320724	17	S325662D	14	S345033	10		
S320214	5	S320724A	17	S340033	10	S345033D	10		
S320214P	5	S320724B	17	S340052	10	S345052	10		
S320216	6	S320724C	17	S340052C	10	S345052CD	10		
S320236	6	S320724D	17	S340059	10	S345052D	10		
S320263	5	S320724F	17	S340089	13	S345059	10		
S320266	6	S320726	17	S340204	5	S345059D	10		
S320276	6	S321033	10	S340205	5	S345204	5		
S320285	6	S321052	10	S340206	6	S345204D	5		
S320401	13	S321204	5	S340208	7	S345206	6		
S320403	13	S321206	6	S340214	5	S345206D	6		
S320405	12	S321214	5	S340216	6	S345208	7		
S320406	13	S321266	6	S340236	6	S345208D	7		
S320407	13	S321276	6	S340263	5	S345214	5		
S320451	12	S321405	12	S340266	6	S345214D	5		
S320461	12	S321662	14	S340276	6	S345236D	6		
S320476	11	S325033	10	S340285	6	S345263	5		
S320476P	11	S325033D	10	S340401	13	S345263D	5		
S320477	11	S325052	10	S340403	13	S345266	6		
S320488	14	S325052CD	10	S340405	12	S345266D	6		
S320496	12	S325052D	10	S340406	13	S345401	13		
S320519	8	S325059	10	S340407	13	S345401D	13		
S320522W	25	S325059D	10	S340451	12	S345403	13		
S320523	9	S325204	5	S340461	12	S345403D	13		
S320530W	23	S325204D	5	S340476	11	S345405	12		
S320531	27	S325206	6	S340477	11	S345405D	12		
S320559	26	S325206D	6	S340488	14	S345406	13		
S320567W	24	S325208	7	S340496	12	S345406D	13		
S320644	14	S325208D	7	S340519	8	S345476	11		

# Notes

---



# Green Premium™

An industry leading portfolio of offers delivering sustainable value



More than 75% of our product sales offer superior transparency on the material content, regulatory information and environmental impact of our products:

- RoHS compliance
- REACh substance information
- Industry leading # of PEP's\*
- Circularity instructions



Discover what we mean by green

[Check your products!](#)

The Green Premium program stands for our commitment to deliver customer valued sustainable performance. It has been upgraded with recognized environmental claims and extended to cover all offers including Products, Services and Solutions.

#### CO<sub>2</sub> and P&L impact through... Resource Performance

Green Premium brings improved resource efficiency throughout an asset's lifecycle. This includes efficient use of energy and natural resources, along with the minimization of CO<sub>2</sub> emissions.

#### Cost of ownership optimization through... Circular Performance

We're helping our customers optimize the total cost of ownership of their assets. To do this, we provide IoT-enabled solutions, as well as upgrade, repair, retrofit, and remanufacture services.

#### Peace of mind through... Well-being Performance

Green Premium products are RoHS and REACh compliant. We're going beyond regulatory compliance with step-by-step substitution of certain materials and substances from our products.

#### Improved sales through... Differentiation

Green Premium delivers strong value propositions through third-party labels and services. By collaborating with third-party organizations we can support our customers in meeting their sustainability goals such as green building certifications.

\*PEP: Product Environmental Profile (i.e. Environmental Product Declaration)

Life Is On



Schneider Electric Industries SAS

35, rue Joseph Monier  
CS 30323  
92506 Rueil Malmaison Cedex  
France

07-2023

© 2023 - Schneider Electric. All Rights Reserved.  
All trademarks are owned by Schneider Electric Industries SAS or its affiliated companies.  
Document reference: LSB03181 EN

This document has been  
printed on recycled paper

