



Wall

Safety signals

The new line of Exiway Smartexit Activa safety signalling devices is the modern answer to the demand for simplicity and functionality, without having to forego fine styling.

Thanks to its advanced and innovative design, Smartexit Activa is ready for any application, in any situation.



Ceiling

Installation accessory-free

Exiway Smartexit Activa can be installed in all types of use without the need of any accessory: wall, ceiling, and even flag.

The innovative Flexi system lets you direct the signalling screen 90° to the body and offers the availability of vertical signalling along the corridor. It simplifies installation in an amazing way, with a high-level result in terms of style.



Flag

Performance abreast with the times

The visibility distance of 26 and 32 metres ensures optimum signal visibility, both in medium-size rooms and in larger areas. The most commonly used pictograms are supplied, but arrow up and 45° signals are also available. All the Exiway Smartexit Activa pictograms are interchangeable and compliant with the ISO7010 and UNI EN 1838 standards.

Exiway Smartexit Activa

Self-diagnosis version (Activa), IP40, IK07

Technical specifications

Product catalogue numbers



P147389



Wall installation



P147388



Ceiling installation (here with large screen)

Technical specifications

- Available for maintained and non-maintained operation: the product can be used in non-maintained mode
- Compliant with IEC/EN 60598-1 , IEC/EN 60598-2-22, IEC/EN 62034, IEC/ EN 62471 - group 0 standards
- ENEC certification
- Self-diagnosis version (Activa)
- Can be inhibited with rest mode via TBS of remote controls
- Protection rating: IP40, IK04
- Insulation class: II
- Installation even on flammable surfaces
- Fire behaviour (IEC 60695-2-10), incandescent wire: 850°C
- Operating temperature: 0...40°C
- Case of self-extinguishing polycarbonate 94V-2 (UL 94)
- Long-lasting LED light source 18 x 0.1 W (> 10 years expected in typical environment temperature* condition)
- Power supply: 220/230 V, 50/60 Hz
- Complete recharge:
 - in 12 h for model with 1.5 h autonomy
 - in 24 h for model with 3 autonomy (12 h for 2 h duration)
- Battery: LiFePO4
- Exit sign screens easy to install in precise position
- Delivered with 6 pictograms: Right, Left, Up, Down, Vertical up and White
- Brackets for wall/flag installation included.

(*) Typical environment temperature: 25°C.

Emergency exit sign catalogue numbers


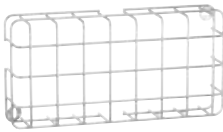


Exiway Smartexit Activa	Visibility (m)	Autonomy (h)	Consumption in recharge N.M/M (VA)	Consumption in maintenance N.M/M (W)	LiFePO4 battery	Weight (kg)	Cat. no.	
Maintained								
	26	1.5	3.1	0.4	3.2 V	1.5 Ah	0.6	OVA48404
		3	3.1	0.4	3.2 V	1.5 Ah	0.6	OVA48405
	32	1.5	3.1	0.4	3.2 V	1.5 Ah	0.7	OVA48406
		3	3.1	0.4	3.2 V	1.5 Ah	0.7	OVA48407

Note: The maintained product can be used in Non-maintained mode. The selection is made on the connector.


Exiway Smartexit Activa

Self-diagnosis version (Activa), IP40, IK07
Accessories
Spare parts

Accessories

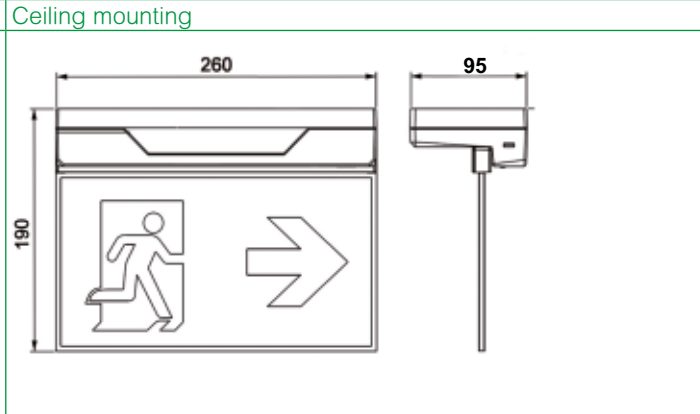
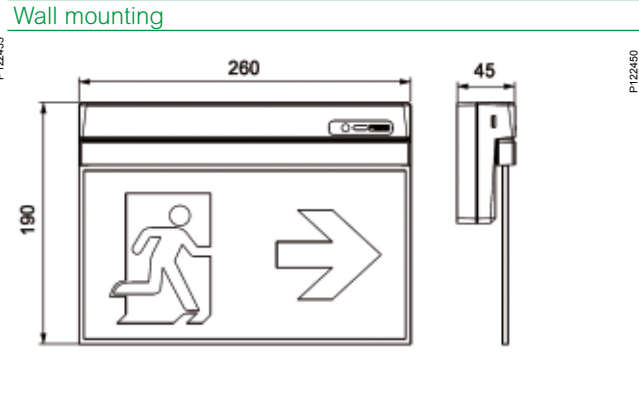
		Compatibility	Dimensions (mm) height x width x depth	Cat. no.	
Pictogram for Picto Screen Visibility: 26 m Removable Set of 7: 2: 45° Up Left / Right 2: 45° Down Left / Right 1: Vertical Down 2: Vertical Left / Right	ISO P122463-P122464-P122465-P122466		All	140 x 260 x 0.3	OVA53173
Hanging kit		All	-	OVA53175	
Protective grid IK10	P148937		26 m versions	254.5 x 312 x 72	OVA53176
			32 m versions	292.5 x 388 x 72	OVA53177
TBS-Smartled 150	P148938		All models, for 150 luminaires	90 x 85 x 68 mm 5 mod. of 18 mm	OVA53161
TBS-Smartled 250	P148939		All models, for 250 luminaires	90 x 85 x 68 mm 5 mod. of 18 mm	OVA53162

Spare parts

	Description	Compatibility	Cat. no.
P147391 	3.2 V, 1.5 Ah	OVA48404, OVA48405, OVA48406, OVA48407	OVA51154

Mounting dimensions

26 m model



32 m model

