

Automatic control of a family swimming pool

© Alexis Fursov - Fotolia.com



Customer's needs

The owner wants to optimise his energy expenses by automating the operation and maintenance of his swimming pool.

Recommendation

A time switch is used to program time slots for operation of the filtration pumps and the automatic vacuum cleaner. A backup power supply ensures continuous cycle operation even in the event of power outages. The programs are resumed when power is restored.



Customer advantages

- Energy savings.
- Economical solution.
- All the operating hours are visible on the front of the time switch.

Product advantages

- Ease of installation and programming with captive segments.
- Channel switching status (On, Off).
- Immediate reading of output contact position.
- Optional manual starting and stopping, independent of programming.
- 200 h power backup in the event of a mains failure.
- Override function on the front.
- Sealable swivel cover.
- Screwless terminals for fast, easy connection.

> Zoom on

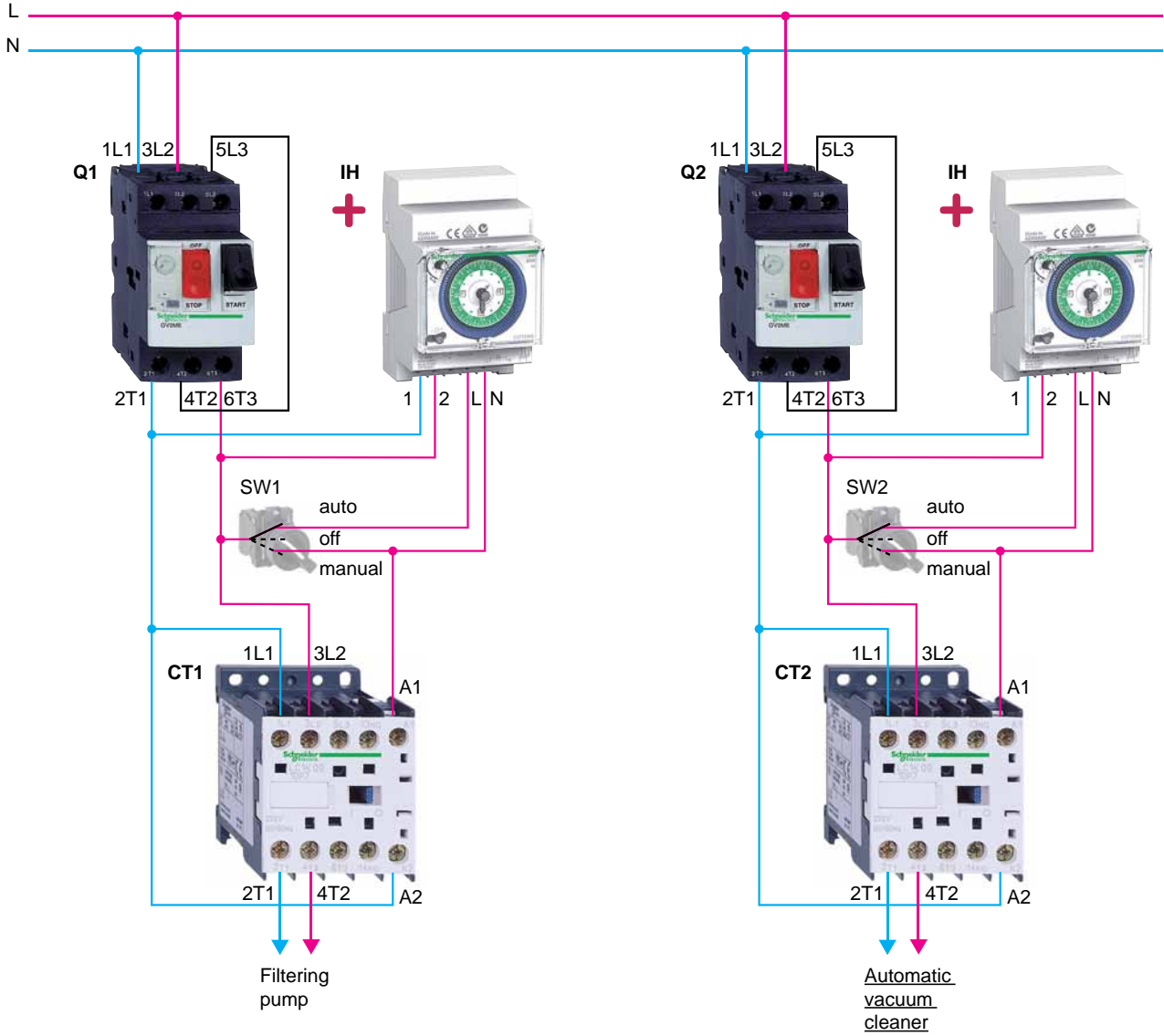
IH

Efficiency at your fingertips!



IH 24h 1c ARM

Solution diagram



> Products used

Product	Description	Unit	Reference
IH 24h 1cARM	Daily programmable mechanical time switch with power reserve	2	CCT15365
GV2-ME03 (Q1 and Q2)	Circuit breaker	2	
TeSys LC1K 09 (CT1 and CT2)	Contacteur	2	
XB5AD33 (SW1 and SW2)	3-position switch	2	