

# Emergency lighting in a public building: junior high school

BAES emergency lighting unit

Evacuation BAES



Anti-panic/ambient BAES



## Customer needs

Produce an emergency lighting installation in compliance with the regulations allowing signage and ambient lighting to reach the emergency exits in case of evacuation of the institution during a power cut.

The equipment installed must be unremovable with conventional tools, and that installed in cloakrooms and sports rooms shall be reinforced to prevent damage.

The self-contained emergency lighting units ("BAES") installed shall be able to indicate their operating condition.

In the event of a deliberate power cut, the units must be idled to prevent them from discharging.

## Users / customer benefits

- **easy, fast installation:** the emergency lighting units are designed to simplify the work of the installer: numerous handling operations are performed without tools. Numerous mounting possibilities. Simplified markings, quick connectors, cable glands, accessories,
- **lower maintenance costs:** provided with integral self-control, they make regular checks on the light source, the battery and the electronic module. The results are indicated by multicolored LEDs,
- **extended service life:** the LED technology reduces power consumption and increases the degree of reliability and service life of the installation.

## Proposed solution

### BAES emergency lighting unit

The use of anti-panic emergency lighting units and signage can:

- reduce the risk of panic,
- make evacuation paths and obstacles visible.

The range has accessories: tamper-proof screws and wire guards.

They are "self-testable" and perform regular checks on their operating condition.

The TBS 50 remote control prevents the batteries from discharging in the event of a deliberate mains power cut.



Junior high school

## Preferred application

- offices and educational institutions,
- hotels,
- industry,
- retail trade,
- infrastructure, etc.

Good marks for purchasing and maintenance costs:

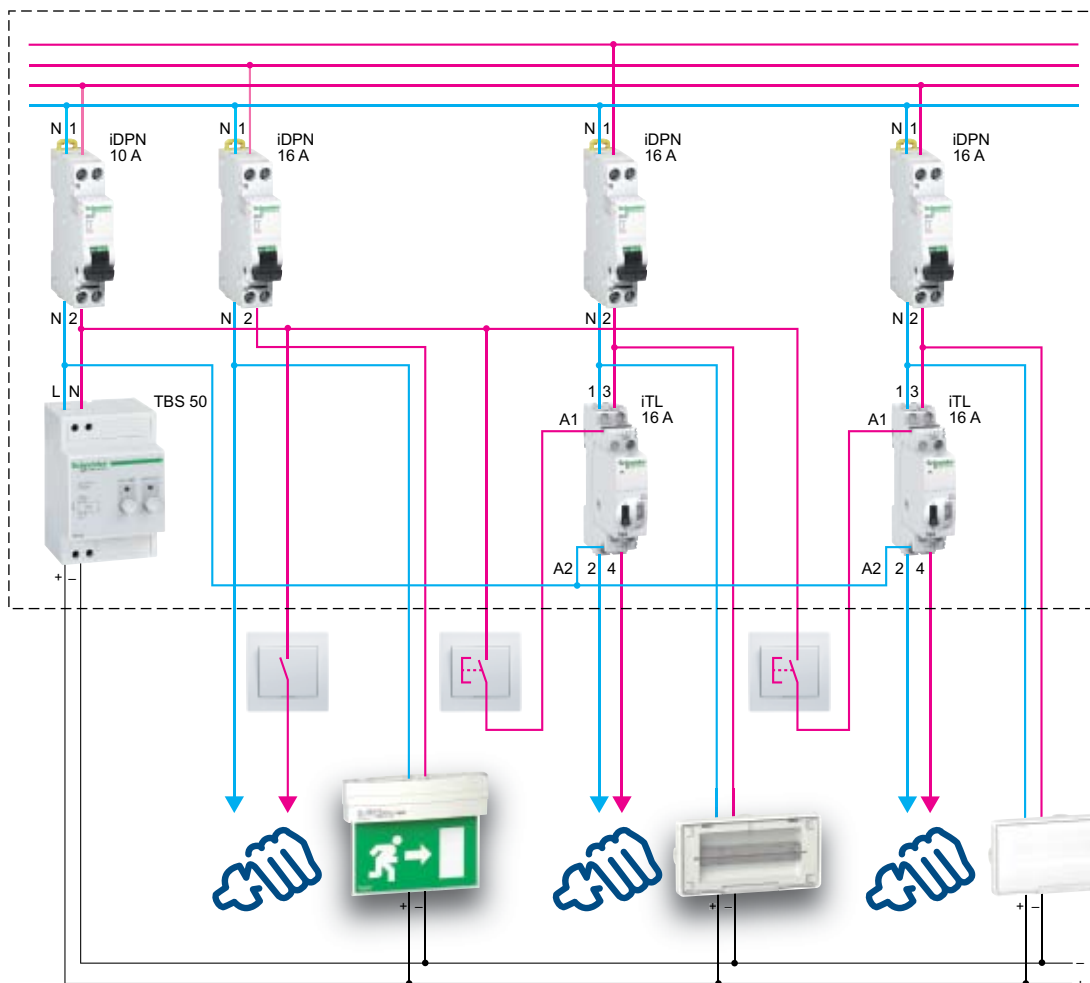
- the combined cost of purchase and maintenance of the LED versions is far less expensive than the purchase and maintenance of fluorescent tube units (no change of fluorescent tubes)

## Specifications

The installation shall be executed with self-testable anti-panic emergency lighting and ambient lighting units.

The installation shall be stopped in the event of a deliberate power supply cutoff.

## Solution diagram



## Products used

Product	Description	Unity	Cat. no.
iDPN	C16 A 1P+N circuit breaker	3	-
iDPN	C10 A 1P+N circuit breaker	1	-
TBS 50	Remote control for emergency units (max. 50 units)	1	-
iTL	16 A impulse relay	1	A9C30812
BAES	Evacuation unit	1 or more	-
BAES	Anti-panic/ambient lighting unit	1 or more	-