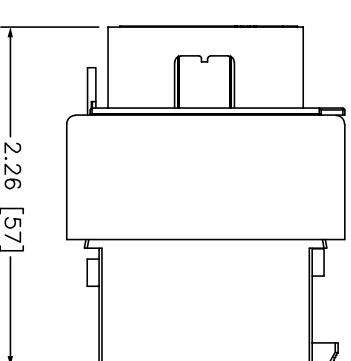
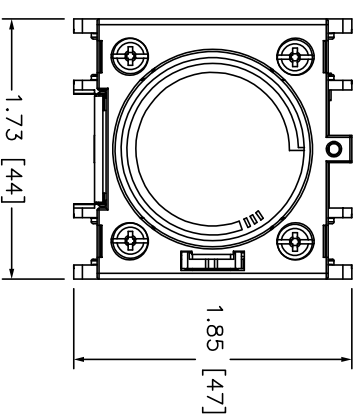
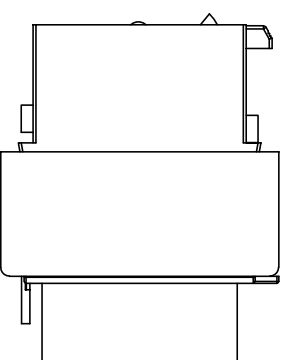


TYPE	TIMING RANGER (secs)	CATALOG NO
ON-DELAY	0.1-3.0	LAD (1)
ON-DELAY	0.1-3.0	T0
ON-DELAY	0.1-3.0	T2
ON-DELAY	10-180	T4
ON-DELAY	1-30	S2
OFF-DELAY	0.1-3.0	R0
OFF-DELAY	0.1-3.0	R2
OFF-DELAY	10-180	R4



Catalog Number: LADT(1)
Ratings: 250V
UL File/CCN: E48539/NLIDX
CSA File/Class: LB43364/321104
Meets Standards: IEC 60947-4
Weight: .1 KG
Wire Size: #8 - #14
Termination Method: Screw Terminals
Terminal torque: 7 LB IN
Mounting Hwd.: SNAP MOUNT ON TOP OF CONTACTOR

"THE SQUARE D COMPANY HAS PROPRIETARY RIGHTS TO THE INFORMATION CONTAINED HEREON. THIS INFORMATION REMAINS THE PROPERTY OF SQUARE D COMPANY AND MAY BE USED ONLY IN CONFORMANCE WITH INSTRUCTIONS ISSUED BY SQUARE D COMPANY. USER SHOULD VERIFY DRAWINGS ARE TO THE LATEST/CURRENT REVISION PRIOR TO INCORPORATING IN A DESIGN FILE."

DO NOT SCALE DRAWING
UNLESS OTHERWISE SPECIFIED DIMENSIONS ARE IN INCHES



TOLERANCES
UNLESS OTHERWISE SPECIFIED
2 PLACE DECIMALS ± .01

TIME DELAY AUXILIARY CONTACT BLOCK
LADT(1)



SQUARE D COMPANY

DWG# LADT_0_OD