

LC1G205-620C S410/S411

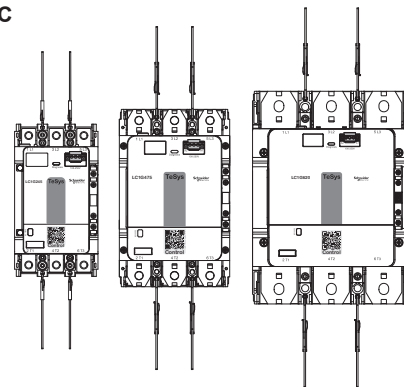


JYT9883101-02

Contactors 205-620 A, 3P,
1140 Vac for Wind Turbines
风电行业 205-620A 接触器,
3P, 1140V 交流



JYT9883101

**⚠️ DANGER / 危险****HAZARD OF ELECTRIC SHOCK, EXPLOSION OR ARC FLASH**

- Read and understand this document and the installation guide before installing, operating, or maintaining your TeSys Giga product.
- Apply appropriate personal protective equipment (PPE) and follow safe electrical work practices. See NFPA 70E, CSA Z462, NOM-029-STPS or local equivalent.
- This equipment must only be installed and serviced by qualified electrical personnel.
- Turn off all power supplying this equipment before working on or in this equipment.
- Use only the specified voltage when operating this equipment and any associated products.
- Power line circuits must be wired and protected in compliance with local and national regulatory requirements.
- Beware of potential hazards, and carefully inspect the work area for tools and objects that may have been left inside the equipment.

Failure to follow these instructions will result in death or serious injury.

电击、爆炸或弧闪的危险

- 安装、操作或维护 TeSys Giga 产品之前，请阅读并理解本文档和安装指南。
- 采用适当的个人防护设备 (PPE) 并遵循电气作业安全守则。请参阅 NFPA 70E, CSA Z462, NOM-029-STPS 或当地对应的标准。
- 只能由具备资质的电工来安装和维修本设备。
- 在本设备上或设备内工作前，必须关闭本设备的所有电源。
- 仅使用指定电压操作本设备及任何关联产品。
- 电源线路的接线和保护必须符合本地和国家规范要求。
- 注意潜在危险，仔细检查作业区，以免将工具和物件遗忘在设备内部。

不遵循上述说明将导致人员伤亡。

PLEASE NOTE

- This product is designed for use in environment A, as defined in IEC 61000-2-3. Use of this product in environment B may cause unwanted electromagnetic disturbances in which case you may be required to take adequate mitigation measures.
- Electrical equipment should be installed, operated, serviced, and maintained only by qualified personnel.
- No responsibility is assumed by Schneider Electric for any consequences arising out of the use of this material.

请注意

- 本产品设计为在 IEC 61000-2-3 所述的环境 A 中使用。在环境 B 中使用本产品可能会引发意外的电磁干扰，从而可能需要采取适当的缓解措施。
- 电气设备应仅由经过认证的技术人员进行安装、操作、维护和维修。
- 施耐德电气对因使用本说明而产生的任何后果不承担责任。

⚠️ DANGER / 危险**HAZARD OF ELECTRIC SHOCK, EXPLOSION OR ARC FLASH**

Install the contactor so that the minimum clearance to grounded metal is maintained.
Failure to follow these instructions will result in death or serious injury.

电击、爆炸或弧闪的危险

安装接触器时，应使之与接地金属保持最小间距。
不遵循上述说明将导致人员伤亡。

⚠️ WARNING / 警告**HAZARD OF FLASHOVER BETWEEN PHASES**

The phase separators delivered with the contactor must be installed between the power terminals.

Failure to follow these instructions can result in death, serious injury, or equipment damage.

相间闪络风险

相间隔板必须安装在接触器主回路上使用

不遵循上述说明可能导致人员伤亡或设备损坏。

Documentation / 文档

www.se.com/cn

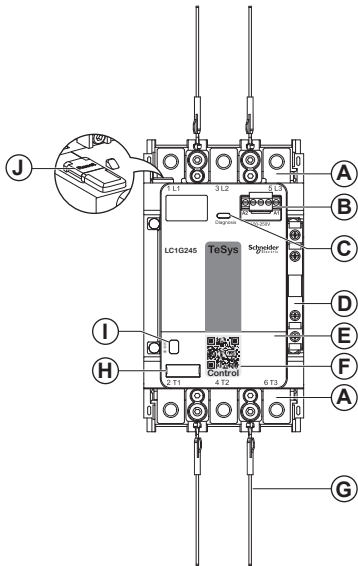


DOCA0191

(en) DOCA0191EN – TeSys Giga Series China - Installation Guide

(zh) DOCA0191ZH – TeSys Giga Series 中国 - 安装指南

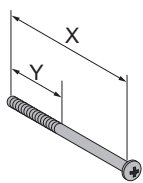
1 Description / 描述



- (en)
- A Power connections
 - B A1-A2 coil terminal
 - C Diagnosis LED
 - D 1NO+1NC auxiliary contacts
 - E Marking flap cover
 - F QR code
 - G Phase separators
 - H Clip-on marker holder
 - I Pole status indicator
 - J Diagnosis reset switch

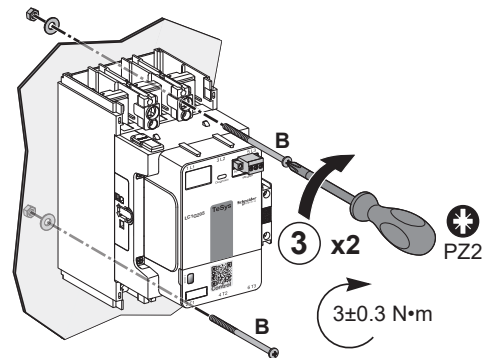
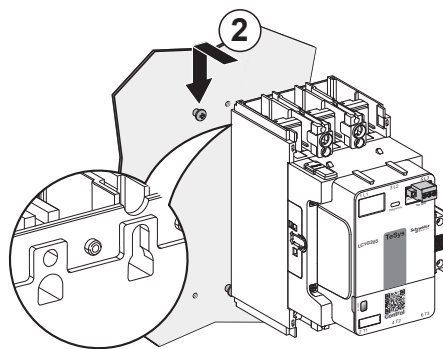
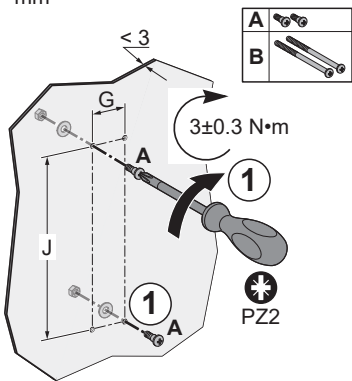
- (zh)
- A 电源连接件
 - B A1-A2 线圈端子
 - C 诊断 LED
 - D 1NO+1NC 辅助触点
 - E 标识翻盖
 - F 二维码
 - G 相间隔板
 - H 标签牌
 - I 电极状态指示灯
 - J 诊断复位开关

2 Mounting on Plate / 底板安装

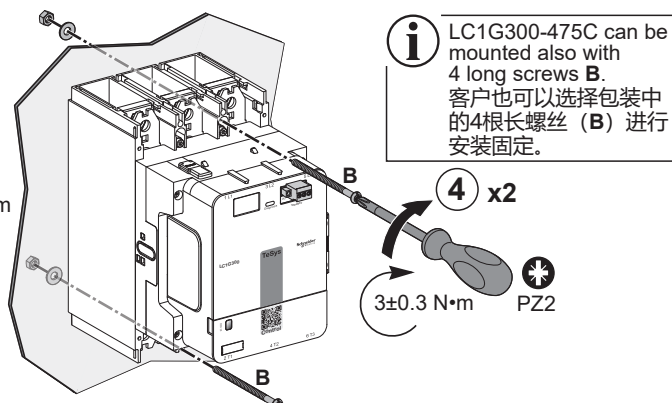
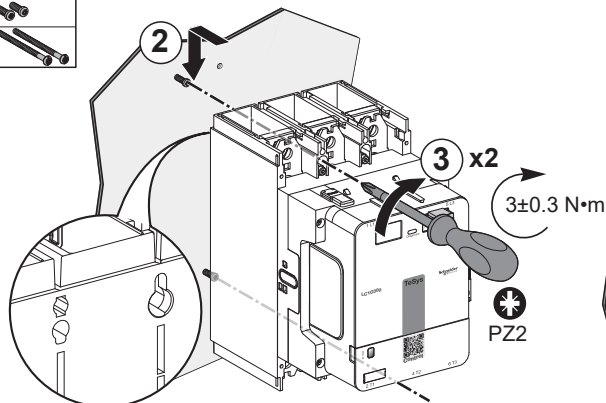
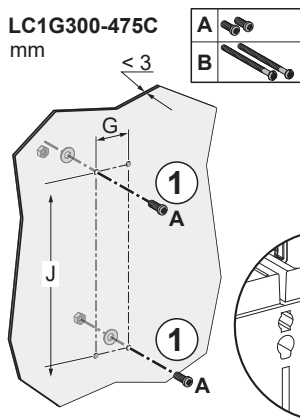


mm	G	J	+	A		B				
				X	Y	X	Y			
LC1G205-245C	3P	35	166	M5	16.5	10.5	PH2	96.5	40	PH2
LC1G300-475C	3P	45	187	M5	16	16	PZ2	85	78.5	PZ2
LC1G620C	3P	70	242	M8	30	30	PH3	130	30	PH3

LC1G205-245C
mm



LC1G300-475C
mm



i LC1G300-475C can be mounted also with 4 long screws B.
客户也可以选择包装中的4根长螺丝(B)进行安装固定。

2 Mounting on Plate / 底板安装

LC1G620C
mm

A

B

1

2

3 x2

3 ± 0.3 N·m

PH3

4 x2

3 ± 0.3 N·m

PH3

i LC1G620C can be mounted also with 4 long screws **B**.
客户也可以选择包装中的4根长螺丝 (**B**) 进行安装固定。

3 Power Connections / 电源连接

i

mm	LC1G205-245C	LC1G300-475C	LC1G620C
A	≤ 25	≤ 32	≤ 50
B	≤ 10	≤ 15	≤ 15
C	≤ 6	3 ≤ ... ≤ 10	3 ≤ ... ≤ 10
∅	9	10.6	13
T	18 ± 1.8 N·m	35 ± 3.5 N·m	58 ± 5.8 N·m
	M8	M10	M12

4 Control Connections / 控制线连接

3.5 mm

0.5 ± 0.05 N·m

	10 mm
	0.2...2.5 mm ²
	0.2...1.5 mm ²
	0.25...0.75 mm ²
	0.25...2.5 mm ²
	0.5...1.0 mm ²

	Fuse (gL)	
	(A)	(Vac)
KUEC	2	250
EHEC	6	250
LSEC	1	600

5 Wiring / 接线

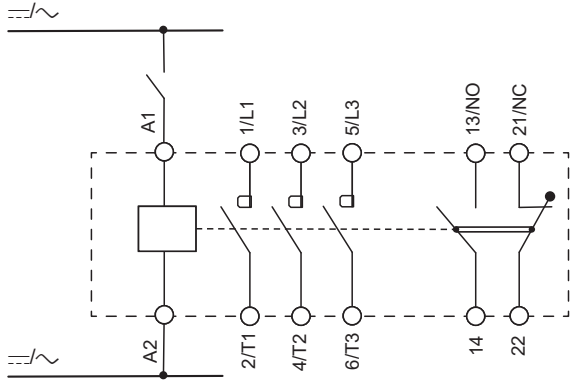
1

2

1.2 ± 0.12 N·m

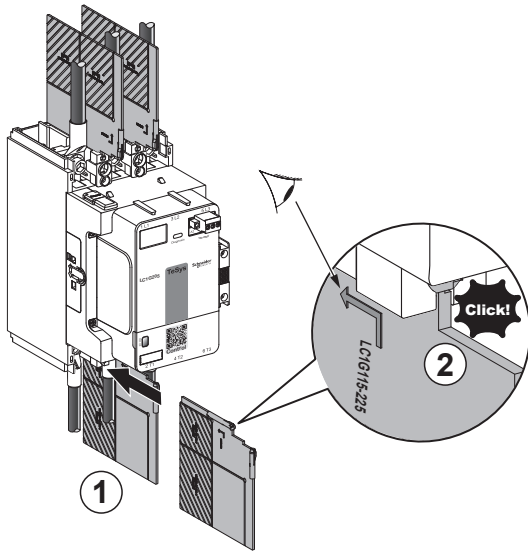
	10 mm
	0.75...2.5 mm ²
	0.75...2.5 mm ²
	0.75...2.5 mm ²

6 Wiring Diagrams / 接线图



7 Phase Separators Installation / 相间隔板安装

LC1G205-245C



LC1G300-620C

