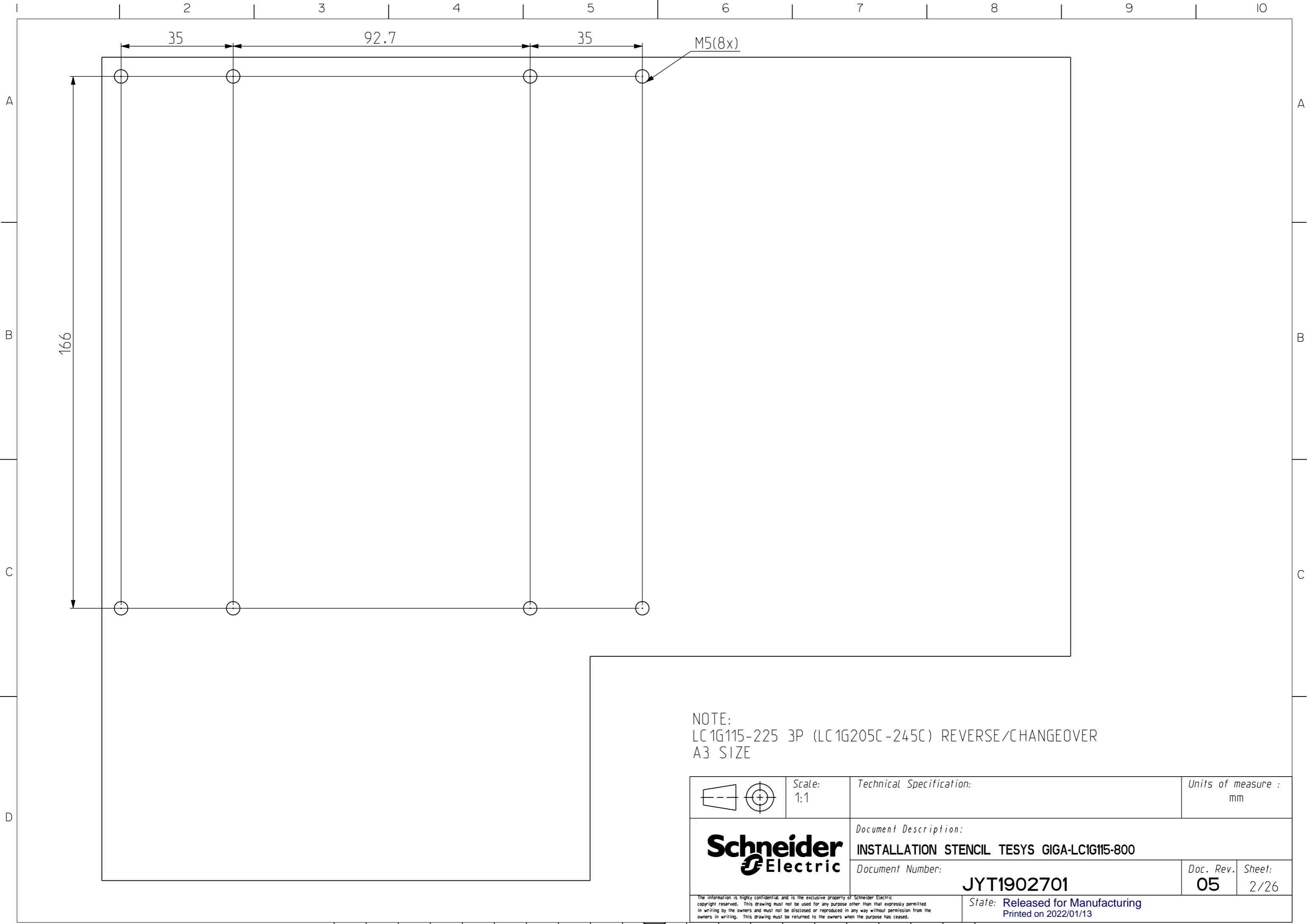


NOTE:
 LC 1G115-225 (LC 1G205C -245C) STARDELTA + LR9G115-225
 A3 SIZE

	Scale: 1:1	Technical Specification:	Units of measure : mm
	Document Description: INSTALLATION STENCIL TESYS GIGA-LC1G115-800		
	Document Number: JYT1902701	Doc. Rev. 05	Sheet: 1/26

The information is highly confidential and is the exclusive property of Schneider Electric copyright reserved. This drawing must not be used for any purpose other than that expressly permitted in writing by the owners and must not be disclosed or reproduced in any way without permission from the owners in writing. This drawing must be returned to the owners when the purpose has ceased.

State: **Released for Manufacturing**
 Printed on 2022/01/13



NOTE:
 LC1G115-225 3P (LC1G205C-245C) REVERSE/CHANGEOVER
 A3 SIZE

	Scale: 1:1	Technical Specification:	Units of measure : mm
		Document Description: INSTALLATION STENCIL TESYS GIGA-LC1G115-800	
		Document Number: JYT1902701	Doc. Rev. Sheet: 05 2/26
<small>The information is highly confidential and is the exclusive property of Schneider Electric copyright reserved. This drawing must not be used for any purpose other than that expressly permitted in writing by the owners and must not be disclosed or reproduced in any way without permission from the owners in writing. This drawing must be returned to the owners when the purpose has ceased.</small>		State: Released for Manufacturing Printed on 2022/01/13	

2

3

4

5

6

7

8

9

10

A

A

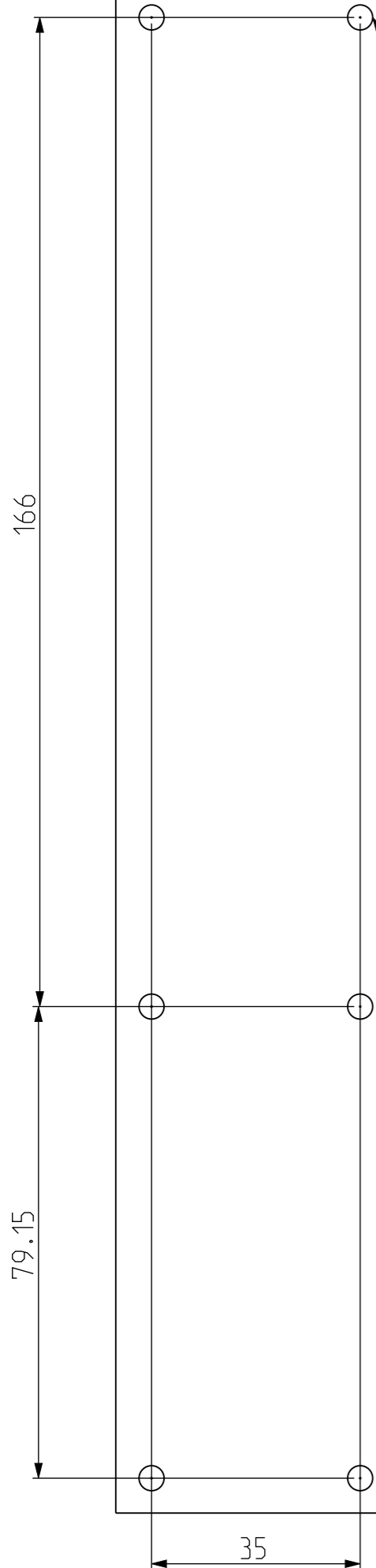
B

B

C

C

D



M5(6X)

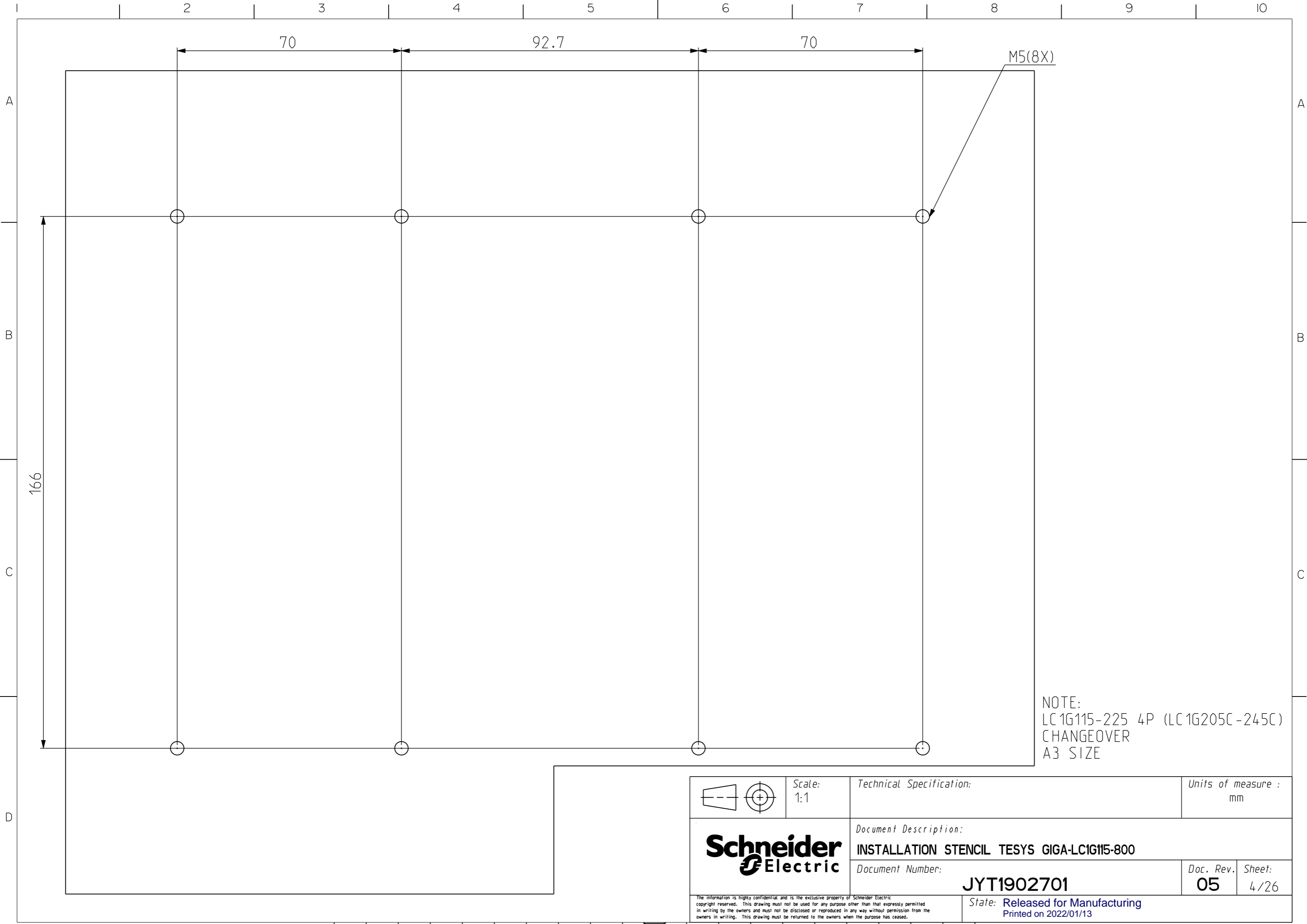
166

79.15

35

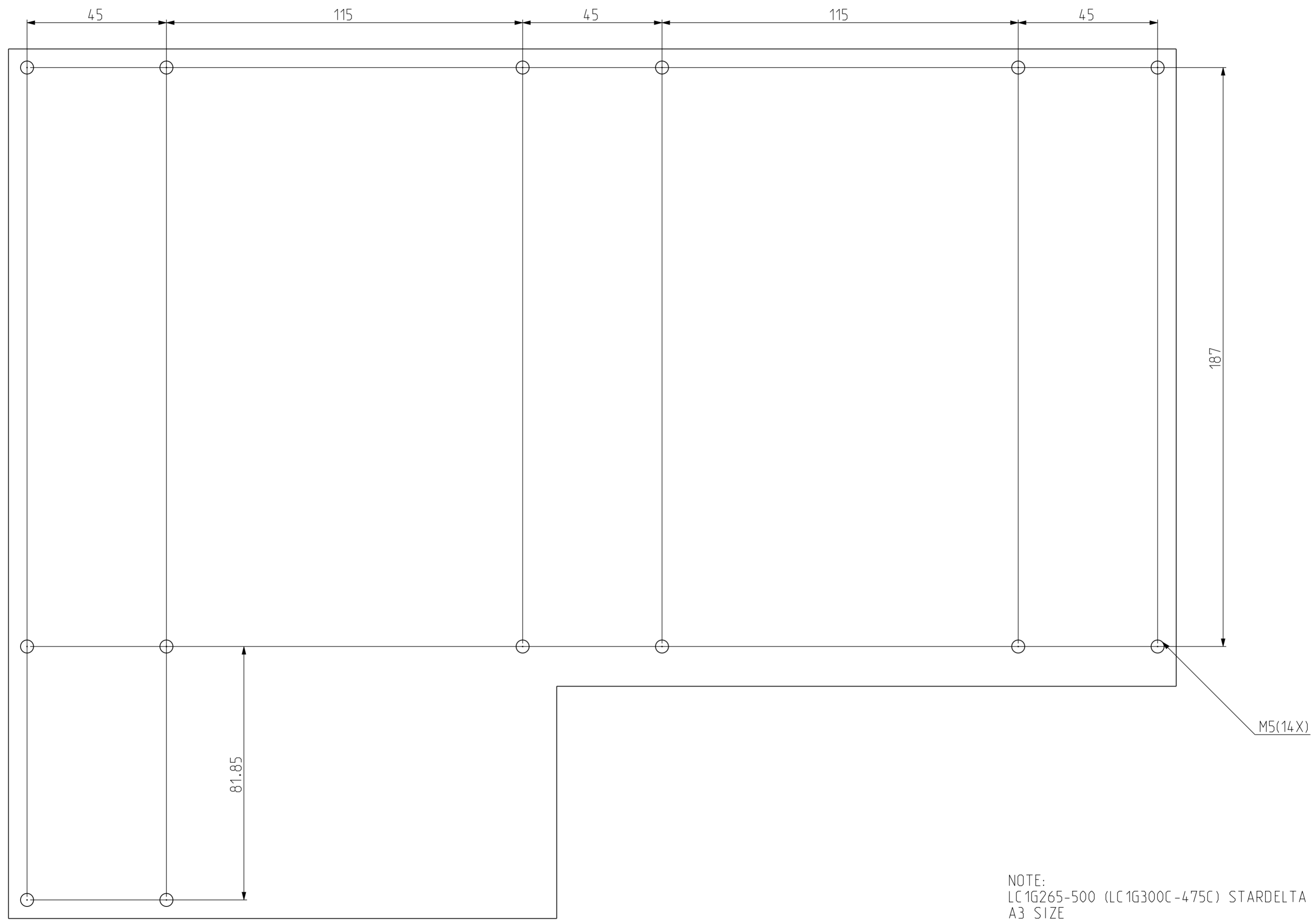
NOTE
 LC 1G115-225 (LC 1G205C-245C) + LR9G115-225 Direct Mounting
 A3 SIZE

	Scale: 1:1	Technical Specification:	Units of measure : mm
		Document Description: INSTALLATION STENCIL TESYS GIGA-LC1G115-800	
		Document Number: JYT1902701	Doc. Rev. Sheet: 05 3/26
<small>The information is highly confidential and is the exclusive property of Schneider Electric copyright reserved. This drawing must not be used for any purpose other than that expressly permitted in writing by the owners and must not be disclosed or reproduced in any way without permission from the owners in writing. This drawing must be returned to the owners when the purpose has ceased.</small>		State: Released for Manufacturing Printed on 2022/01/13	



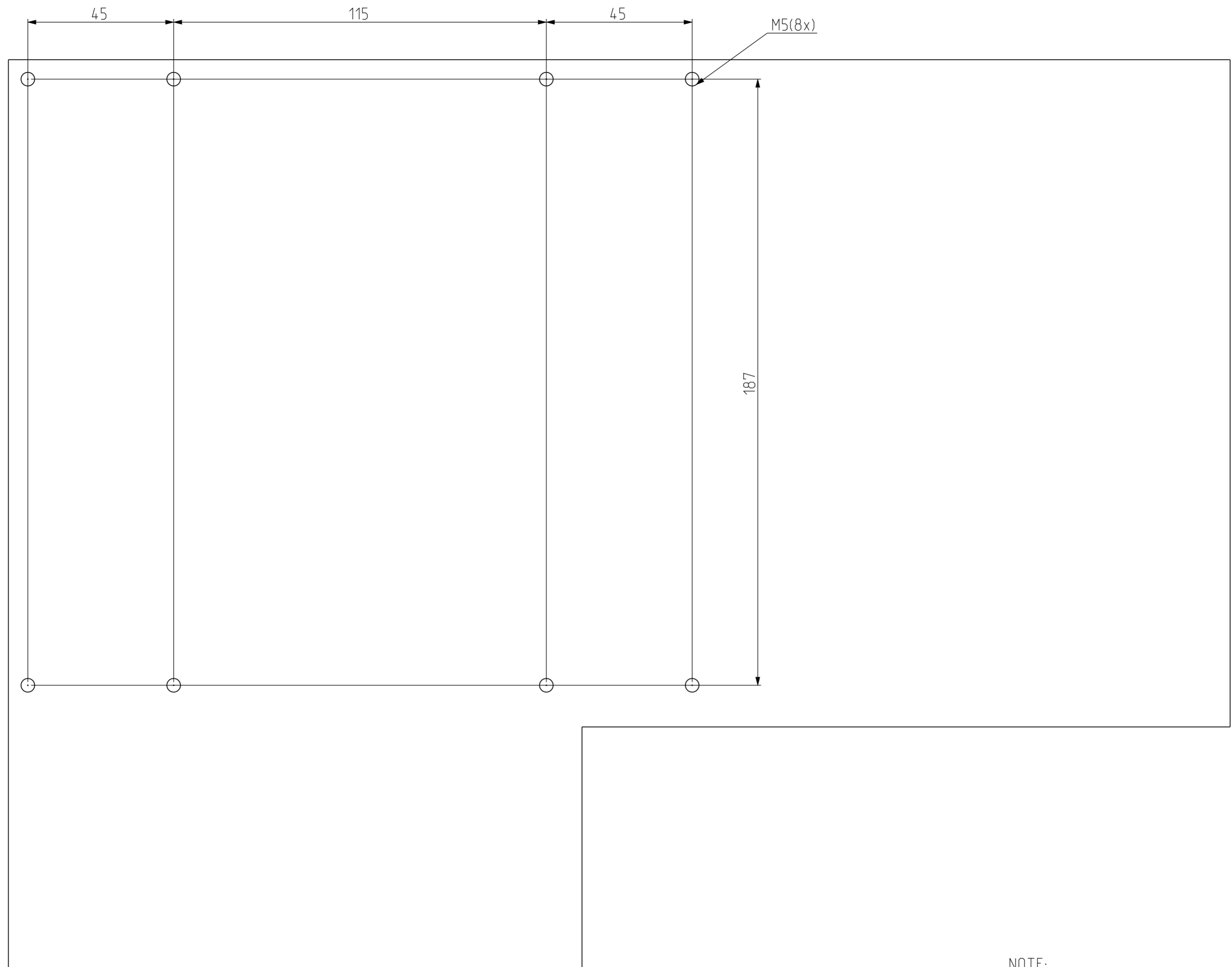
NOTE:
 LC 1G115-225 4P (LC 1G205C-245C)
 CHANGEOVER
 A3 SIZE

	Scale: 1:1	Technical Specification:	Units of measure : mm
		Document Description: INSTALLATION STENCIL TESYS GIGA-LC1G115-800	
		Document Number: JYT1902701	Doc. Rev. Sheet: 05 4/26
<small>The information is highly confidential and is the exclusive property of Schneider Electric copyright reserved. This drawing must not be used for any purpose other than that expressly permitted in writing by the owners and must not be disclosed or reproduced in any way without permission from the owners in writing. This drawing must be returned to the owners when the purpose has ceased.</small>		State: Released for Manufacturing Printed on 2022/01/13	



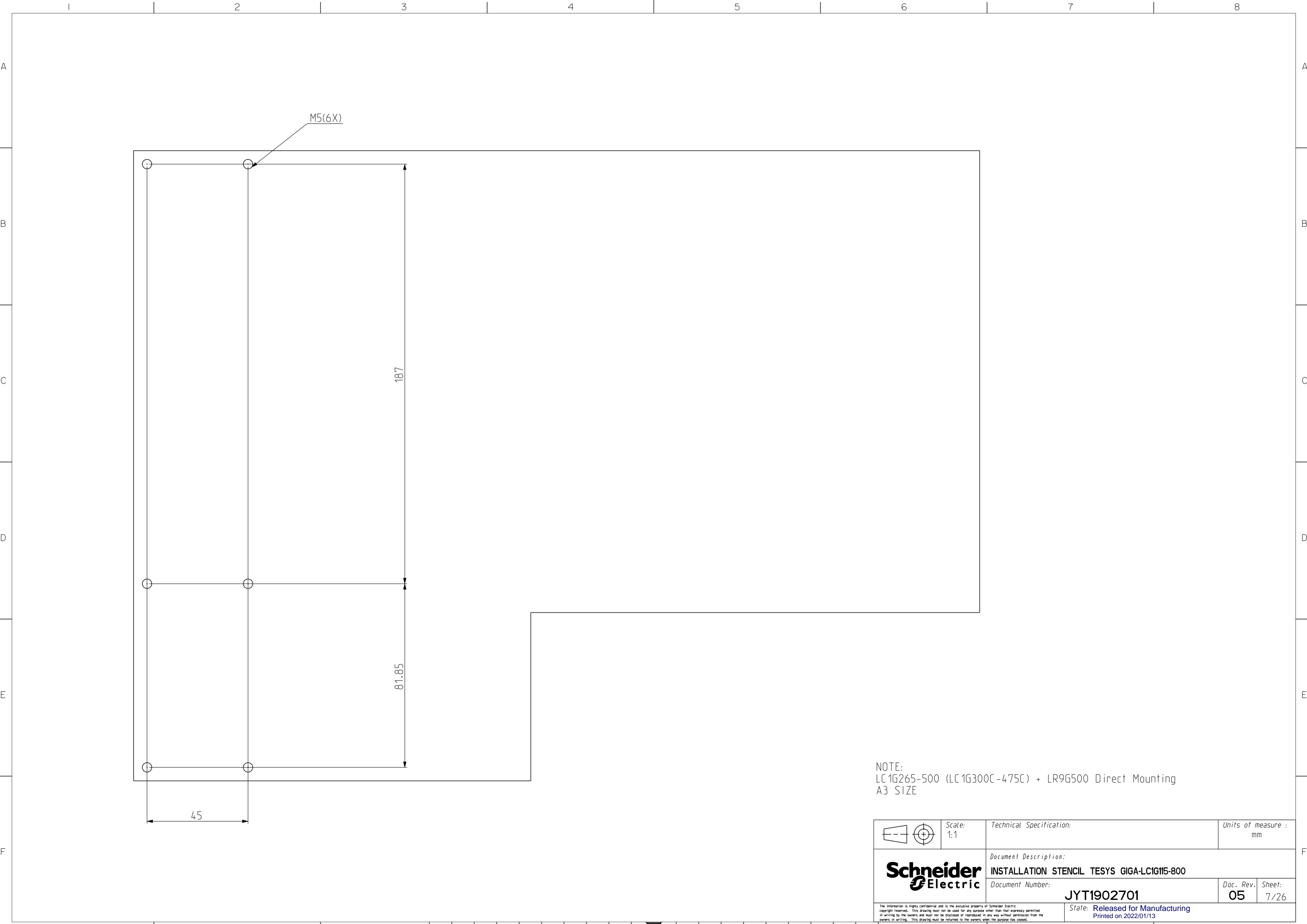
NOTE:
 LC 1G265-500 (LC1G300C-475C) STARDELTA + LR9G500 Direct Mounting
 A3 SIZE

	Scale: 1:1	Technical Specification:	Units of measure : mm
		Document Description: INSTALLATION STENCIL TESYS GIGA-LCIG115-800	
		Document Number: JYT1902701	Doc. Rev. Sheet: 05 5/26
<small>The information is highly confidential and is the exclusive property of Schneider Electric. Copyright reserved. This drawing must not be used for any purpose other than that expressly permitted in writing by the owners and must not be disclosed or reproduced in any way without permission from the owners in writing. This drawing must be returned to the owners when the purpose has ceased.</small>		State: Released for Manufacturing Printed on 2022/01/13	



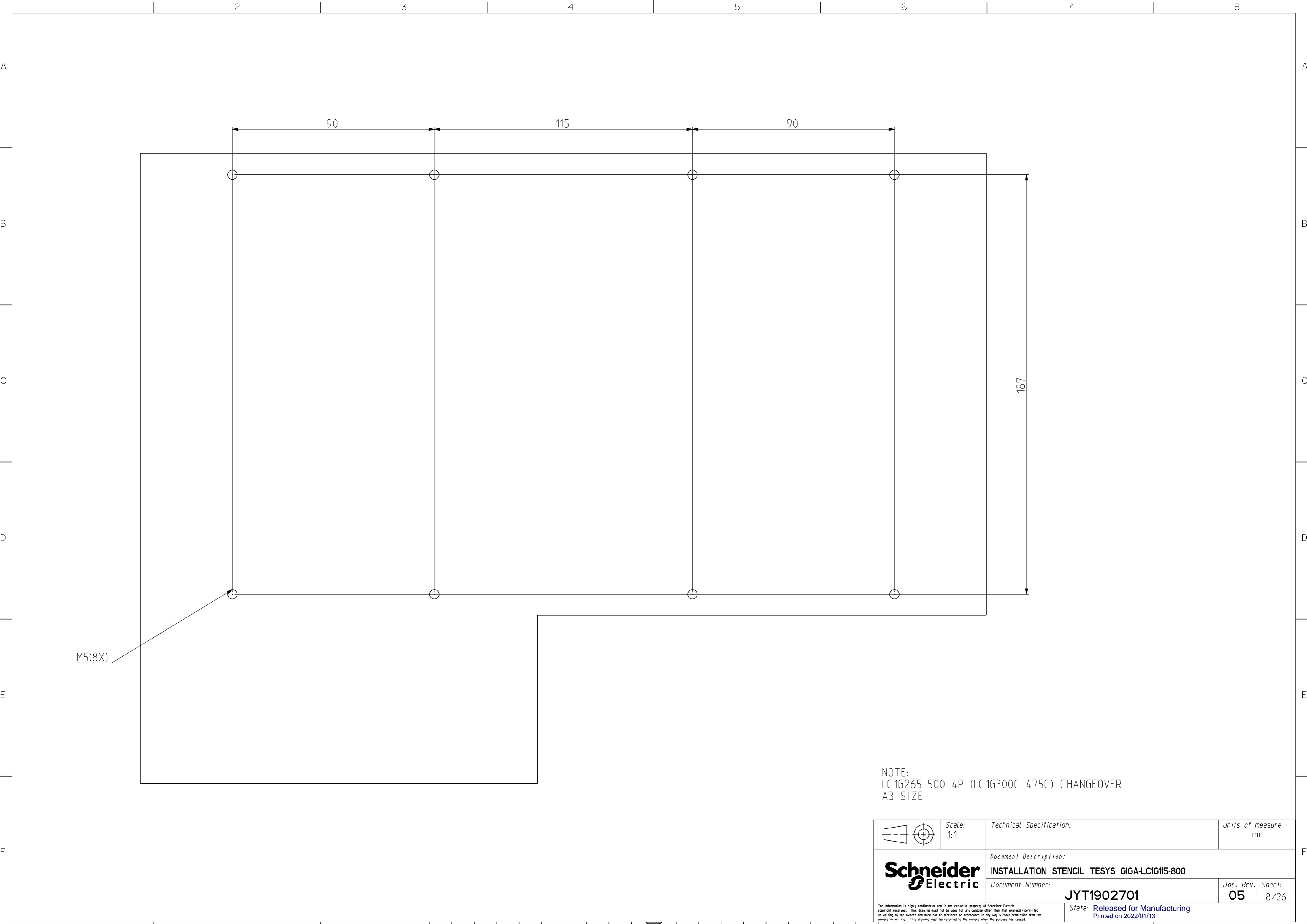
NOTE:
 LC1G265-500 3P (LC1G300C-475C) REVERSE/CHANGEOVER
 A3 SIZE

	Scale: 1:1	Technical Specification:	Units of measure : mm
		Document Description: INSTALLATION STENCIL TESYS GIGA-LCIG115-800	
Document Number:		JYT1902701	Doc. Rev. Sheet: 05 6/26
<small>The information is highly confidential and is the exclusive property of Schneider Electric. Copyright reserved. This drawing must not be used for any purpose other than that expressly permitted in writing by the owners and must not be disclosed or reproduced in any way without permission from the owners in writing. This drawing must be returned to the owners when the purpose has ceased.</small>		State: Released for Manufacturing Printed on 2022/01/13	



NOTE:
 LC1G265-500 (LC1G300C-475C) + LR9G500 Direct Mounting
 A3 SIZE

	Scale: 1:1	Technical Specification:	Units of measure : mm
		Document Description: INSTALLATION STENCIL TESYS GIGA-LCIG115-800	
Document Number:		JYT1902701	Doc. Rev. Sheet: 05 7/26
<small>The information is highly confidential and is the exclusive property of Schneider Electric. Copyright reserved. This drawing must not be used for any purpose other than that expressly permitted in writing by the owners and must not be disclosed or reproduced in any way without permission from the owners in writing. This drawing must be returned to the owners when the purpose has ceased.</small>		State: Released for Manufacturing Printed on 2022/01/13	



M5(8X)

90

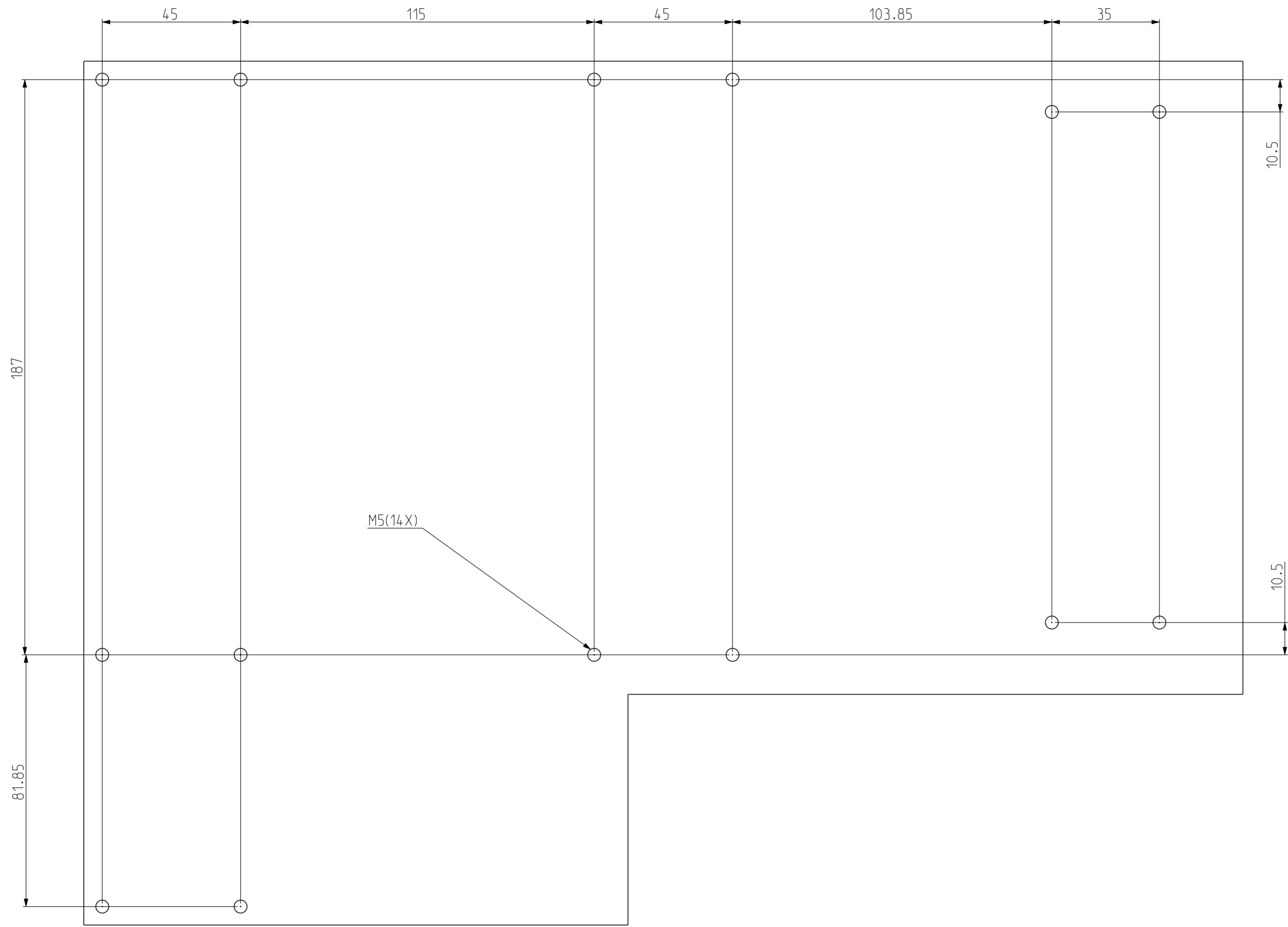
115

90

187

NOTE:
 LC1G265-500 4P (LC1G300C-475C) CHANGEVER
 A3 SIZE

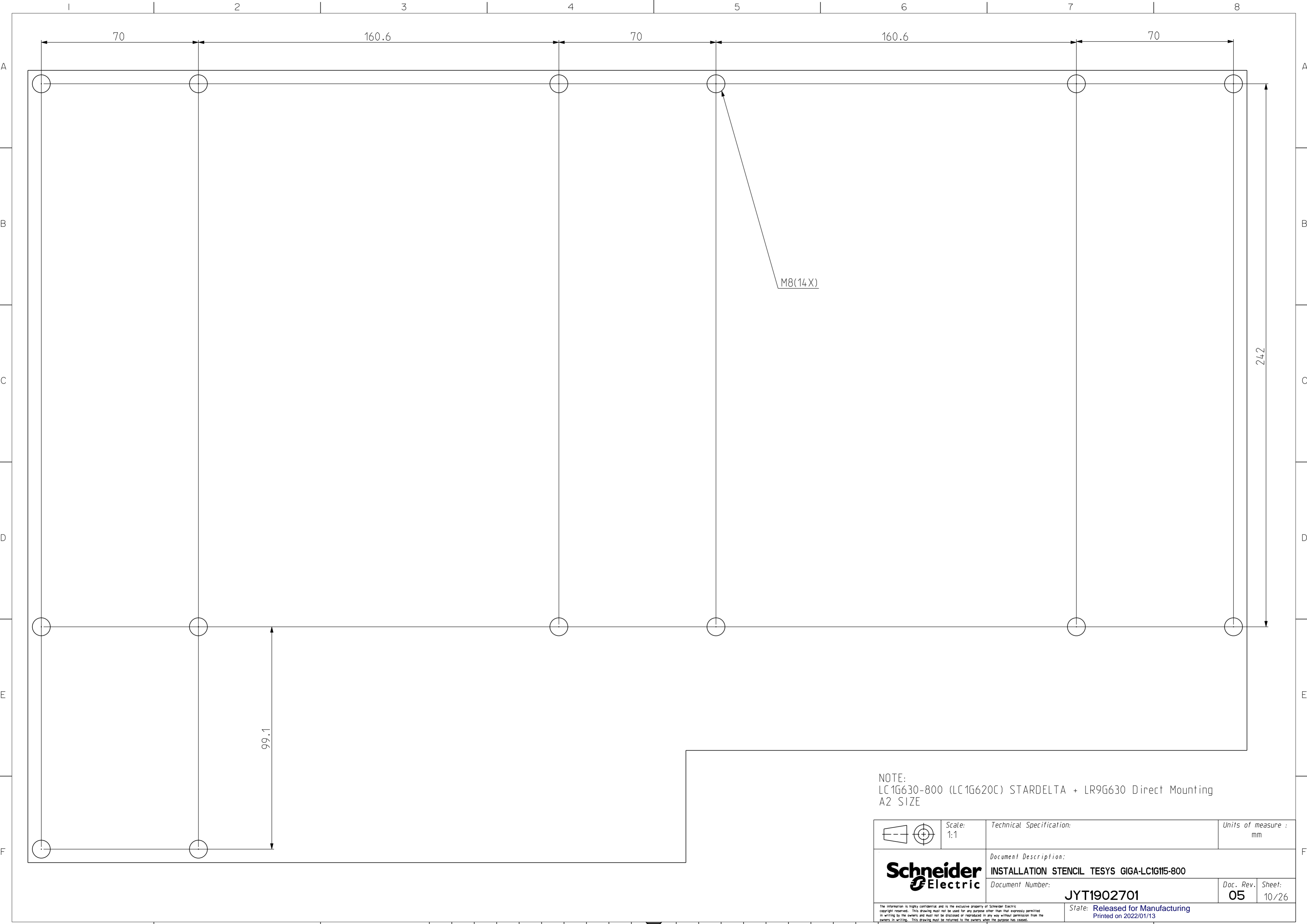
	Scale: 1:1	Technical Specification:	Units of measure : mm
		Document Description: INSTALLATION STENCIL TESYS GIGA-LCIG115-800	
		Document Number: JYT1902701	Doc. Rev. Sheet: 05 8/26
<small>The information is highly confidential and is the exclusive property of Schneider Electric. Copyright reserved. This drawing must not be used for any purpose other than that expressly permitted in writing by the owners and must not be disclosed or reproduced in any way without permission from the owners in writing. This drawing must be returned to the owners when the purpose has ceased.</small>		State: Released for Manufacturing Printed on 2022/01/13	



M5(14X)

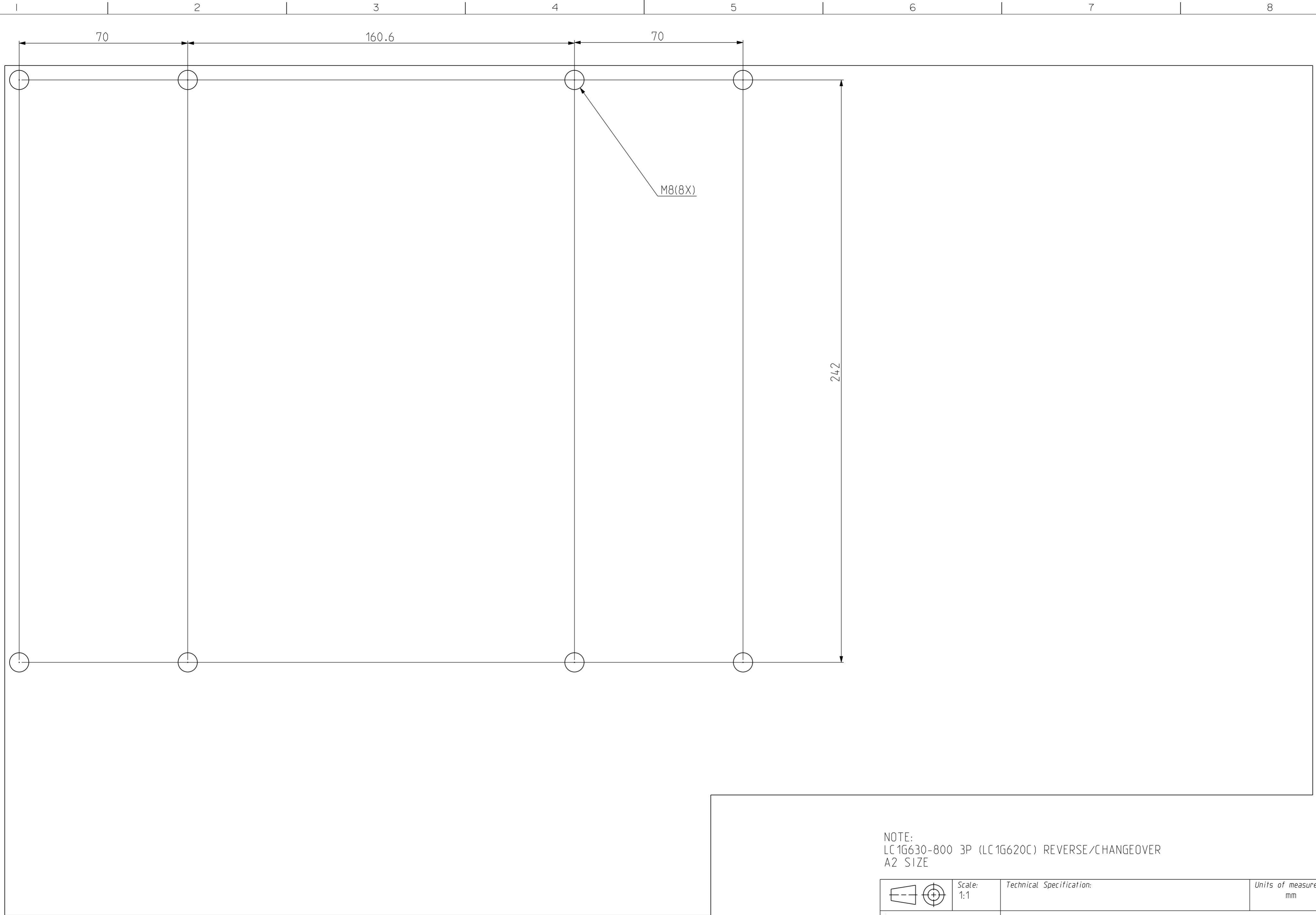
NOTE:
 LC1G265-500 (LC1G300C-475C) AND LC1G115-225 (LC1G205C-245C) STARDELTA + LR9G500 Direct Mounting
 A3 SIZE

	Scale: 1:1	Technical Specification:	Units of measure : mm
		Document Description: INSTALLATION STENCIL TESYS GIGA-LCIG115-800	
Document Number:		JYT1902701	Doc. Rev. Sheet: 05 9/26
<small>The information is highly confidential and is the exclusive property of Schneider Electric. copyright reserved. This drawing must not be used for any purpose other than that expressly permitted in writing by the owners and must not be disclosed or reproduced in any way without permission from the owners in writing. This drawing must be returned to the owners when the purpose has ceased.</small>		State: Released for Manufacturing Printed on 2022/01/13	



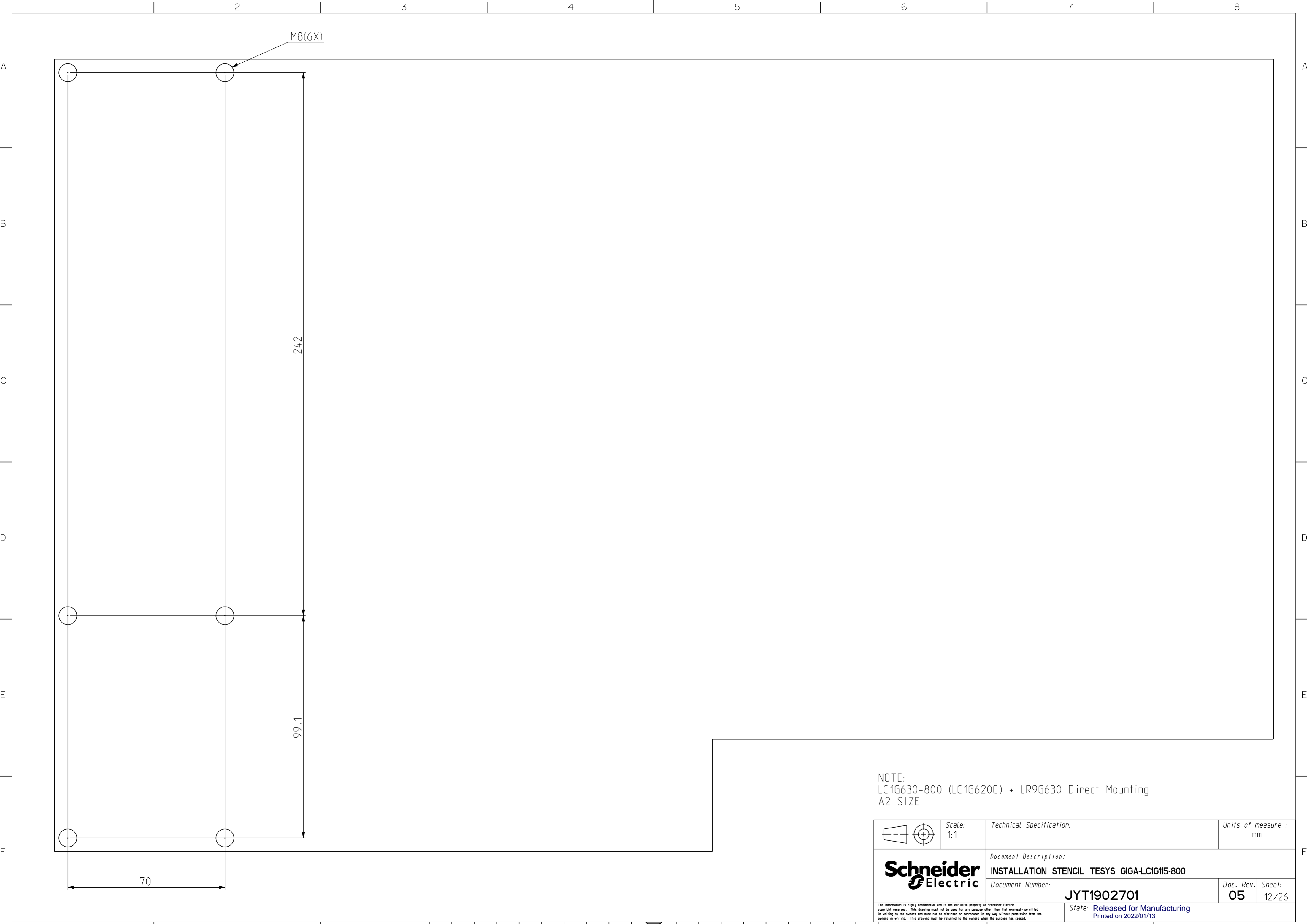
NOTE:
 LC1G630-800 (LC1G620C) STARDELTA + LR9G630 Direct Mounting
 A2 SIZE

	Scale: 1:1	Technical Specification:	Units of measure : mm
		Document Description: INSTALLATION STENCIL TESYS GIGA-LCIG115-800	
		Document Number: JYT1902701	Doc. Rev. Sheet: 05 10/26
<small>The information is highly confidential and is the exclusive property of Schneider Electric. Copyright reserved. This drawing must not be used for any purpose other than that expressly permitted in writing by the owners and must not be disclosed or reproduced in any way without permission from the owners in writing. This drawing must be returned to the owners when the purpose has ceased.</small>		State: Released for Manufacturing Printed on 2022/01/13	



NOTE:
 LC 1G630-800 3P (LC 1G620C) REVERSE/CHANGEOVER
 A2 SIZE

	Scale: 1:1	Technical Specification:	Units of measure : mm
		Document Description: INSTALLATION STENCIL TESYS GIGA-LCIG115-800	
<small>The information is highly confidential and is the exclusive property of Schneider Electric. Copyright reserved. This drawing must not be disclosed or reproduced in any way without permission from the owners in writing. This drawing must be returned to the owners when the purpose has ceased.</small>		Document Number: JYT1902701	Doc. Rev. Sheet: 05 11/26
<small>The information is highly confidential and is the exclusive property of Schneider Electric. Copyright reserved. This drawing must not be disclosed or reproduced in any way without permission from the owners in writing. This drawing must be returned to the owners when the purpose has ceased.</small>		State: Released for Manufacturing Printed on 2022/01/13	



M8(6X)

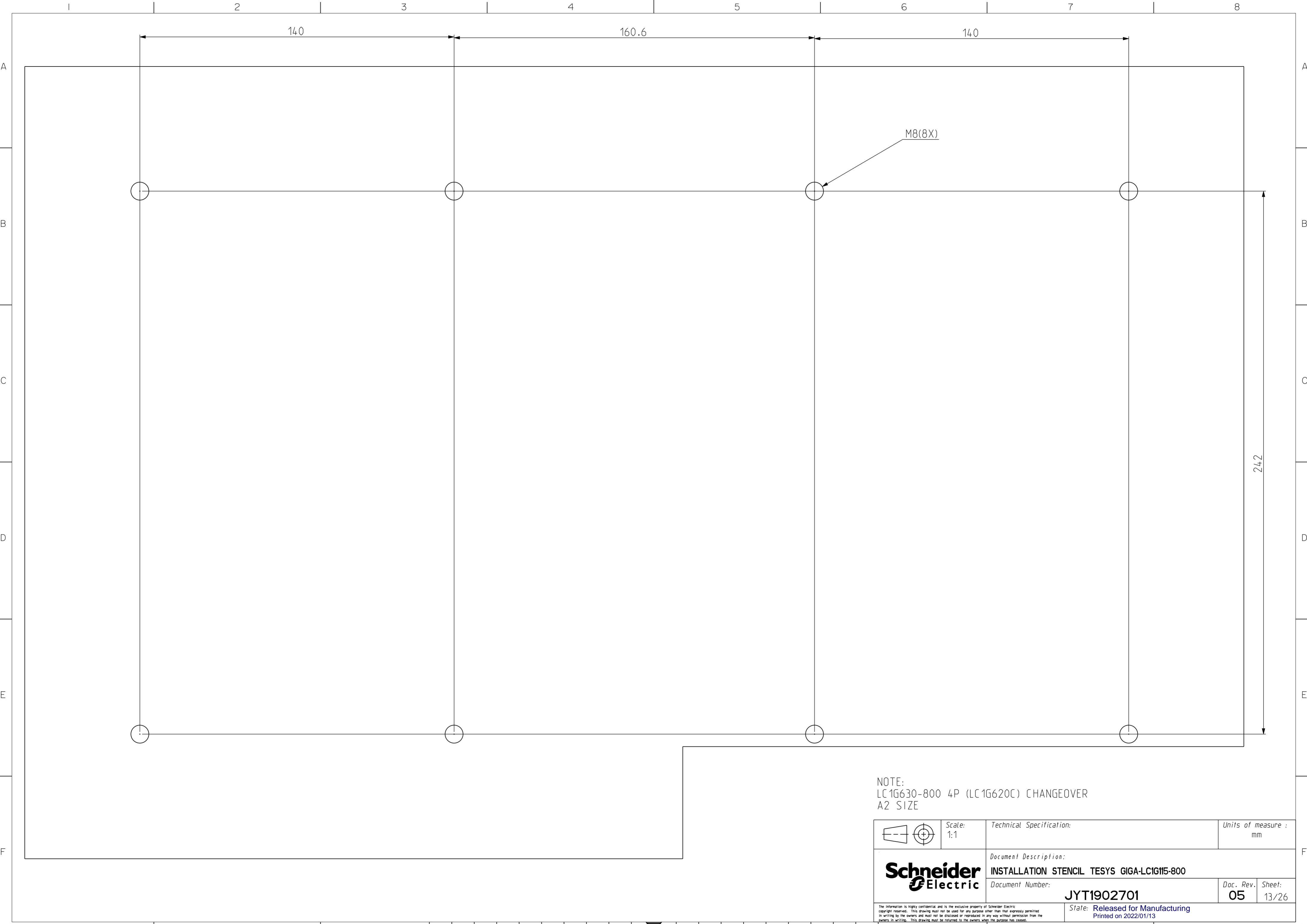
242

99.1

70

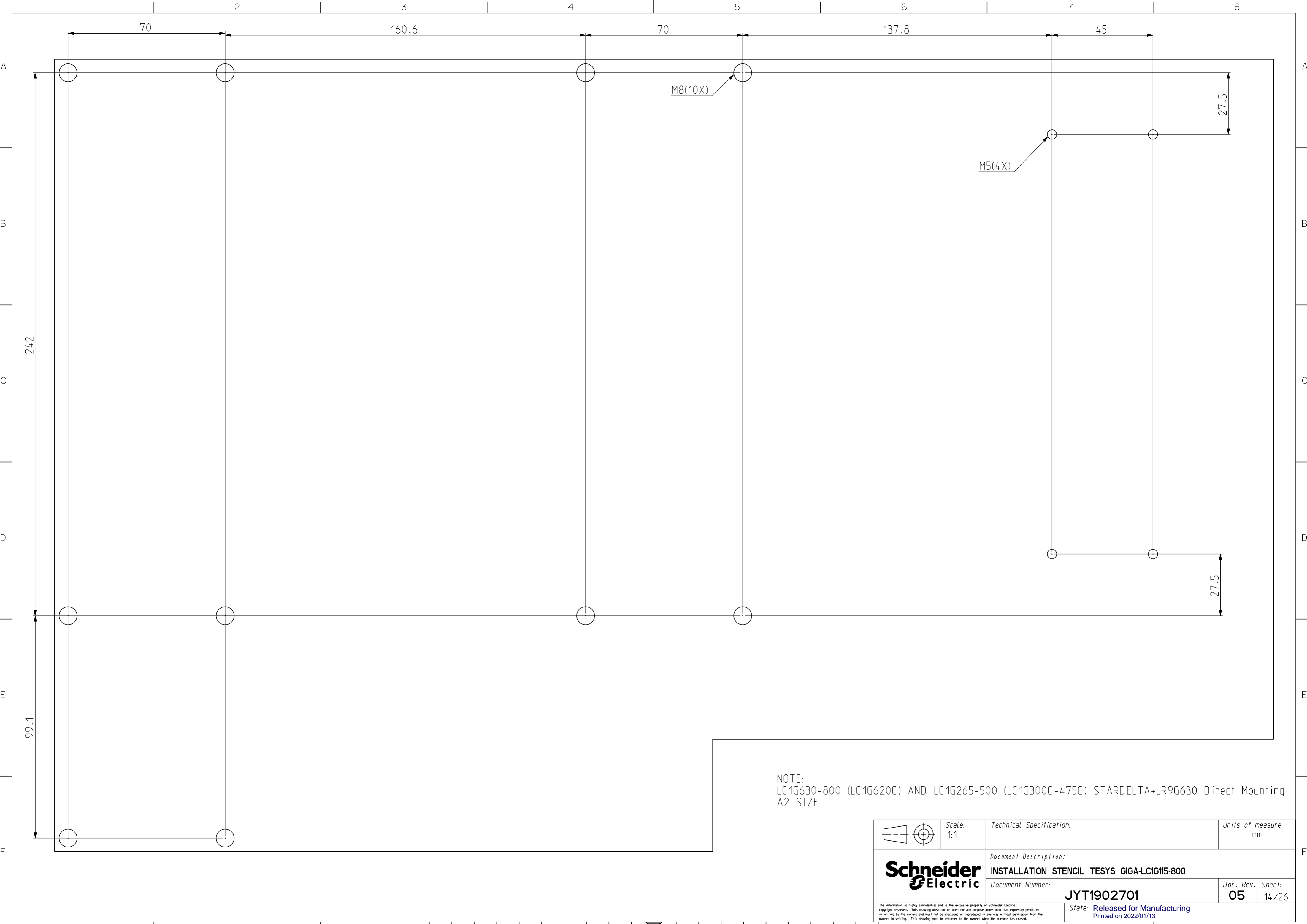
NOTE:
 LC1G630-800 (LC1G620C) + LR9G630 Direct Mounting
 A2 SIZE

	Scale: 1:1	Technical Specification:	Units of measure : mm
		Document Description: INSTALLATION STENCIL TESYS GIGA-LCIG115-800	
Document Number:		JYT1902701	Doc. Rev. Sheet: 05 12/26
<small>The information is highly confidential and is the exclusive property of Schneider Electric. Copyright reserved. This drawing must not be disclosed or reproduced in any way without permission from the owners in writing. This drawing must be returned to the owners when the purpose has ceased.</small>		State: Released for Manufacturing Printed on 2022/01/13	



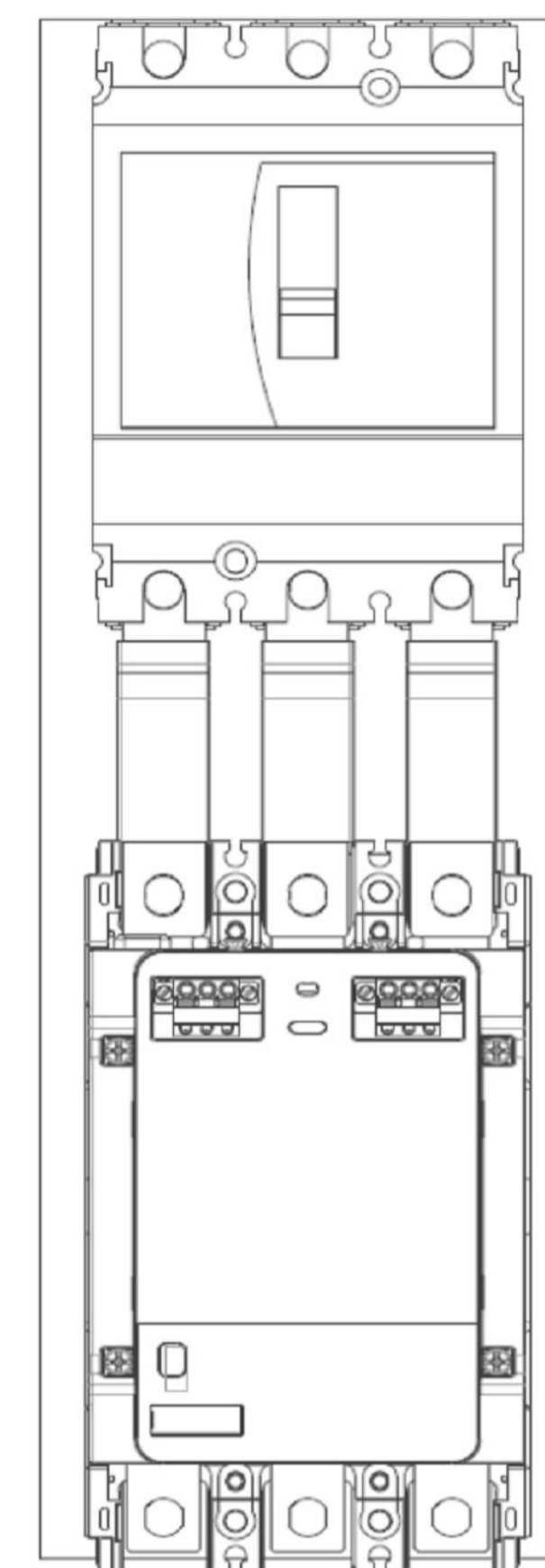
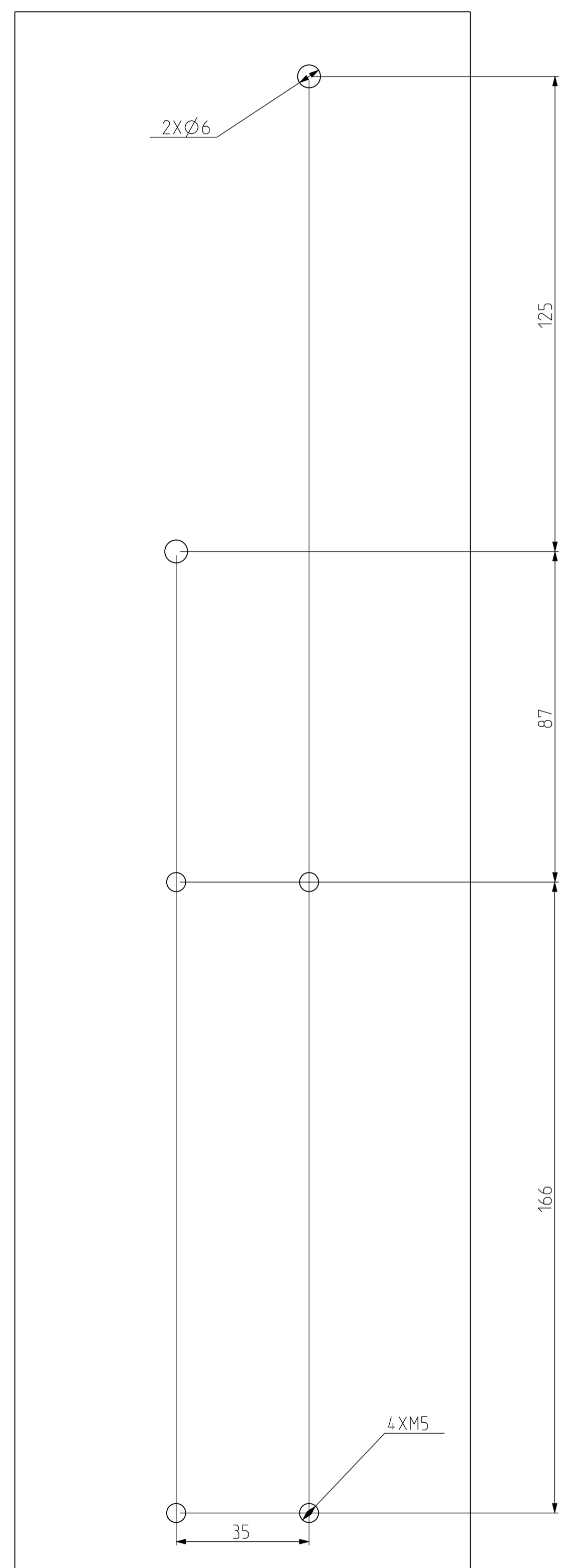
NOTE:
 LC 1G630-800 4P (LC 1G620C) CHANGEOVER
 A2 SIZE

	Scale: 1:1	Technical Specification:	Units of measure : mm
		Document Description: INSTALLATION STENCIL TESYS GIGA-LC1G115-800	
Document Number:		JYT1902701	Doc. Rev. Sheet: 05 13/26
<small>The information is highly confidential and is the exclusive property of Schneider Electric. Copyright reserved. This drawing must not be used for any purpose other than that expressly permitted in writing by the owners and must not be disclosed or reproduced in any way without permission from the owners in writing. This drawing must be returned to the owners when the purpose has ceased.</small>		State: Released for Manufacturing Printed on 2022/01/13	



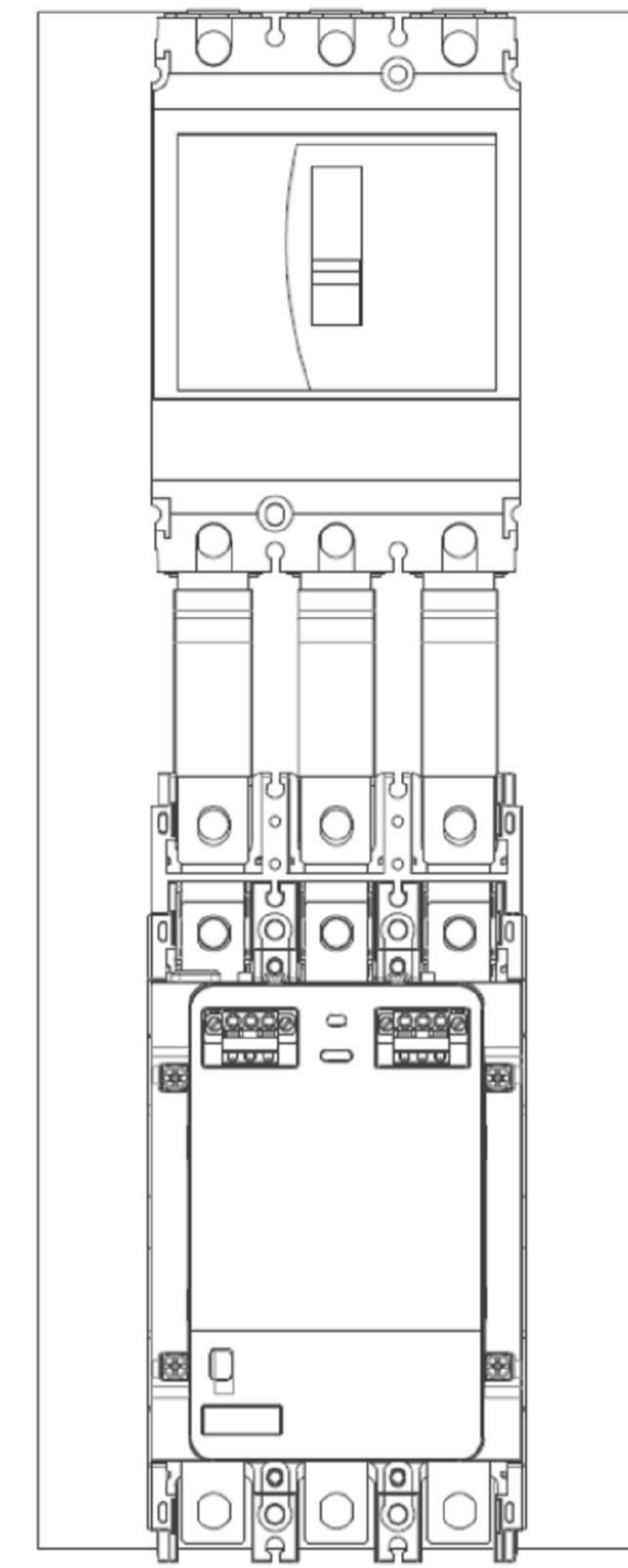
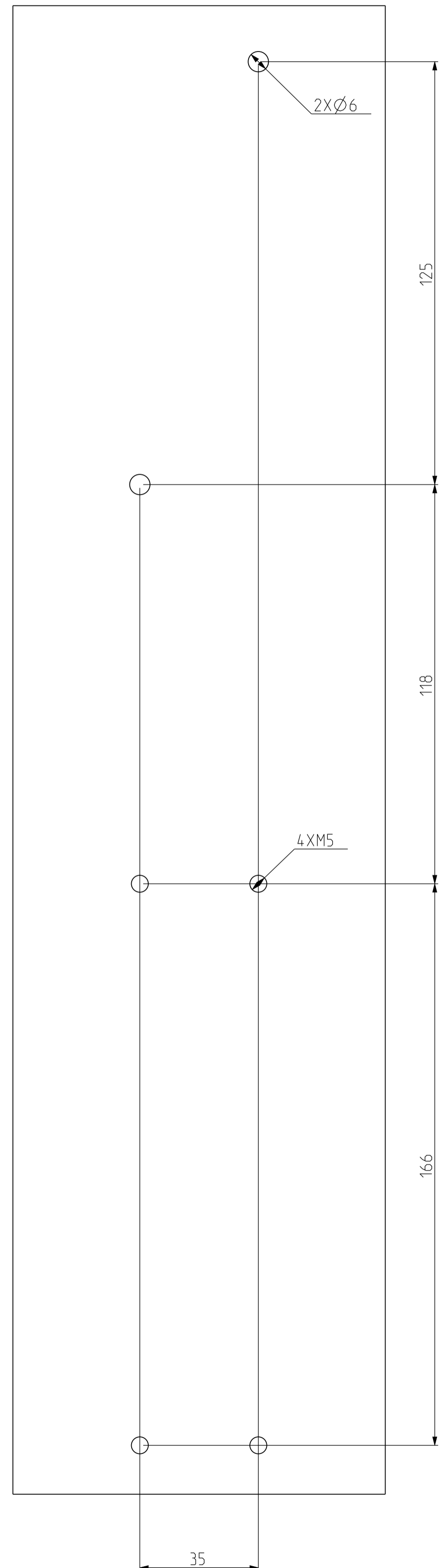
NOTE:
 LC 1G630-800 (LC 1G620C) AND LC 1G265-500 (LC 1G300C-475C) STARDELTA+LR9G630 Direct Mounting
 A2 SIZE

	Scale: 1:1	Technical Specification:	Units of measure : mm
		Document Description: INSTALLATION STENCIL TESYS GIGA-LCIG115-800	
Document Number:		JYT1902701	Doc. Rev. Sheet: 05 14/26
<small>The information is highly confidential and is the exclusive property of Schneider Electric. Copyright reserved. This drawing must not be used for any purpose other than that expressly permitted in writing by the owners and must not be disclosed or reproduced in any way without permission from the owners in writing. This drawing must be returned to the owners when the purpose has ceased.</small>		State: Released for Manufacturing Printed on 2022/01/13	



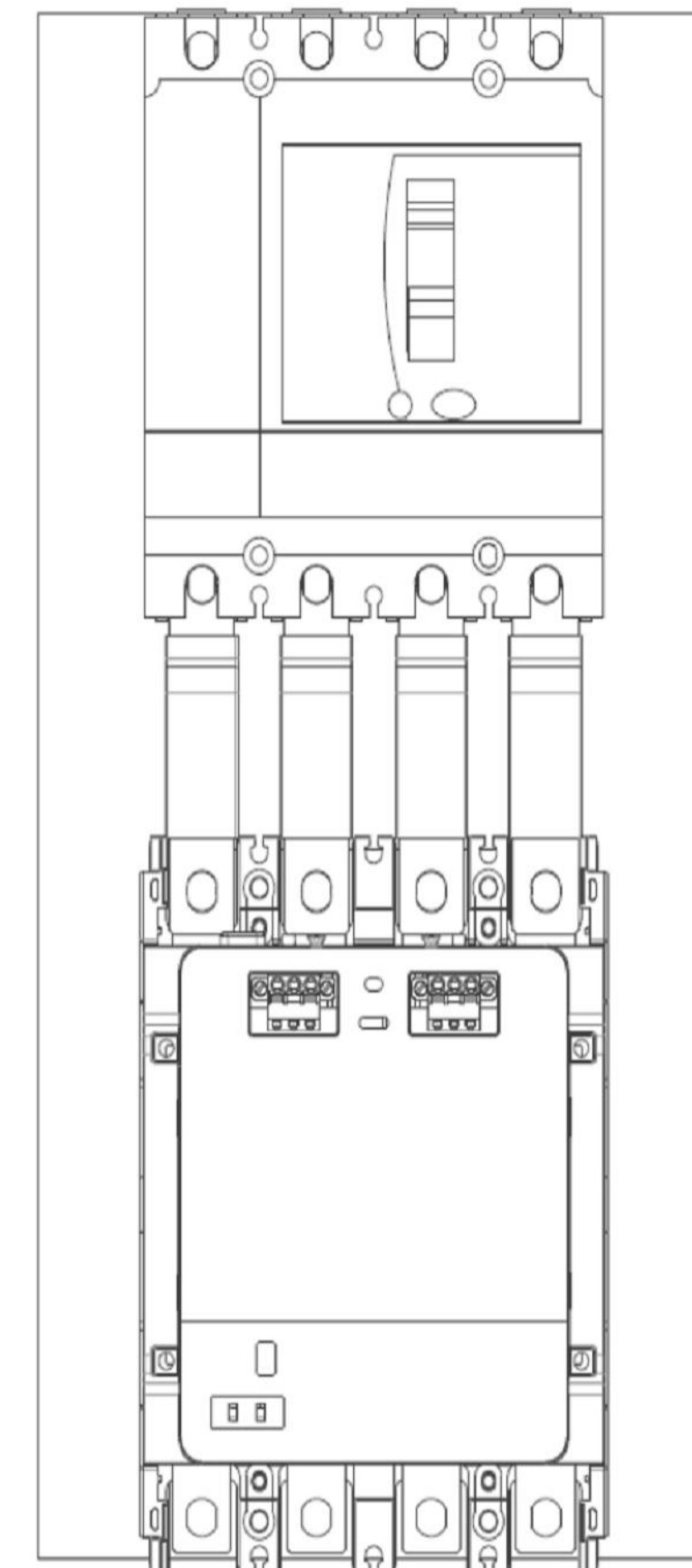
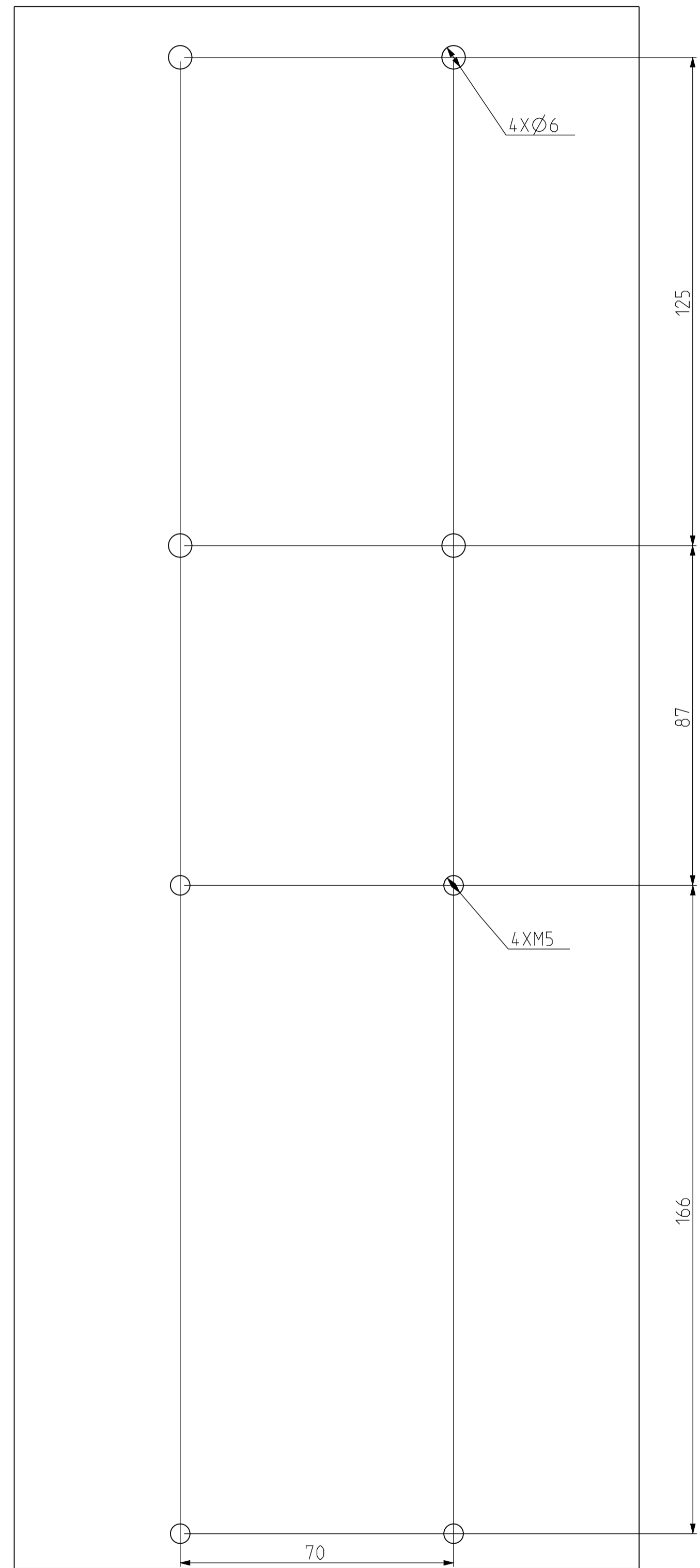
Installation Note
 NSX100-250 - Flexible bar - LC1G115-225 3P (LC1G205C-245C 3P)

	Scale: 1:1	Technical Specification:	Units of measure: mm
	Document Description: INSTALLATION STENCIL TESYS GIGA-LC1G115-800		
Document Number: JYT1902701		Doc. Rev. 05	Sheet: 15/26
<small>The information is highly confidential and is the exclusive property of Schneider Electric. It is not to be disclosed or reproduced in any way without permission from the company. All rights reserved.</small>			State: Released for Manufacturing Printed on 2022/01/13



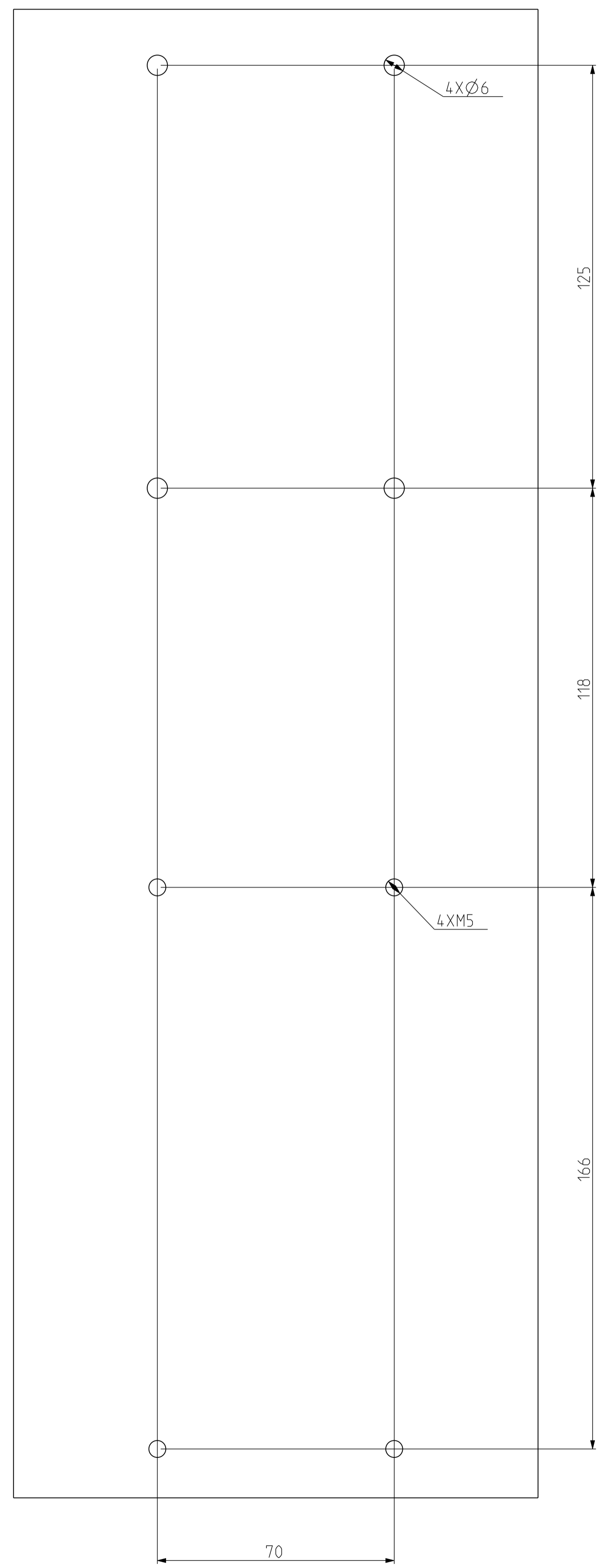
Installation Note
 NSX100-250 - Flexible bar - Cable memory - LC1G115-225 3P (LC1G205-245C 3P)

		Scale: 1:1	Technical Specification:	Units of measure: mm
	Document Description: INSTALLATION STENCIL TESYS GIGA-LCIG115-800			
Document Number: JYT1902701			Doc. Rev.: 05	Sheet: 16/26
<small>The information is highly confidential and is the exclusive property of Schneider Electric. Copyright reserved. This drawing may not be used for any purpose other than that expressly permitted in writing by the owners and may not be disclosed or reproduced in any way without permission from the owners in writing. This drawing may be returned to the owners when the purchase has ceased.</small>				State: Released for Manufacturing Printed on 2022/01/13

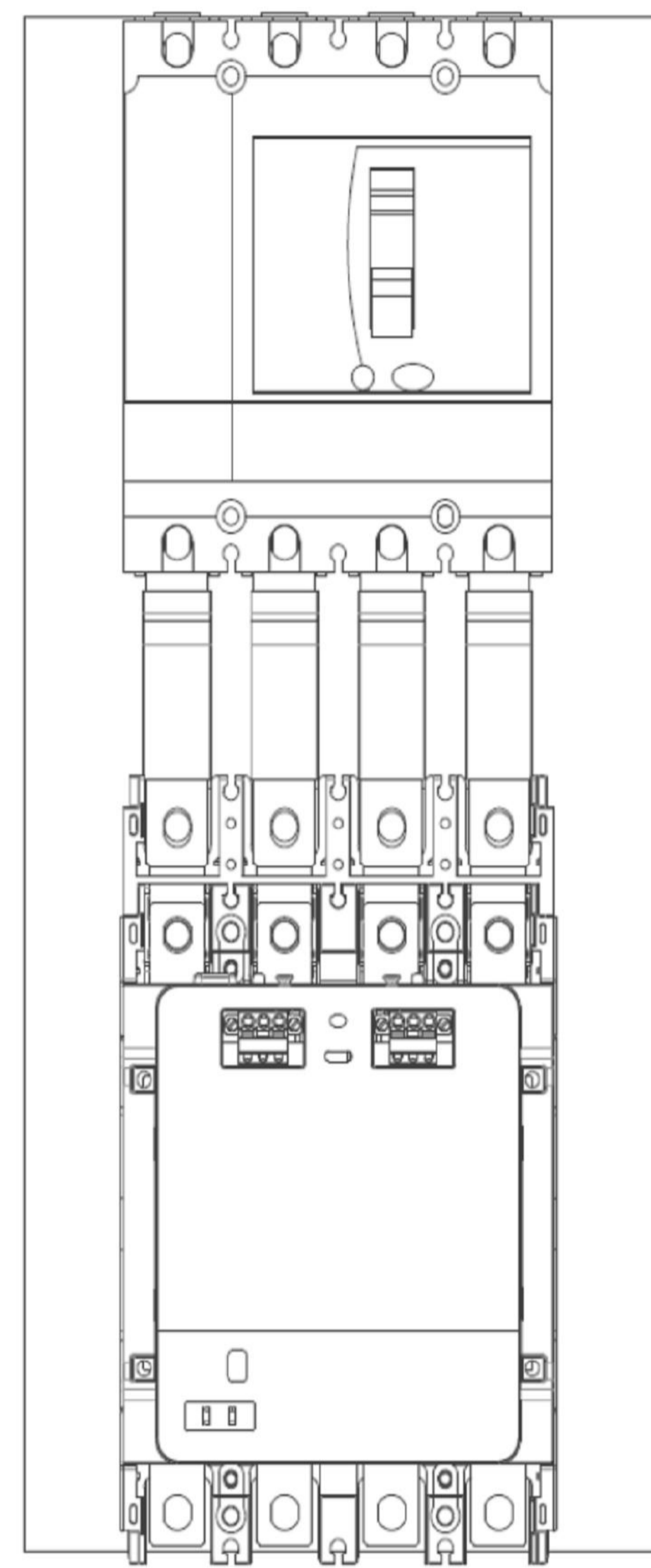


Installation Note
NSX100-250 - Flexible bar - LC1G115-225 4P

	Scale: 1:1	Technical Specification:	Units of measure: mm
	Document Description: INSTALLATION STENCIL TESYS GIGA-LC1G115-800		
	Document Number: JYT1902701	Doc. Rev. 05	Sheet: 17/26
<small>The information is highly confidential and is the exclusive property of Schneider Electric. It is not to be disclosed or reproduced in any way without permission from the company. This drawing shall be returned to the company when the project has ended.</small>			State: Released for Manufacturing Printed on 2022/01/13

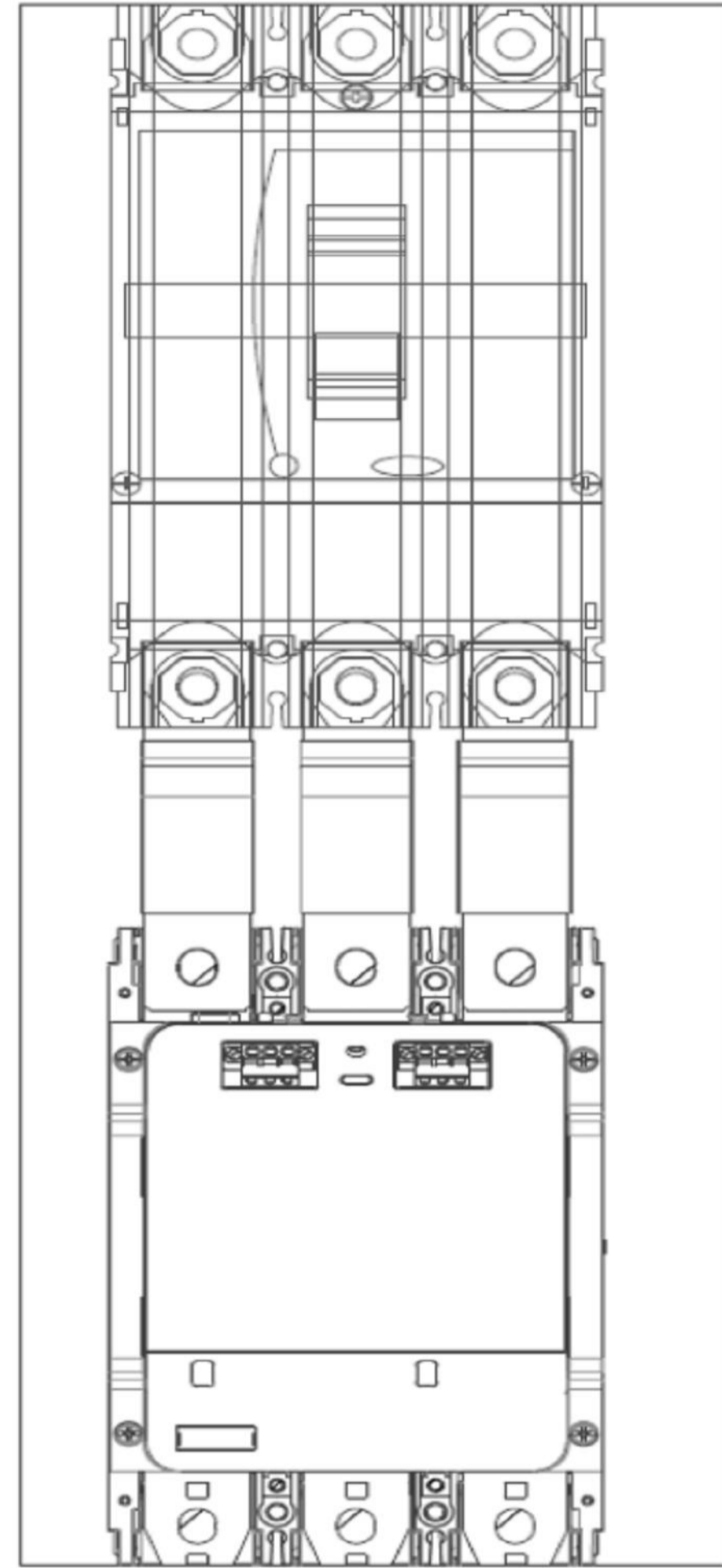
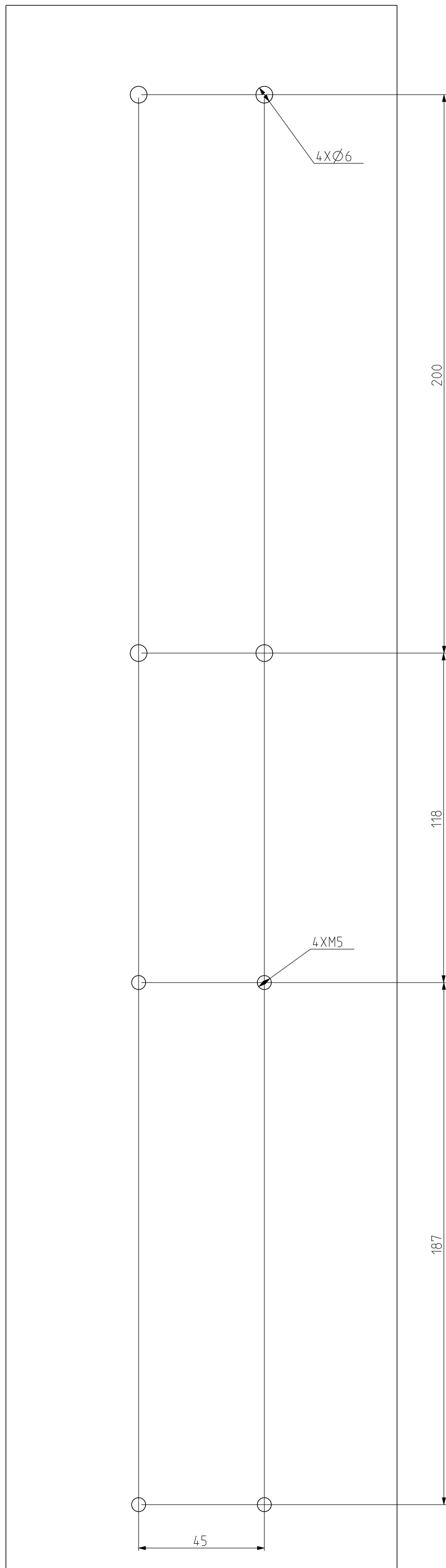


SCALE 1:1



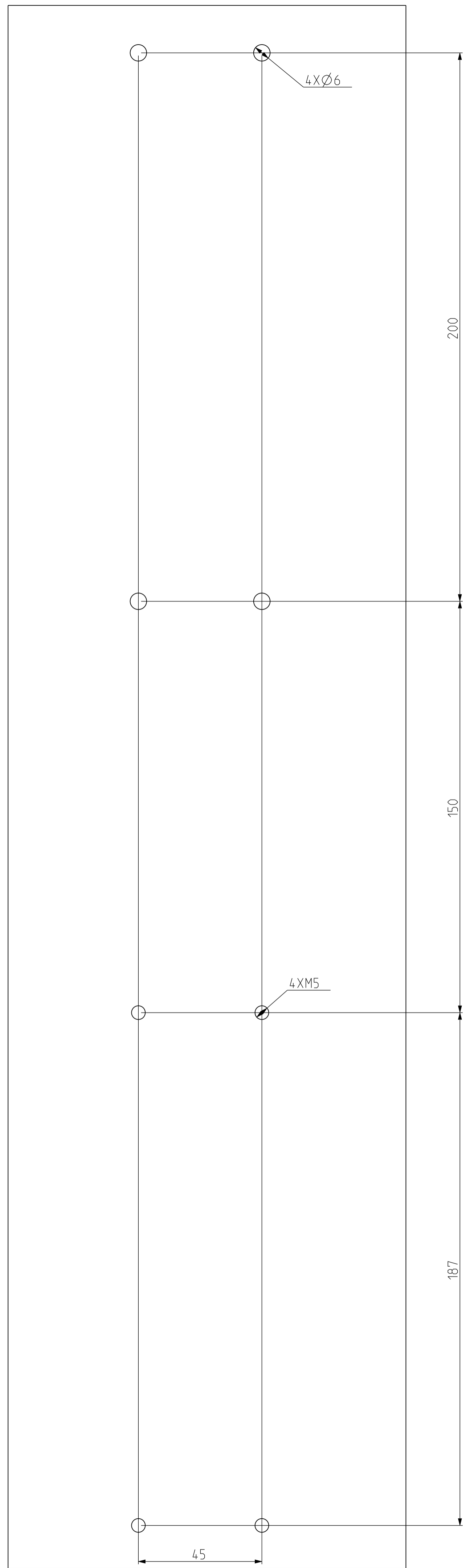
Installation Note
 NSX100-250 - Flexible bar - Cable memory - LC1G115-225 4P

	Scale: 1:1	Technical Specification:	Units of measure: mm
	Document Description: INSTALLATION STENCIL TESYS GIGA-LC1G115-800		
Document Number: JYT1902701		Doc. Rev. 05	Sheet: 18/26
<small>The information is highly confidential and is the exclusive property of Schneider Electric. Copyright reserved. This drawing may not be used for any purpose other than the expressy permitted in writing by the customer and may not be disclosed or reproduced in any way without permission from the expressy in writing. This drawing shall be returned to the expressy when the drawing has ceased.</small>			State: Released for Manufacturing Printed on 2022/01/13

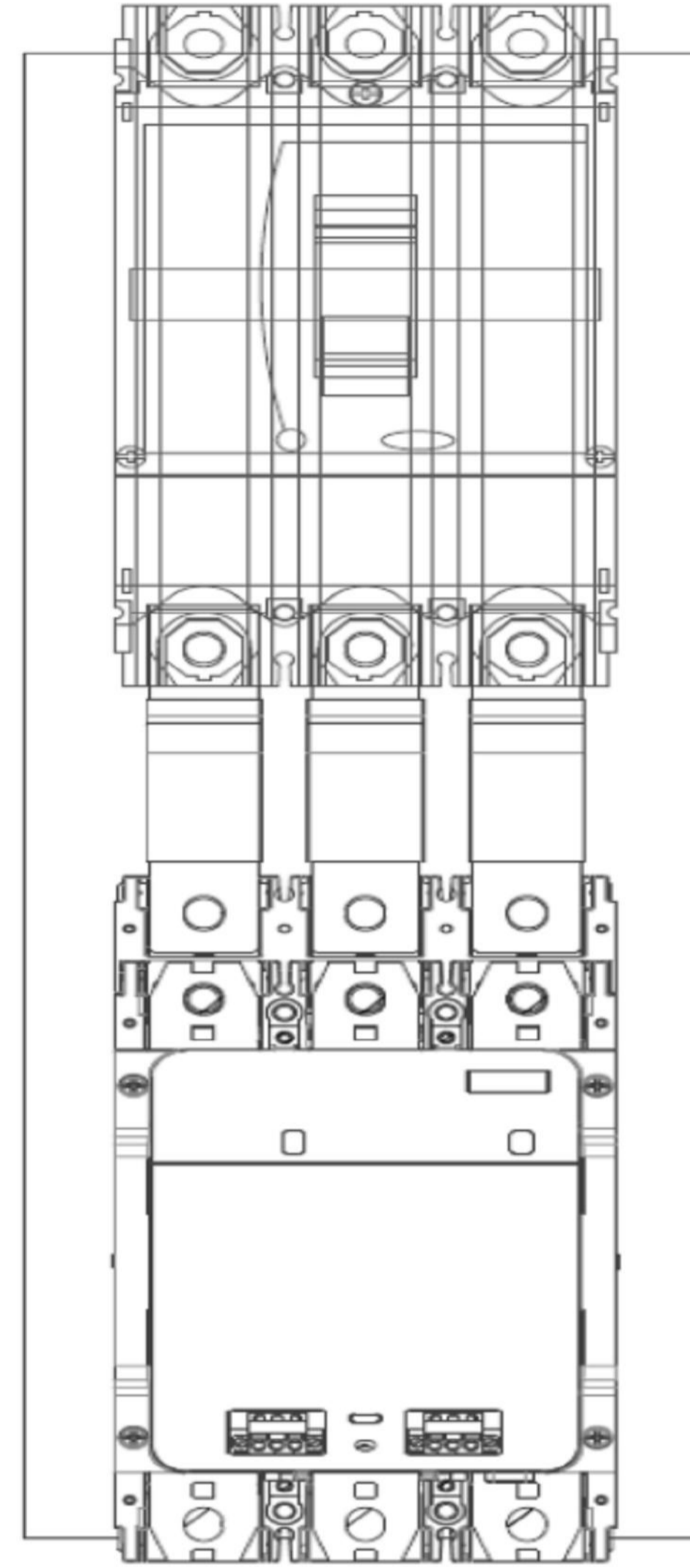


Installation Note
 NSX400-630 - Flexible bar - LC1G265-500 3P (LC1G300-475C 3P)

	Scale: 1:1	Technical Specification:	Units of measure: mm
	Document Description: INSTALLATION STENCIL TESYS GIGA-LCIG115-800		
Document Number: JYT1902701		Doc. Rev.:	Sheet:
		05	19/26
<small>The information is highly confidential and is the exclusive property of Schneider Electric. It is not to be used for any purpose other than that expressly permitted in writing by the owner and not to be disclosed or reproduced in any way without permission from the owner in writing. This drawing shall be returned to the owner when the project has ended.</small>			State: Released for Manufacturing Printed on 2022/01/13

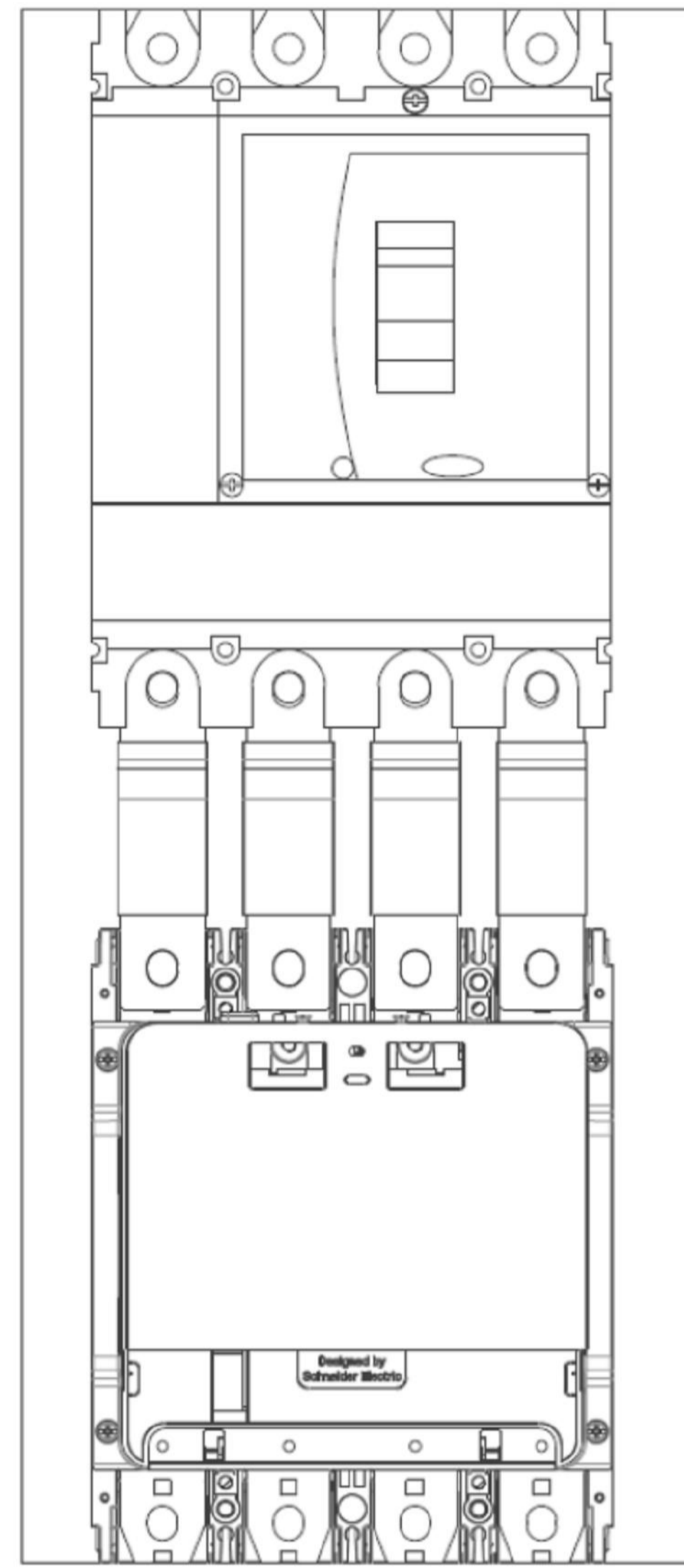
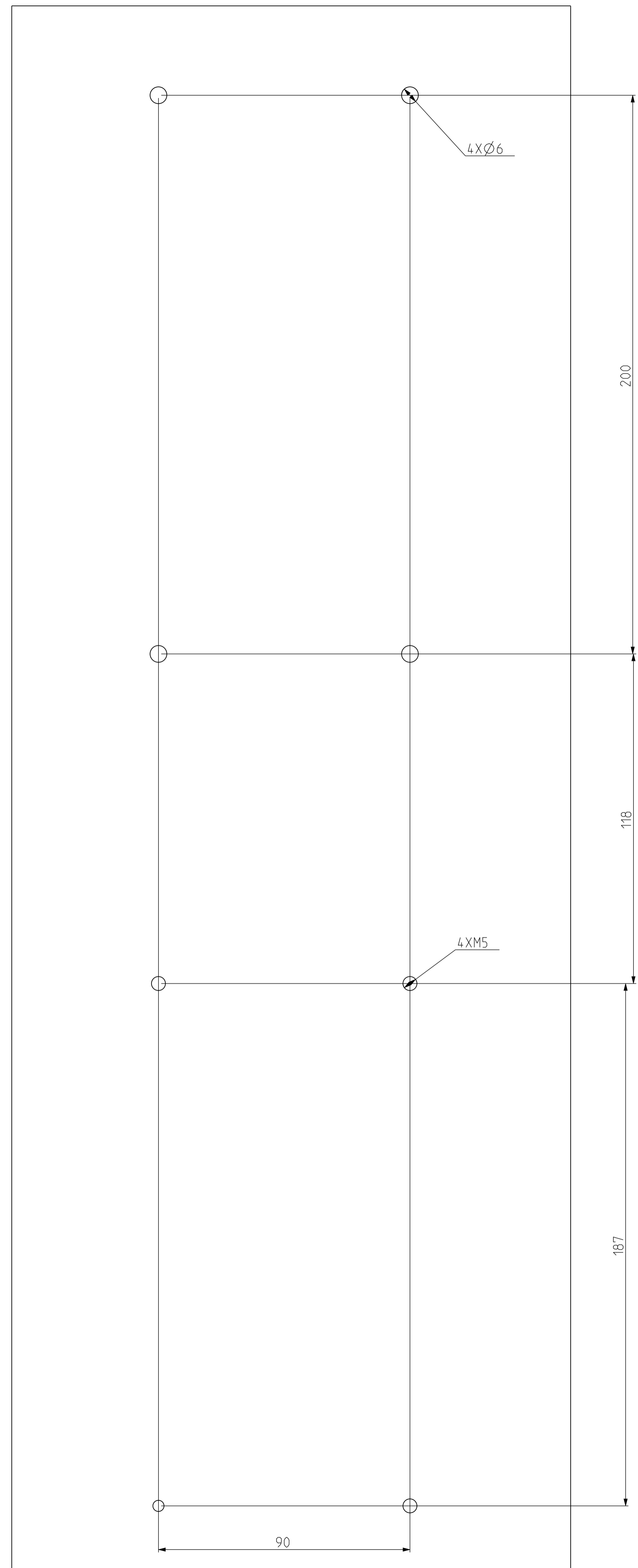


SCALE 1:1



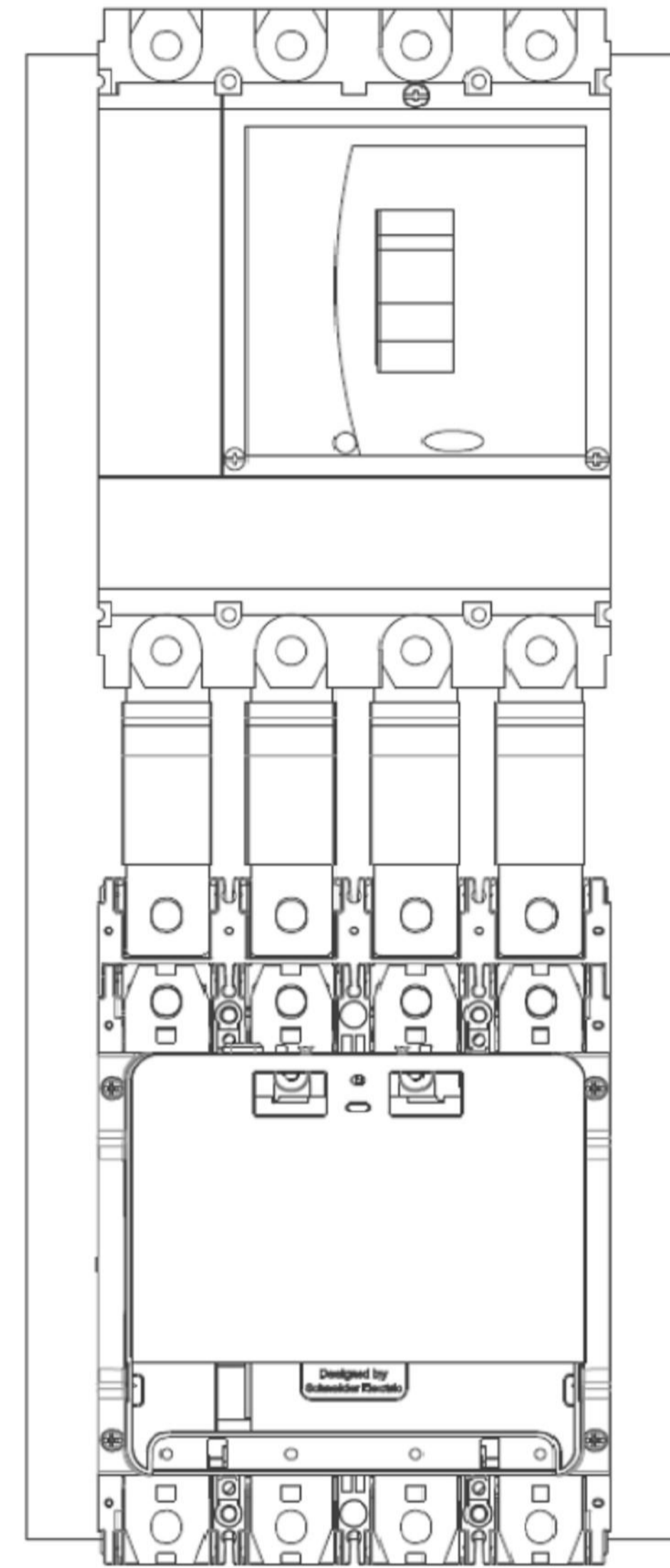
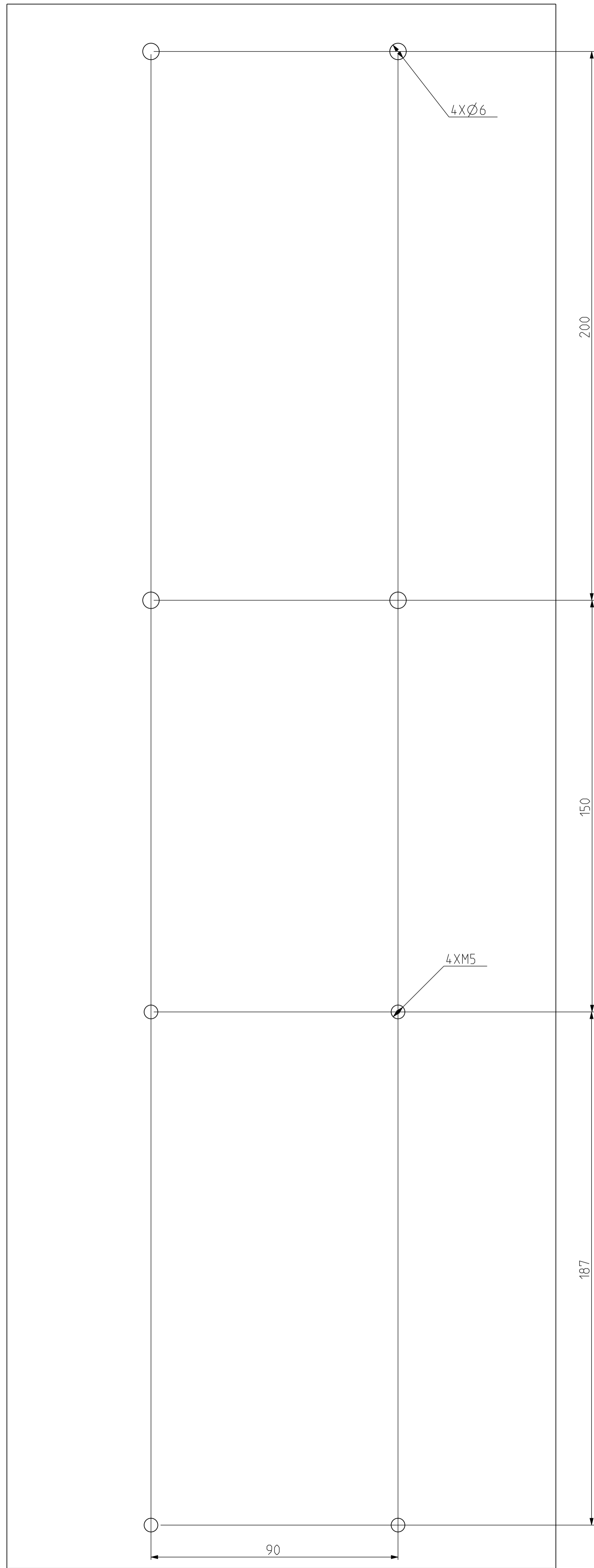
Installation Note
 NSX400-630 - Flexible bar - Cable memory - LC1G265-500 3P (LC1G300-475C 3P)

	Scale: 1:1	Technical Specification:	Units of measure: mm
	Document Description: INSTALLATION STENCIL TESYS GIGA-LC1G115-800		
Document Number: JYT1902701		Doc. Rev.: 05	Sheet: 20/26
<small>The information is highly confidential and is the exclusive property of Schneider Electric. Copyright reserved. This drawing shall not be used for any purpose other than that expressly permitted in writing by the issuer and shall not be disclosed or reproduced in any way without permission from the issuer in writing. This drawing shall be returned to the issuer when the project has closed.</small>			State: Released for Manufacturing Printed on 2022/01/13



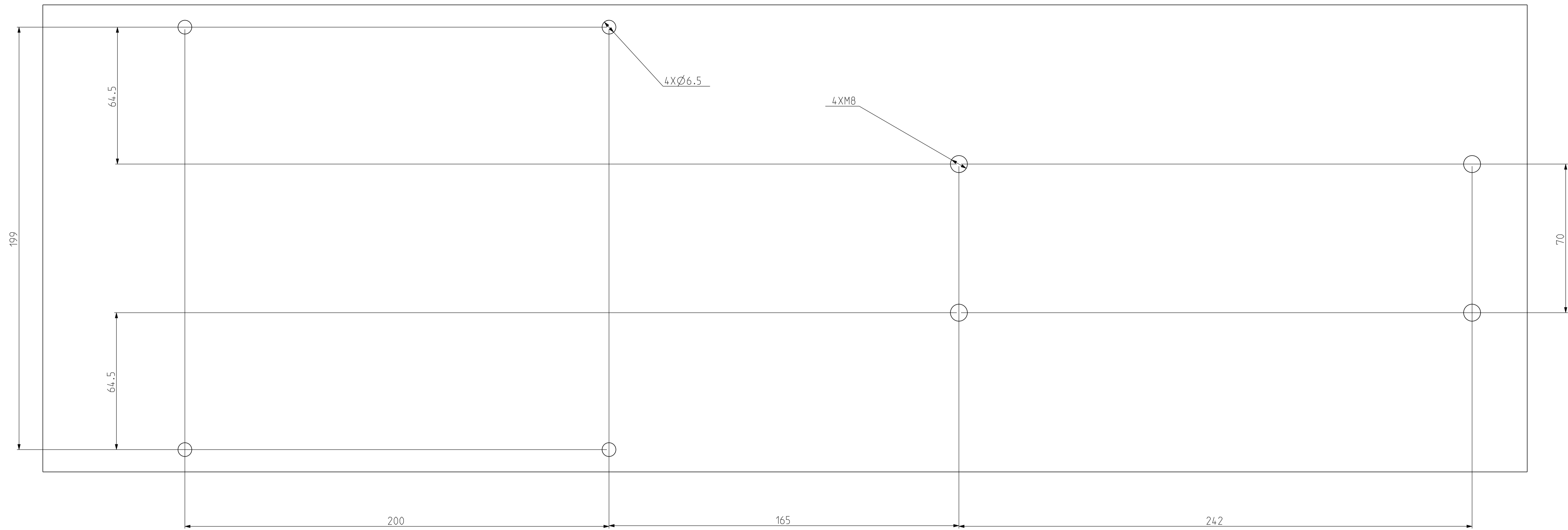
Installation Note
 NSX400-630 - Flexible bar - LC1G265-500 4P

	Scale: 1:1	Technical Specification:	Units of measure: mm
	Document Description: INSTALLATION STENCIL TESYS GIGA-LC1G115-800		
Document Number: JYT1902701		Doc. Rev.: 05	Sheet: 21/26
<small>The information is strictly confidential and is the exclusive property of Schneider Electric. Any disclosure, reproduction, or distribution of this document is strictly prohibited without the express written consent of Schneider Electric. This drawing shall not be used for any purpose other than the express purpose stated in writing in the header and shall not be disclosed or reproduced in any way without permission from the issuer. This drawing shall be returned to the issuer when the project has ended.</small>			State: Released for Manufacturing Printed on 2022/01/13

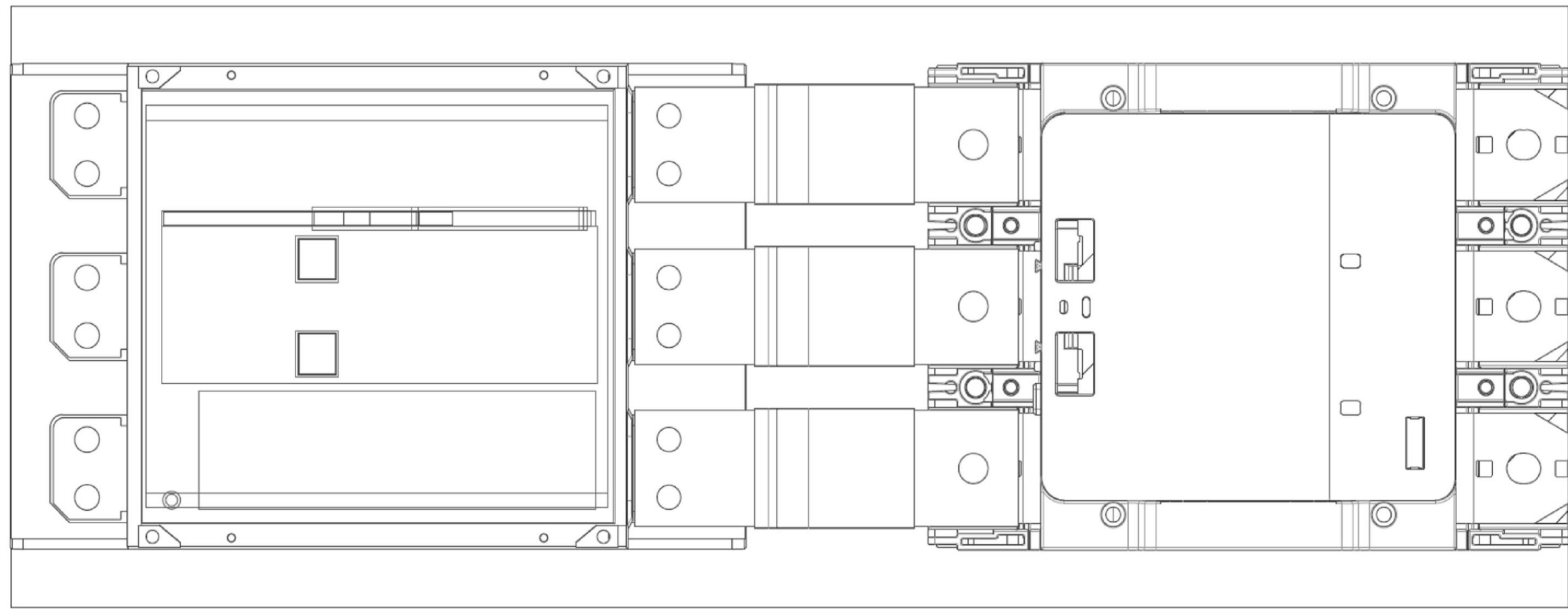


Installation Note
 NSX400-630 - Flexible bar - Cable memory - LC1G265-500 4P

	Scale: 1:1	Technical Specification:	Units of measure: mm
	Document Description: INSTALLATION STENCIL TESYS GIGA-LC1G115-800		
Document Number: JYT1902701		Doc. Rev. 05	Sheet: 22/26
<small>The information is highly confidential and is the exclusive property of Schneider Electric. Copyright reserved. This drawing shall not be used for any purpose other than the express permission in writing by the owner and shall not be disclosed or reproduced in any way without permission from the owner in writing. This drawing shall be controlled by the owner when the drawing is copied.</small>			State: Released for Manufacturing Printed on 2022/01/13

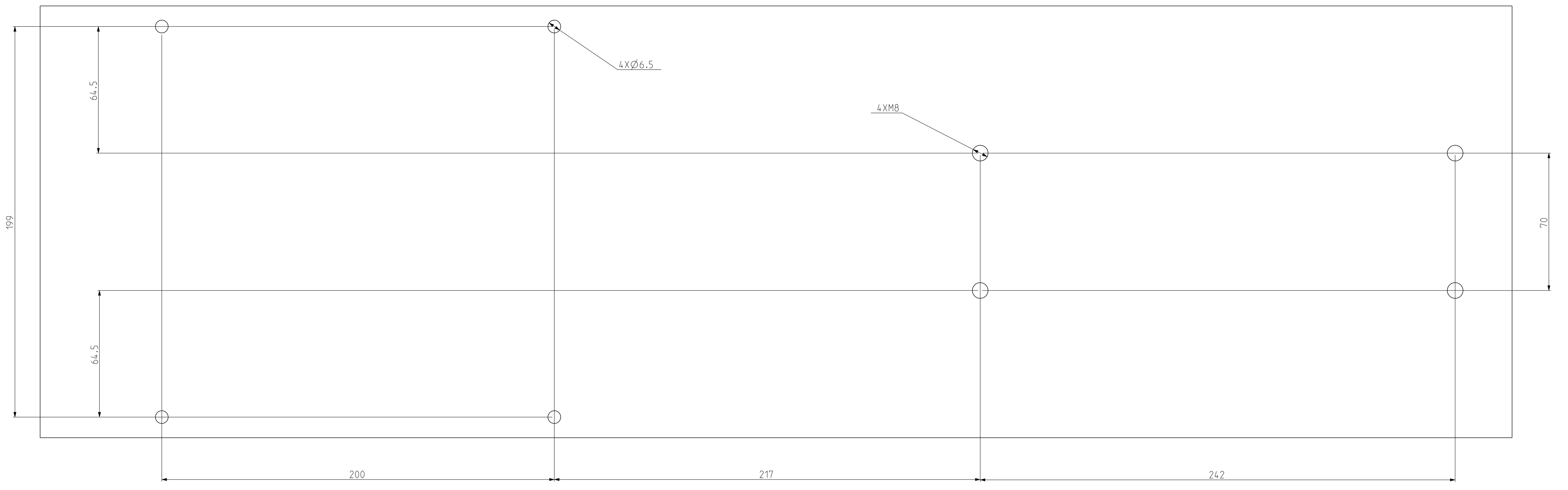


SCALE 1:1

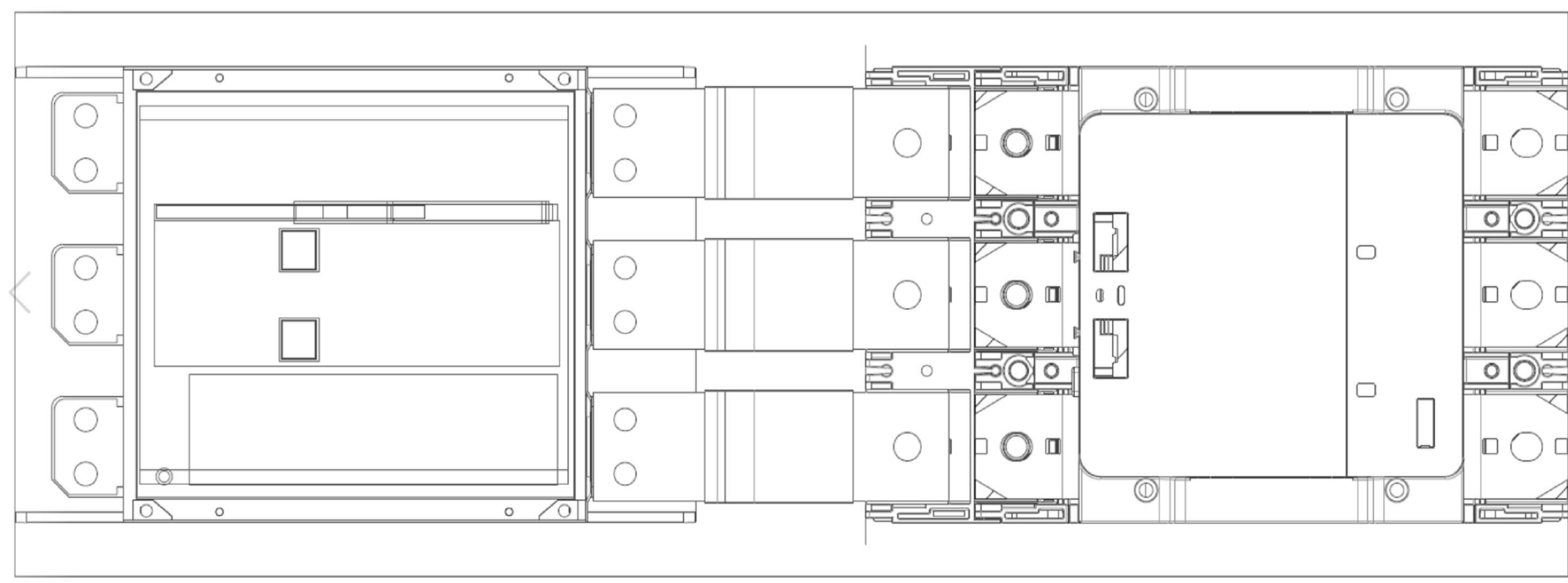


Installation Note
 NSX630-1600 - Flexible bar - LC1G630-800 3P (LC1G620C 3P)

	Scale: 1:1	Technical Specification:	Units of measure: mm
	Document Description: INSTALLATION STENCIL TESYS GIGA-LCIG115-800		
Document Number: JYT1902701		Doc. Rev. 05	Sheet: 23/26
<small>The information is highly confidential and is the exclusive property of Schneider Electric. It is not to be disclosed or reproduced in any way without permission from the author or holder. This drawing shall be returned to the sender when the device has been ordered.</small>			State: Released for Manufacturing Printed on 2022/01/13

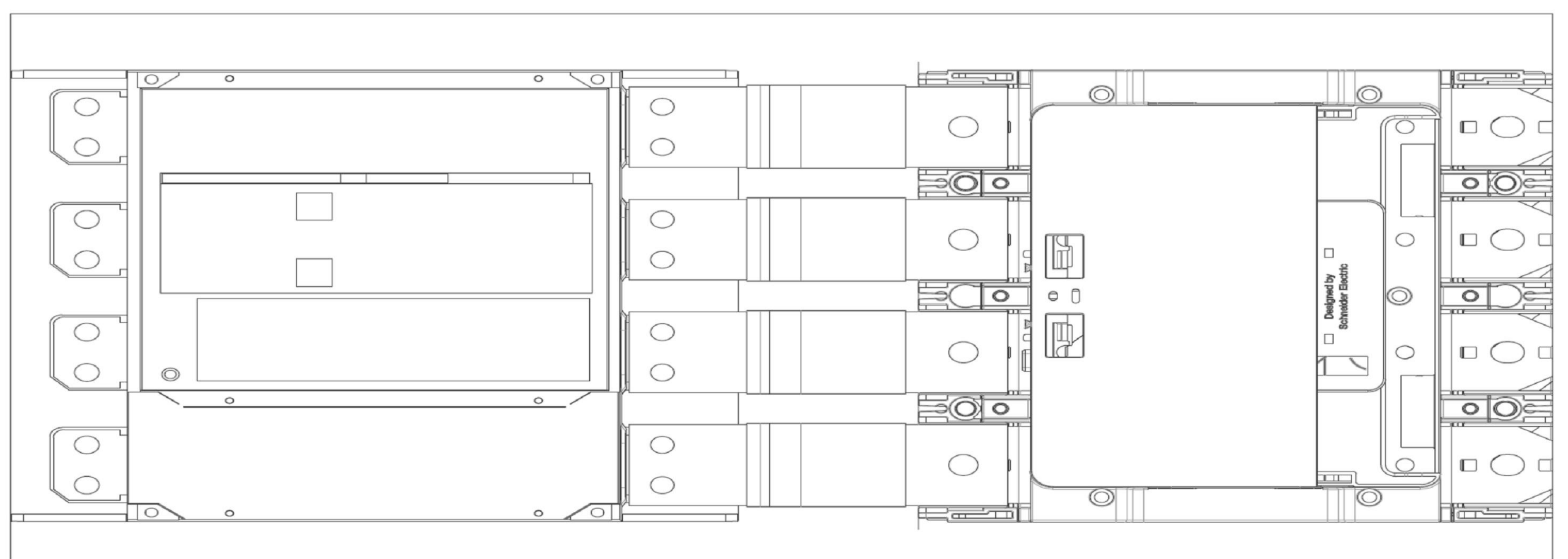
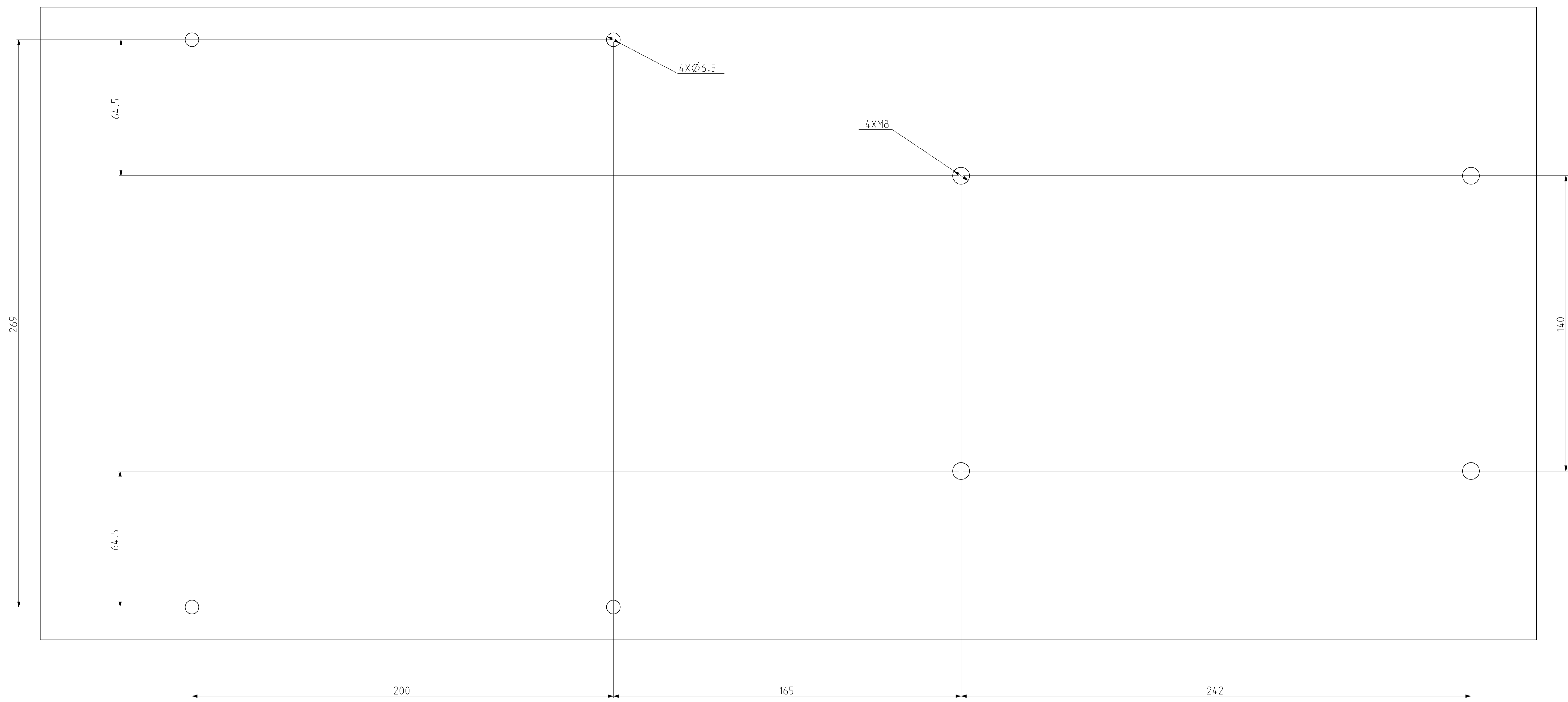


SCALE 1:1



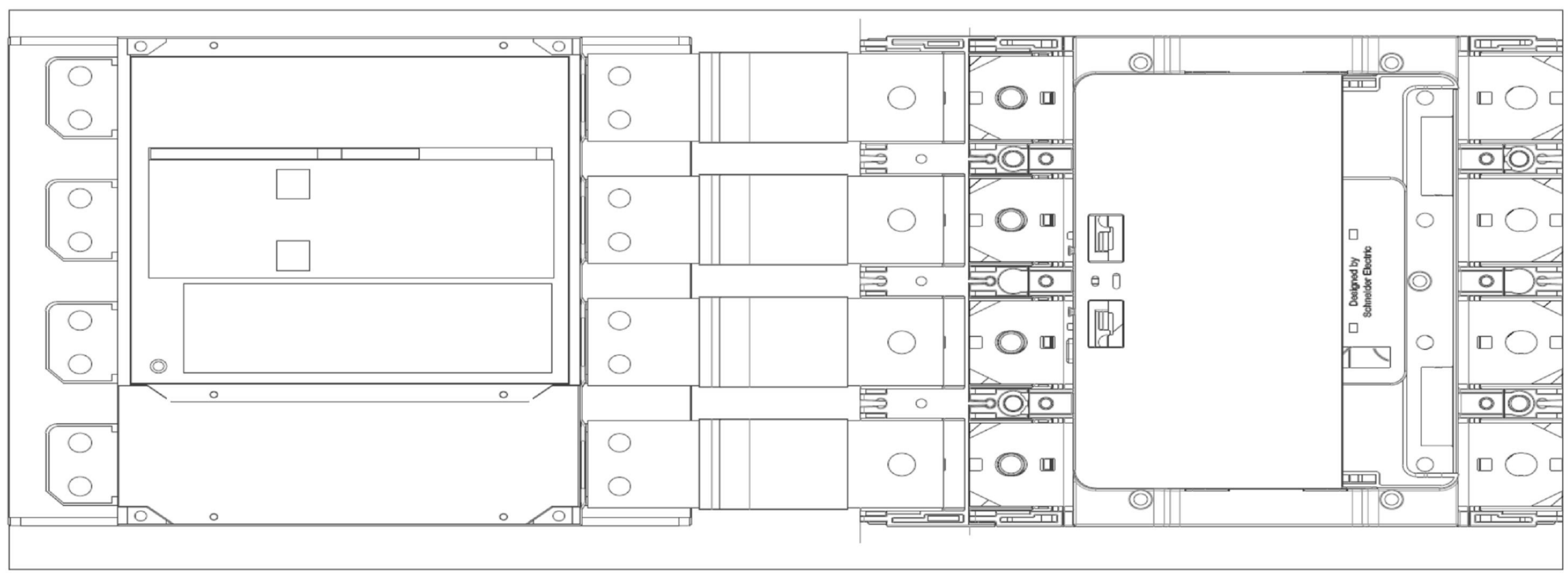
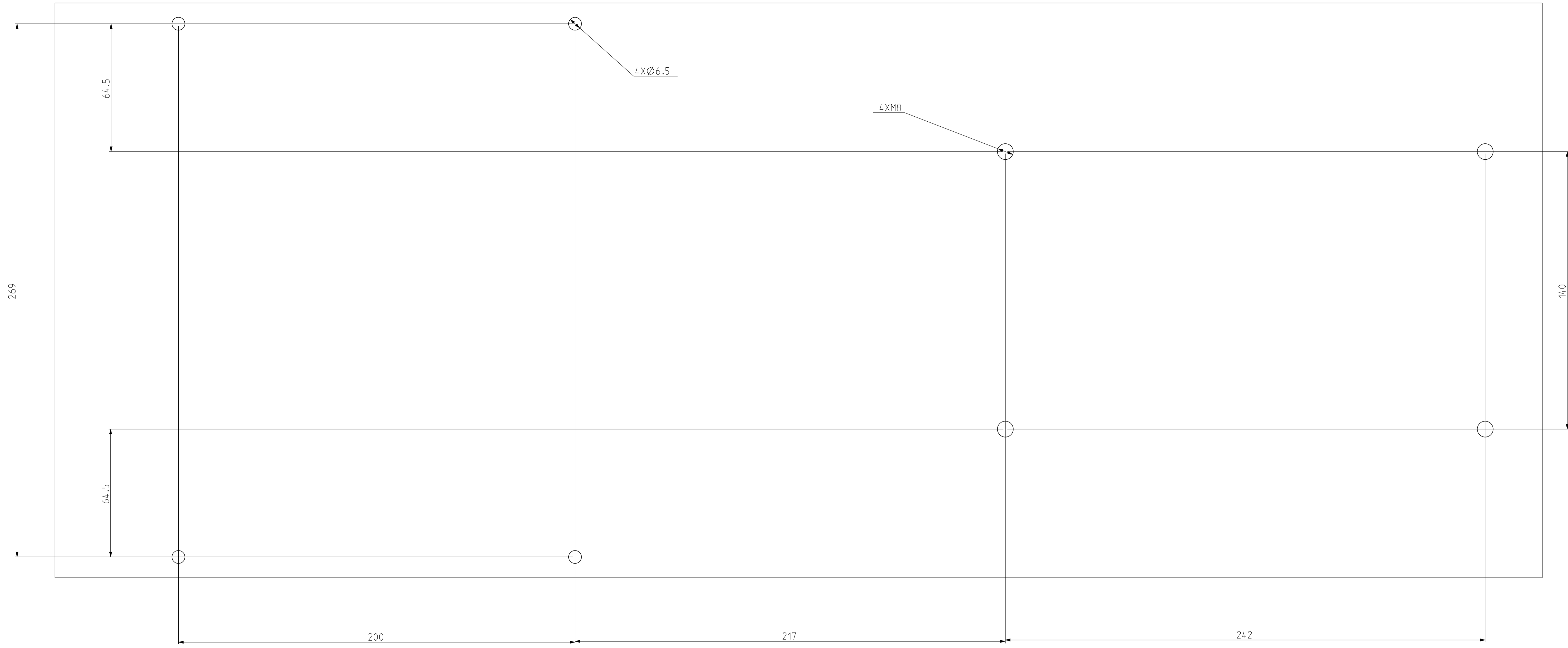
Installation Note
 NSX630-1600 - Flexible bar - Cable memory - LC1G630-800 3P (LC1G620C 3P)

	Scale: 1:1	Technical Specification:	Units of measure: mm
	Document Description: INSTALLATION STENCIL TESYS GIGA-LCIG115-800		
Document Number: JYT1902701		Doc. Rev. 05	Sheet: 24/26
<small>The information is highly confidential and is the exclusive property of Schneider Electric. Copyright reserved. This drawing may not be used for any purpose other than the expressly permitted in writing by the owner and may not be disclosed or reproduced in any way without permission from the owner in writing. This drawing may be returned to the owner when the drawing is closed.</small>			State: Released for Manufacturing Printed on 2022/01/13



Installation Note
 NSX630-1600 - Flexible bar - LC1G630-800 4P

	Scale: 1:1	Technical Specification:	Units of measure: mm
	Document Description: INSTALLATION STENCIL TESYS GIGA-LC1G115-800		
Document Number: JYT1902701		Doc. Rev. 05	Sheet: 25/26
<small>The information is highly confidential and is the exclusive property of Schneider Electric. Copyright reserved. This drawing shall not be used for any purpose other than that expressly permitted in writing by the owners and shall not be disclosed or reproduced in any way without permission from the owner. All rights shall be reserved to the owner when the drawing has expired.</small>			State: Released for Manufacturing Printed on 2022/01/13



Installation NSX630-1600 - Flexible bar - Cable memory - LC1G630-800 4P

	Scale: 1:1	Technical Specification:	Units of measure: mm
	Document Description: INSTALLATION STENCIL TESYS GIGA-LC1G115-800		
Document Number: JYT1902701		Doc. Rev. 05	Sheet: 26/26
<small>The information is highly confidential and is the exclusive property of Schneider Electric. It is not to be disclosed or reproduced in any way without permission from the service in writing. This drawing may be returned to the sender upon the request.</small>			State: Released for Manufacturing Printed on 2022/01/13