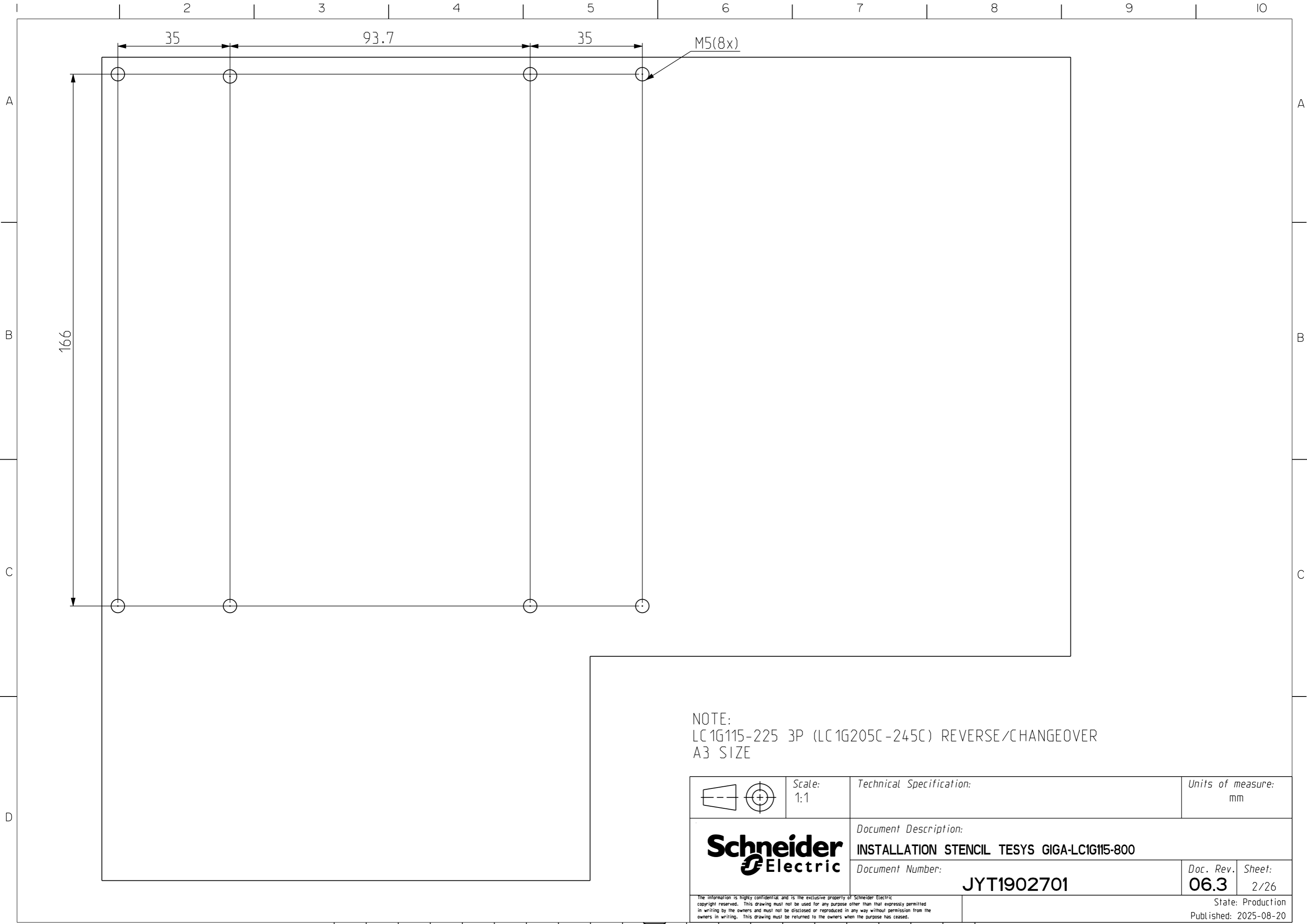


NOTE:
 LC 1G115-225 (LC 1G205C -245C) STARDELTA + LR9G115-225
 A3 SIZE

	Scale: 1:1	Technical Specification:	Units of measure: mm
		Document Description: INSTALLATION STENCIL TESYS GIGA-LC1G115-800	
Document Number: JYT1902701			Doc. Rev. Sheet: 06.3 1/26

The information is highly confidential and is the exclusive property of Schneider Electric copyright reserved. This drawing must not be used for any purpose other than that expressly permitted in writing by the owners and must not be disclosed or reproduced in any way without permission from the owners in writing. This drawing must be returned to the owners when the purpose has ceased.

State: Production
 Published: 2025-08-20



NOTE:
 LC1G115-225 3P (LC1G205C-245C) REVERSE/CHANGEOVER
 A3 SIZE

	<i>Scale:</i> 1:1	<i>Technical Specification:</i>	<i>Units of measure:</i> mm
		<i>Document Description:</i> INSTALLATION STENCIL TESYS GIGA-LC1G115-800	
		<i>Document Number:</i> JYT1902701	<i>Doc. Rev. Sheet:</i> 06.3 2/26

The information is highly confidential and is the exclusive property of Schneider Electric copyright reserved. This drawing must not be used for any purpose other than that expressly permitted in writing by the owners and must not be disclosed or reproduced in any way without permission from the owners in writing. This drawing must be returned to the owners when the purpose has ceased.

State: Production
 Published: 2025-08-20

2

3

4

5

6

7

8

9

10

A

B

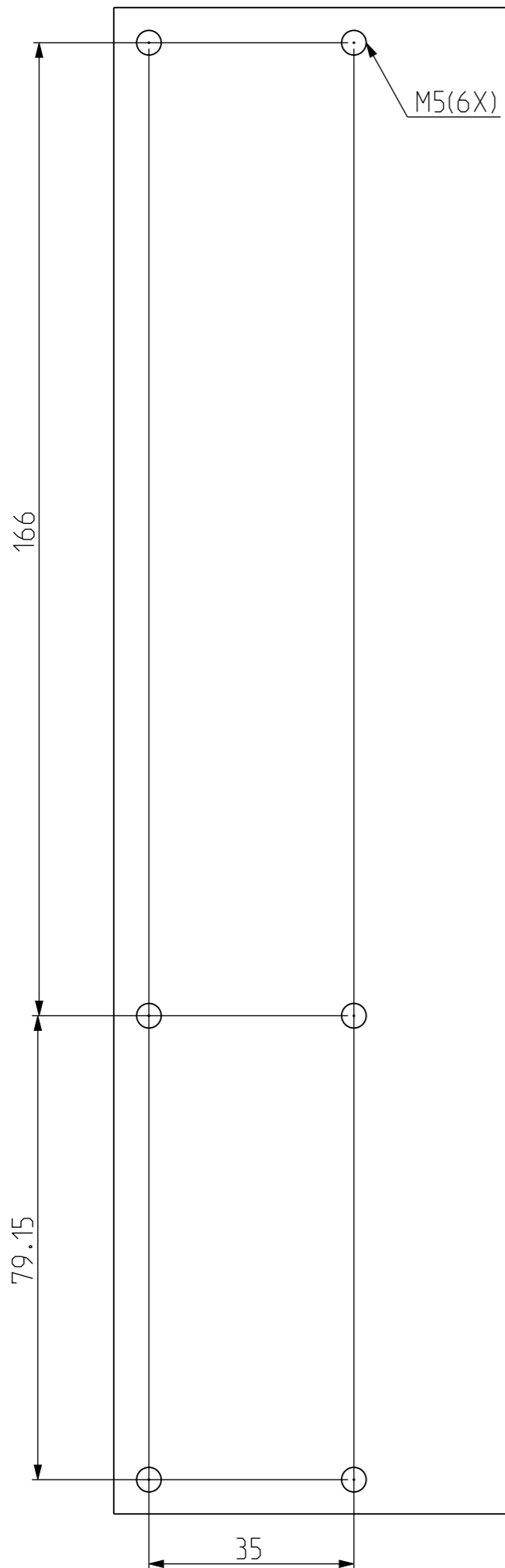
C

D

A

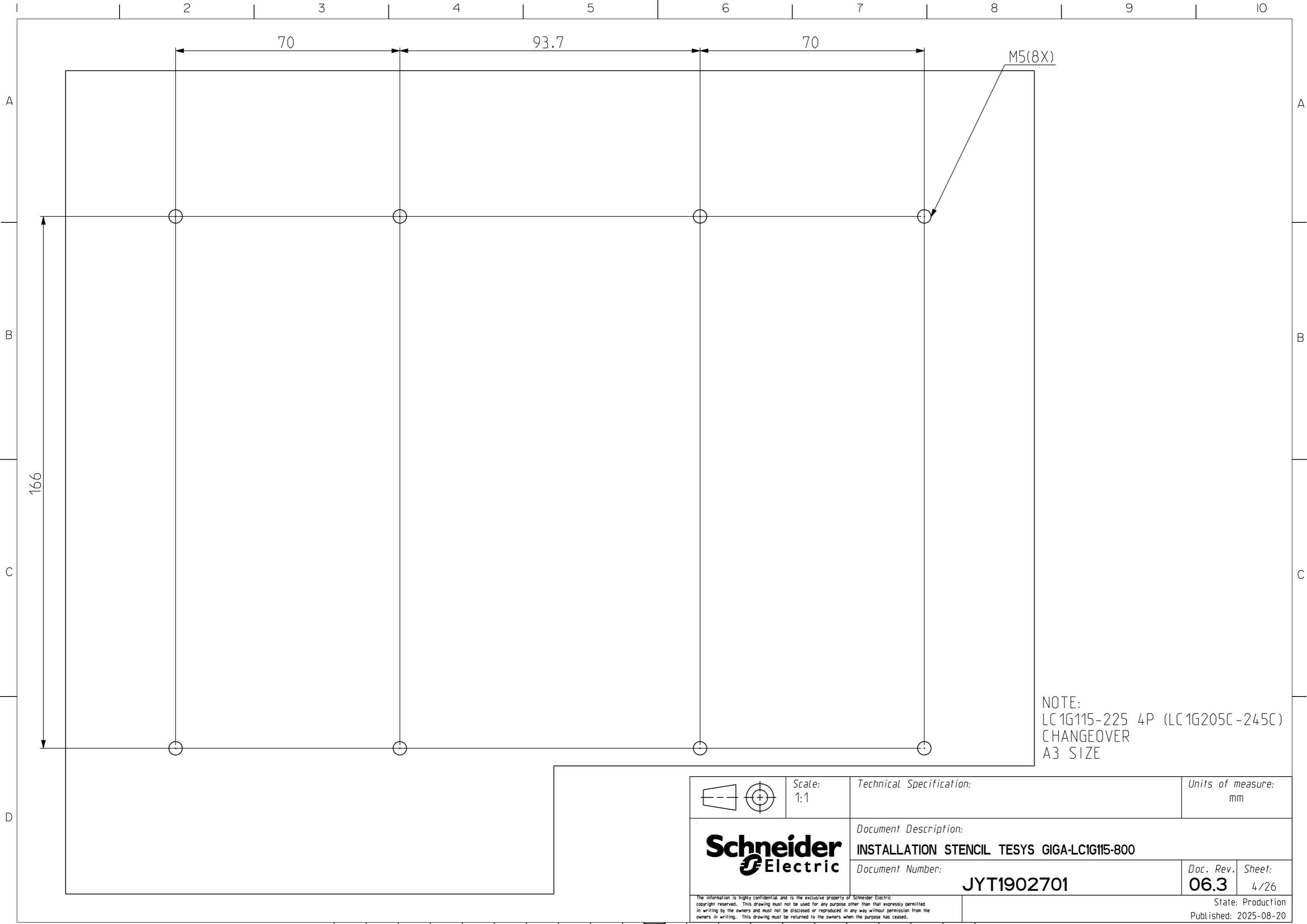
B

C



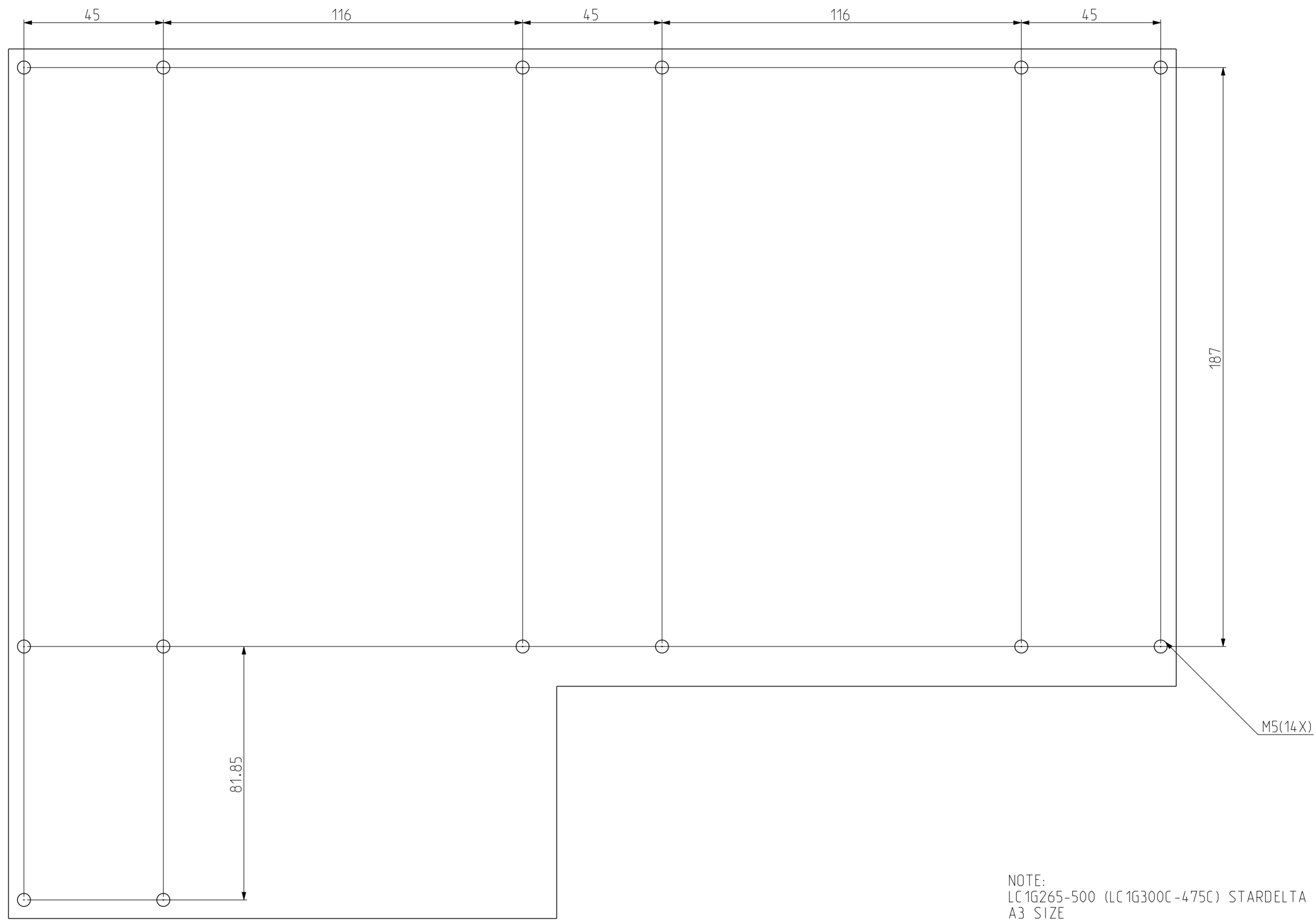
NOTE
 LC 1G115-225 (LC 1G205C-245C) + LR9G115-225 Direct Mounting
 A3 SIZE

	<i>Scale:</i> 1:1	<i>Technical Specification:</i>	<i>Units of measure:</i> mm	
		<i>Document Description:</i> INSTALLATION STENCIL TESYS GIGA-LC1G115-800		
		<i>Document Number:</i> JYT1902701	<i>Doc. Rev.</i> 06.3	<i>Sheet:</i> 3/26
<small>The information is highly confidential and is the exclusive property of Schneider Electric copyright reserved. This drawing must not be used for any purpose other than that expressly permitted in writing by the owners and must not be disclosed or reproduced in any way without permission from the owners in writing. This drawing must be returned to the owners when the purpose has ceased.</small>			<i>State:</i> Production <i>Published:</i> 2025-08-20	



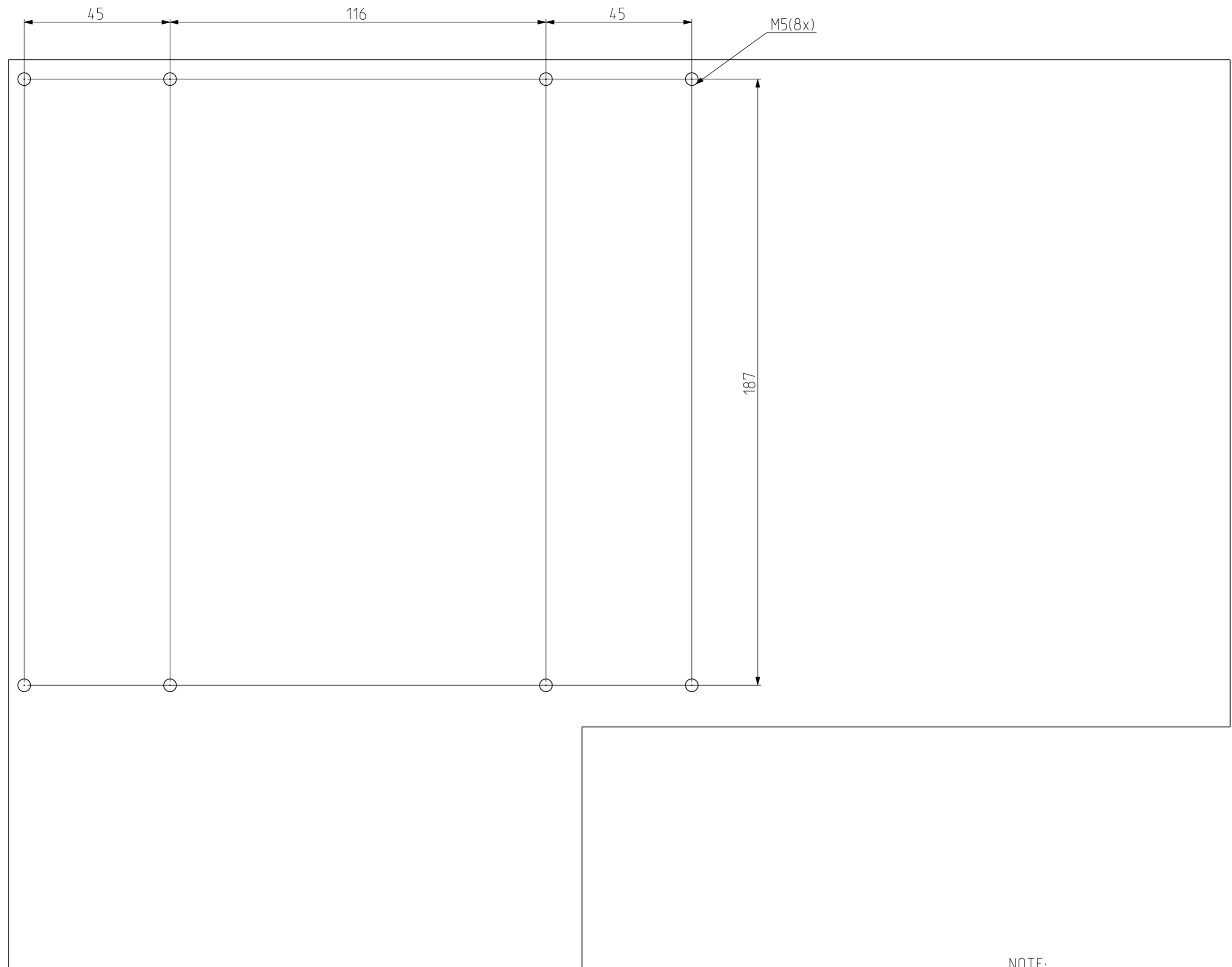
NOTE:
 LC 1G115-225 4P (LC 1G205C-245C)
 CHANGEOVER
 A3 SIZE

	Scale: 1:1	Technical Specification:	Units of measure: mm
	Document Description: INSTALLATION STENCIL TESYS GIGA-LC1G115-800		
	Document Number: JYT1902701	Doc. Rev. 06.3	Sheet: 4/26
<small>The information is highly confidential and is the exclusive property of Schneider Electric copyright reserved. This drawing must not be used for any purpose other than that expressly permitted in writing by the owners and must not be disclosed or reproduced in any way without permission from the owners in writing. This drawing must be returned to the owners when the purpose has ceased.</small>			State: Production Published: 2025-08-20



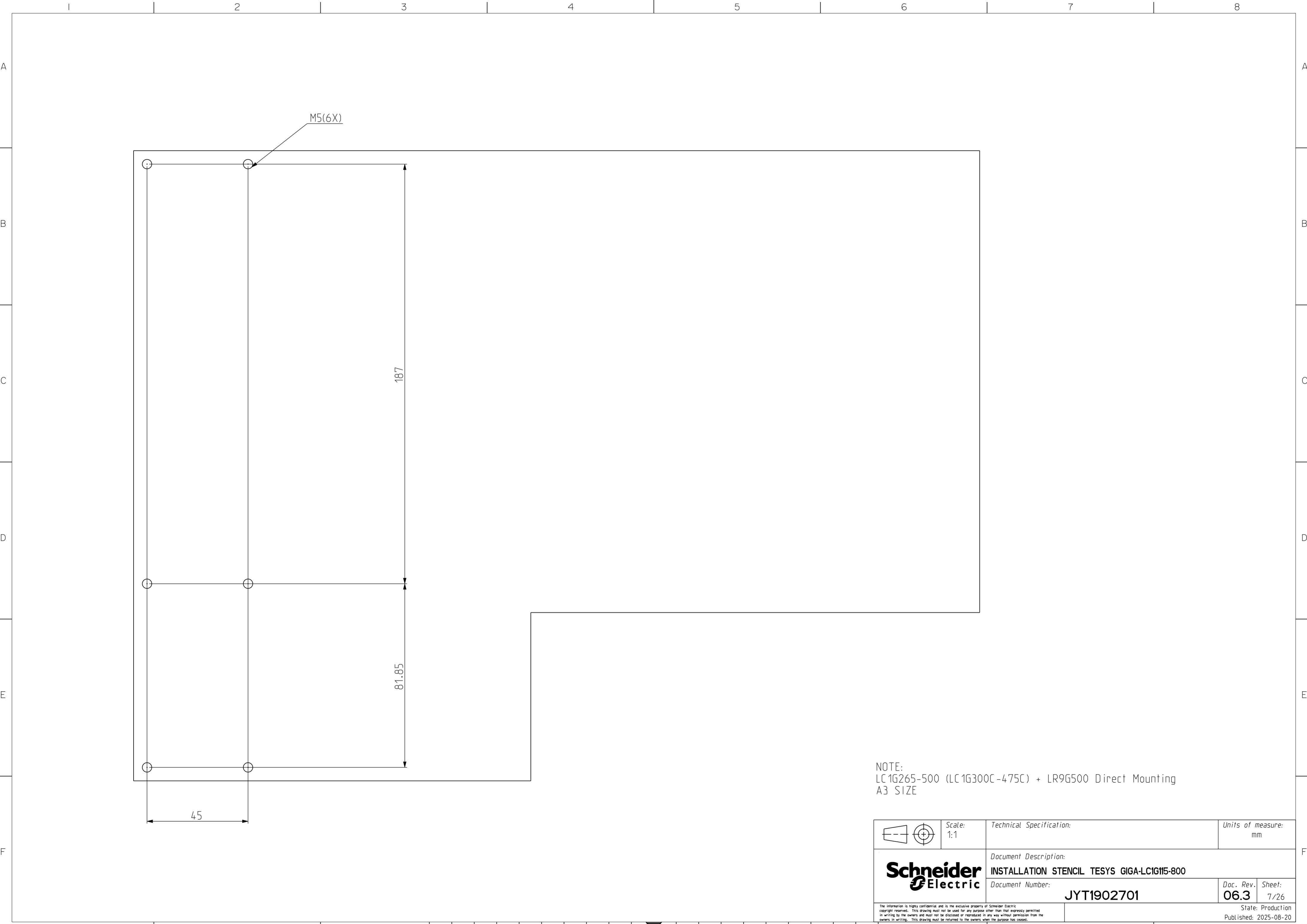
NOTE:
 LC 1G265-500 (LC1G300C-475C) STARDELTA + LR9G500 Direct Mounting
 A3 SIZE

	Scale: 1:1	Technical Specification:	Units of measure: mm
		Document Description: INSTALLATION STENCIL TESYS GIGA-LCIG115-800	
		Document Number: JYT1902701	Doc. Rev. Sheet: 06.3 5/26
<small>The information is highly confidential and is the exclusive property of Schneider Electric. Copyright reserved. This drawing must not be used for any purpose other than that expressly permitted in writing by the owners and must not be discussed or reproduced in any way without permission from the owners in writing. This drawing must be returned to the owners when the purpose has ceased.</small>			State: Production Published: 2025-08-20



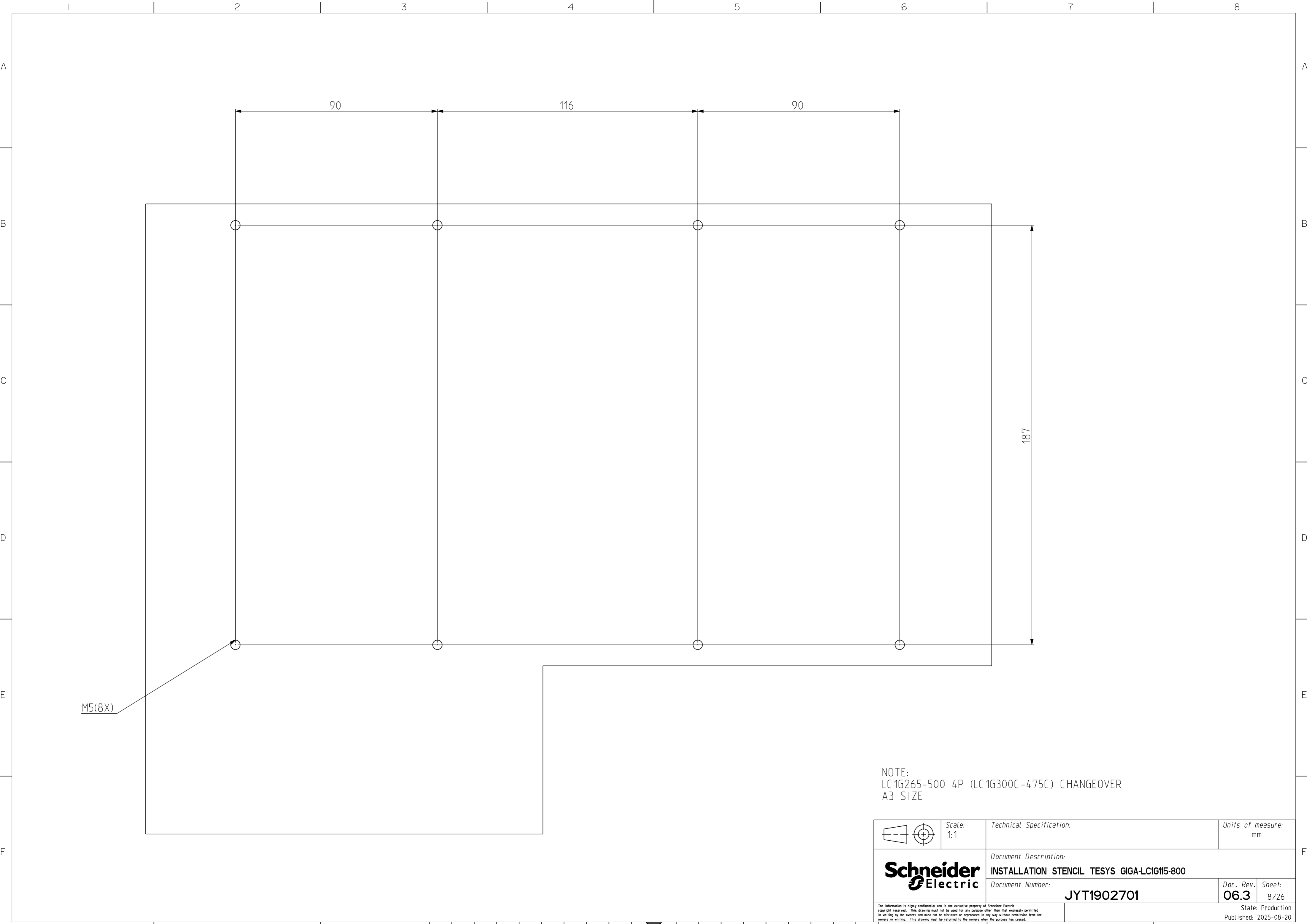
NOTE:
 LC1G265-500 3P (LC1G300C-475C) REVERSE/CHANGEOVER
 A3 SIZE

	Scale: 1:1	Technical Specification:	Units of measure: mm
		Document Description: INSTALLATION STENCIL TESYS GIGA-LCIG115-800	
		Document Number: JYT1902701	Doc. Rev. Sheet: 06.3 6/26
<small>The information is highly confidential and is the exclusive property of Schneider Electric. Copyright reserved. This drawing must not be used for any purpose other than that expressly permitted in writing by the owners and must not be disclosed or reproduced in any way without permission from the owners in writing. This drawing must be returned to the owners when the purpose has ceased.</small>			State: Production Published: 2025-08-20 Original format A2



NOTE:
 LC1G265-500 (LC1G300C-475C) + LR9G500 Direct Mounting
 A3 SIZE

	Scale: 1:1	Technical Specification:	Units of measure: mm
		Document Description: INSTALLATION STENCIL TESYS GIGA-LCIG115-800	
		Document Number: JYT1902701	Doc. Rev. Sheet: 06.3 7/26
<small>The information is highly confidential and is the exclusive property of Schneider Electric. Copyright reserved. This drawing must not be used for any purpose other than that expressly permitted in writing by the owners and must not be disclosed or reproduced in any way without permission from the owners in writing. This drawing must be returned to the owners when the purpose has ceased.</small>			State: Production Published: 2025-08-20 Original format A2



M5(8X)

90

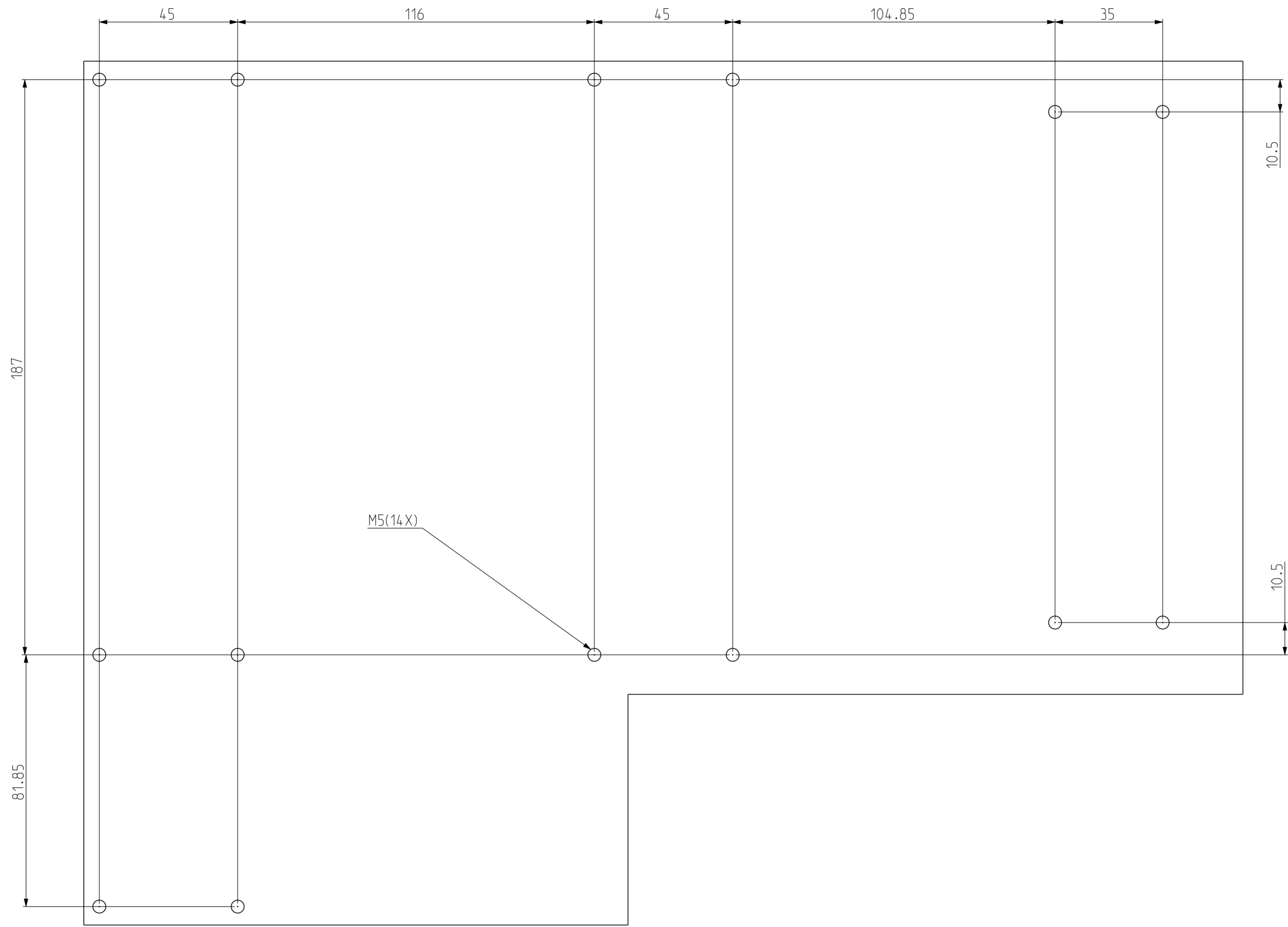
116

90

187

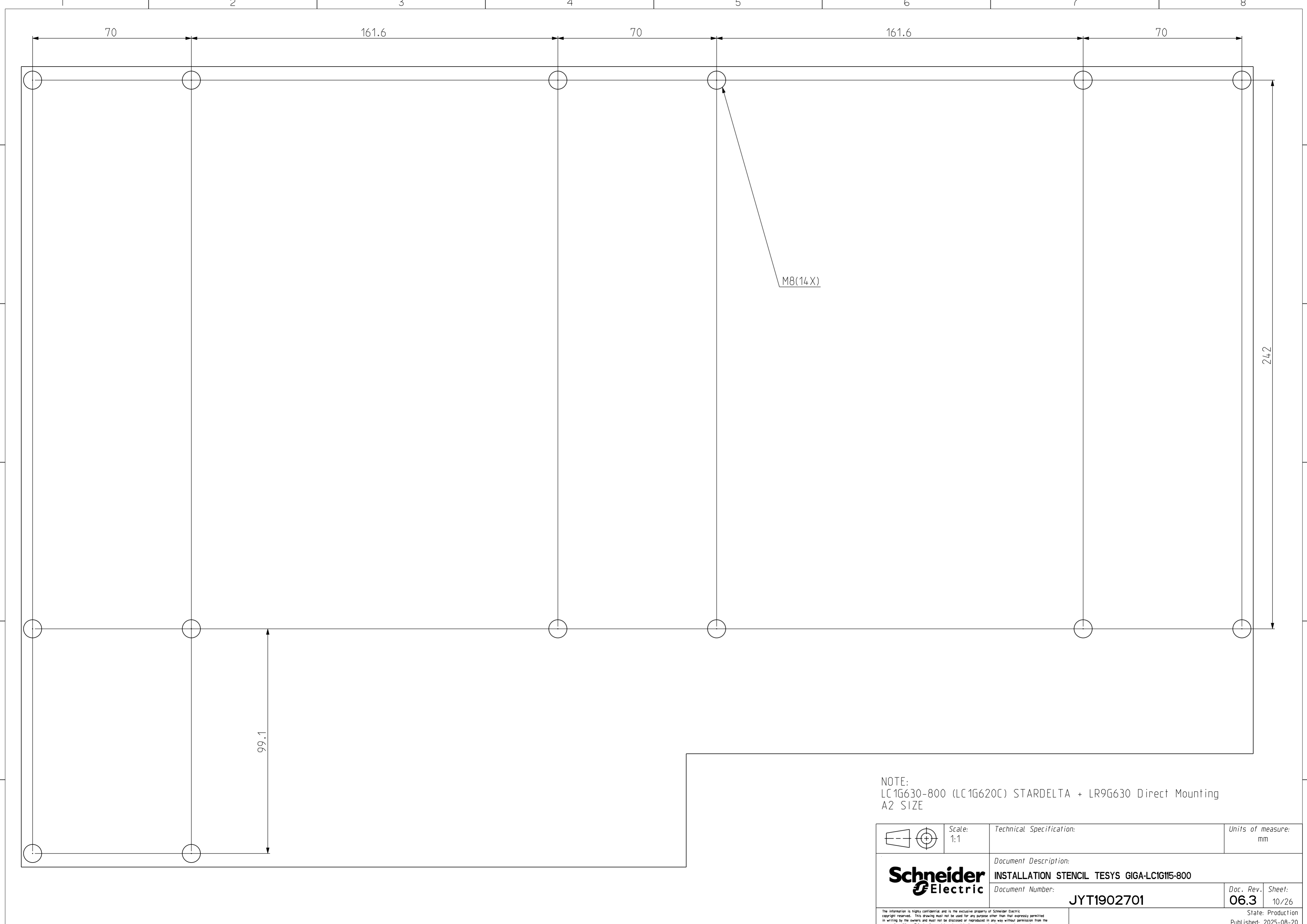
NOTE:
 LC1G265-500 4P (LC1G300C-475C) CHANGEVER
 A3 SIZE

	Scale: 1:1	Technical Specification:	Units of measure: mm
		Document Description: INSTALLATION STENCIL TESYS GIGA-LCIG115-800	
		Document Number: JYT1902701	Doc. Rev. Sheet: 06.3 8/26
<small>The information is highly confidential and is the exclusive property of Schneider Electric. Copyright reserved. This drawing must not be used for any purpose other than that expressly permitted in writing by the owners and must not be disclosed or reproduced in any way without permission from the owners in writing. This drawing must be returned to the owners when the purpose has ceased.</small>			State: Production Published: 2025-08-20 Original format A2



NOTE:
 LC1G265-500 (LC1G300C-475C) AND LC1G115-225 (LC1G205C-245C) STARDELTA + LR9G500 Direct Mounting
 A3 SIZE

	Scale: 1:1	Technical Specification:	Units of measure: mm
		Document Description: INSTALLATION STENCIL TESYS GIGA-LCIG115-800	
		Document Number: JYT1902701	Doc. Rev. Sheet: 06.3 9/26
<small>The information is highly confidential and is the exclusive property of Schneider Electric. Copyright reserved. This drawing must not be used for any purpose other than that expressly permitted in writing by the owners and must not be disclosed or reproduced in any way without permission from the owners in writing. This drawing must be returned to the owners when the purpose has ceased.</small>			State: Production Published: 2025-08-20



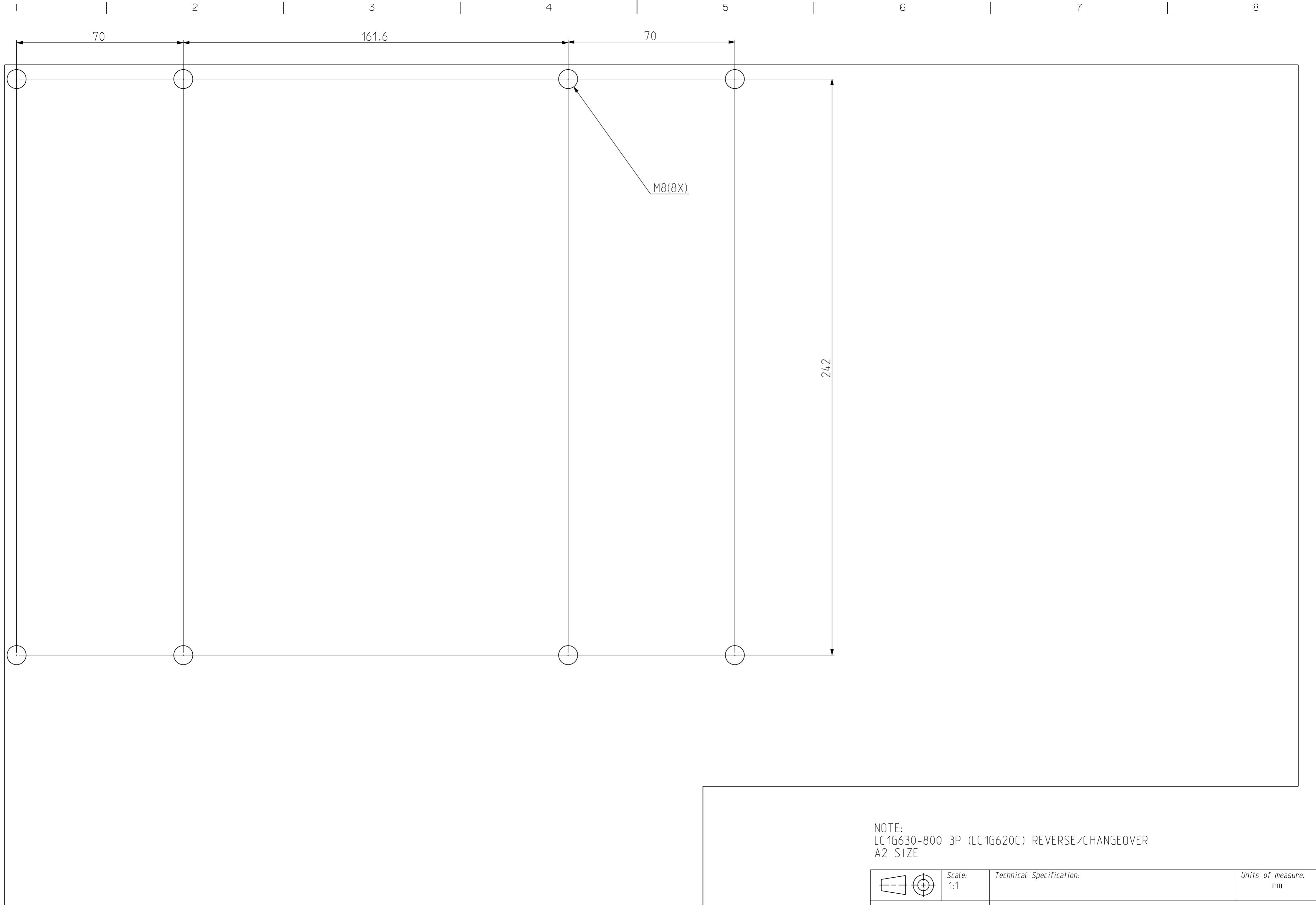
NOTE:
 LC1G630-800 (LC1G620C) STARDELTA + LR9G630 Direct Mounting
 A2 SIZE

	Scale: 1:1	Technical Specification:	Units of measure: mm
--	---------------	--------------------------	-------------------------

	Document Description: INSTALLATION STENCIL TESYS GIGA-LCIG115-800	
	Document Number: JYT1902701	Doc. Rev. Sheet: 06.3 10/26

The information is highly confidential and is the exclusive property of Schneider Electric. Copyright reserved. This drawing must not be used for any purpose other than that expressly permitted in writing by the owners and must not be disclosed or reproduced in any way without permission from the owners in writing. This drawing must be returned to the owners when the purpose has ceased.

State: Production
 Published: 2025-08-20
 Original format A2



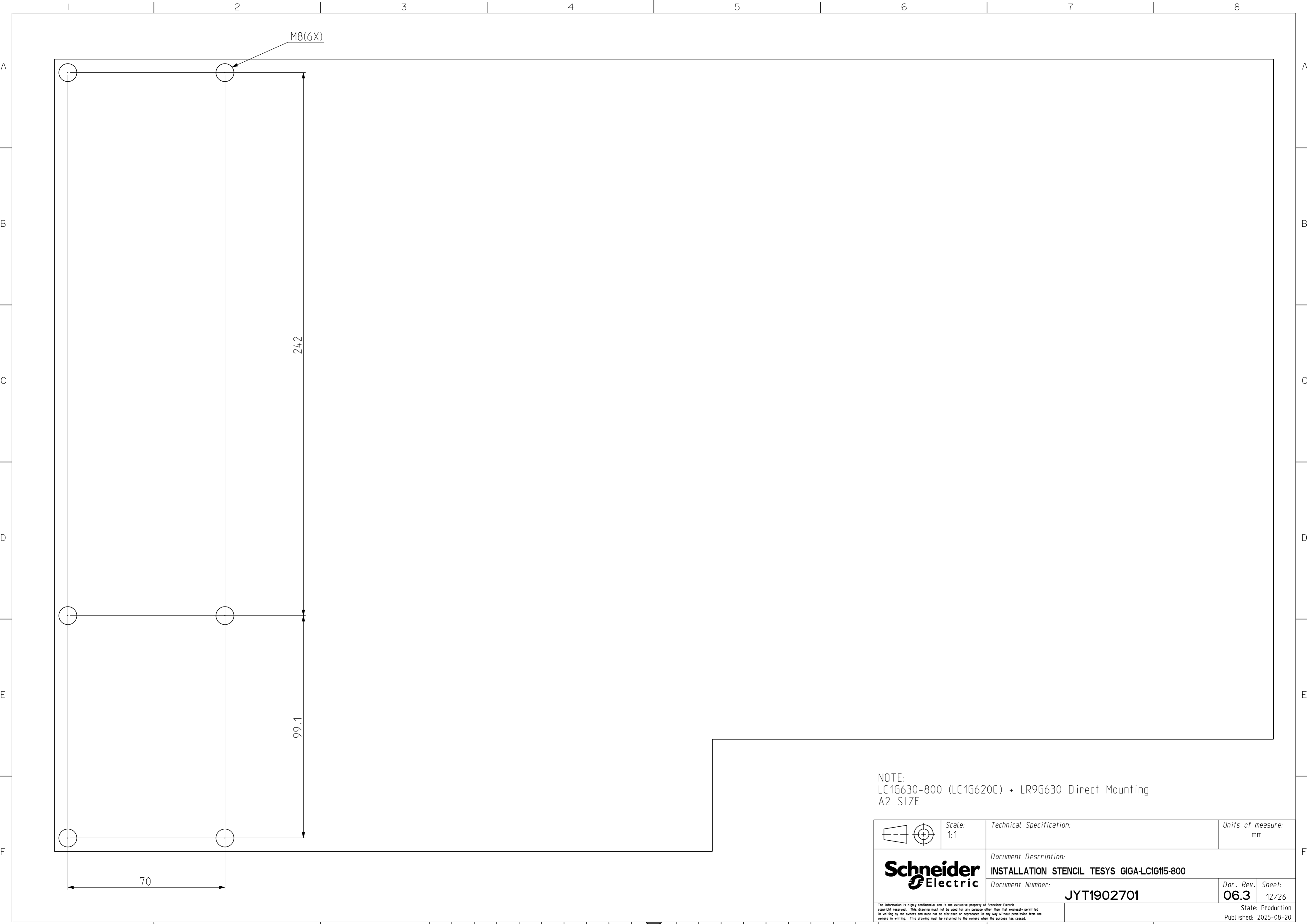
NOTE:
 LC 1G630-800 3P (LC 1G620C) REVERSE/CHANGEOVER
 A2 SIZE

	Scale: 1:1	Technical Specification:	Units of measure: mm
--	---------------	--------------------------	-------------------------

	Document Description: INSTALLATION STENCIL TESYS GIGA-LCIG115-800			
	Document Number: JYT1902701	Doc. Rev. 06.3	Sheet: 11/26	

The information is highly confidential and is the exclusive property of Schneider Electric. Copyright reserved. This drawing must not be disclosed or reproduced in any way without permission from the owners in writing. This drawing must be returned to the owners when the purpose has ceased.

State: Production
 Published: 2025-08-20
 Original format A2



M8(6X)

242

99.1

70

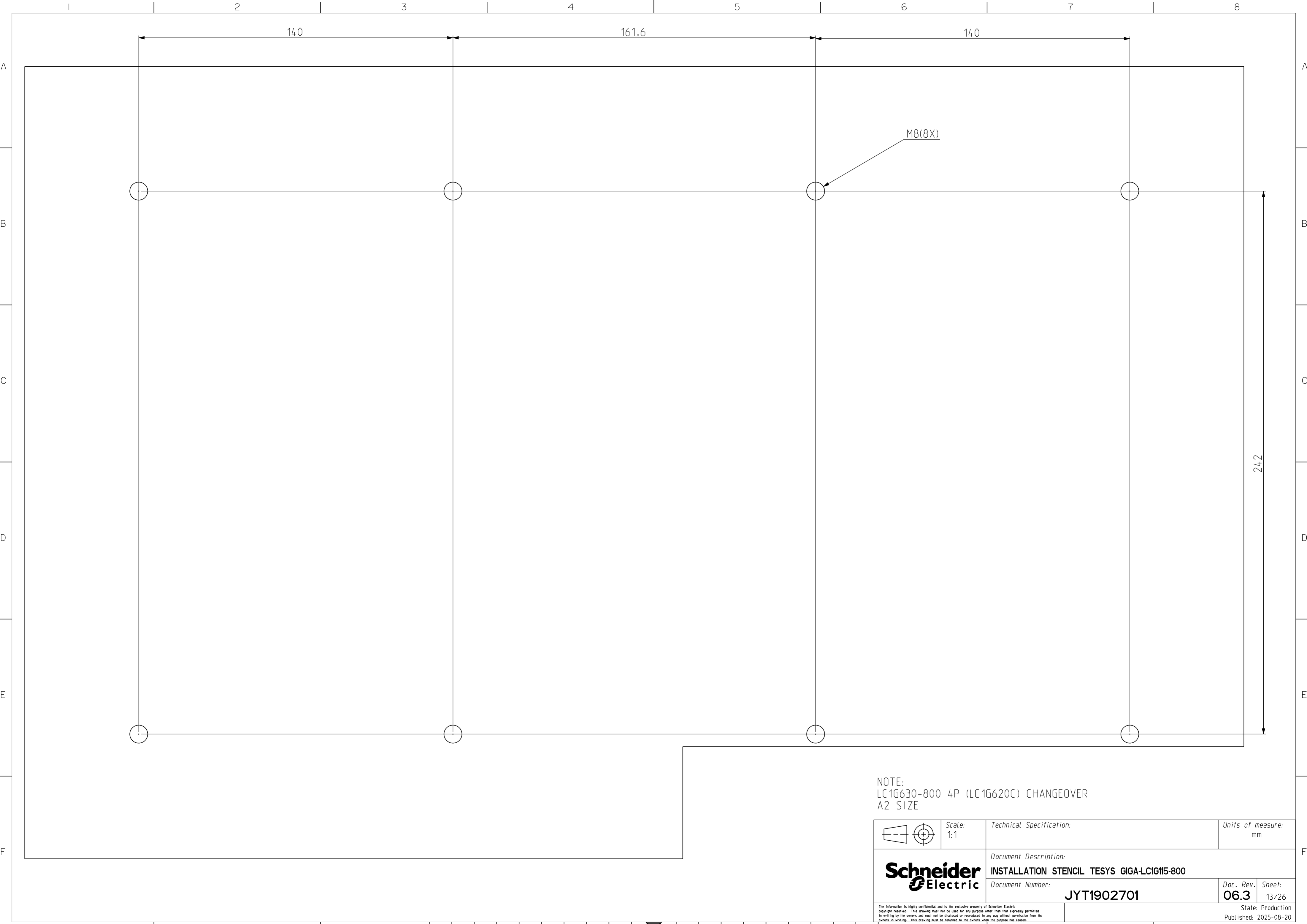
NOTE:
 LC1G630-800 (LC1G620C) + LR9G630 Direct Mounting
 A2 SIZE

	Scale: 1:1	Technical Specification:	Units of measure: mm
--	---------------	--------------------------	-------------------------

	Document Description: INSTALLATION STENCIL TESYS GIGA-LCIG115-800		Doc. Rev. Sheet:
	Document Number: JYT1902701	06.3 12/26	

The information is highly confidential and is the exclusive property of Schneider Electric. This drawing must not be used for any purpose other than that expressly permitted in writing by the owners and must not be disclosed or reproduced in any way without permission from the owners in writing. This drawing must be returned to the owners when the purpose has ceased.

State: Production
 Published: 2025-08-20
 Original format A2



140

161.6

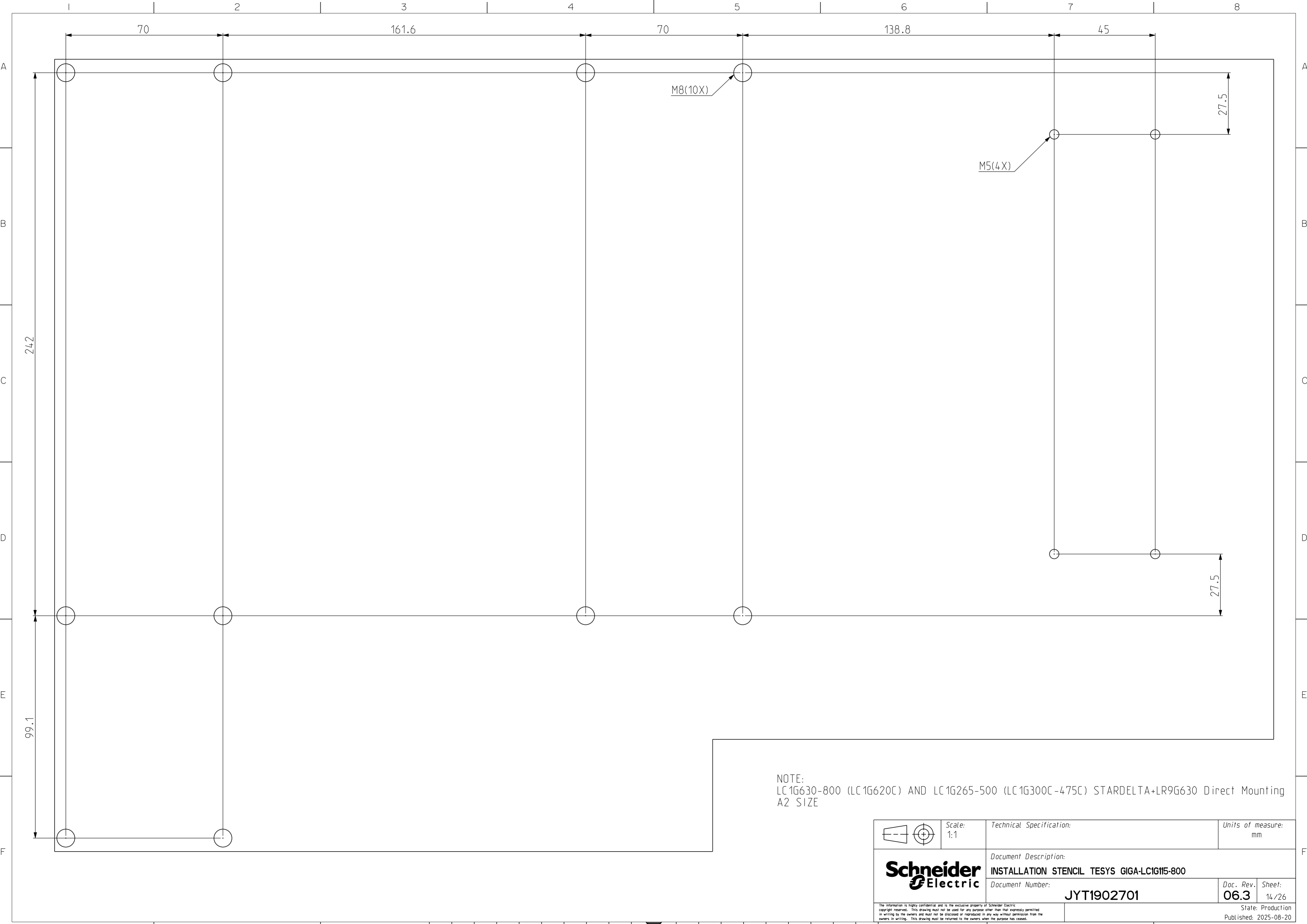
140

242

M8(8X)

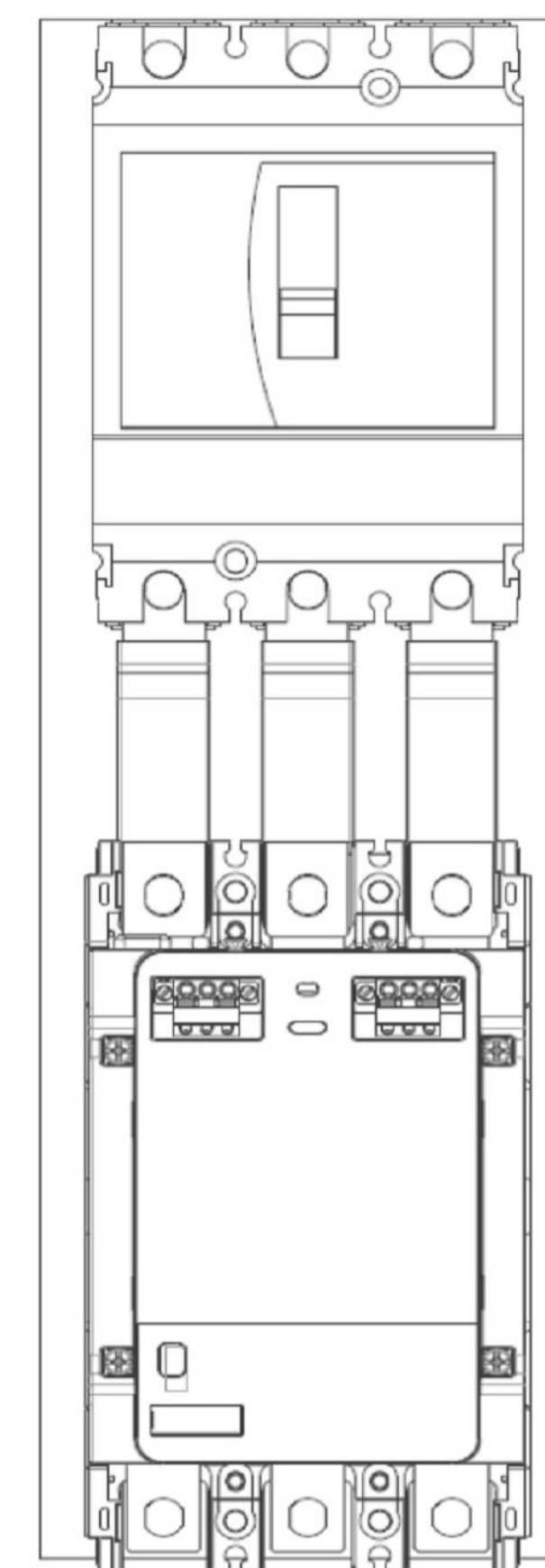
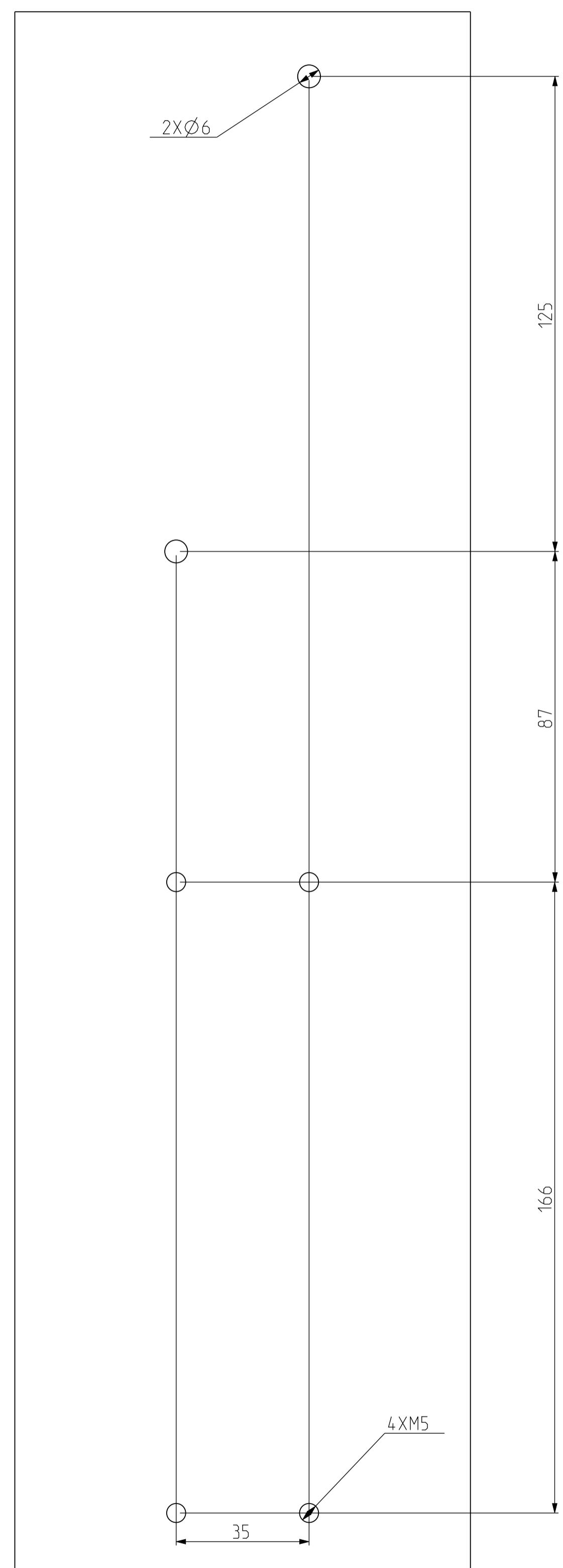
NOTE:
LC 1G630-800 4P (LC 1G620C) CHANGEOVER
A2 SIZE

	Scale: 1:1	Technical Specification:	Units of measure: mm
		Document Description: INSTALLATION STENCIL TESYS GIGA-LC1G115-800	
		Document Number: JYT1902701	Doc. Rev. Sheet: 06.3 13/26
<small>The information is highly confidential and is the exclusive property of Schneider Electric. Copyright reserved. This drawing must not be used for any purpose other than that expressly permitted in writing by the owners and must not be disclosed or reproduced in any way without permission from the owners in writing. This drawing must be returned to the owners when the purpose has ceased.</small>			State: Production Published: 2025-08-20 Original format A2



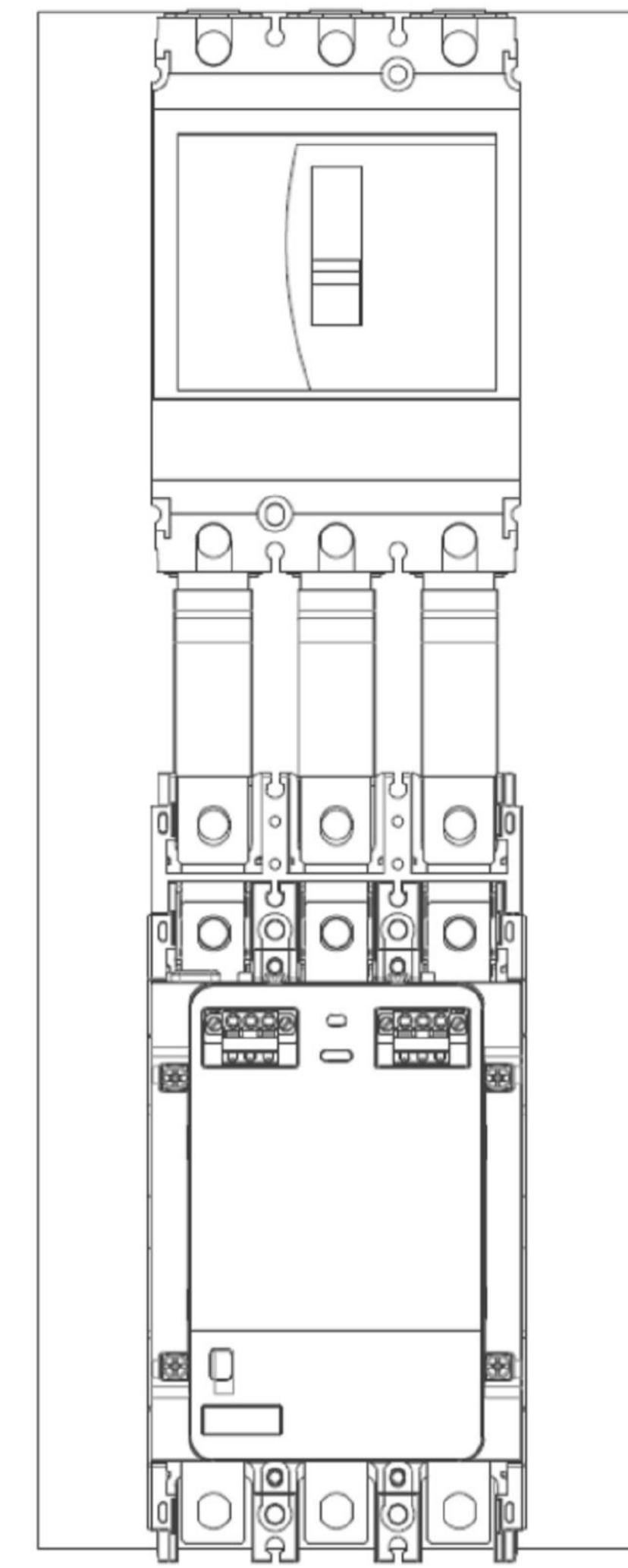
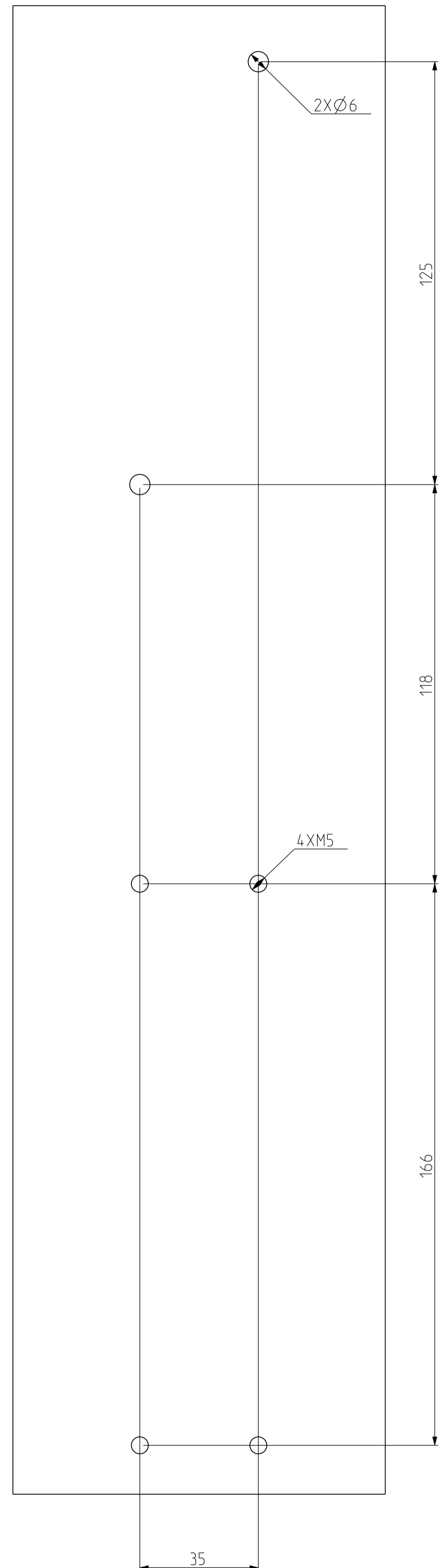
NOTE:
LC1G630-800 (LC1G620C) AND LC1G265-500 (LC1G300C-475C) STARDELTA+LR9G630 Direct Mounting
A2 SIZE

	Scale: 1:1	Technical Specification:	Units of measure: mm
	Document Description: INSTALLATION STENCIL TESYS GIGA-LCIG115-800		
Document Number: JYT1902701		Doc. Rev. 06.3	Sheet: 14/26
<small>The information is highly confidential and is the exclusive property of Schneider Electric. Copyright reserved. This drawing must not be used for any purpose other than that expressly permitted in writing by the owners and must not be disclosed or reproduced in any way without permission from the owners in writing. This drawing must be returned to the owners when the purpose has ceased.</small>			State: Production Published: 2025-08-20 Original format A2



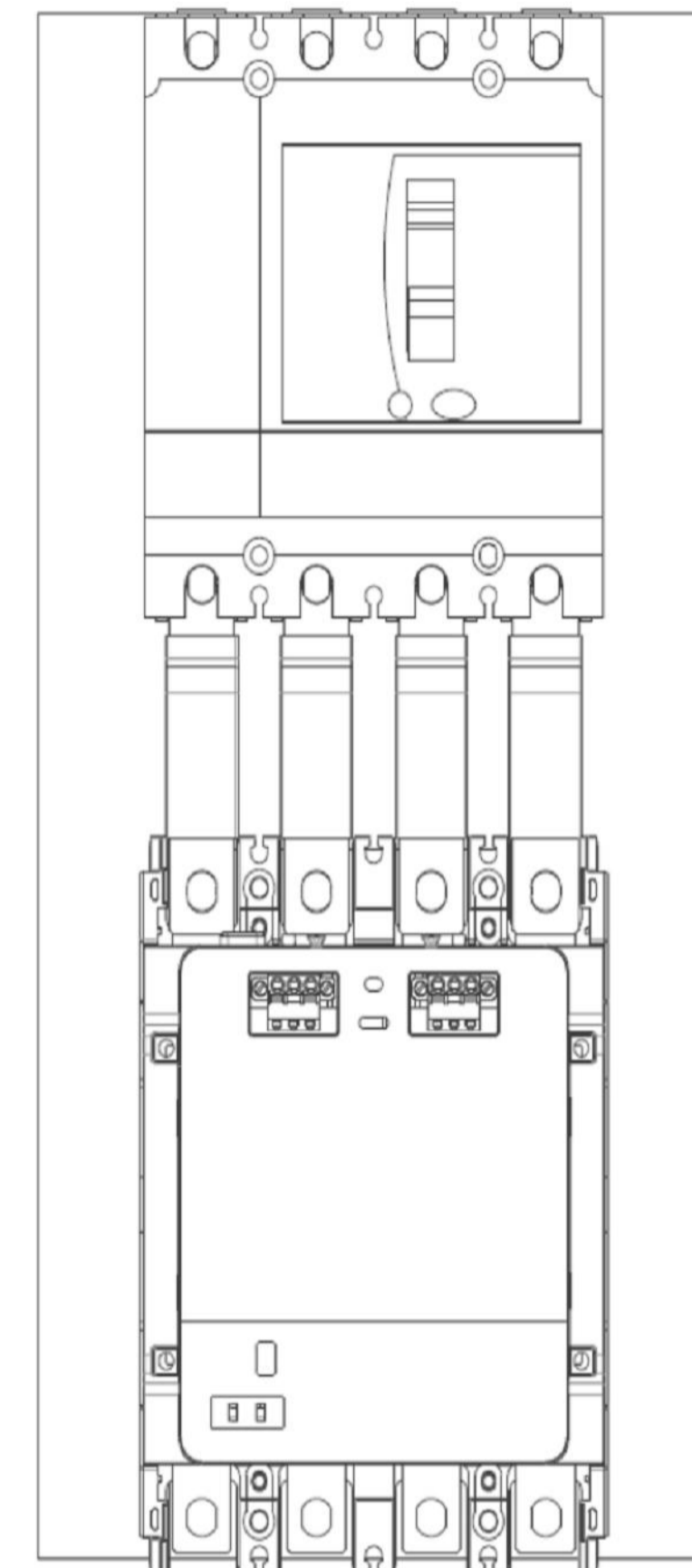
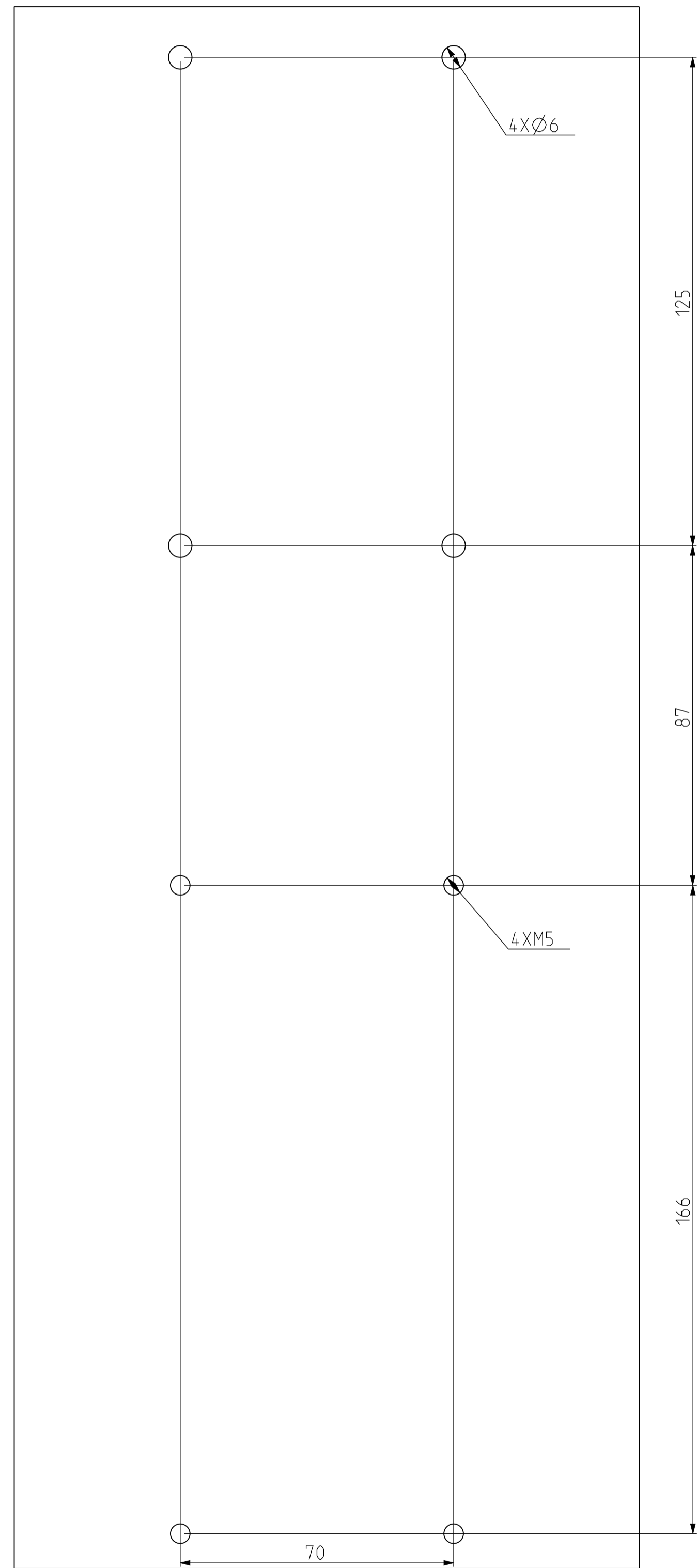
Installation Note
 NSX100-250 - Flexible bar - LC1G115-225 3P (LC1G205C-245C 3P)

	Scale: 1:1	Technical Specification:	Units of measure: mm
	Document Description: INSTALLATION STENCIL TESYS GIGA-LC1G115-800		Doc. Rev. Sheet: 06.3 15/26
Document Number: JYT1902701		State: Production Published: 2025-08-20	



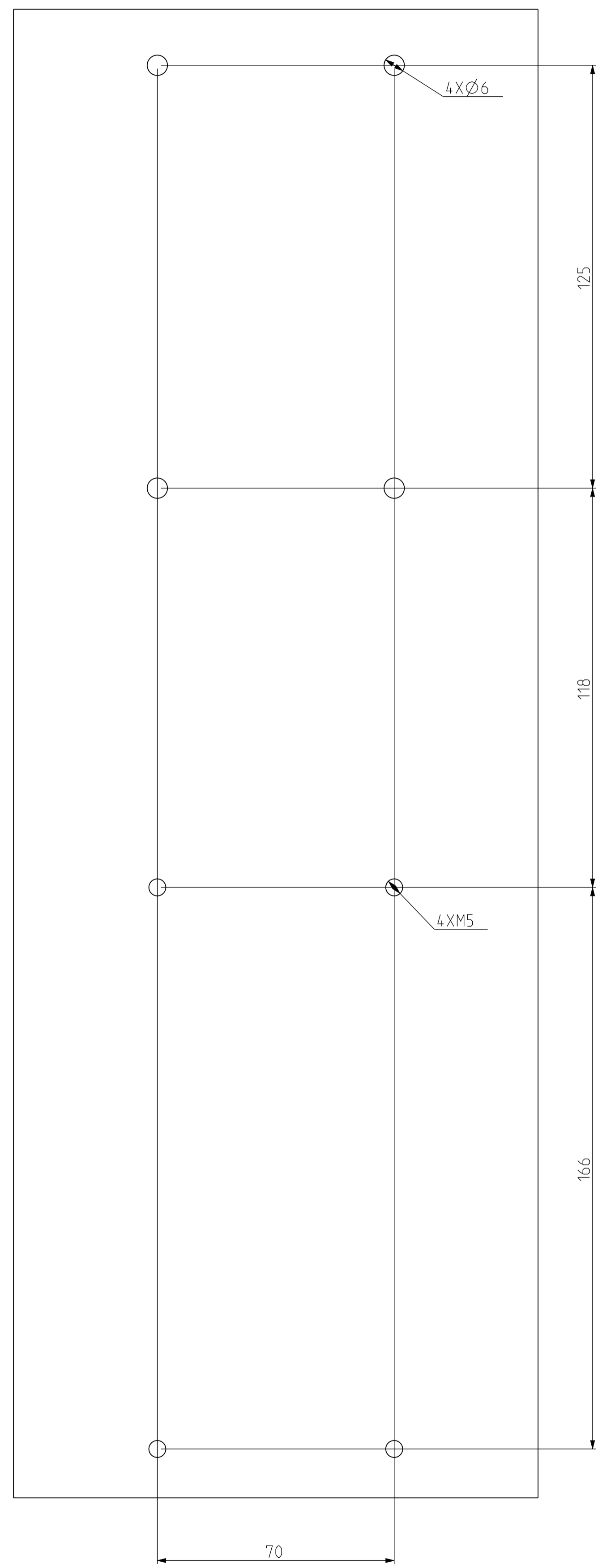
Installation Note
 NSX100-250 - Flexible bar - Cable memory - LC1G115-225 3P (LC1G205-245C 3P)

	Scale: 1:1	Technical Specification:	Units of measure: mm
	Document Description: INSTALLATION STENCIL TESYS GIGA-LCIG115-800		
Document Number: JYT1902701		Doc. Rev.: 06.3	Sheet: 16/26
<small>The information is highly confidential and is the exclusive property of Schneider Electric. It is not to be disclosed or reproduced in any way without express permission from the owners. This drawing may be returned to the owners when the surplus has ceased.</small>			State: Production Published: 2025-08-20 Original format

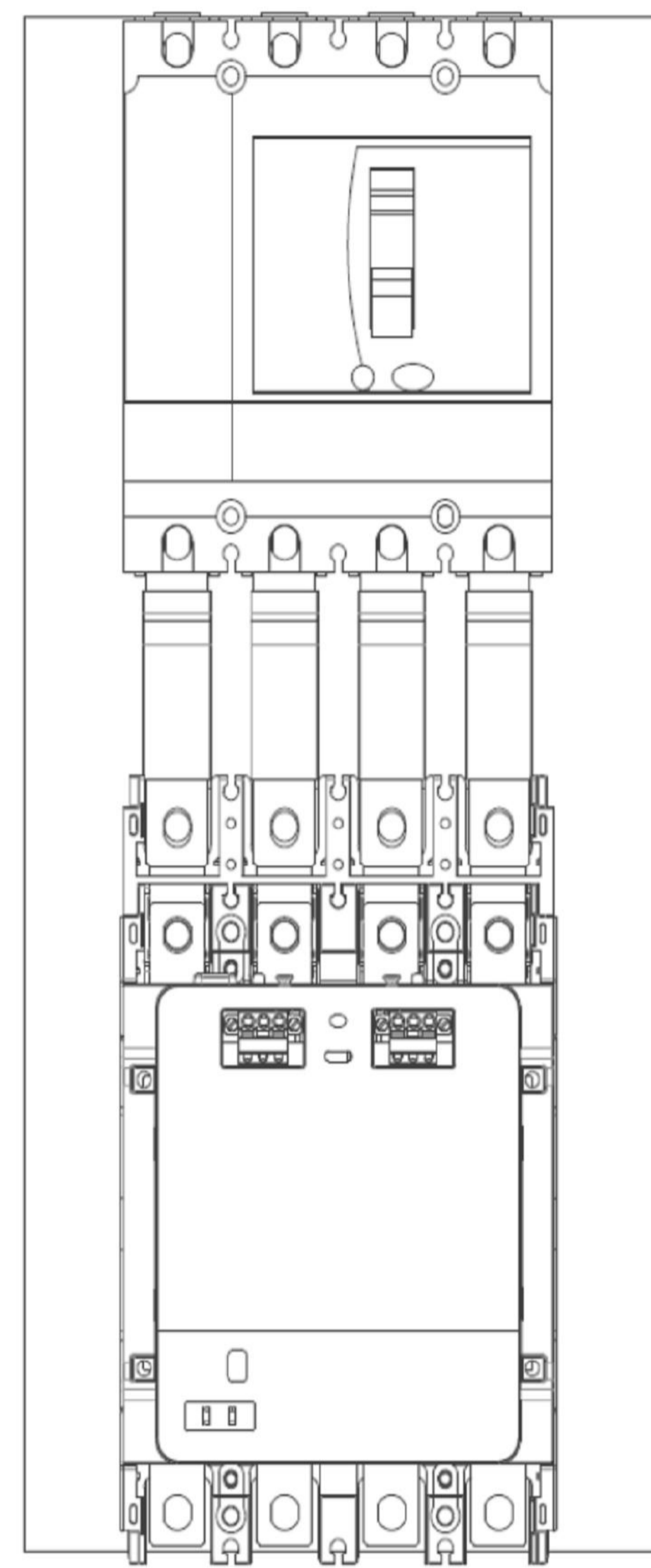


Installation Note
 NSX100-250 - Flexible bar - LC1G115-225 4P

	Scale: 1:1	Technical Specification:	Units of measure: mm
	Document Description: INSTALLATION STENCIL TESYS GIGA-LC1G115-800		Doc. Rev. Sheet: 06.3 17/26
Document Number: JYT1902701		State: Production Published: 2025-08-20	

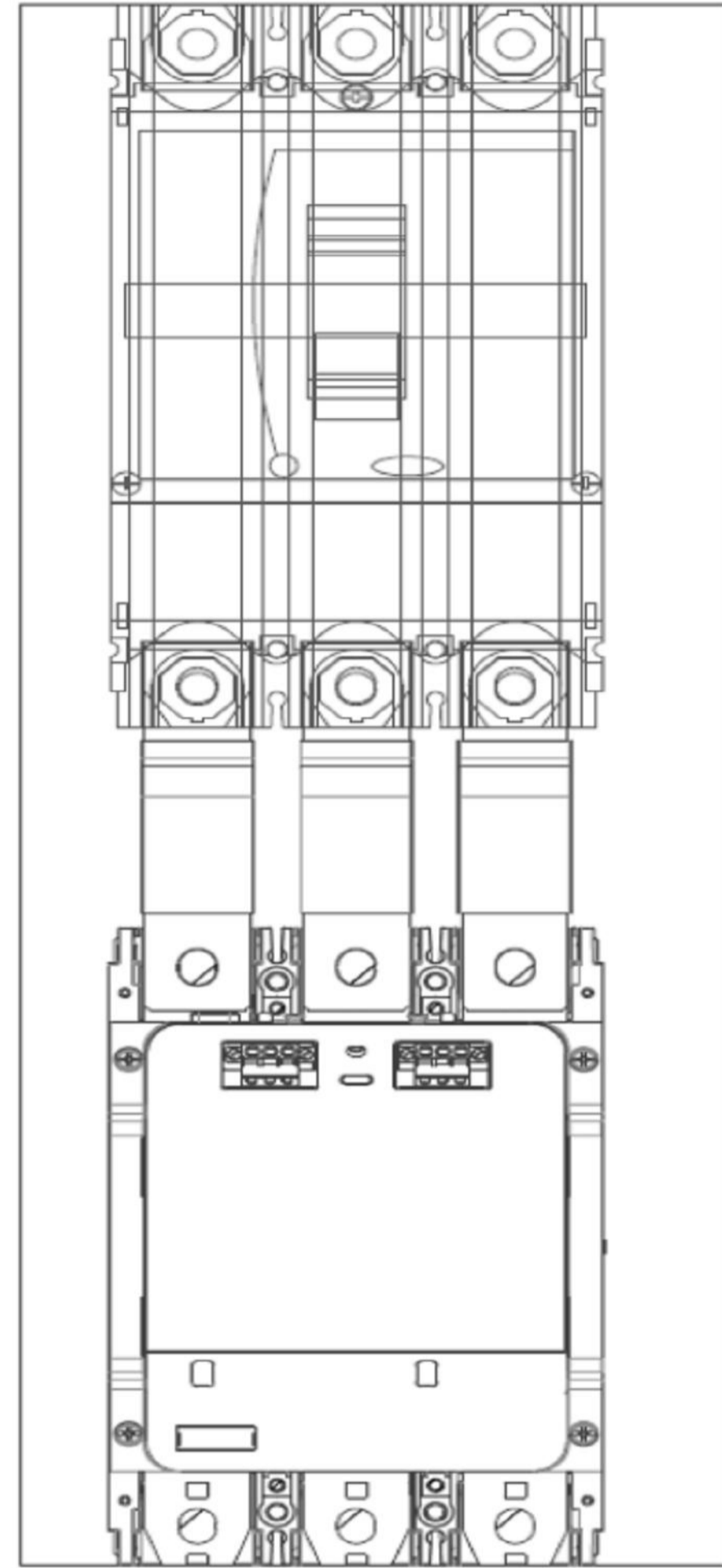
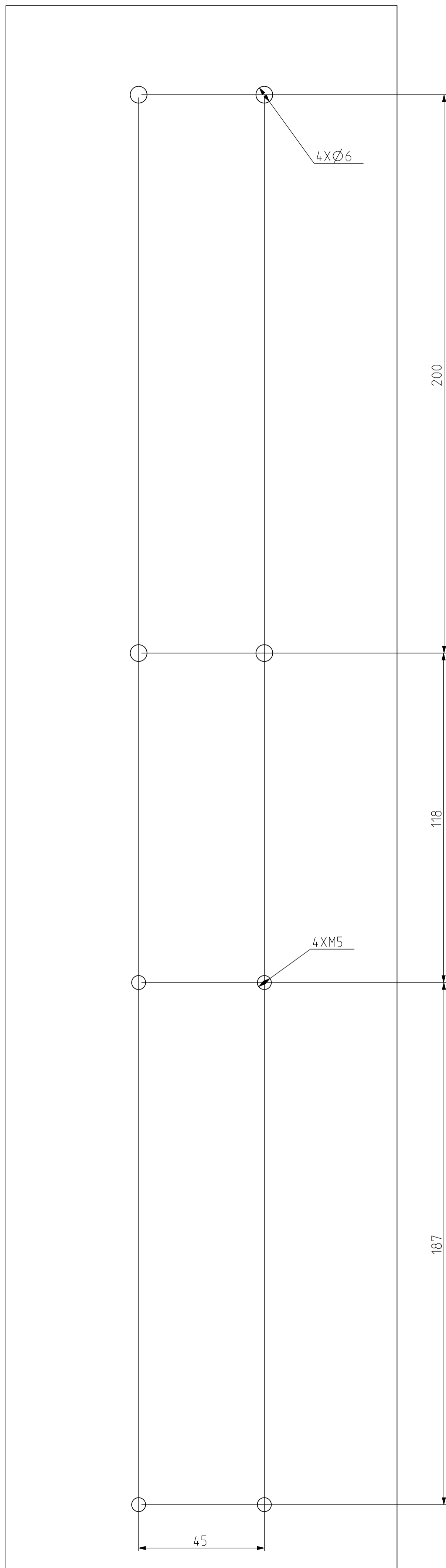


SCALE 1:1



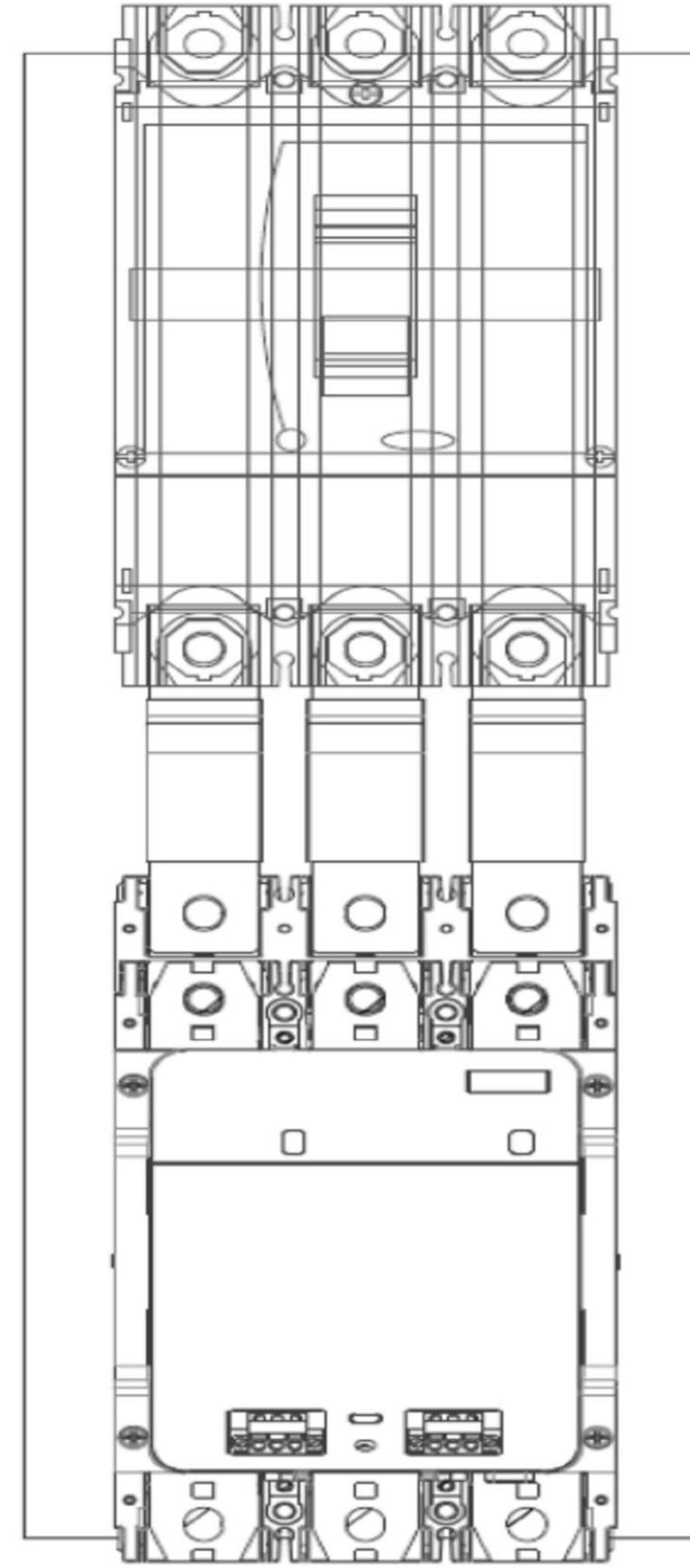
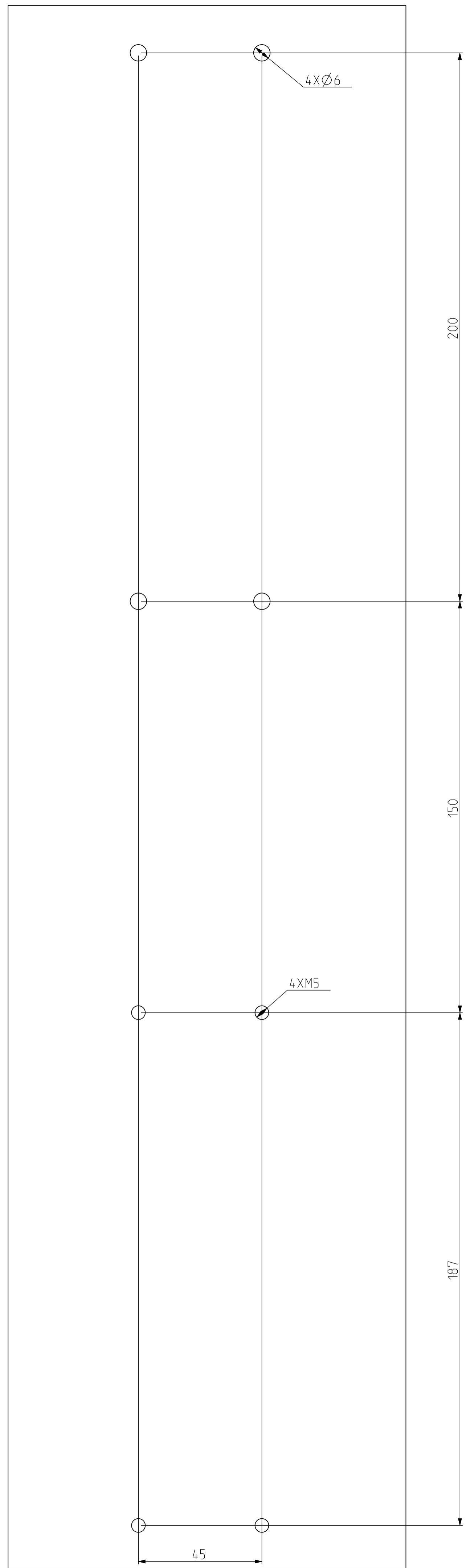
Installation Note
 NSX100-250 - Flexible bar - Cable memory - LC1G115-225 4P

	Scale: 1:1	Technical Specification:	Units of measure: mm
	Document Description: INSTALLATION STENCIL TESYS GIGA-LC1G115-800		
Document Number: JYT1902701		Doc. Rev. 06.3	Sheet: 18/26
<small>The information is highly confidential and is the exclusive property of Schneider Electric. Copyright reserved. This drawing may not be used for any purpose other than the expressy permitted in writing by the customer and may not be disclosed or reproduced in any way without permission from the expressy in writing. This drawing shall be returned to the expressy when the drawing has ceased.</small>			State: Production Published: 2025-08-20 Original format



Installation Note
 NSX400-630 - Flexible bar - LC1G265-500 3P (LC1G300-475C 3P)

	Scale: 1:1	Technical Specification:	Units of measure: mm
	Document Description: INSTALLATION STENCIL TESYS GIGA-LCIG115-800		
	Document Number: JYT1902701	Doc. Rev. 06.3	Sheet: 19/26
<small>The information is highly confidential and is the exclusive property of Schneider Electric. It is not to be disclosed or reproduced in any way without permission from the owner in writing. This drawing shall be returned to the owner when the project has ended.</small>			State: Production Published: 2025-08-20 Original format



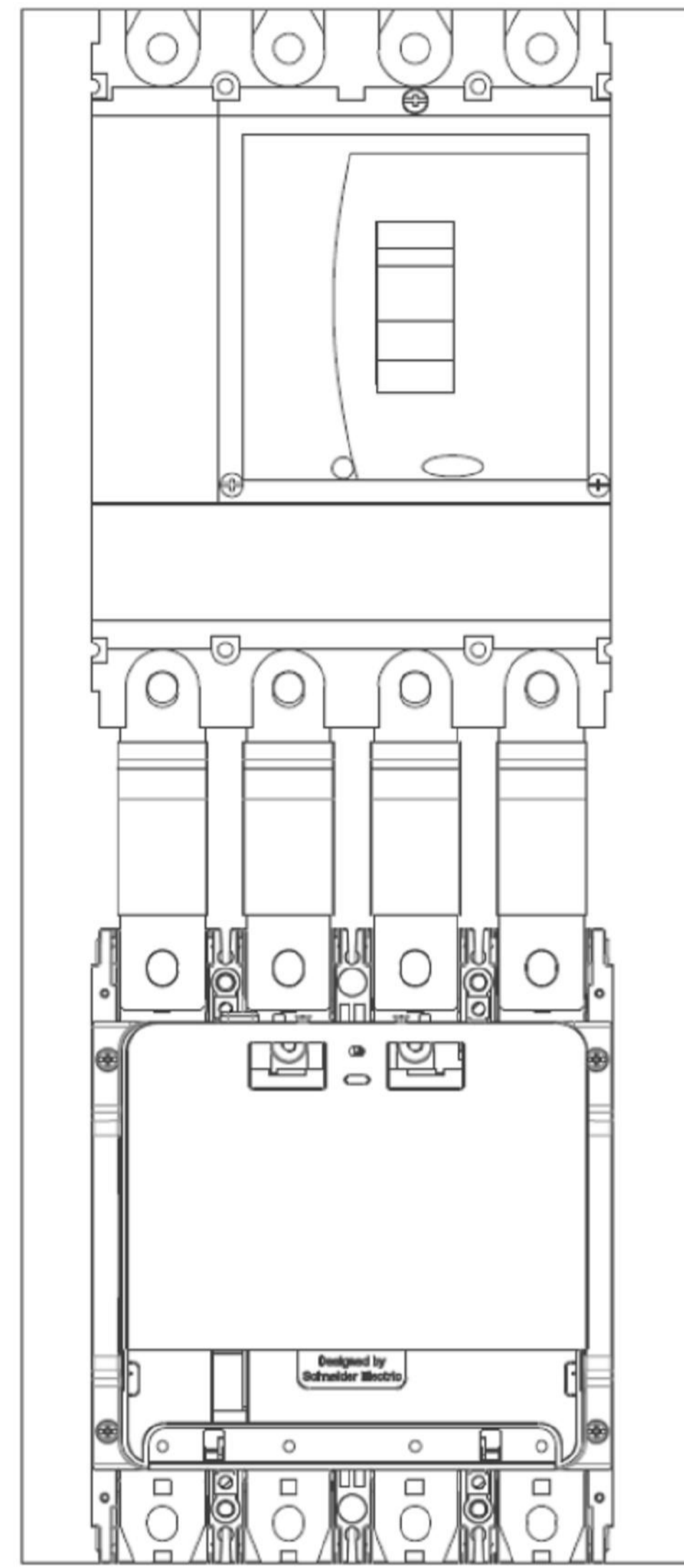
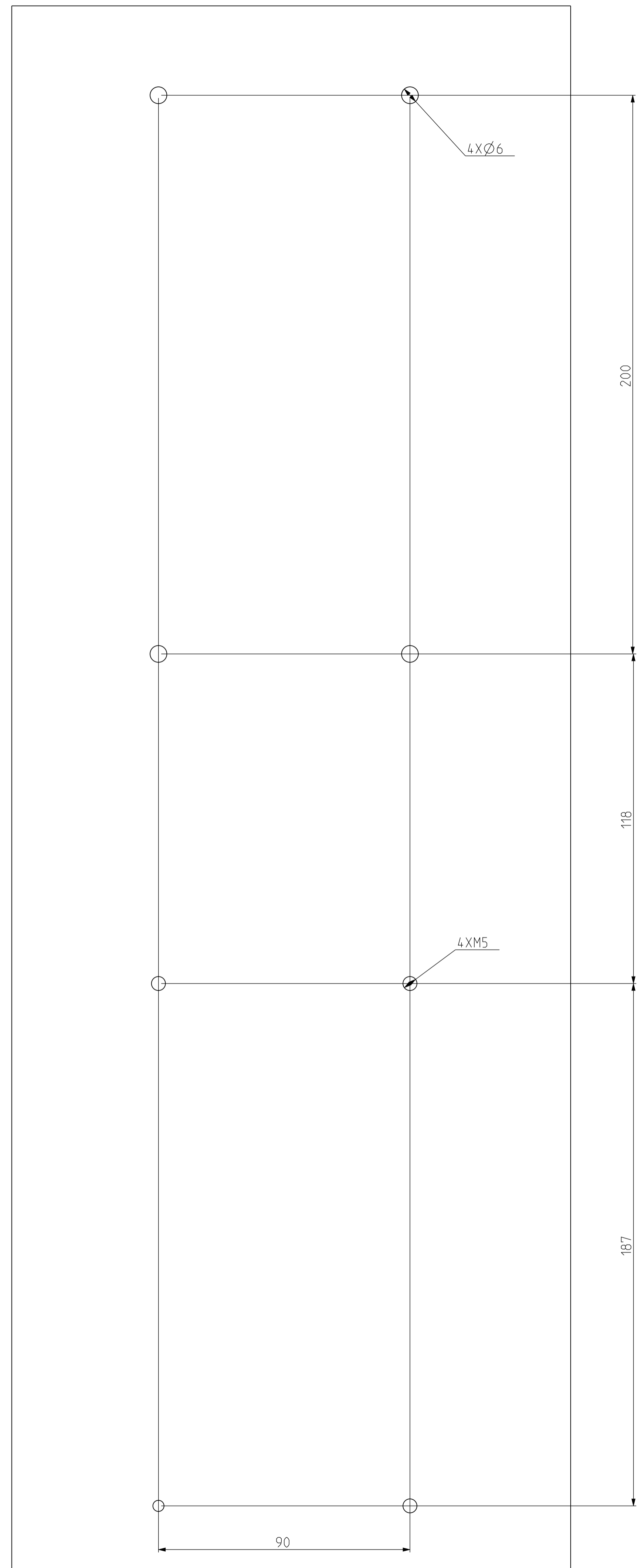
SCALE 1:1

Installation Note
 NSX400-630 - Flexible bar - Cable memory - LC1G265-500 3P (LC1G300-475C 3P)

	Scale: 1:1	Technical Specification:	Units of measure: mm
	Document Description: INSTALLATION STENCIL TESYS GIGA-LC1G115-800		Doc. Rev. Sheet: 06.3 20/26
Document Number: JYT1902701		State: Production Published: 2025-08-20	

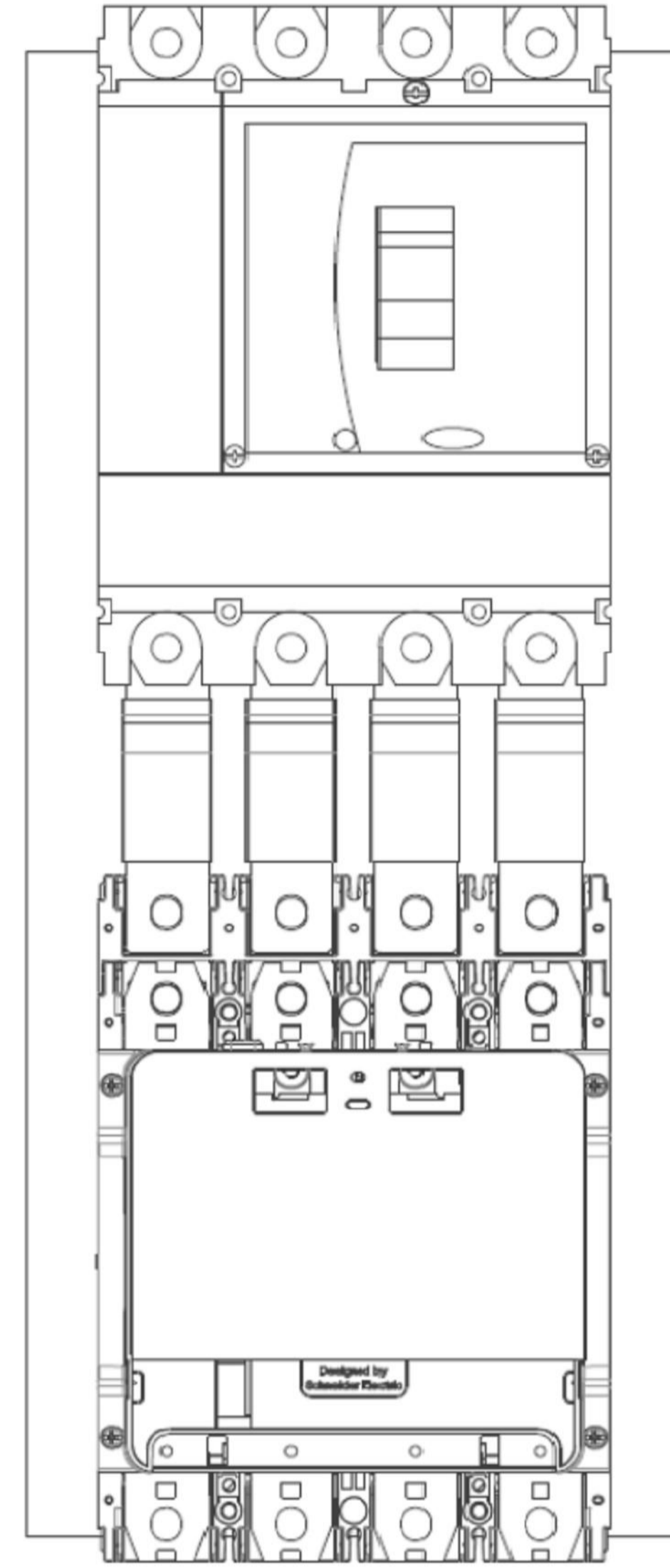
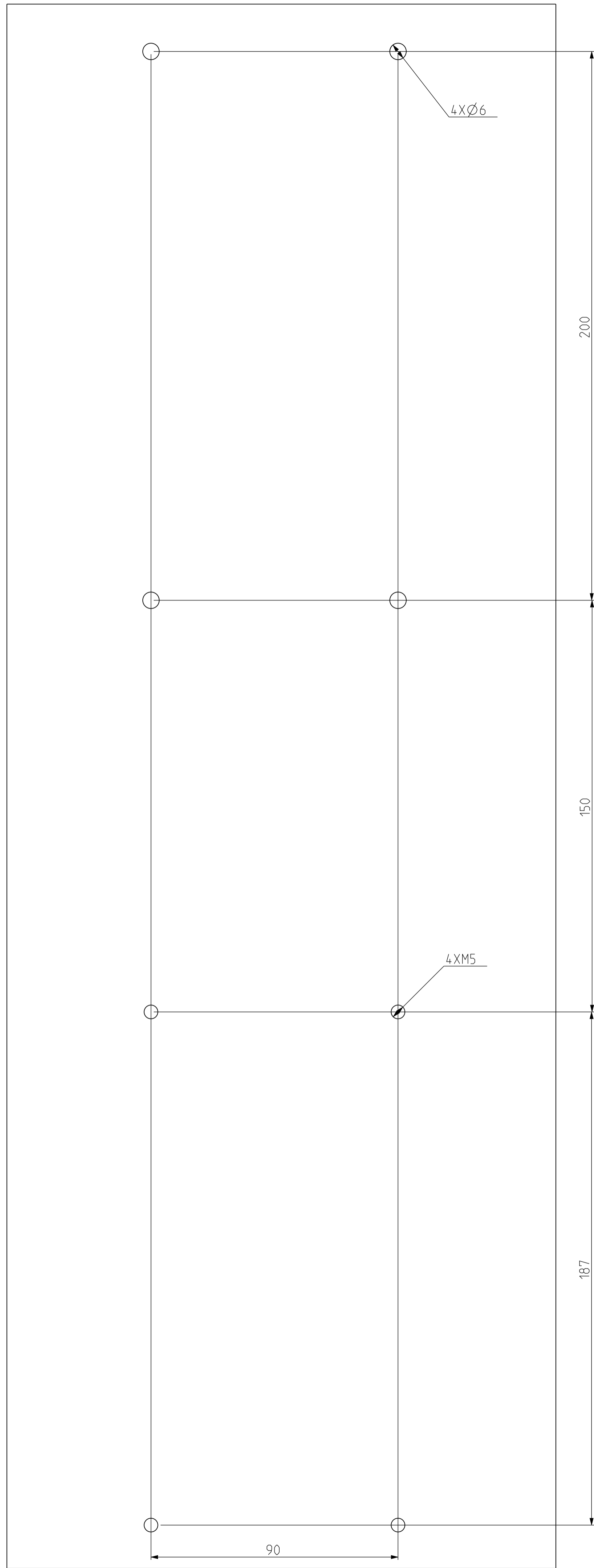
The information is highly confidential and is the exclusive property of Schneider Electric. It is not to be used for any purpose other than that expressly permitted in writing by the issuer and may not be disclosed or reproduced in any way without permission from the issuer in writing. This drawing shall be returned to the issuer when the project has closed.

Original format



Installation Note
 NSX400-630 - Flexible bar - LC1G265-500 4P

	Scale: 1:1	Technical Specification:	Units of measure: mm
	Document Description: INSTALLATION STENCIL TESYS GIGA-LC1G115-800		
	Document Number: JYT1902701	Doc. Rev. 06.3	Sheet: 21/26
<small>The information is strictly confidential and is the exclusive property of Schneider Electric. Any disclosure, reproduction, or distribution of this document is strictly prohibited without the express written consent of Schneider Electric. This drawing shall be returned to the issuer when the project has ended.</small>			State: Production Published: 2025-08-20 Original format

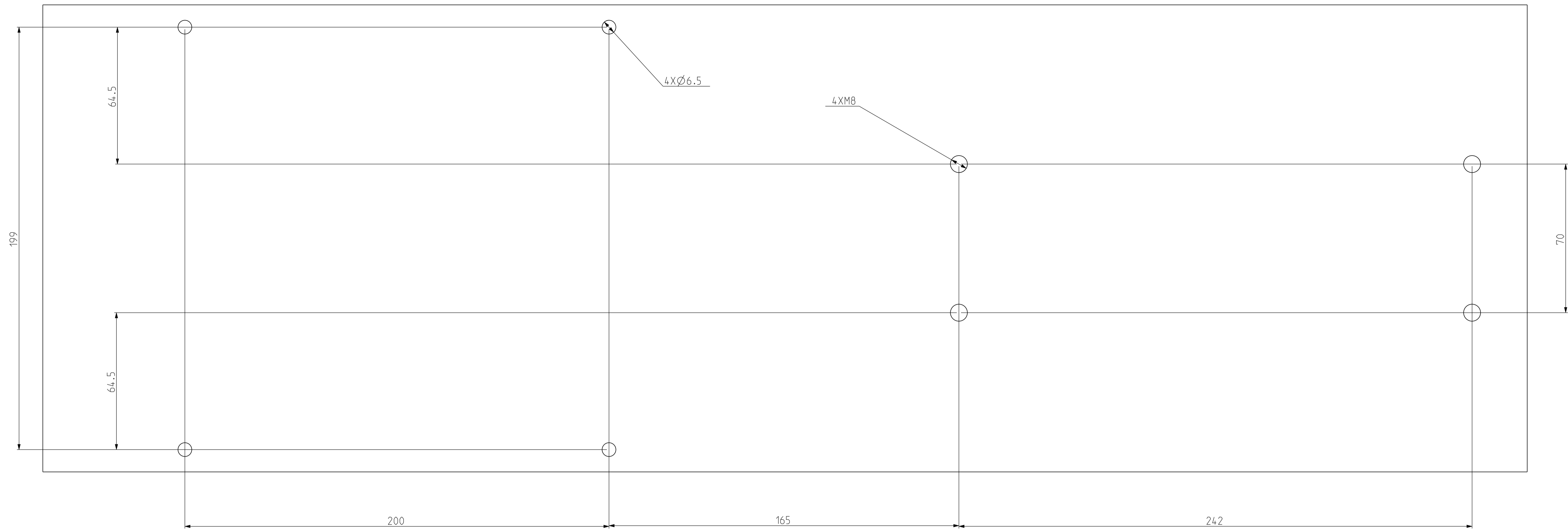


Installation Note
 NSX400-630 - Flexible bar - Cable memory - LC16265-500 4P

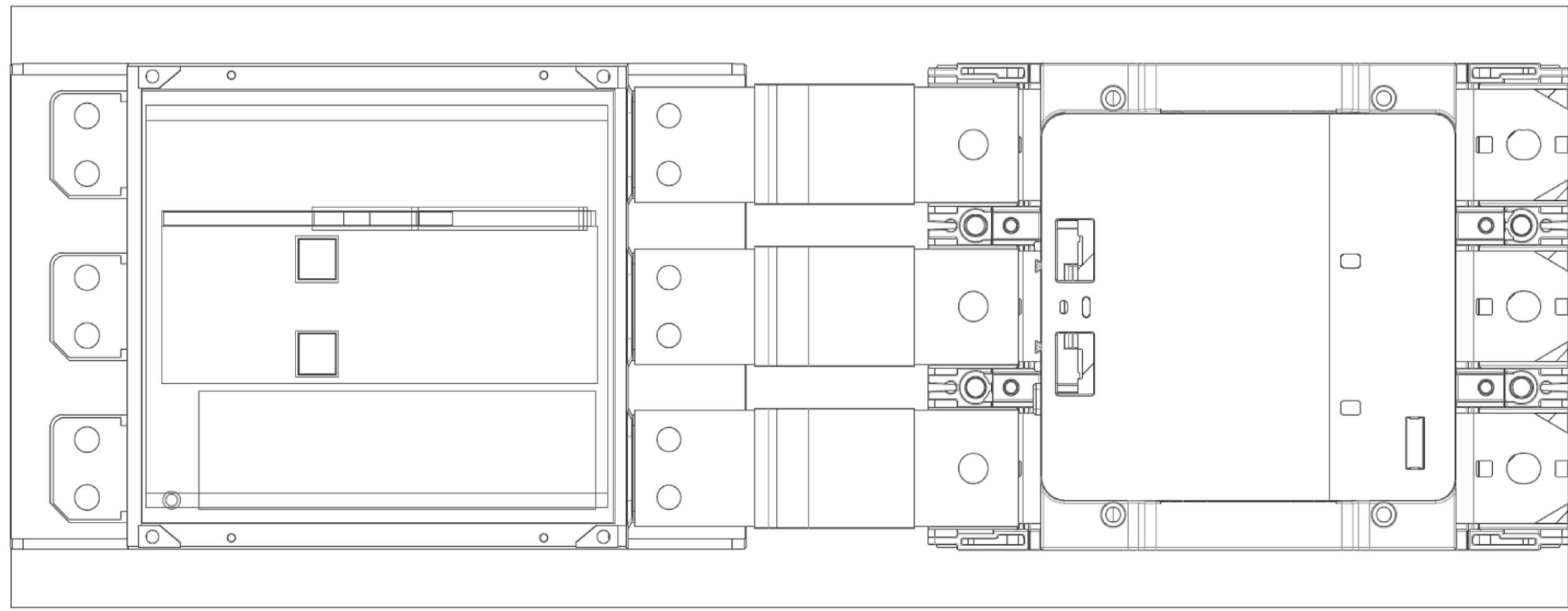
	Scale: 1:1	Technical Specification:	Units of measure: mm
	Document Description: INSTALLATION STENCIL TESYS GIGA-LC16115-800		Doc. Rev. Sheet: 06.3 22/26
Document Number: JYT1902701		State: Production Published: 2025-08-20	

The information is highly confidential and is the exclusive property of Schneider Electric. Copyright reserved. This drawing shall not be used for any purpose other than that expressly permitted in writing by the owner and shall not be disclosed or reproduced in any way without permission from the owner in writing. This drawing shall be controlled by the owner under the drawing file system.

Original format



SCALE 1:1

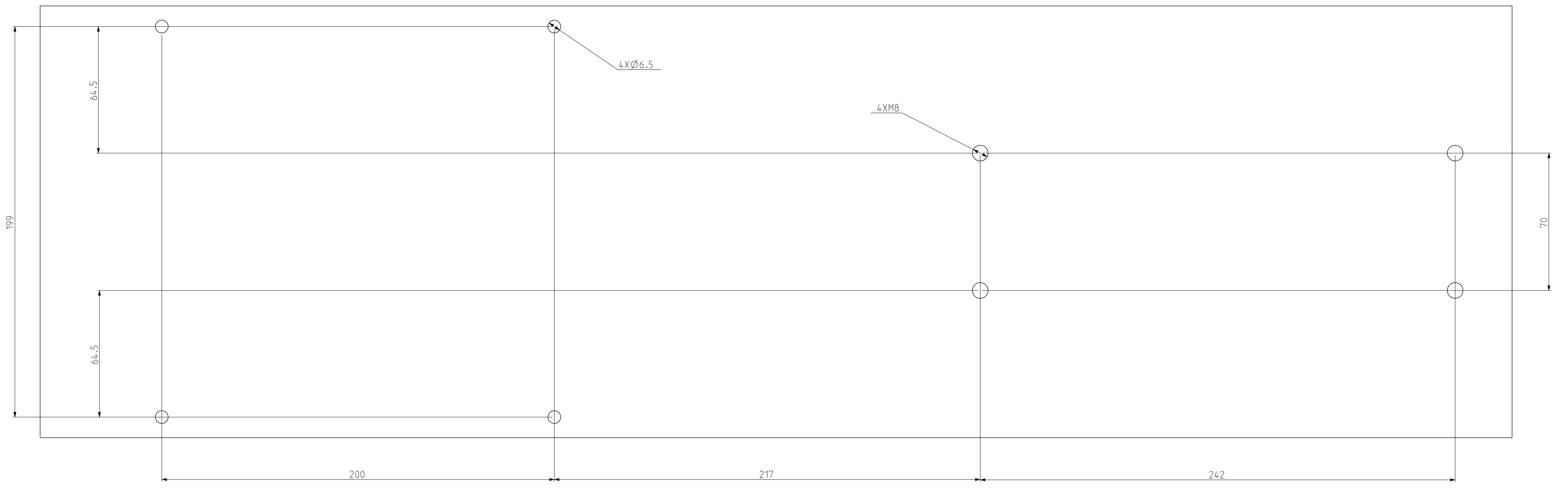


Installation Note
 NSX630-1600 - Flexible bar - LC1G630-800 3P (LC1G620C 3P)

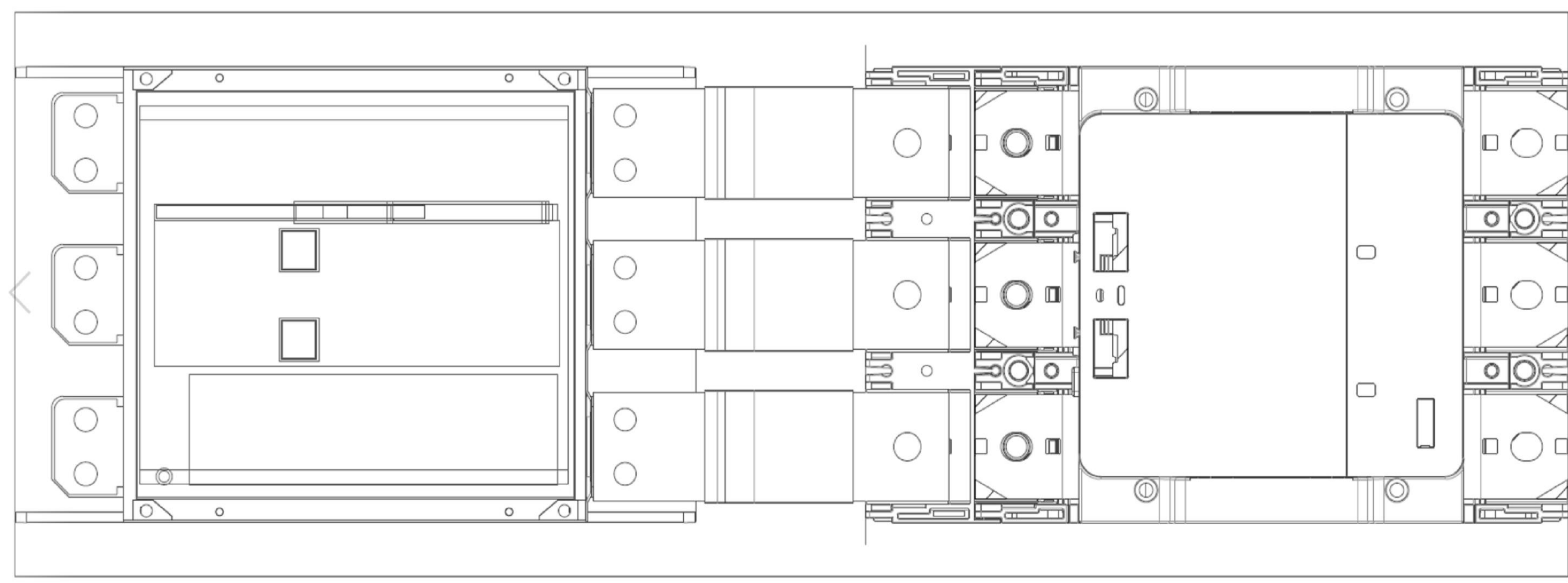
	Scale: 1:1	Technical Specification:	Units of measure: mm
	Document Description: INSTALLATION STENCIL TESYS GIGA-LCIG115-800		Doc. Rev. Sheet: 06.3 23/26
Document Number: JYT1902701		State: Production Published: 2025-08-20	

The information is highly confidential and is the exclusive property of Schneider Electric. It is not to be disclosed or reproduced in any way without permission from the authors or copyright holders. This drawing must be returned to the authors when the drawing has ended.

Original format



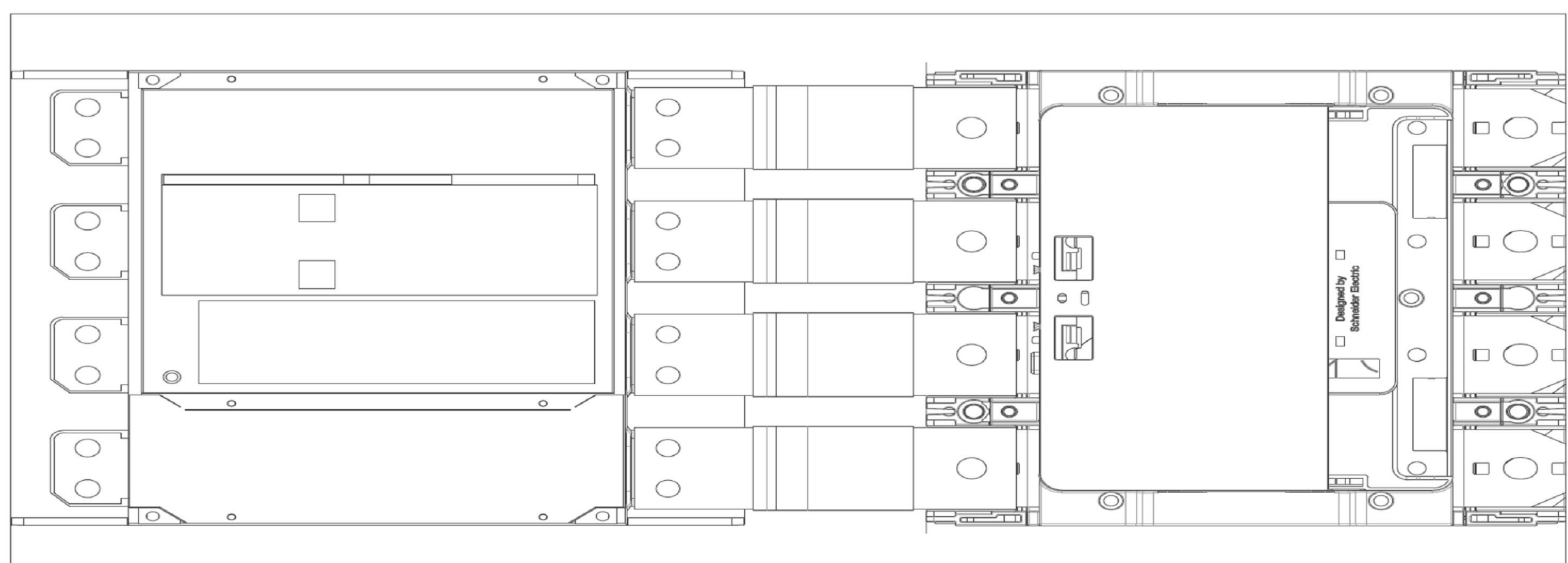
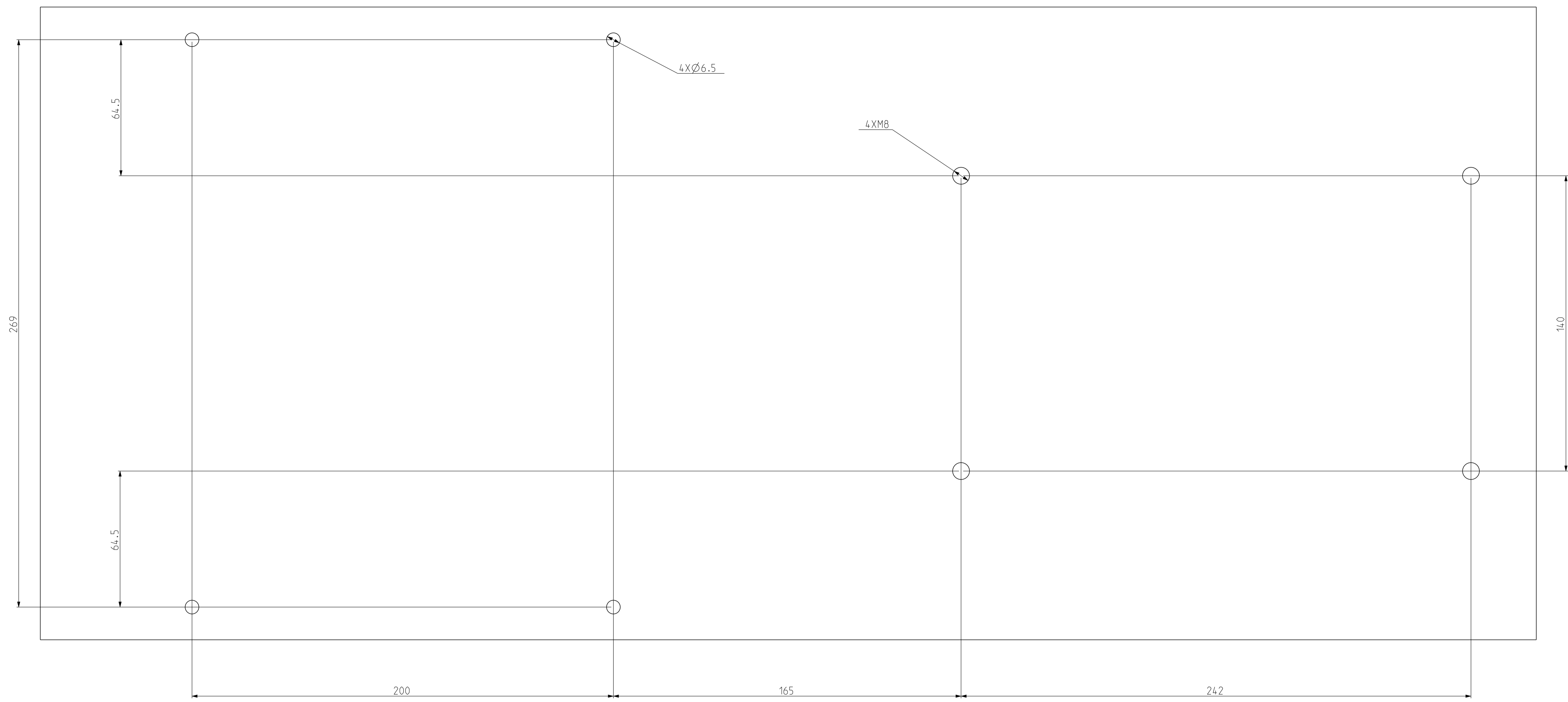
SCALE 1:1



Installation Note
 NSX630-1600 - Flexible bar - Cable memory - LC1G630-800 3P (LC1G620C 3P)

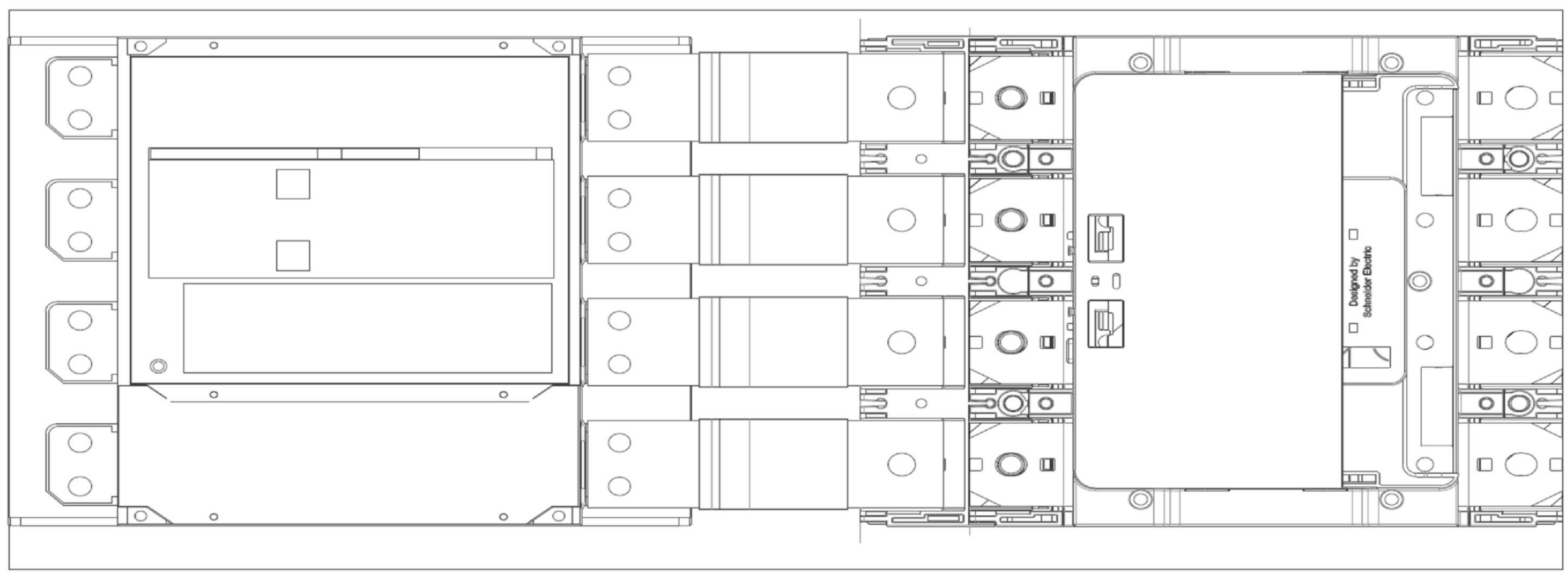
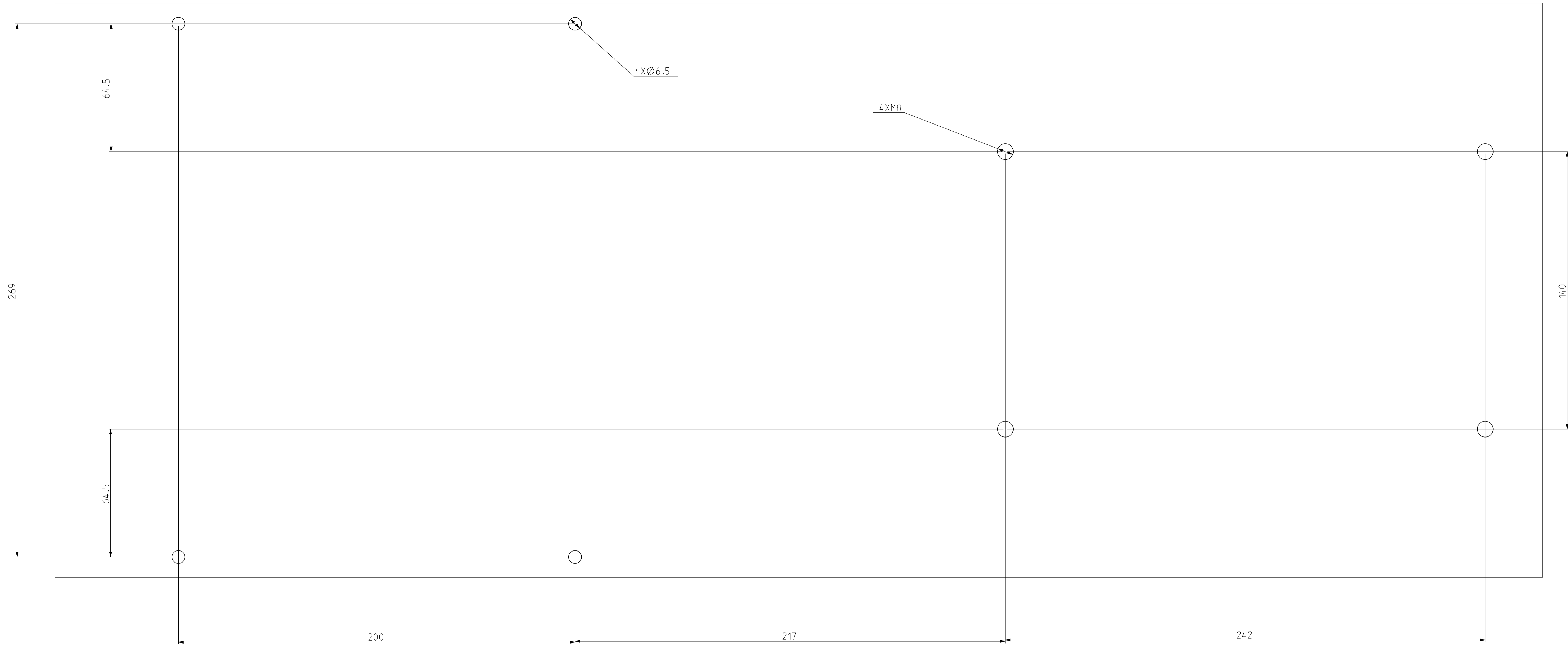
	Scale: 1:1	Technical Specification:	Units of measure: mm
	Document Description: INSTALLATION STENCIL TESYS GIGA-LCIG115-800		Doc. Rev. Sheet: 06.3 24/26
Document Number: JYT1902701		State: Production Published: 2025-08-20	

The information is highly confidential and is the exclusive property of Schneider Electric. It is not to be disclosed or reproduced in any way without permission from the company. This drawing must be retained in the system when the drawing is closed.



Installation Note
 NSX630-1600 - Flexible bar - LC1G630-800 4P

	Scale: 1:1	Technical Specification:	Units of measure: mm
	Document Description: INSTALLATION STENCIL TESYS GIGA-LC1G115-800		
	Document Number: JYT1902701	Doc. Rev. 06.3	Sheet: 25/26
<small>The information is highly confidential and is the exclusive property of Schneider Electric. Copyright reserved. This drawing shall not be used for any purpose other than that expressly permitted in writing by the owners and shall not be disclosed or reproduced in any way without permission from the owner. In writing. This drawing shall be returned to the owner when the project has ended.</small>			State: Production Published: 2025-08-20 Original format



Installation NSX630-1600 - Flexible bar - Cable memory - LC1G630-800 4P

	Scale: 1:1	Technical Specification:	Units of measure: mm
	Document Description: INSTALLATION STENCIL TESYS GIGA-LC1G115-800		
	Document Number: JYT1902701	Doc. Rev. 06.3	Sheet: 26/26
<small>The information is highly confidential and is the exclusive property of Schneider Electric. It is not to be disclosed or reproduced in any way without permission from the Schneider Electric Group. This drawing may be reserved by the company under the copyright law.</small>			State: Production Published: 2025-08-20 Original format